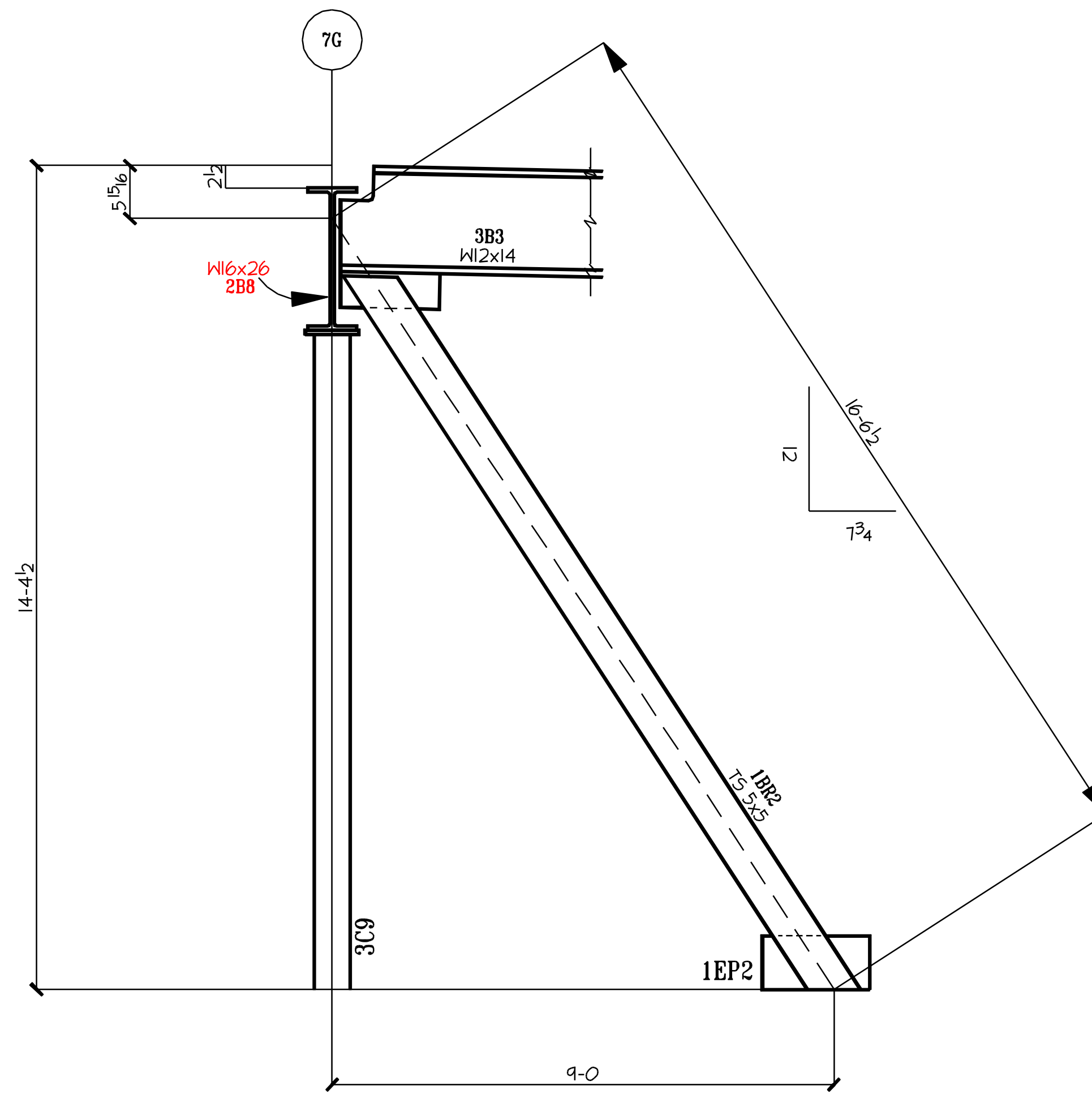
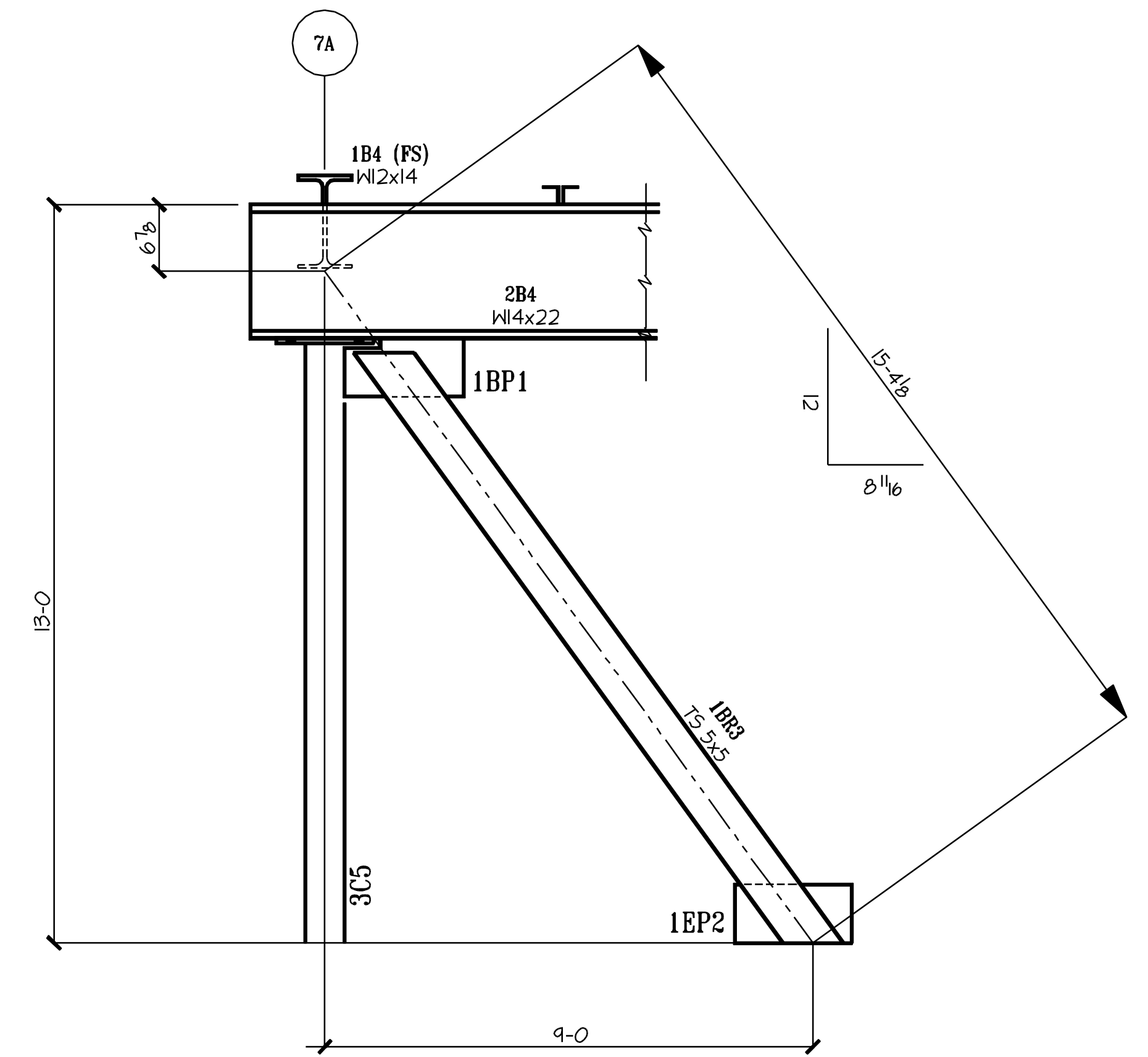


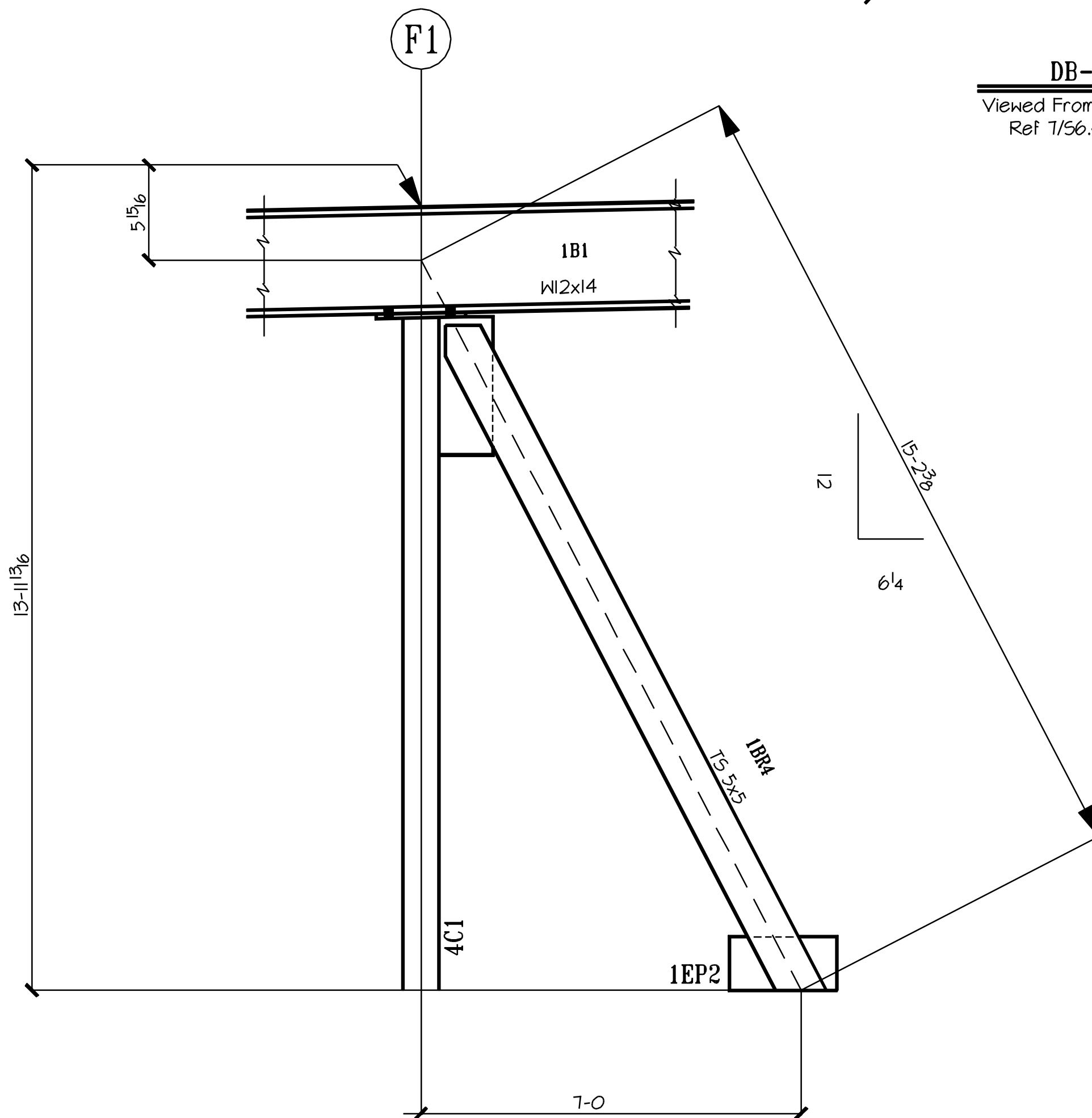
DB-G7 Brace
Viewed From Outside of Building
Ref 1/56.4 Grid Line G-7



DB-7G Brace
Viewed From Outside of Building
Ref 1/56.4 Grid Line 7-G



DB-7A Brace
Viewed From Outside of Building
Ref 1/56.4 Grid Line 7-A



DB-F1 Brace
Viewed From Outside of Building
Ref 1/56.4 Grid Line F-1

Useable Template Mark Letters
abcdefghijklmnopqrstuvwxyz

- DESCRIPTION OF REVISIONS MADE TO DRAWING -				
1				
2				
3				
	REVISION DESCRIPTION	DATE	MADE BY	CHK BY
	SHOPED			
REF DWG E2 & S2.2				

MATERIAL GRADE SHELL BE	A36	U.N.O.
WF SHAPES	A992	TUBES A500 Gr B
CHANNELS	A992	PIPES A501 or A53
SCHEDULE	SF-1	56.1
COATING	One 5/C Red Oxide Primer	
13/16" Ø	1/4"	E700XX
OPEN HOLE	FILLETS	ELECTRODES
APPROVAL	6-6-08	TO SHOP ?
DETAIL DY 5-30-08		
JOB # 1541		
SHEET # E 3		