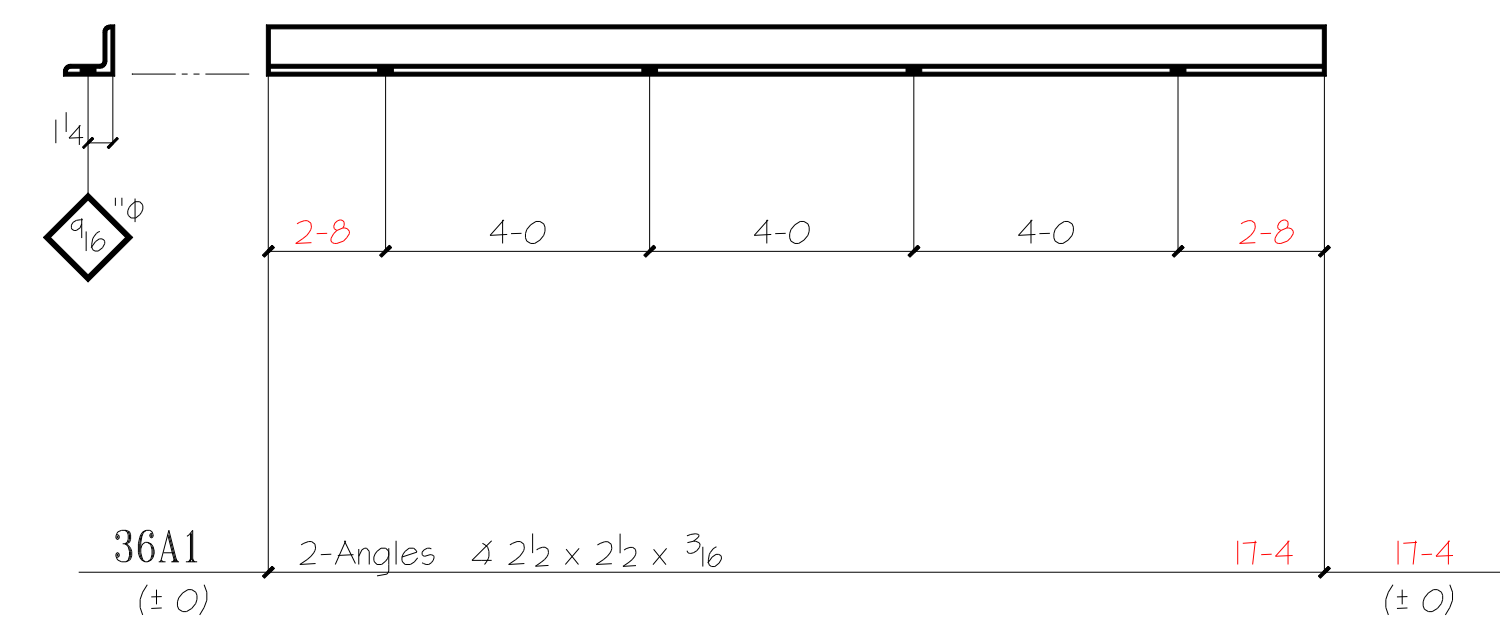
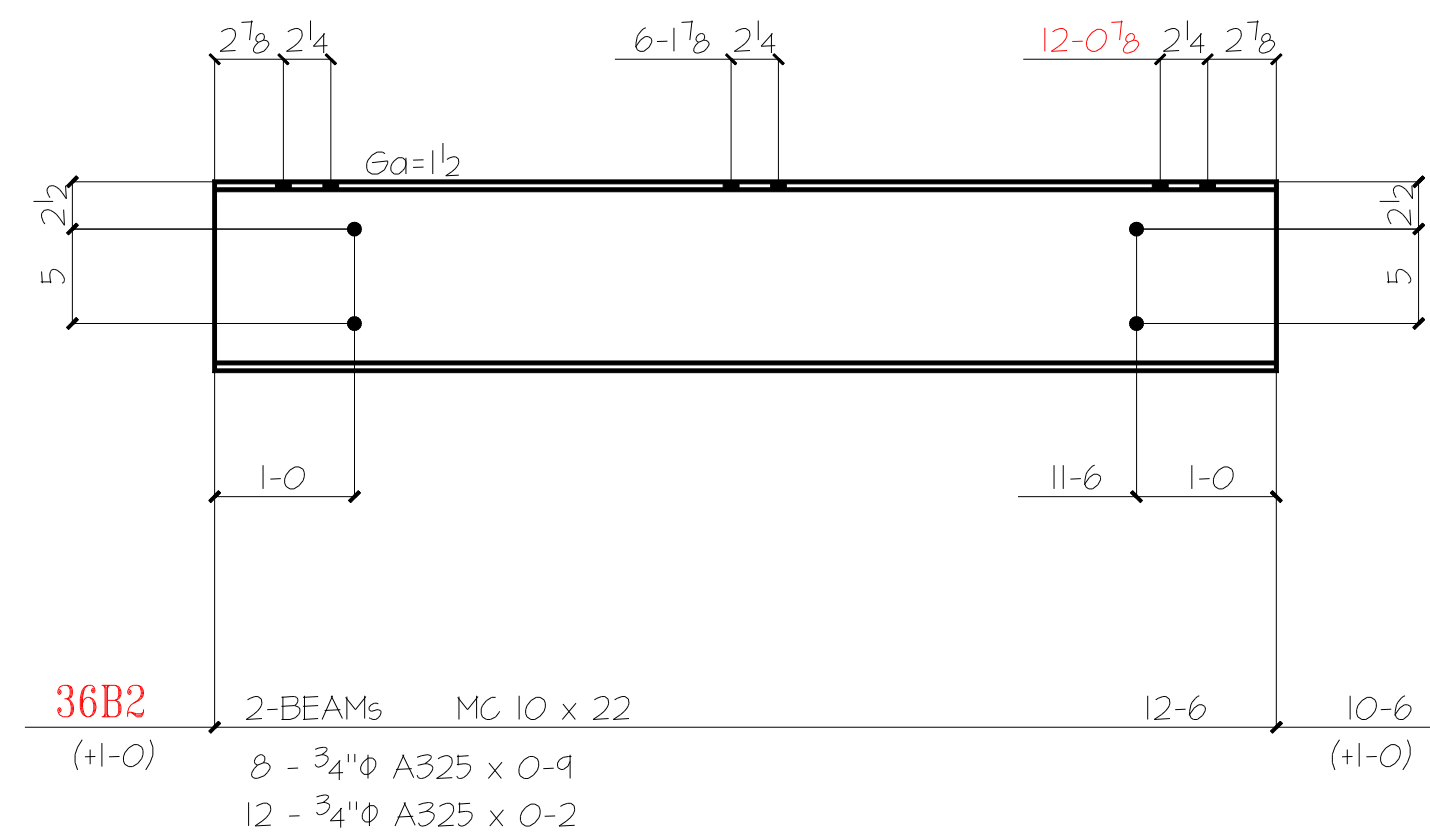
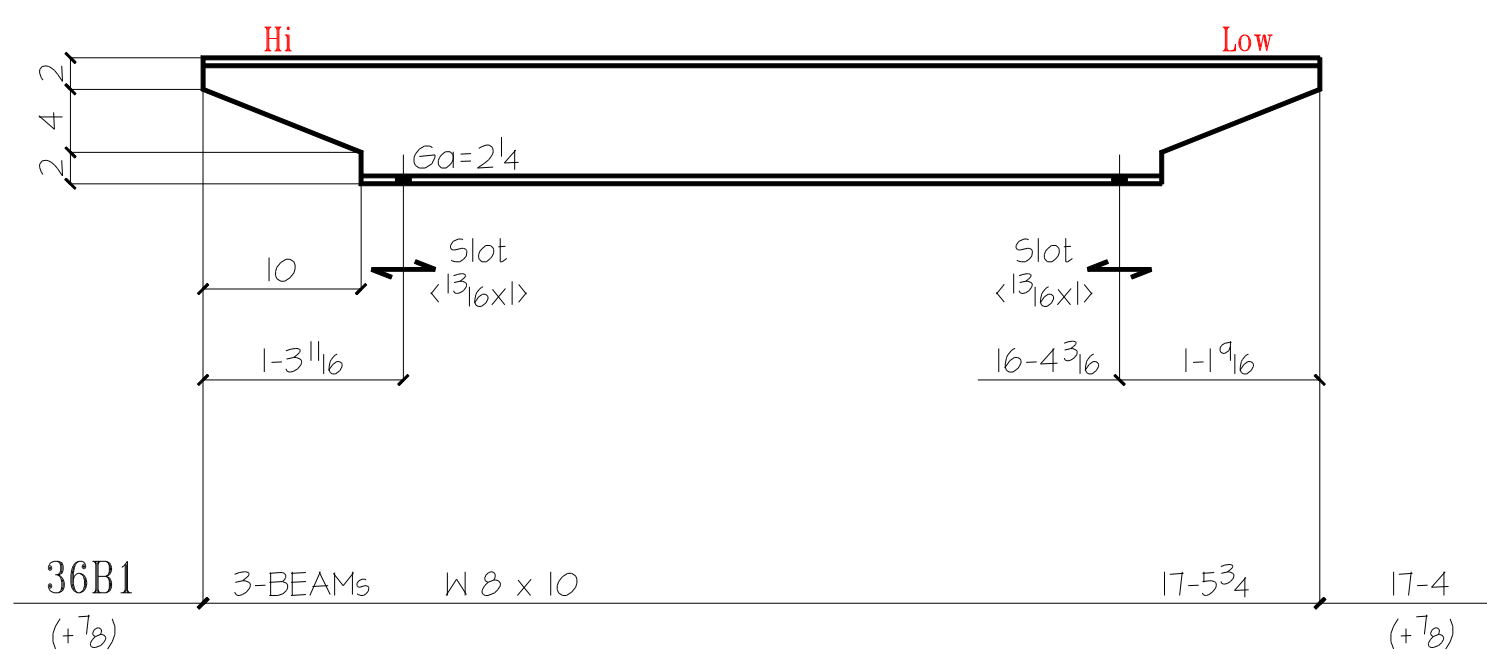
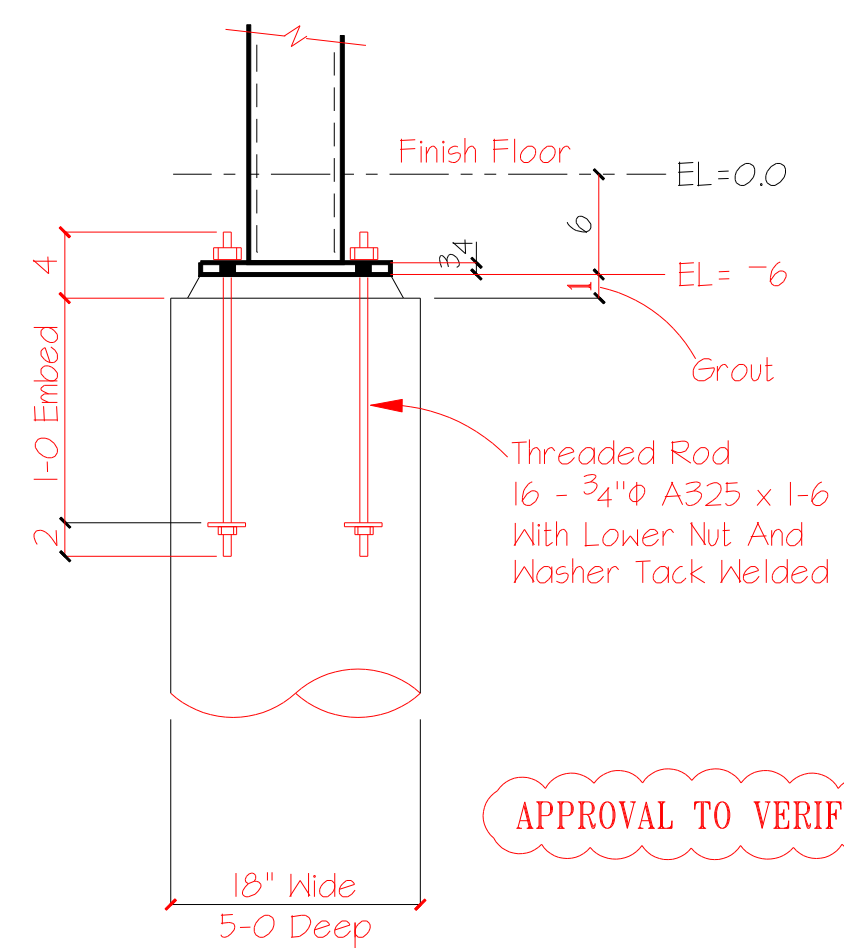
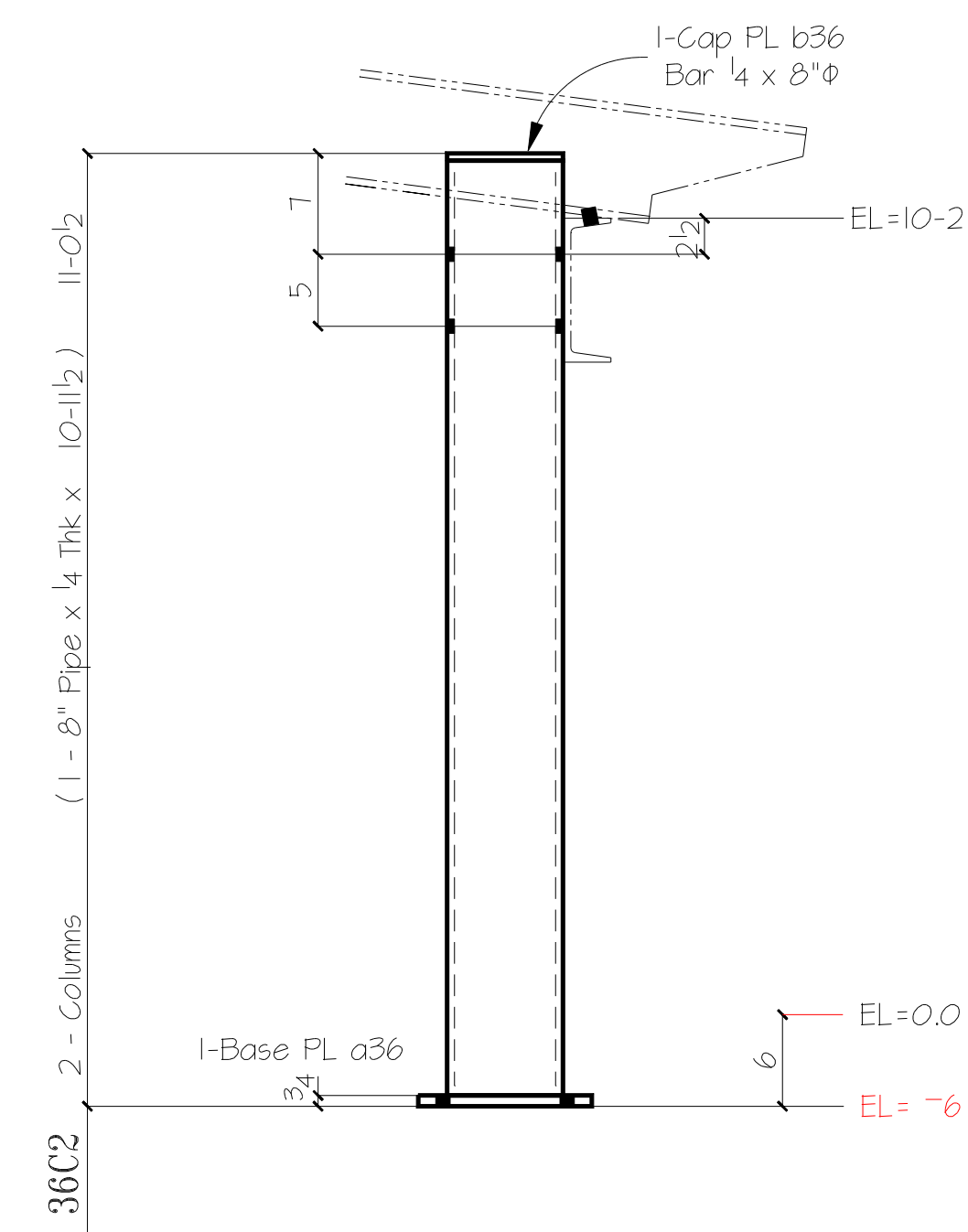


Detail of Base PL a36  
16 - 3/4"φ A325 x 1-6



Usable Template Mark Letters  
abcdefghijklmnopqrstuvwxyz  
TSD File= Selma\_atdr\_canopy.dwg

- DESCRIPTION OF REVISIONS MADE TO DRAWING -				
1				
2				
3				
	REVISION DESCRIPTION	DATE	MADE BY	CHK BY
	REF DWG	SPL.2		

MATERIAL GRADE SHELL BE	A36	U.N.O.
WF SHAPES	A992	TUBES A500
CHANNELS	A992	PIPES A501 or A53
COATING	Hot Dip Galvanized	
13/16"φ OPEN HOLE	1/4" FILLET	E700XX ELECTRODES
APPROVAL	TO SHOP	

J&D Steel		
DETAILS OF Outdoor Canopy Parts		
CUSTOMER		
ARCHITECT		
PROJECT		
LOCATION		
DETAIL DY	1-31-09	JOB #
CHK.R	tsd	1-31-09
	08018	SHEET #
		D36