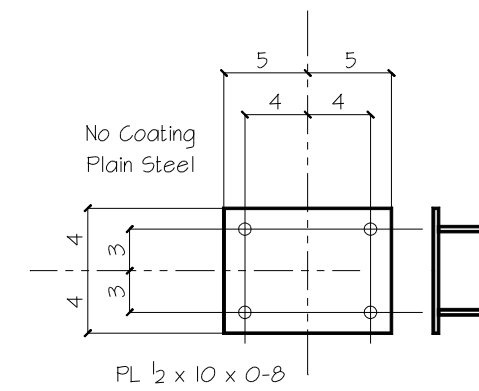


Doorway Frame MK:7F1

4 B x 6 x 7/16 x 0-8

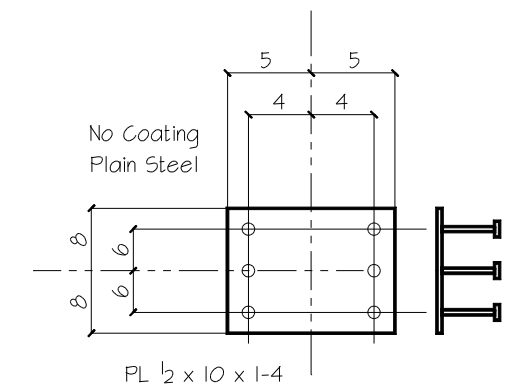
24 Angle MK: 7A1

16 Per Sect 8/S501
12 Per Sect 11/S501



16 Embed PL's MK: 7P1

Ref Sect 11/S501



6 Embed PL's MK: 7P2

Ref Sect 11/S501

Plans For Approval
& Not Construction

Work This Sheet With S501
And With E-Sheet E208B

PRINT RECORD

APPVL SHOP FIELD

| APPVL | SHOP | FIELD |
|-------|------|-------|
| | | |
| | | |
| | | |
| | | |
| | | |
| | | |
| | | |
| | | |
| | | |

DESCRIPTION OF REVISIONS MADE TO DRAWING

| REVISION | DESCRIPTION | DATE | MADE BY | CHK BY | SHOPED |
|----------|----------------------------------|------|---------|--------|--------|
| 0 | New Items Per Engineer Bulletins | | | | |
| 1 | | | | | |
| 2 | | | | | |
| | | | | | |
| | | | | | |
| | | | | | |
| | | | | | |
| | | | | | |
| | | | | | |
| | | | | | |

MATERIAL GRADE SHELL BE A36 U.N.O.
WF SHAPES A992 TUBES A500 Gr B
CHANNELS A992 PIPES A53 Gr B
SCHEDULE "D" S01.01
COATING One S/C Red Oxide Primer
13/16" 1/4" E700XX
OPEN HOLE FILLETS ELECTRODES

DETAILS OF Cooling Tower Screen Wall
CUSTOMER Eldridge III Office Building
ARCHITECT
ENGINEER
PROJECT Eldridge III Office Building
LOCATION 737 N Eldridge Pk, Houston Rev 0
DETAIL DR 1-2-09 JOB # 1498 SHEET # D7
CHK.R tsd 1-5-09

FN: Eldridge_D01.dwg