

2nd Floor - Bridge # 12

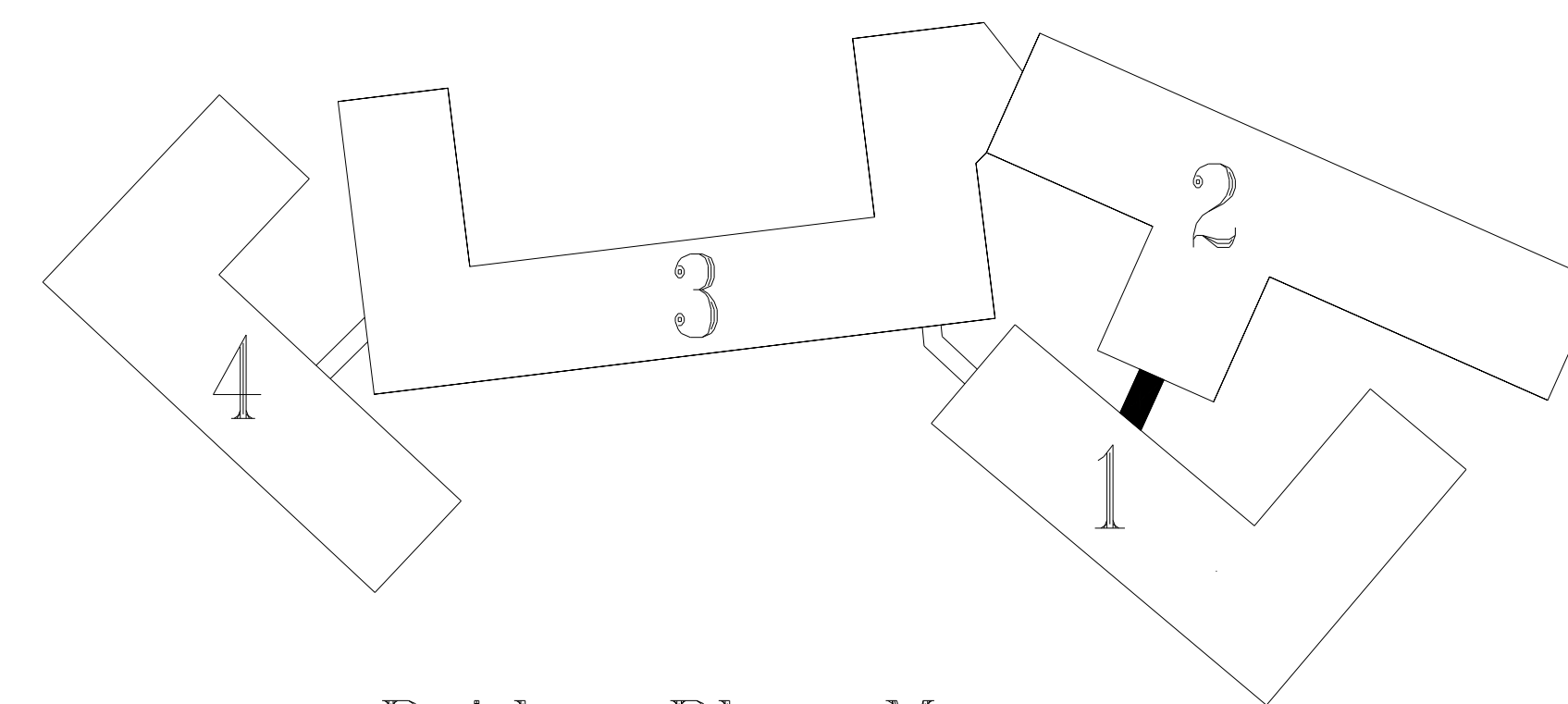
Top of Beam EL=107-5¹/₈ Ref S41

3rd Floor - Bridge # 12

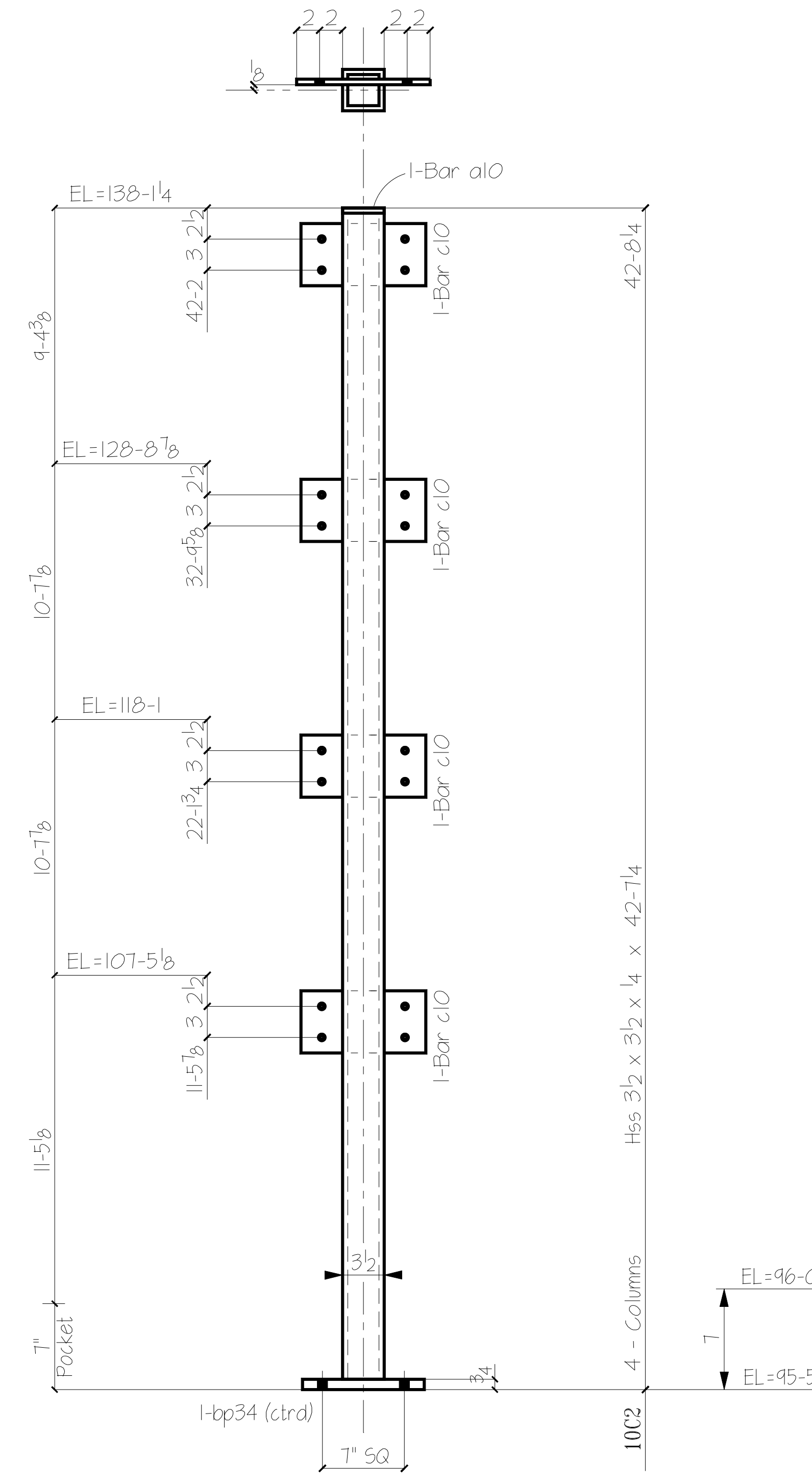
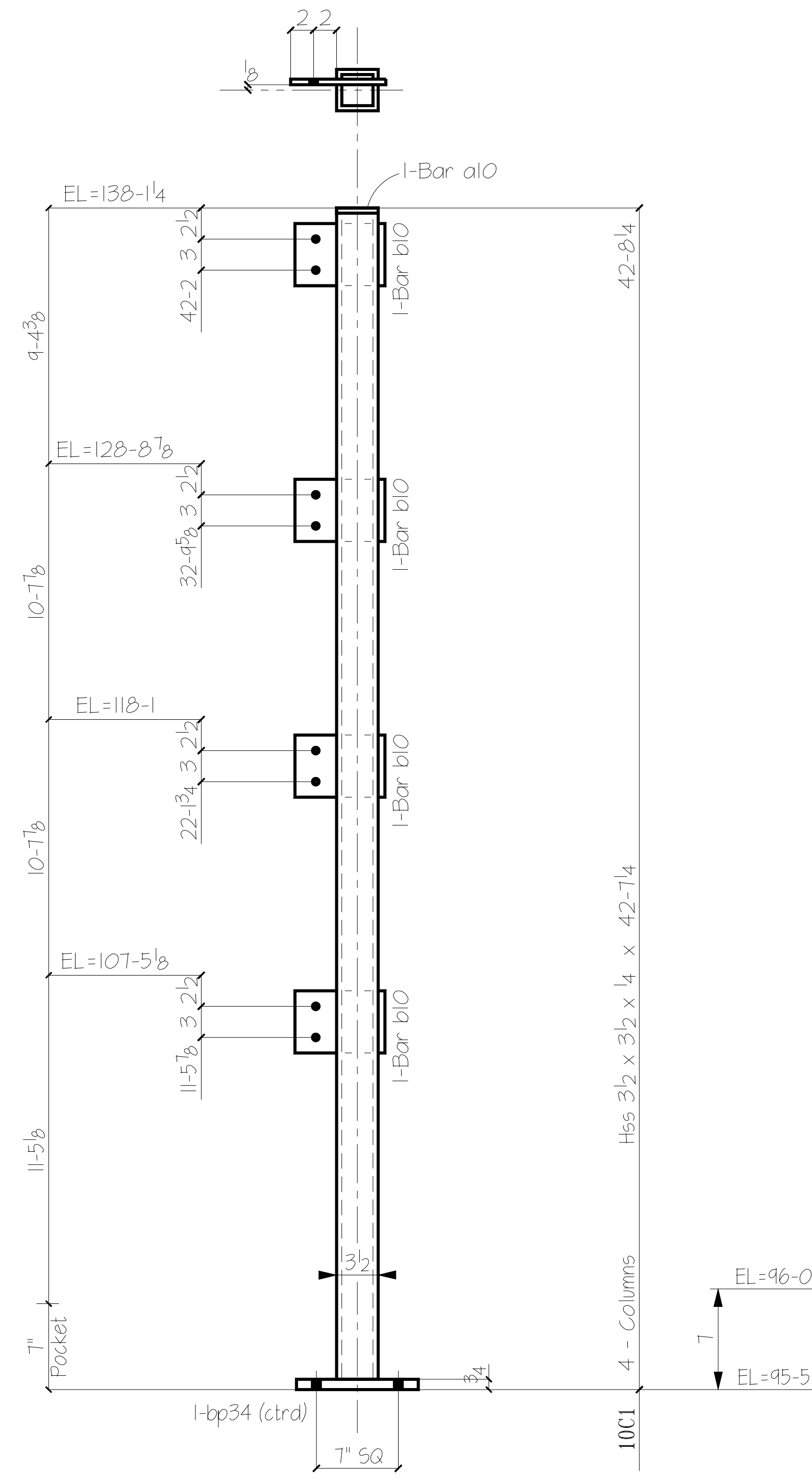
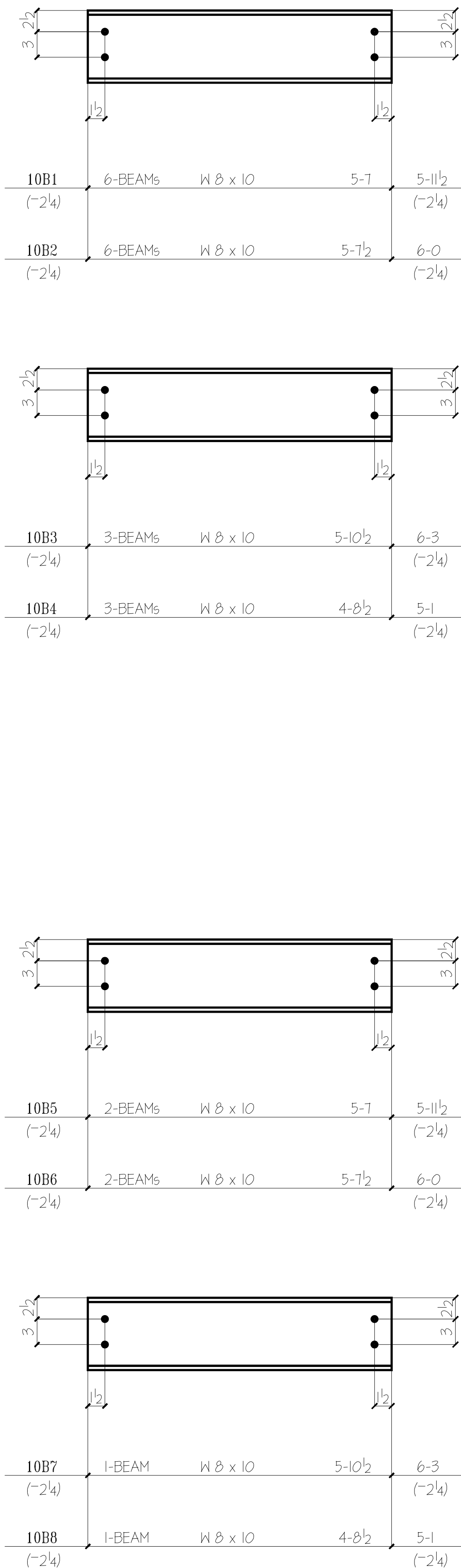
Top of Beam EL=118-1 Ref S412

4th Floor - Bridge # 12

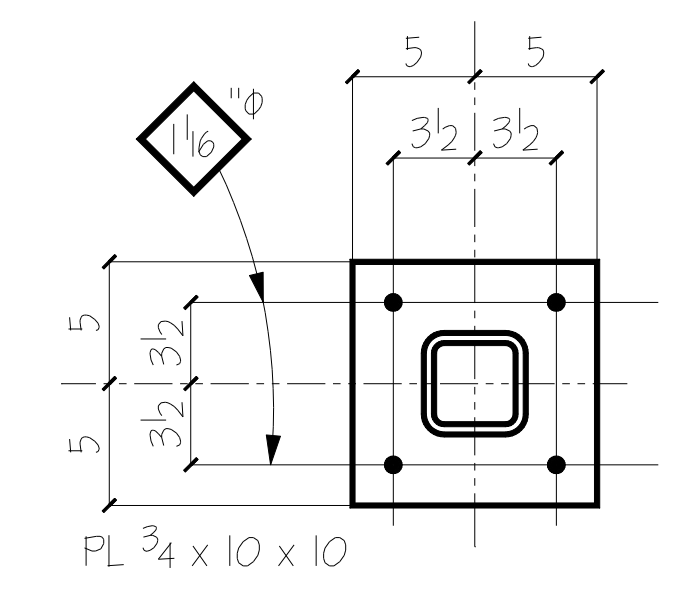
Top of Beam EL=128-8⁷/₈ Ref S413



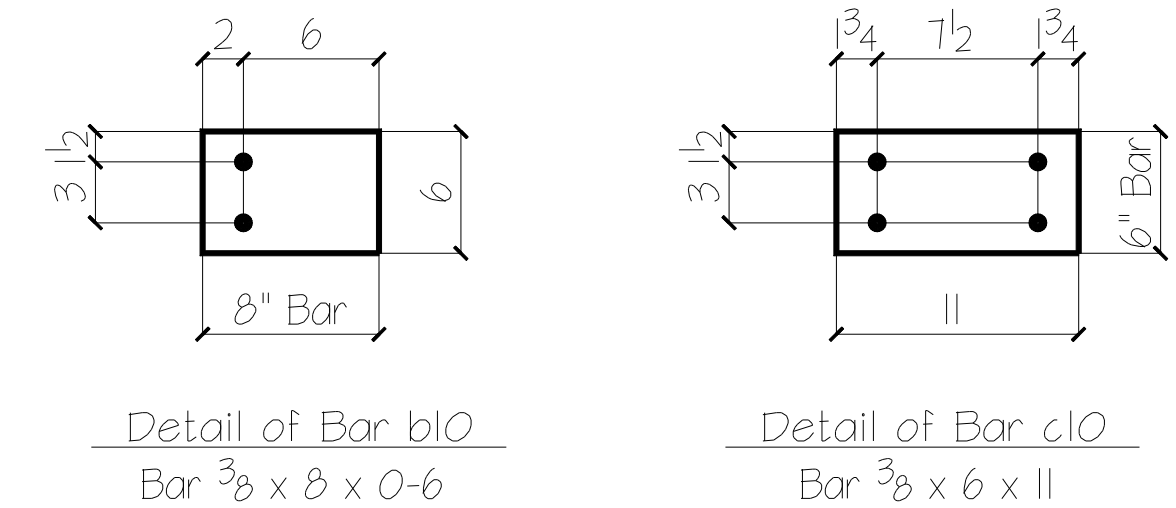
Bridge Plan Map



MARK	QTY	DESCRIPTION	LENGTH
10C1	4	Hss 3 1/2 x 3 1/2 x 1/4	42-7 1/4
bp34	4	Bar 3/4 x 10	0-10
a10	4	Bar 1/4 x 3 1/2	0-3 1/2
b10	16	Bar 3/8 x 8	0-6
10C2	4	Hss 3 1/2 x 3 1/2 x 1/4	42-7 1/4
bp34	4	Bar 3/4 x 10	0-10
a10	4	Bar 1/4 x 3 1/2	0-3 1/2
c10	16	Bar 3/8 x 6	0-11
10B1	6	W 8 x 10	5-7
10B2	6	W 8 x 10	5-7 1/2
10B3	3	W 8 x 10	5-10 1/2
10B4	3	W 8 x 10	4-8 1/2
10B5	2	W 8 x 10	5-7
10B6	2	W 8 x 10	5-7 1/2
10B7	1	W 8 x 10	5-10 1/2
10B8	1	W 8 x 10	4-8 1/2



Base PL's bp34
Hss 3 1/2 & 4" Columns



- DESCRIPTION OF REVISIONS MADE TO DRAWING -	
3	
2	
1	

- UNLESS NOTED OTHERWISE -

13/16" Ø	3/16
OPEN HOLES	FILLET WELD
COATING One S/C Red Oxide Primer	
MATERIAL GRADE SHELL BE	A36 U.N.O.
WF SHAPES	A992 TUBES A500
CHANNELS	A36 PIPES A53
REF DWG	A3 & E3
FN=	Market-BRDO.dwg

TS STEEL FABRICATORS					
DETAILS OF Bridge # 12 Parts					
PROJECT Market Station					
LOCATION					
CUSTOMER					
ARCHITECT					
ENGINEER					
Bridge Steel 12					
DETAIL DY	9-10-08	DATE APP'VD	REV#	JOB #	1160
CHK.R	tsd	10-13-08	10-7-08	DWG #	D10