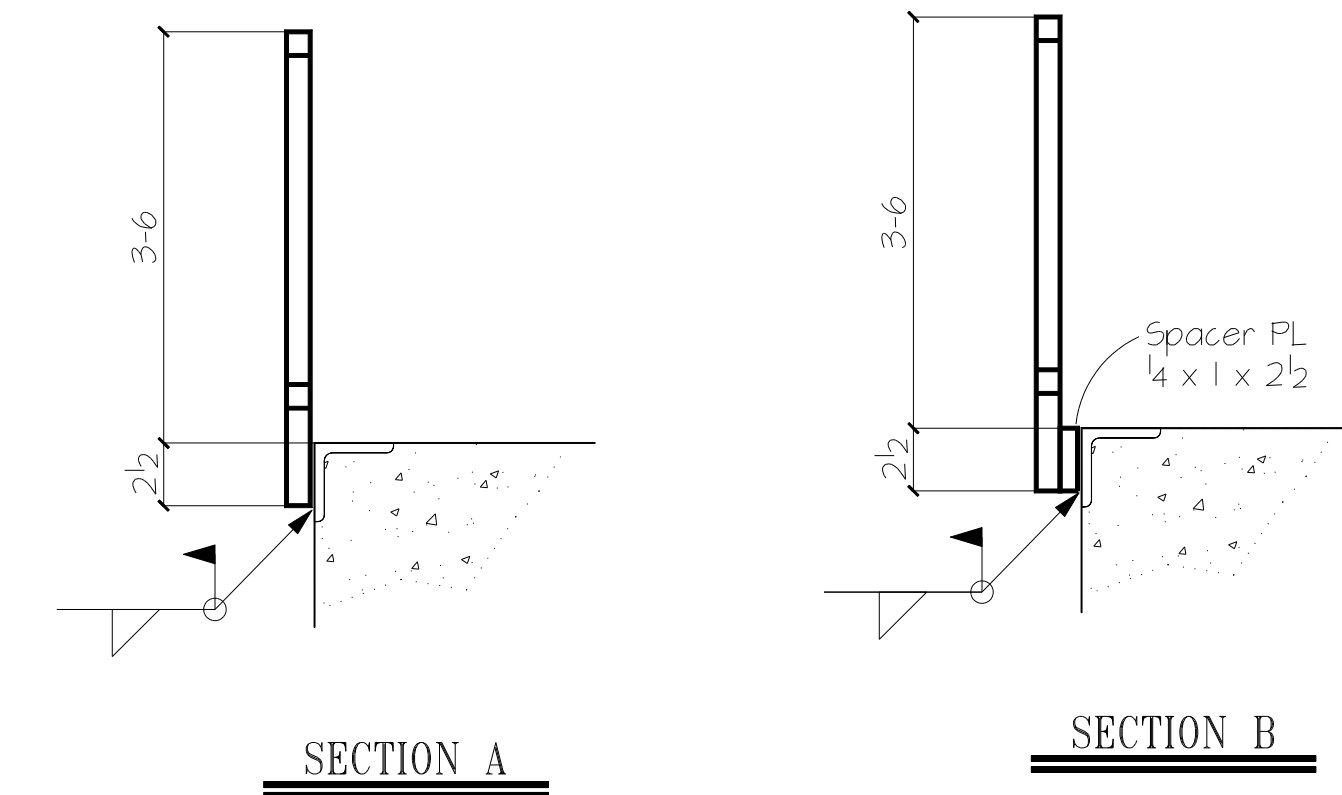



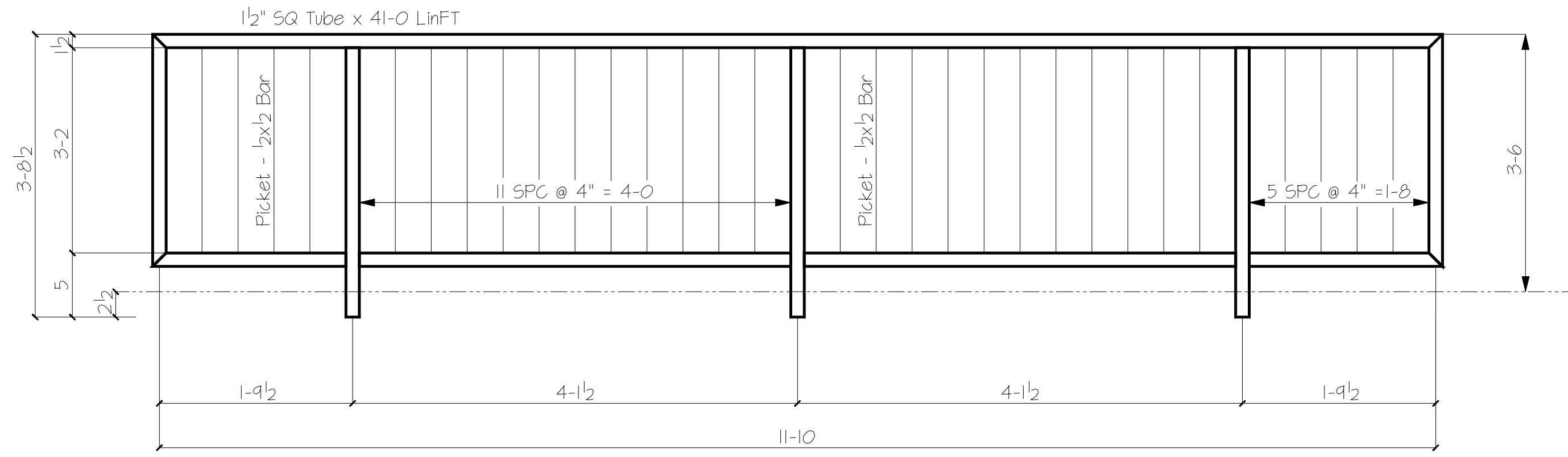

 This wall opening is NEW ! Is there to be a NEW Handrail here ?  
 If So, Than make & ship This NEW HR, 15HR6

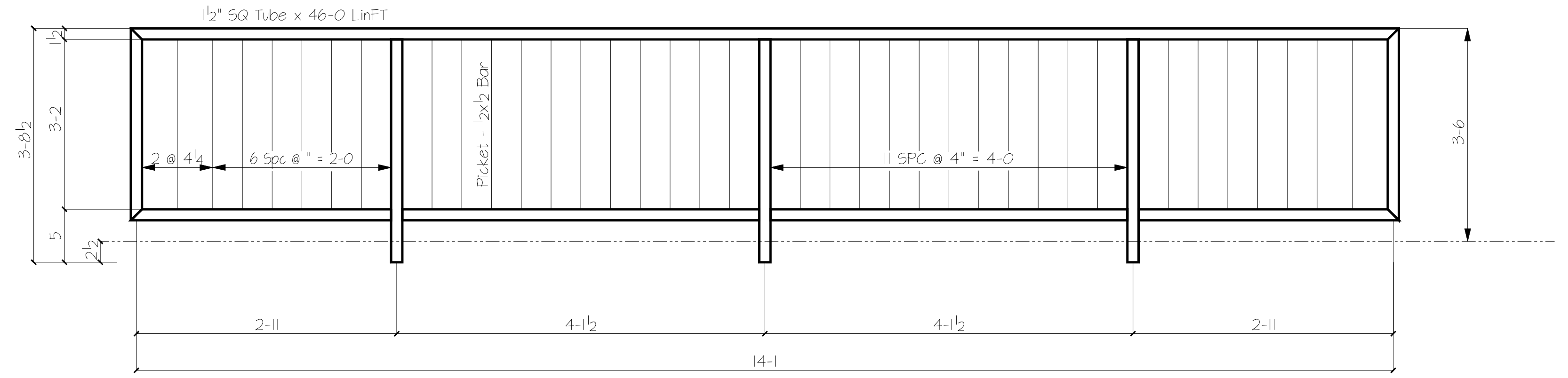


Usable Template Mark Letters  
 p p c d e l g h j k m n p q r s t v w x z  
 TSP FN: DaySpa\_D14.dwg

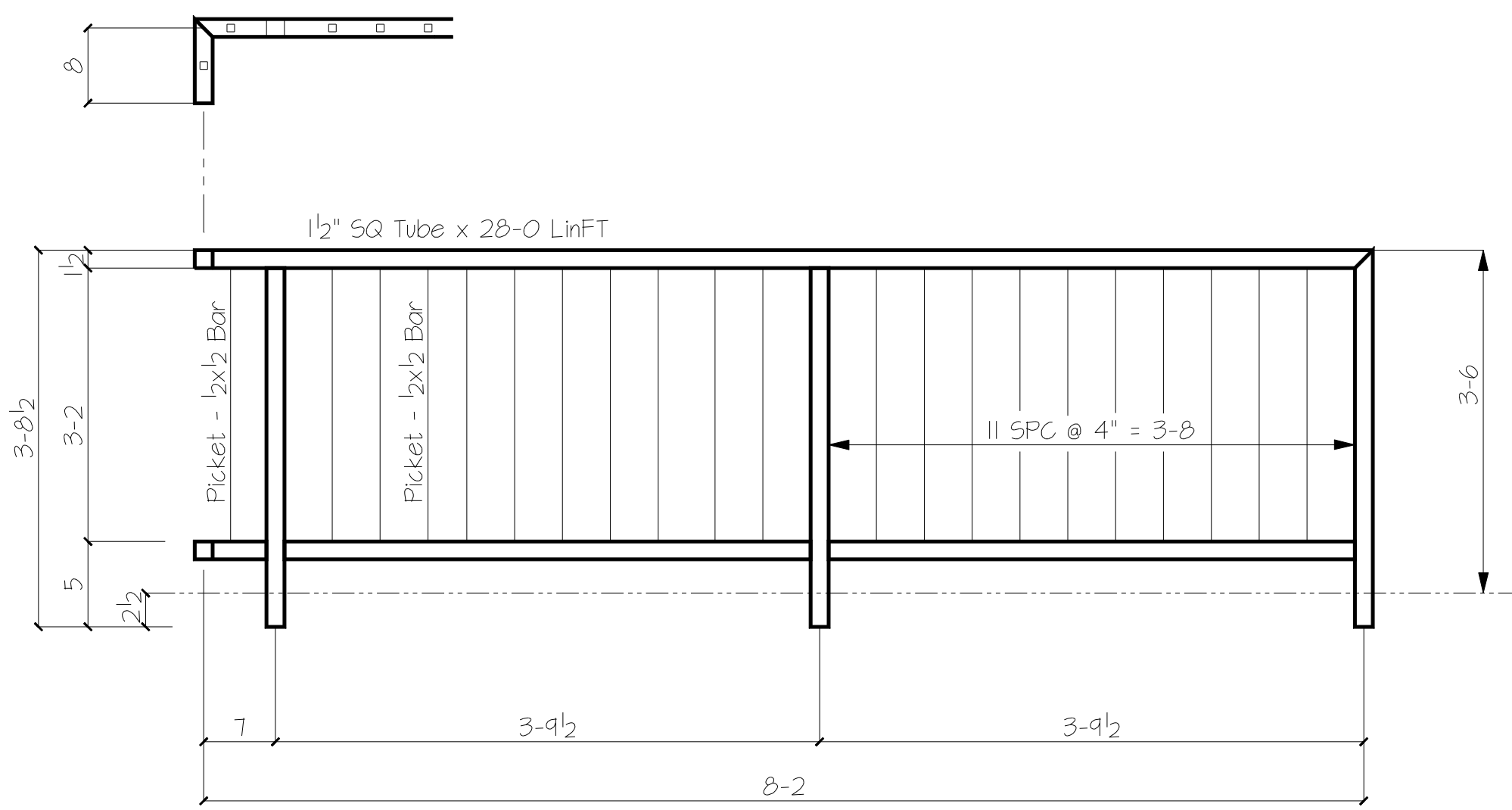
- DESCRIPTION OF REVISIONS MADE TO DRAWING -		MATERIAL GRADE SHELL BE <u>A36</u> U.N.O.		<b>J&amp;D Steel</b> DETAILS OF <u>Hand Rails</u> CUSTOMER <u>Crownhill Builders Inc</u> ARCHITECT <u>DHR Durand Hollis Rupe</u> PROJECT <u>Whispering Waters Day Spa</u> LOCATION <u>13111 Heubner Rd</u>	
 1  2  3	Changes Per Field Dims _____ _____ _____	DATE <u>11-7-08</u> MADE BY _____ CHK BY _____ SHOPED _____	WF SHAPES <u>A992</u> TUBES <u>A500</u> CHANNELS <u>A992</u> PIPES <u>A501 or A53</u> COATING <u>One S/C Red Oxide Primer</u> <u>13/16"</u> OPEN HOLE <u>1/4"</u> FILLETS <u>E700XX</u> ELECTRODES		
REF DWG <u>E2 &amp; S2.2</u>		APPROVAL _____ TO SHOP _____			



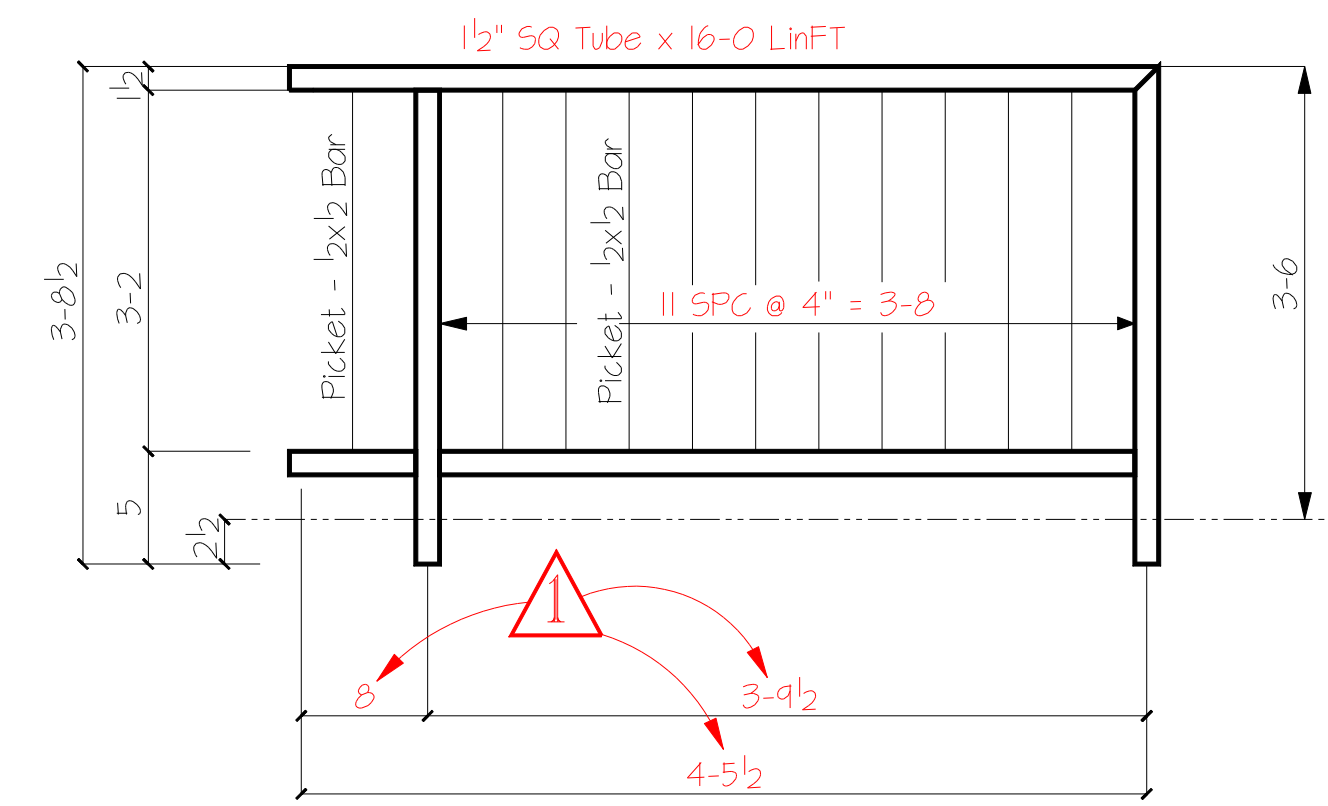
**1 Handrail MK: 14HR2**  
FAHRICATE AS SHOWN



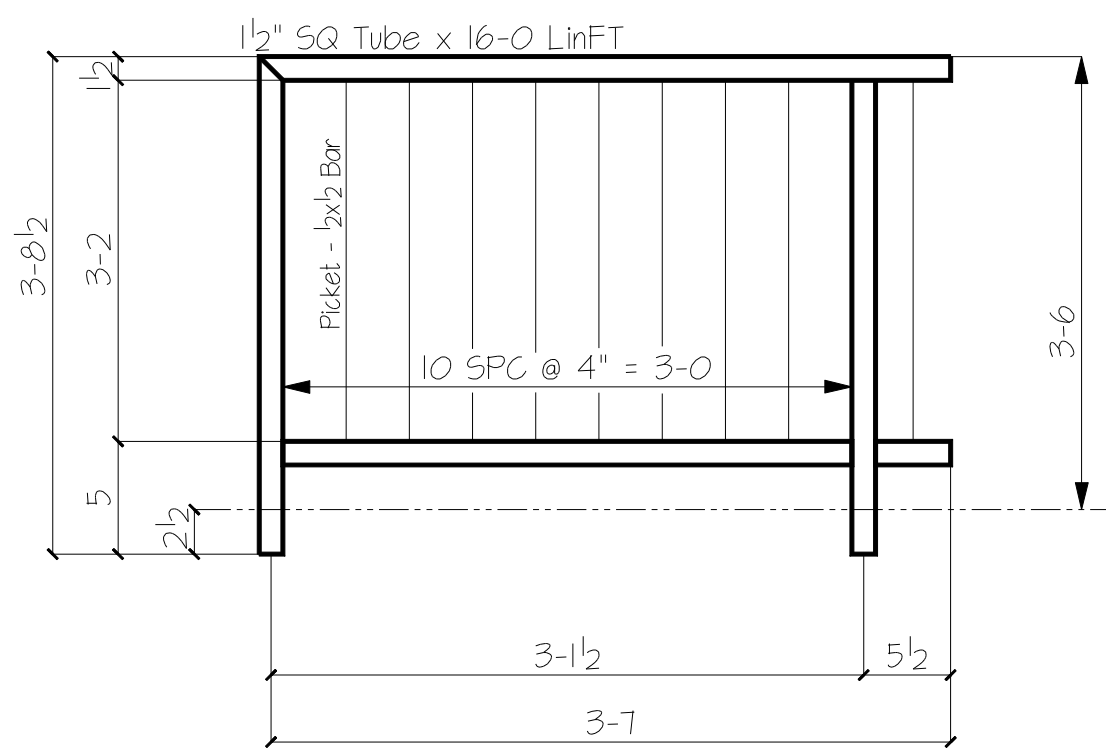
**1 Handrail MK: 14HR4**  
FAHRICATE AS SHOWN



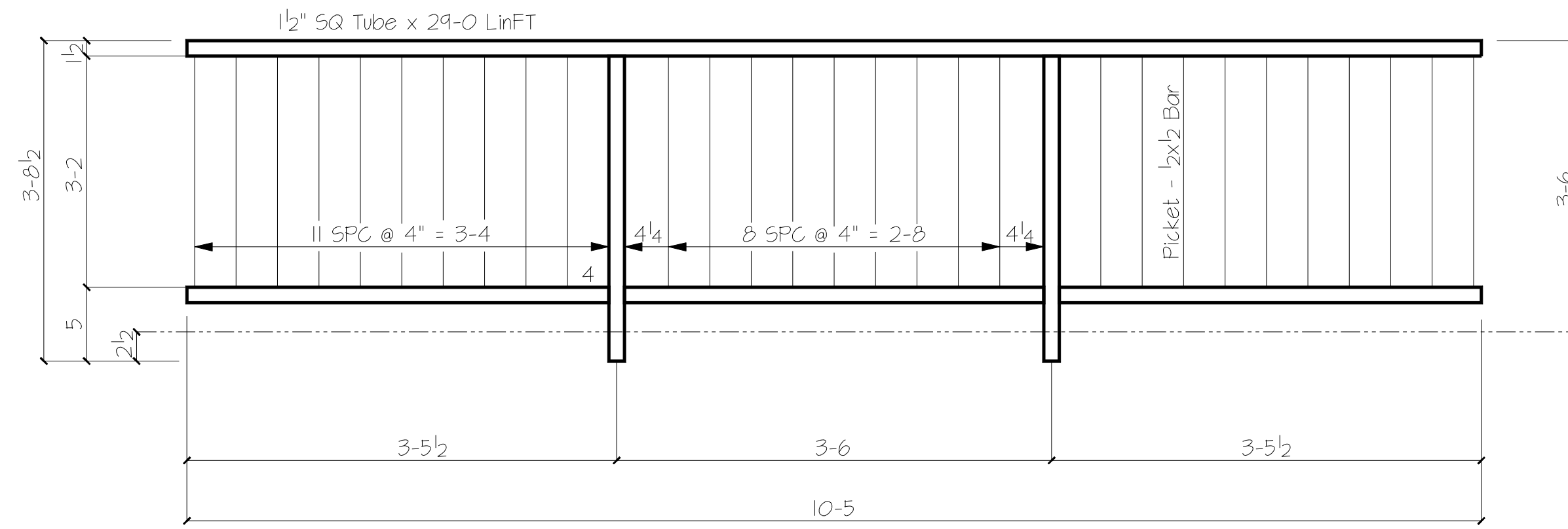
**1 Handrail MK: 14HR1L**  
FAHRICATE AS SHOWN



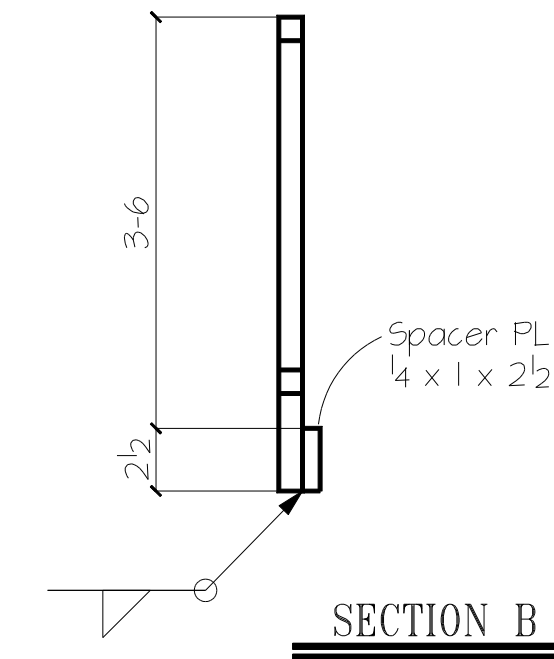
**2 Handrail MK: 14HR3**  
FAHRICATE AS SHOWN



**2 Handrail MK: 14HR5**  
FAHRICATE AS SHOWN



**1 Handrail MK: 14HR6**  
FAHRICATE AS SHOWN



**SECTION B**

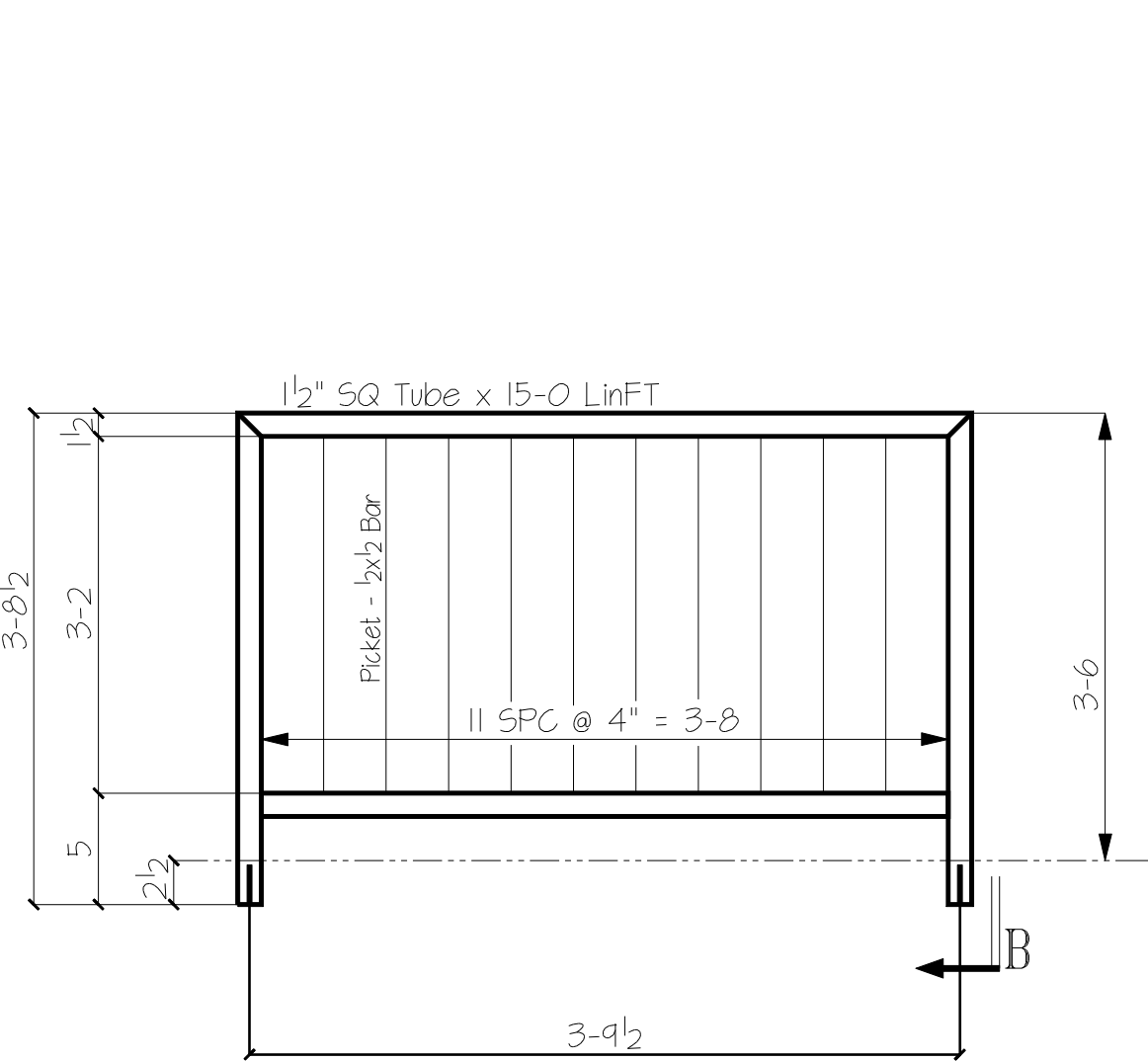
- BILL OF MATERIAL -					INSPECTION	
SHIP MK	TEMP MK	QTY	DESCRIPTION	LENGTH	WELDER	FINALE
14HR1L		1	Handrail			
		1	Frame	TS 1 1/2 x 1 1/2 x 1/8	28-Lin Ft	
		21	Pickets	Bar 1/2 x 1/2	3-2	
14HR1R		1	Handrail			
		1	Frame	TS 1 1/2 x 1 1/2 x 1/8	28-Lin Ft	
		21	Pickets	Bar 1/2 x 1/2	3-2	
14HR2		1	Handrail			
		1	Frame	TS 1 1/2 x 1 1/2 x 1/8	41-Lin Ft	
		30	Pickets	Bar 1/2 x 1/2	3-2	
14HR3		2	Handrail			
		2	Frame	TS 1 1/2 x 1 1/2 x 1/8	16-Lin Ft	
		22	Pickets	Bar 1/2 x 1/2	3-2	
14HR4		1	Handrail			
		1	Frame	TS 1 1/2 x 1 1/2 x 1/8	46-Lin Ft	
		36	Pickets	Bar 1/2 x 1/2	3-2	
14HR5		1	Handrail			
		1	Frame	TS 1 1/2 x 1 1/2 x 1/8	16-Lin Ft	
		9	Pickets	Bar 1/2 x 1/2	3-2	
		2	Spacer	Bar 1/4 x 1	0-2 1/2	
14HR6		1	Handrail			
		1	Frame	TS 1 1/2 x 1 1/2 x 1/8	29-Lin Ft	
		29	Pickets	Bar 1/2 x 1/2	3-2	
		3	Spacer	Bar 1/4 x 1	0-2 1/2	

- DESCRIPTION OF REVISIONS MADE TO DRAWING -					
1	Changes Per Field Dims				11-7-08
2					
3					
	REVISION DESCRIPTION	DATE	MADE BY	CHK BY	SHOPED
	REF DWG E2 & S2.2				

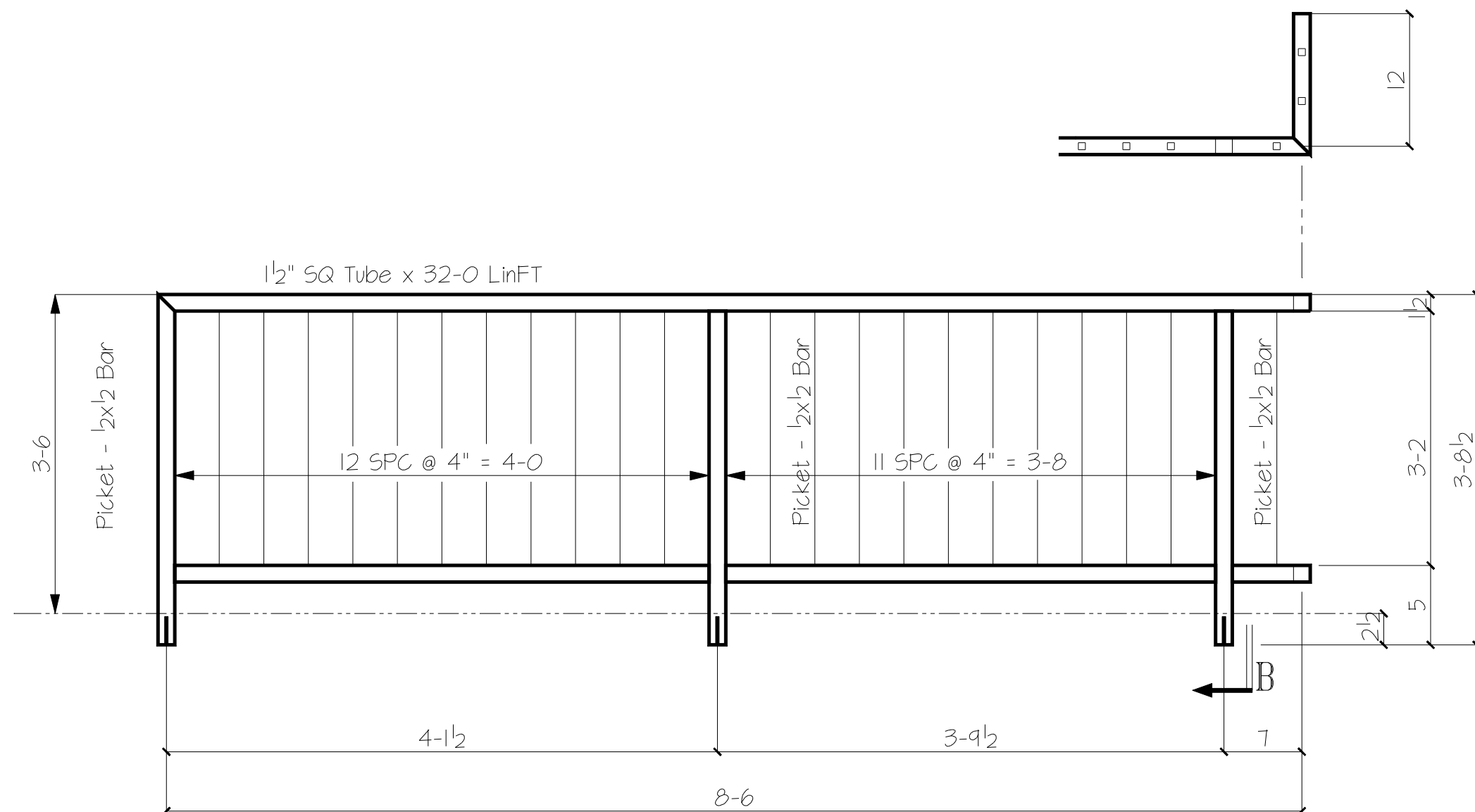
MATERIAL GRADE SHELL BE	A36	U.N.O.
WF SHAPES	A992	TUBES A500
CHANNELS	A992	PIPES A501 or A53
COATING	One S/C Red Oxide Primer	
13/16" OPEN HOLE	1/4" FILLETS	E700XX ELECTRODES
APPROVAL	TO SHOP	

J&D Steel		
DETAILS OF Hand Rails		
CUSTOMER	Crownhill Builders Inc	
ARCHITECT	DHR Durand Hollis Rupe	
PROJECT	Whispering Waters Day Spa	
LOCATION	13111 Heubner Rd	Rev#1
DETAIL	DY 4-6-08	JOB #
CHK.R	tsd 11-7-08	8007
		SHEET #
		D14

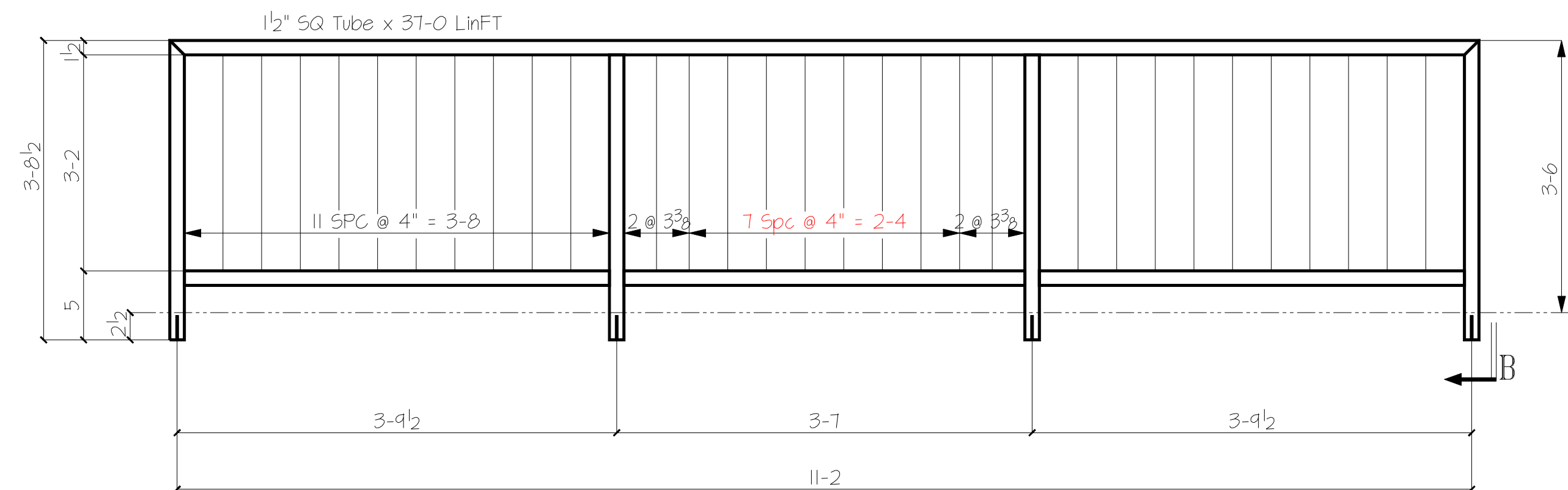
Useable Template Mark Letters  
p q r s t u v w x y z  
TSP FN: DaySpa\_D14.dwg



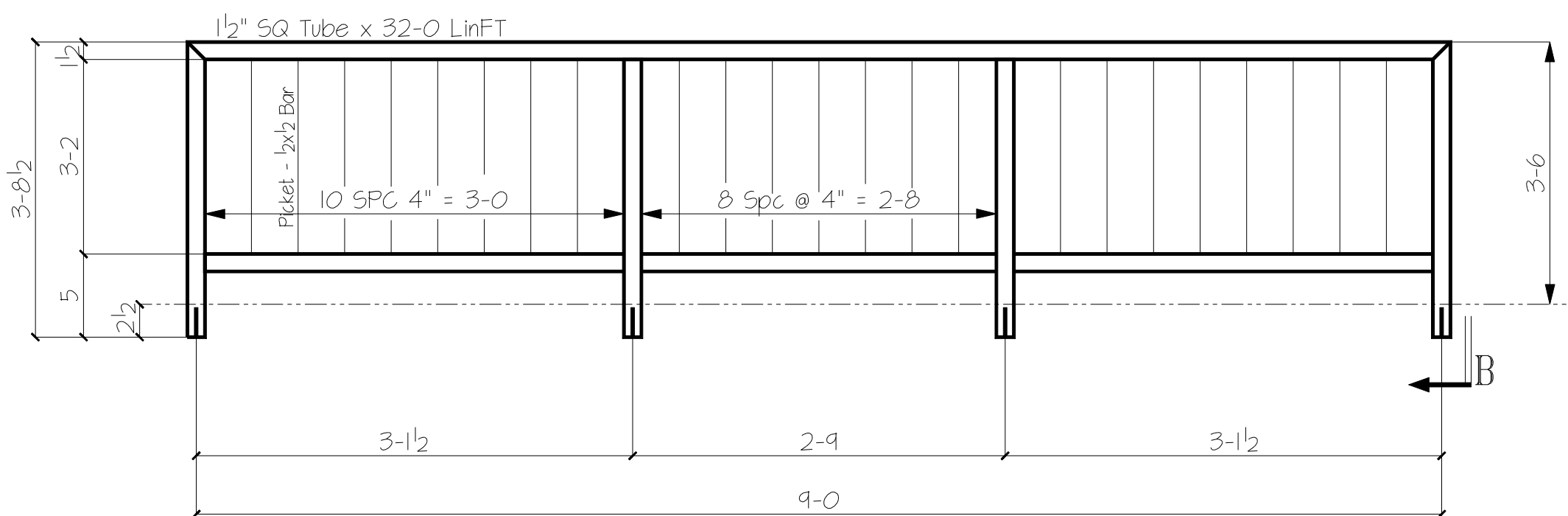
**1 Handrail MK: 15HR1**  
FAHRICATE AS SHOWN



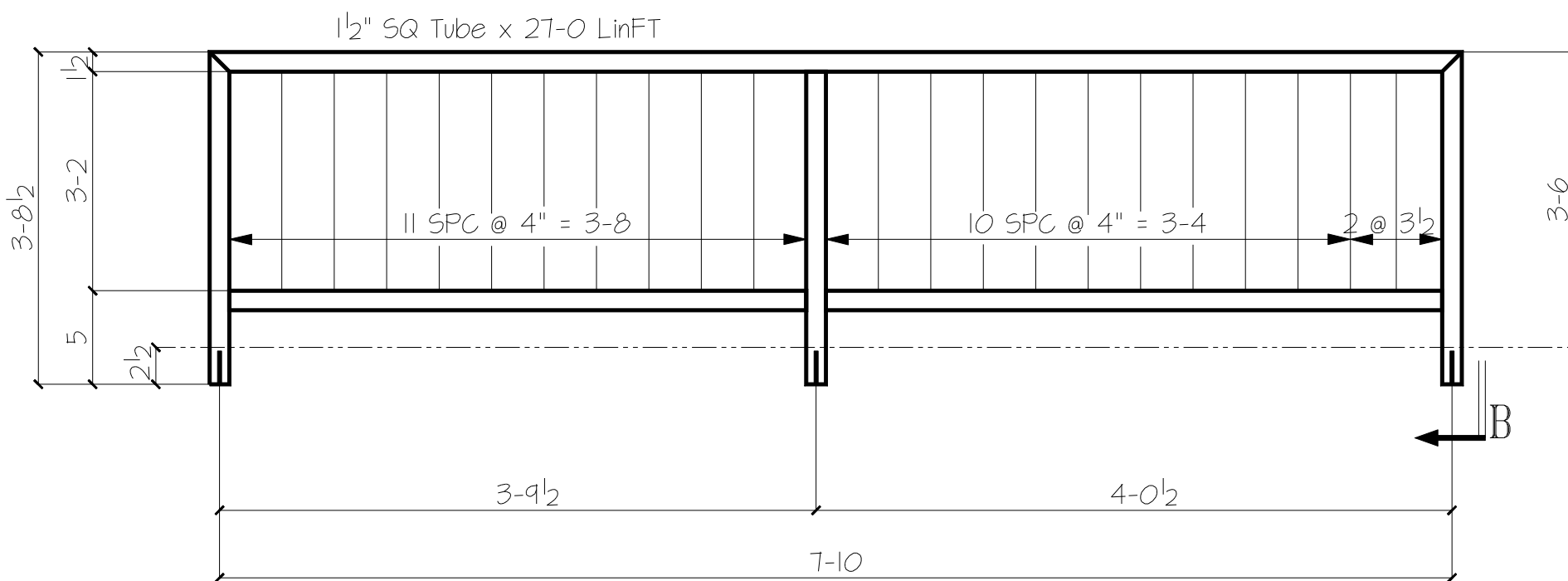
**1 Handrail MK: 15HR3**  
FAHRICATE AS SHOWN



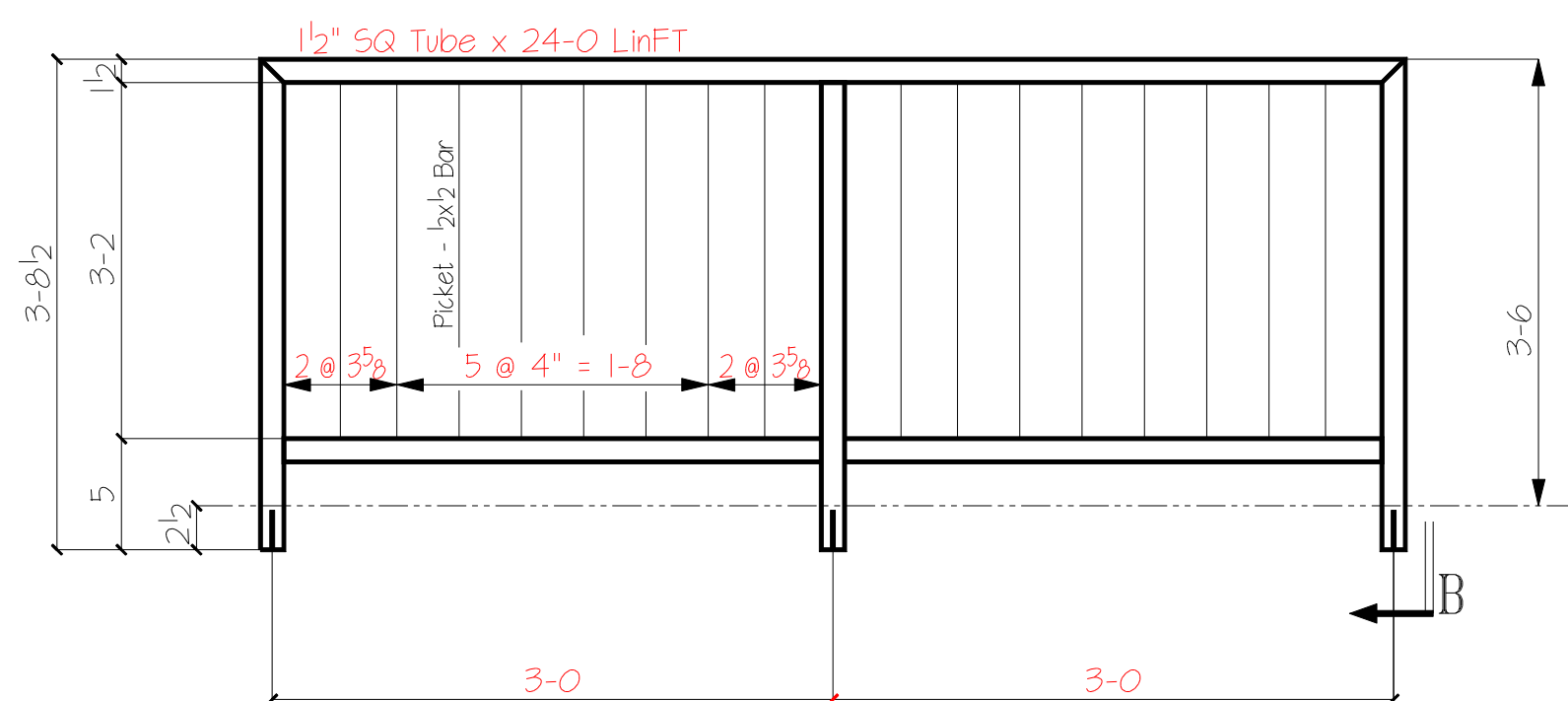
**1 Handrail MK: 15HR4**  
FAHRICATE AS SHOWN



**1 Handrail MK: 15HR2**  
FAHRICATE AS SHOWN

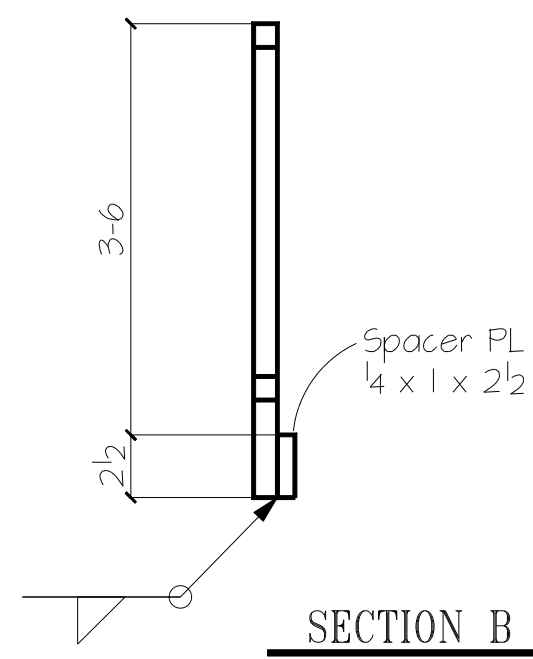


**1 Handrail MK: 15HR5**  
FAHRICATE AS SHOWN



**1 Handrail MK: 15HR6**  
FAHRICATE AS SHOWN

Ref Patio #121 on E-sheet E9  
If So, Then make & ship This NEW HR, 15HR6



**SECTION B**

- BILL OF MATERIAL -					INSPECTION	
SHIP MK	TEMP MK	QTY	DESCRIPTION	LENGTH	WELDER	FINALE
15HR1		1	Handrail			
		1	Frame	TS 1 1/2 x 1 1/2 x 1/8	15-Lin Ft	
		10	Pickets	Bar 1/2 x 1/2	3-2	
		2	Spacer	Bar 1/4 x 1	0-2 1/2	
15HR2		1	Handrail			
		1	Frame	TS 1 1/2 x 1 1/2 x 1/8	32-Lin Ft	
		33	Pickets	Bar 1/2 x 1/2	3-2	
		4	Spacer	Bar 1/4 x 1	0-2 1/2	
15HR3		1	Handrail			
		1	Frame	TS 1 1/2 x 1 1/2 x 1/8	32-Lin Ft	
		22	Pickets	Bar 1/2 x 1/2	3-2	
		3	Spacer	Bar 1/4 x 1	0-2 1/2	
15HR4		1	Handrail			
		1	Frame	TS 1 1/2 x 1 1/2 x 1/8	37-Lin Ft	
		30	Pickets	Bar 1/2 x 1/2	3-2	
		4	Spacer	Bar 1/4 x 1	0-2 1/2	
15HR5		1	Handrail			
		1	Frame	TS 1 1/2 x 1 1/2 x 1/8	27-Lin Ft	
		21	Pickets	Bar 1/2 x 1/2	3-2	
		3	Spacer	Bar 1/4 x 1	0-2 1/2	
15HR6		1	Handrail			
		1	Frame	TS 1 1/2 x 1 1/2 x 1/8	24-Lin Ft	
		16	Pickets	Bar 1/2 x 1/2	3-2	
		3	Spacer	Bar 1/4 x 1	0-2 1/2	



Useable Template Mark Letters  
p q r s t u v w x y z  
FN: DaySpa\_D14.dwg

- DESCRIPTION OF REVISIONS MADE TO DRAWING -

REVISION	DESCRIPTION	DATE	MADE BY	CHK BY	SHOPED
1	Changes Per Field Dims				11-7-08
2					
3					

REF DWG E2 & S2.2

MATERIAL GRADE SHELL BE	A36	U.N.O.
WF SHAPES	A992	TUBES A500
CHANNELS	A992	PIPES A501 or A53
COATING	One S/C Red Oxide Primer	
13/16" OPEN HOLE	1/4" FILLETS	E700XX ELECTRODES
APPROVAL	TO SHOP	

<b>J&amp;D Steel</b>			
DETAILS OF Hand Rails			
CUSTOMER	Crownhill Builders Inc		
ARCHITECT	DHR Durand Hollis Rupe		
PROJECT	Whispering Waters Day Spa		
LOCATION	13111 Heubner Rd		
DETAIL	DY	4-6-08	Rev#1
CHK.R	tsd	11-7-08	JOB # 8007 SHEET # D15