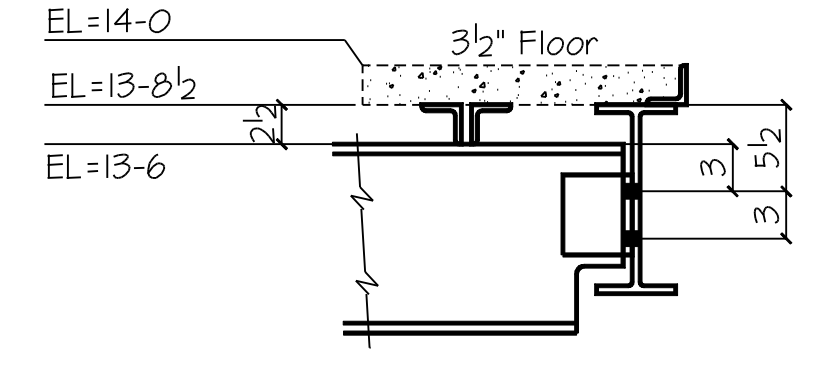
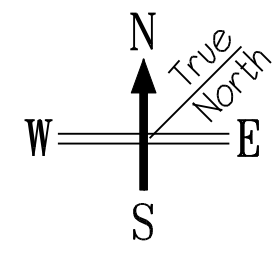
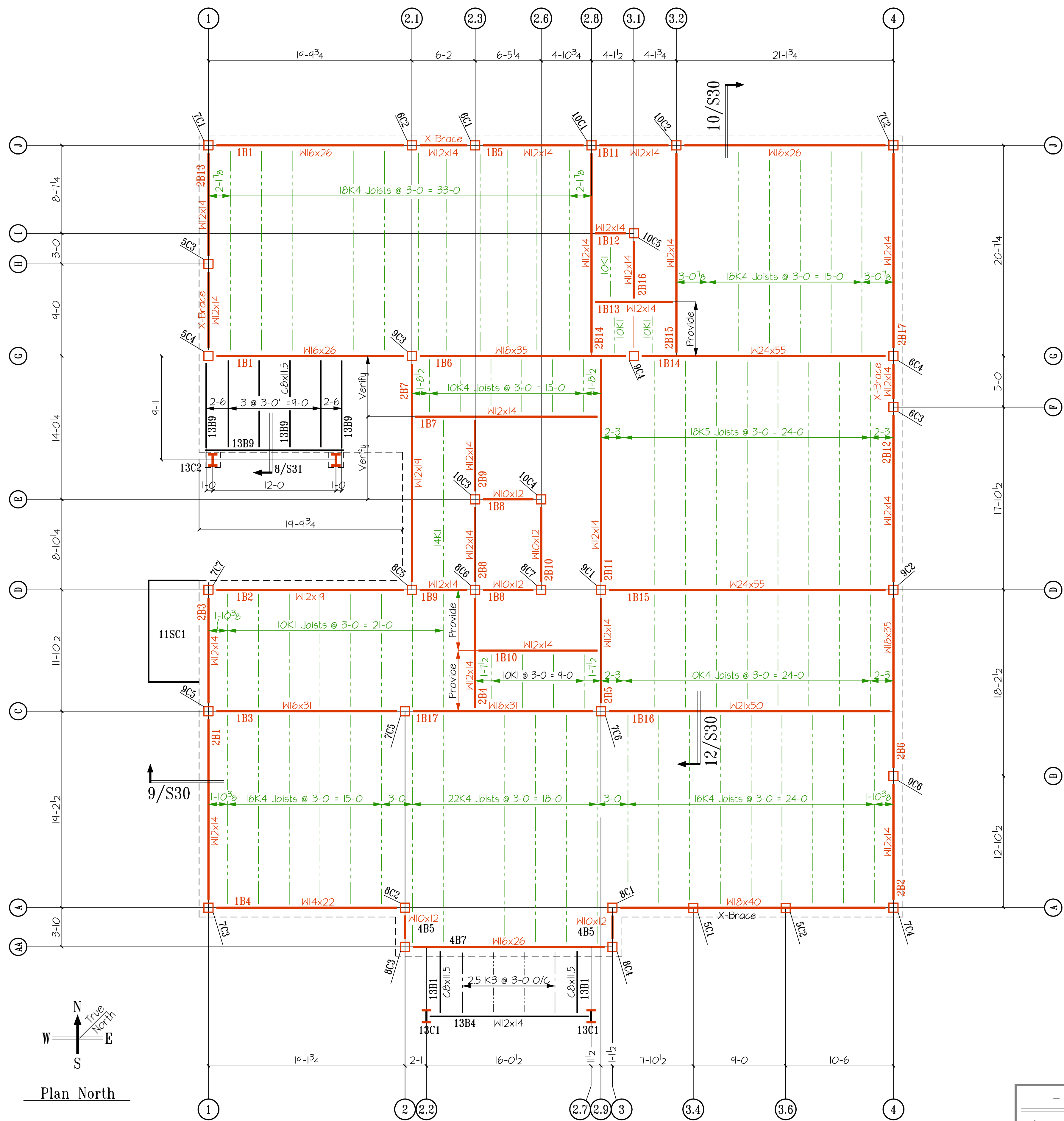


- DESCRIPTION OF REVISIONS MADE TO DRAWING -		MATERIAL GRADE SHELL BE <u>A36</u> U.N.O.		PLAN OF <u>Embed Placement Plan</u>	
1		WF SHAPES <u>A992</u>	TUBES <u>A500</u>	CUSTOMER _____	
2		CHANNELS <u>A992</u>	PIPES <u>A501 or A53</u>	ARCHITECT _____	
3		COATING <u>One S/C Red Oxide Primer</u>		PROJECT <u>Whispering Waters Day Spa</u>	
REVISION DESCRIPTION _____ DATE _____ MADE BY _____ CHK BY _____ SHOPED _____		13/16" OPEN HOLE		LOCATION _____	
REF DWG <u>S2.1</u>		1/4" FILLETS		DETAIL <u>DR</u> 4-12-08	
APPROVAL _____ TO SHOP _____		E700XX ELECTRODES		JOB # <u>8007</u>	
				SHEET # <u>EM1</u>	

Unicode Temple Mark Letters  
abcdefghijklmnopqrstuvwxyz



**Floor Section**

- DESCRIPTION OF REVISIONS MADE TO DRAWING -		MATERIAL GRADE SHALL BE <u>A36</u> U.N.O.		PLAN OF <u>Second Floor Framing Plan</u>	
1		WF SHAPES <u>A992</u>	TUBES <u>A500</u>	CUSTOMER	
2		CHANNELS <u>A992</u>	PIPES <u>A501 or A53</u>	ARCHITECT	
3		COATING <u>One S/C Red Oxide Primer</u>		PROJECT	<u>Whispering Waters Day Spa</u>
REVISION DESCRIPTION		DATE	MADE BY	CHK BY	SHOPED
REF DWG	FN= DaySpa_EI-E2.dwg		APPROVAL	TO SHOP	
DETAIL <u>DY</u>		<u>4-3-08</u>	JOB # <u>8007</u>	SHEET # <u>E 1</u>	