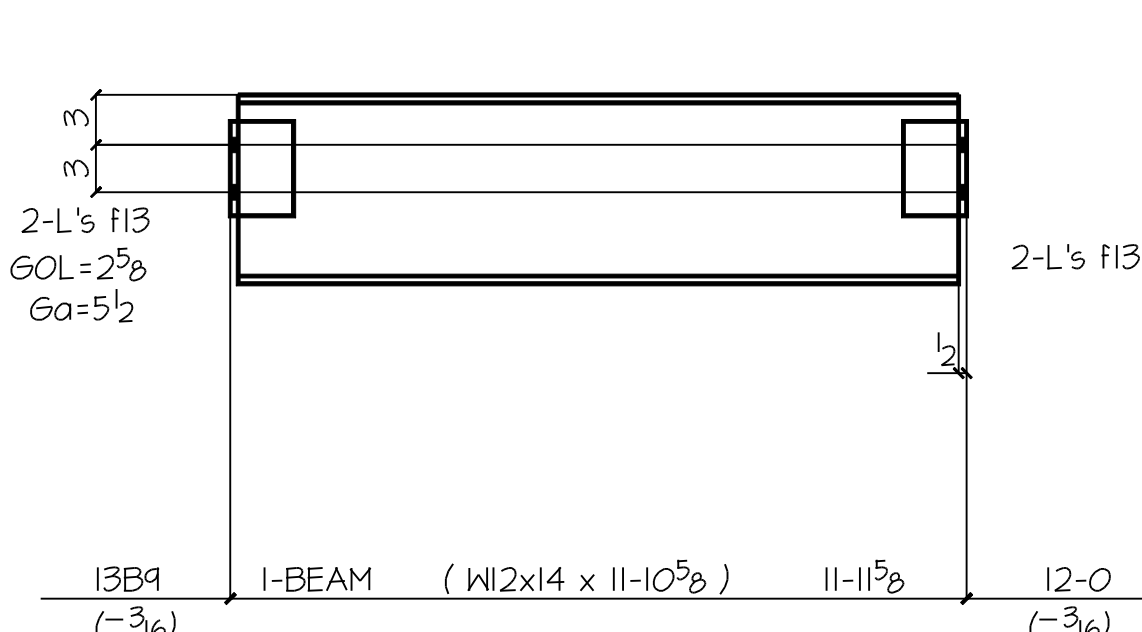
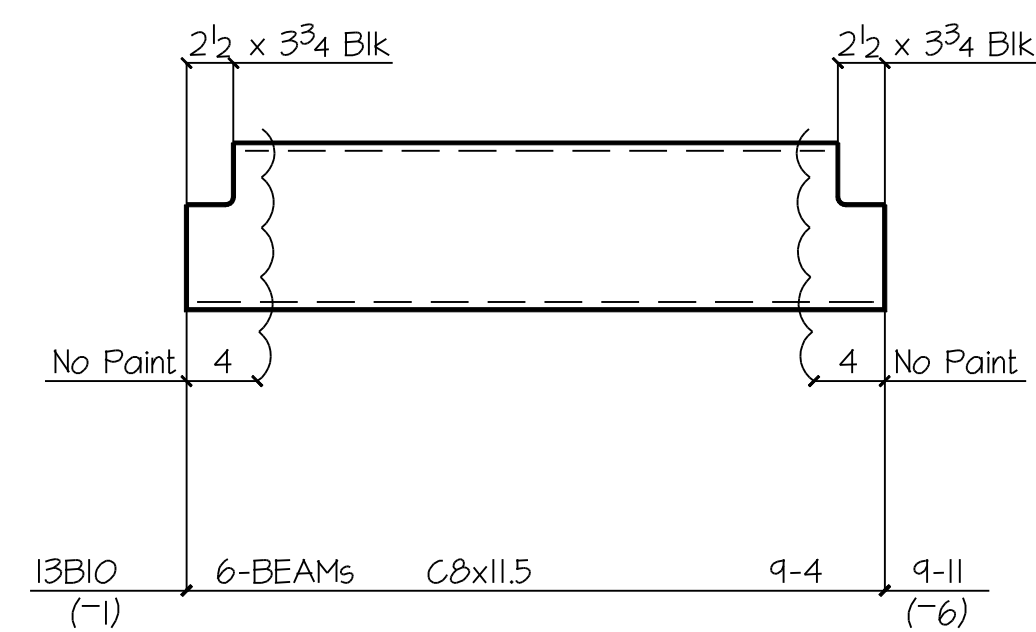
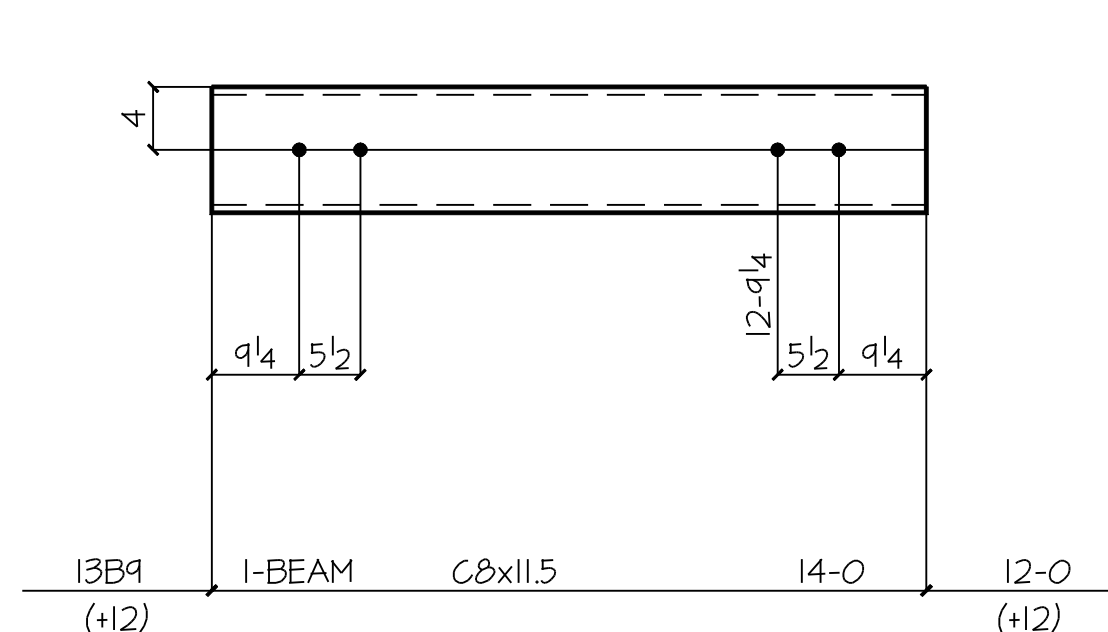
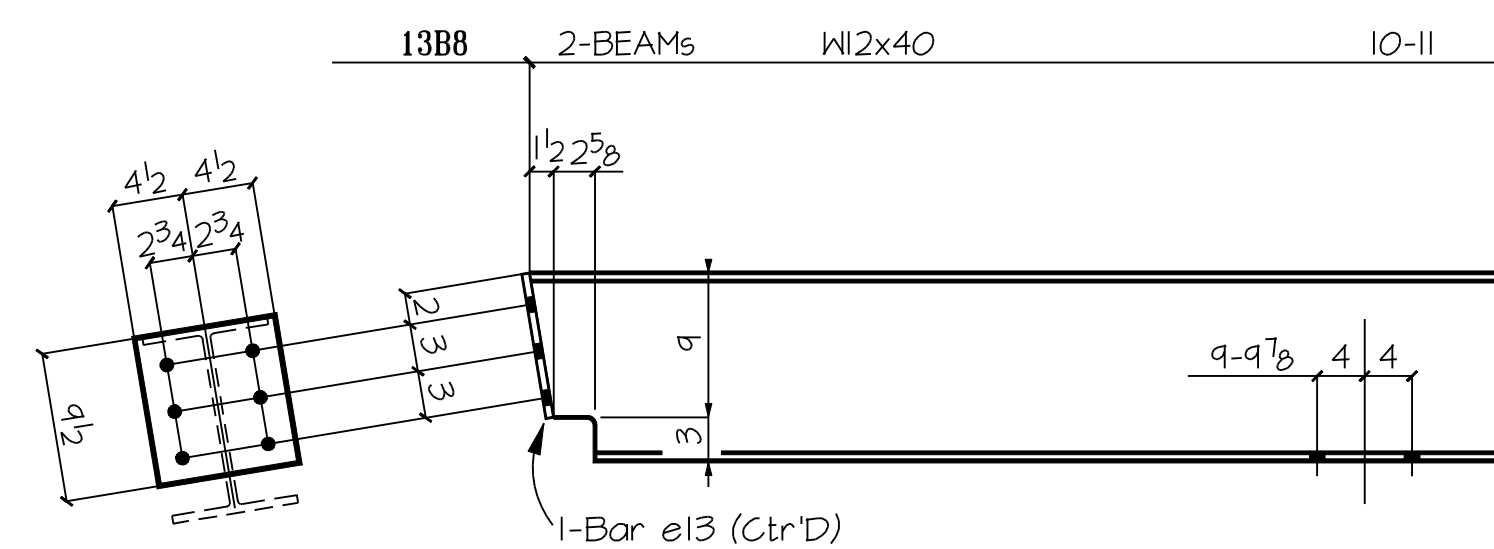
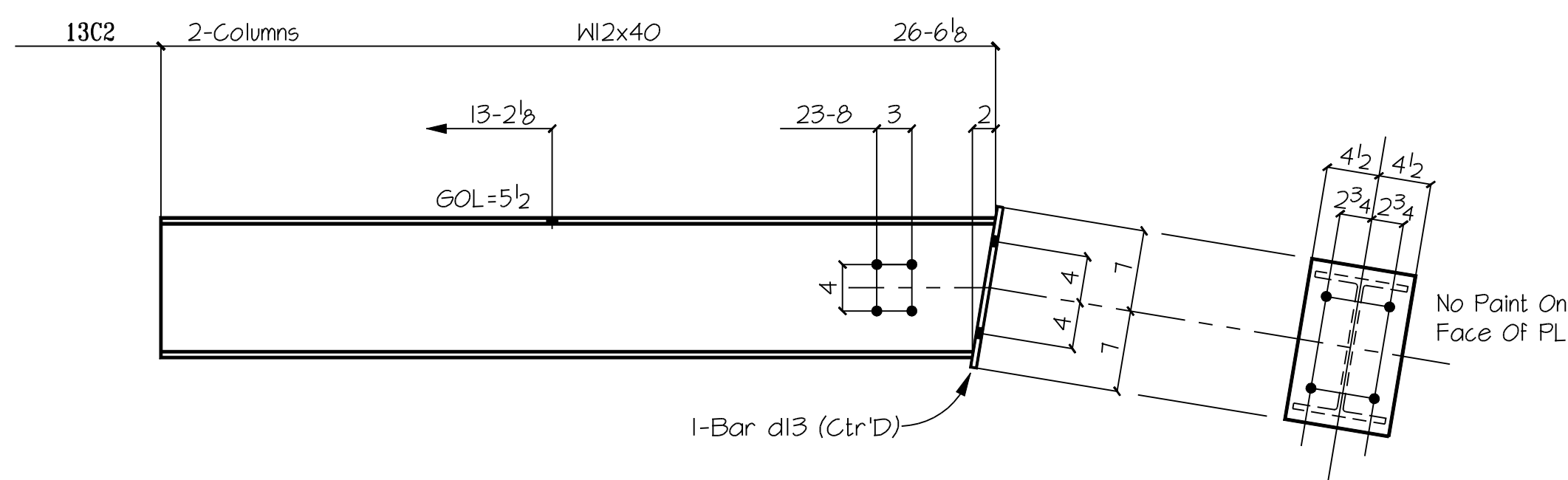
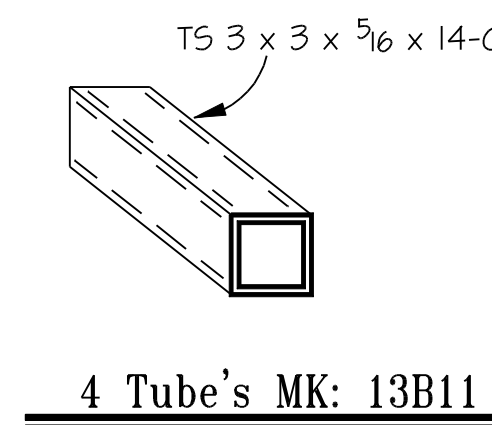
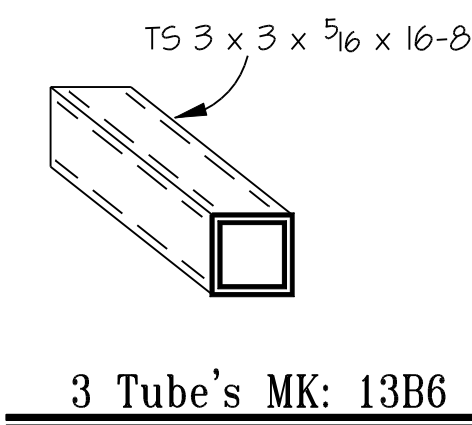
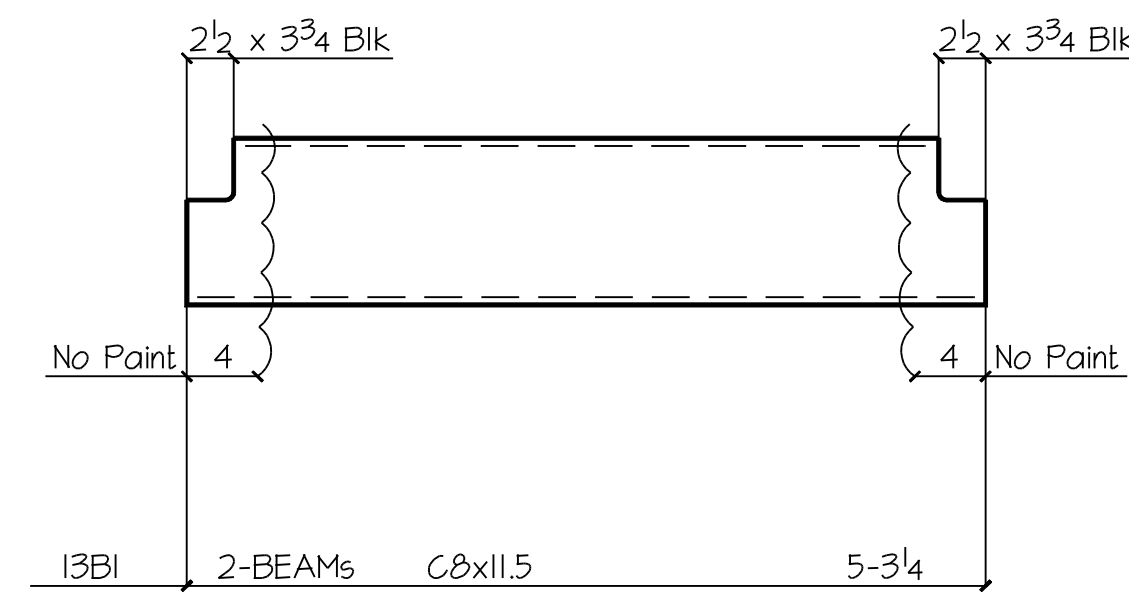
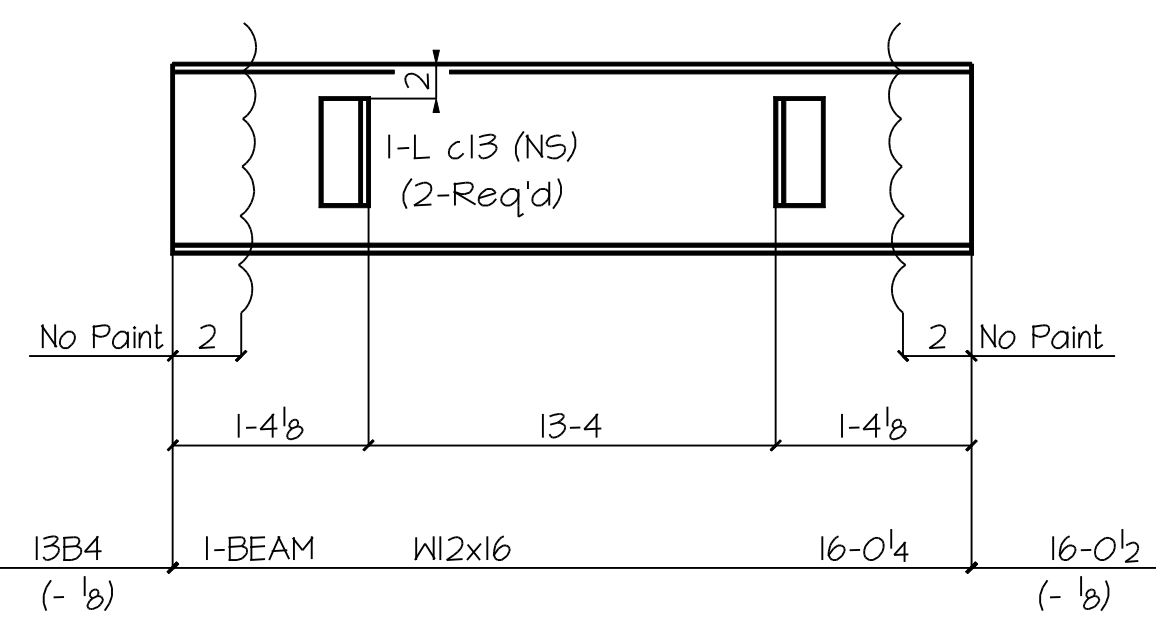
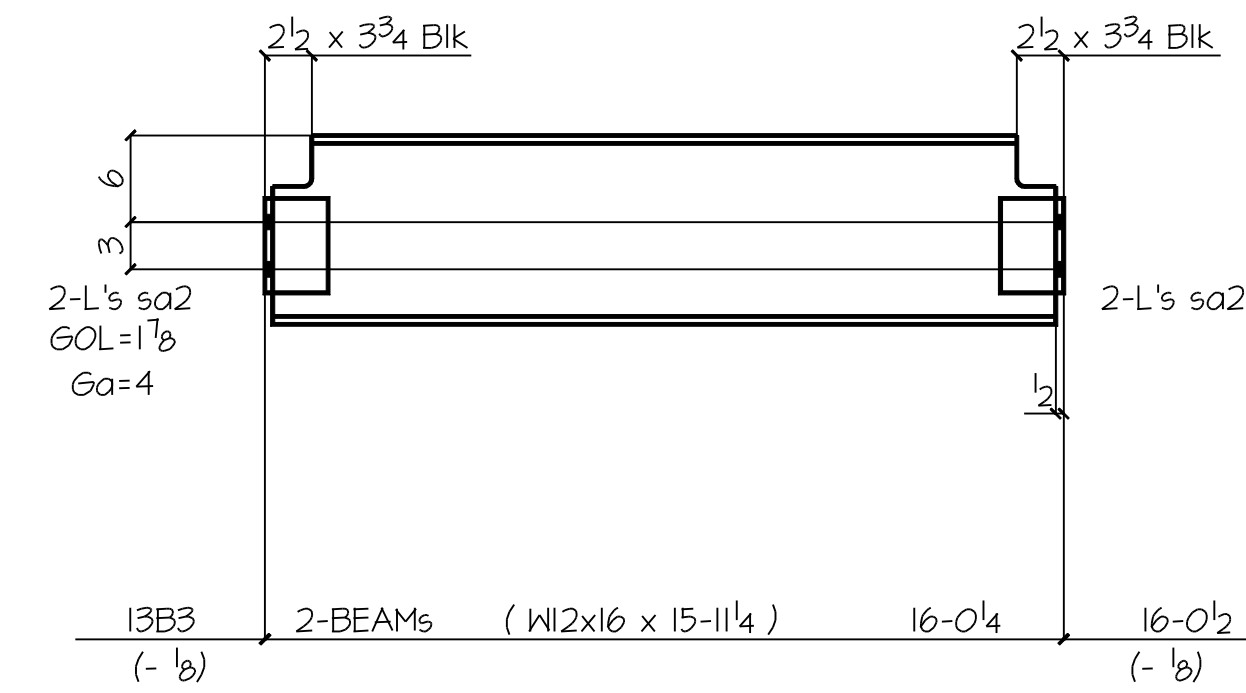
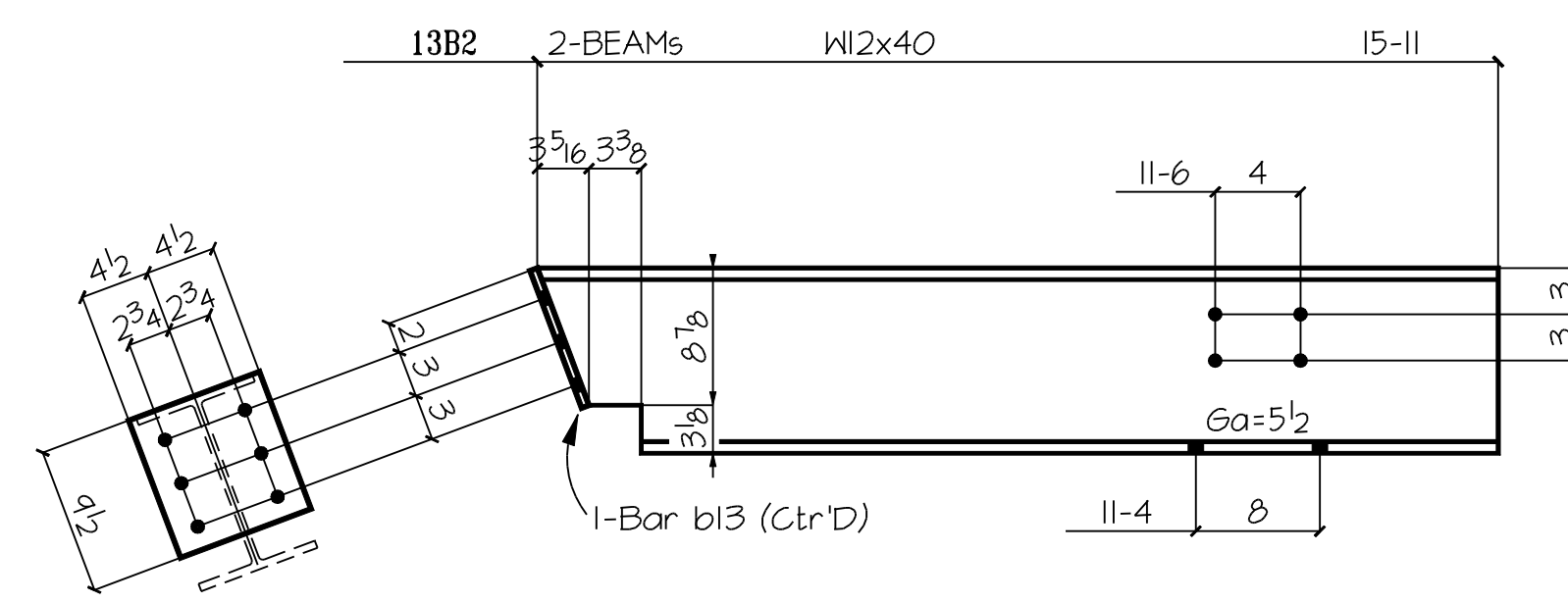
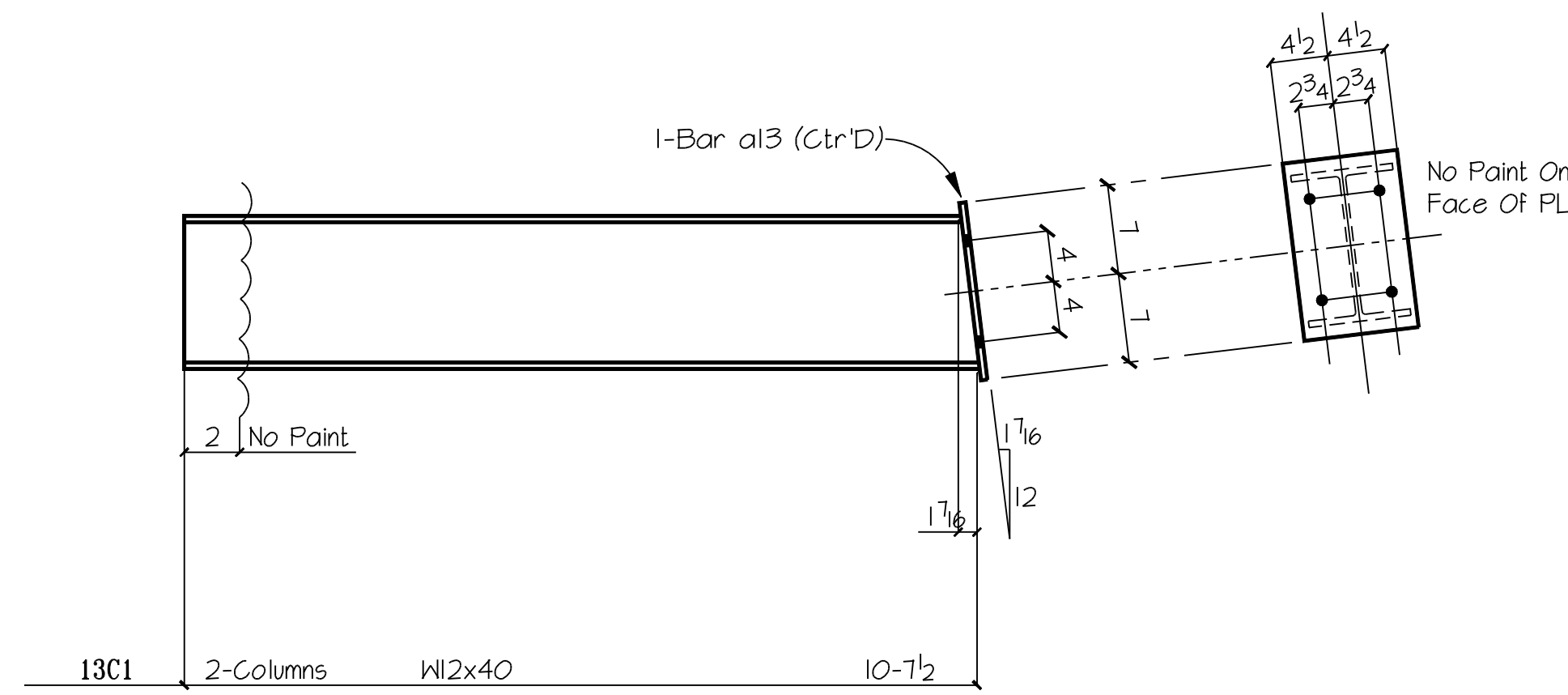


Useable Template Mark Letters  
 a b c d e f g h j k m n p q r s t v w x y z  
 TSP FN: DaySpa\_D3.dwg

- DESCRIPTION OF REVISIONS MADE TO DRAWING -				
1				
2				
3				
	REVISION DESCRIPTION	DATE	MADE BY	CHK BY
	REF DWG E1, E2 & 1S24, 8S31			

MATERIAL GRADE SHELL BE	A36	U.N.O.
WF SHAPES	A992	TUBES A500
CHANNELS	A992	PIPES A501 or A53
COATING	One 5/C Red Oxide Primer	
13/16" OPEN HOLE	1/4" FILLETS	E700XX ELECTRODES
APPROVAL	TO SHOP	

PLAN OF	Framing Plan For Canopy's
CUSTOMER	
ARCHITECT	
PROJECT	Whispering Waters Day Spa
LOCATION	
DETAIL	DY 4-3-08
JOB #	8007
SHEET #	E 4



- BILL OF MATERIAL -						INSPECTION	
SHIP MK	TEMP MK	QTY	DESCRIPTION	LENGTH	REMARKS	WELDER	FINALE
	13C1	2	W12x40	10-7 1/2			
	a13	2	Bar 1/2 x 9	1-2			
	13B1	2	C8x11.5	5-3/4			
	13B2	2	W12x40	15-11			
	b13	2	Bar 1/2 x 9	0-9 1/2			
	13B3	2	W12x16	15-11 1/4			
	sa2	4	L 3 x 4 x 5/16	0-6	GOL=1 1/8		
	13B4	1	W12x16	16-0 1/4			
	c13	2	L 4 x 4 5/16	0-8			
	13B6	3	TS 3 x 3 x 5/16	16-8			
	13C2	2	W12x40	26-6 1/8			
	d13	2	Bar 1/2 x 9	1-2			
	13B8	2	W12x40	10-11			
	e3	2	Bar 1/2 x 9	0-9 1/2			
	13B9	1	C8x11.5	14-0			
	13B10	6	C8x11.5	9-4			
	3B9	1	W12x14	11-10 5/8			
	f13	4	L 3 x 4 x 5/16	0-6	GOL=2 5/8		

- DESCRIPTION OF REVISIONS MADE TO DRAWING -				
1				
2				
3				
	REVISION DESCRIPTION	DATE	MADE BY	CHK BY
	REF DWG E1, E2 & I/524, 8531			

MATERIAL GRADE SHELL BE <u>A36</u> U.N.O.	PLAN OF <u>Steel For Canopy's</u>
WF SHAPES <u>A992</u> TUBES <u>A500</u>	CUSTOMER _____
CHANNELS <u>A992</u> PIPES <u>A501 or A53</u>	ARCHITECT _____
COATING <u>One 5/C Red Oxide Primer</u>	PROJECT <u>Whispering Waters Day Spa</u>
<u>13/16</u> OPEN HOLE	LOCATION _____
<u>1/4</u> FILLETS	DETAIL <u>DR</u> 4-21-08
E700XX ELECTRODES	JOB # <u>8007</u>
APPROVAL _____ TO SHOP _____	SHEET # <u>D13</u>

Useable Template Mark Letters  
a b c d e f g h i j k l m n o p q r s t u v w x y z  
TSD FN: DaySpa\_D3.dwg