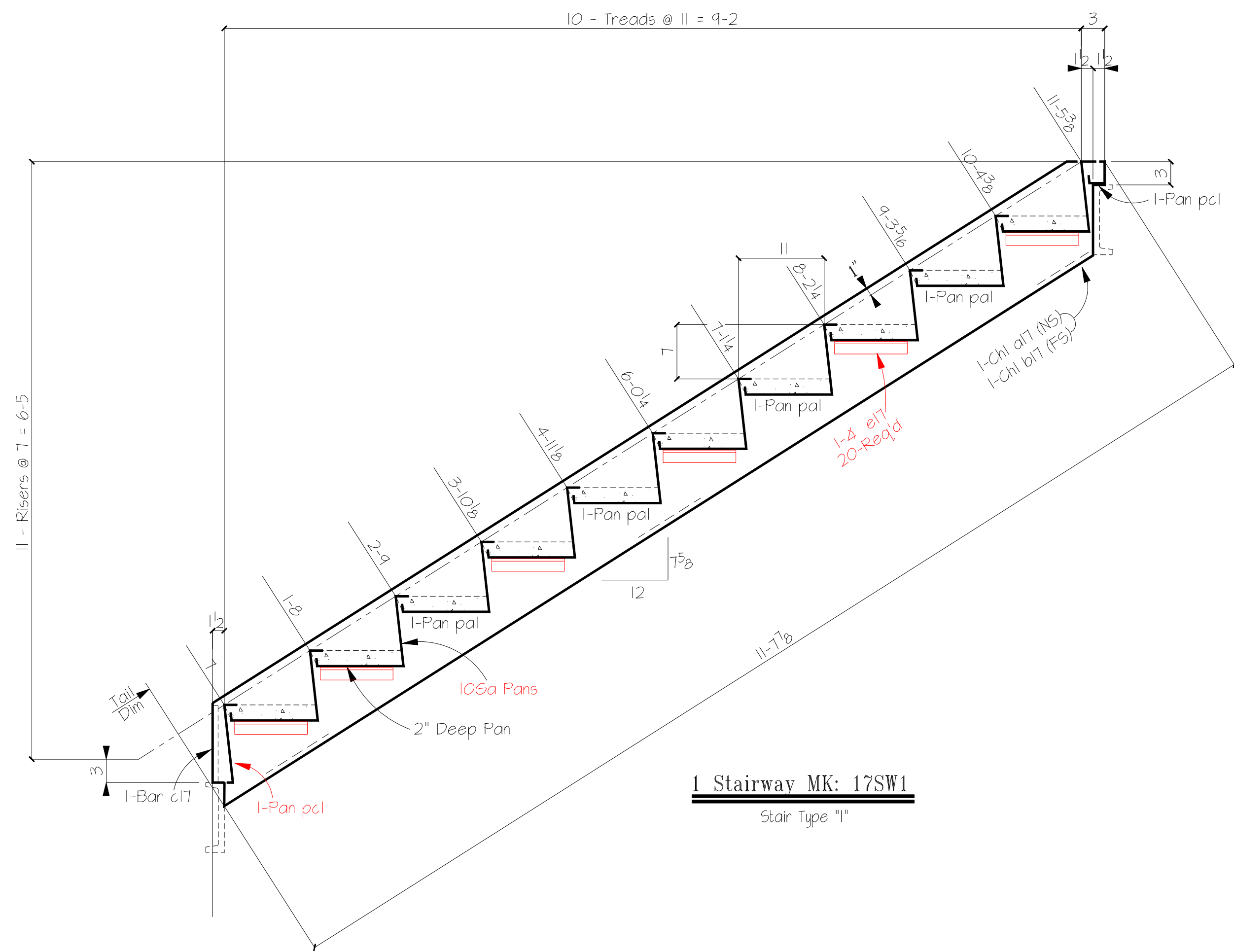


Useable Template Mark Letters  
p p c d e l g h j k m n p q r s t v w x y z  
TSP FN: DaySpa\_STI-jdwkg

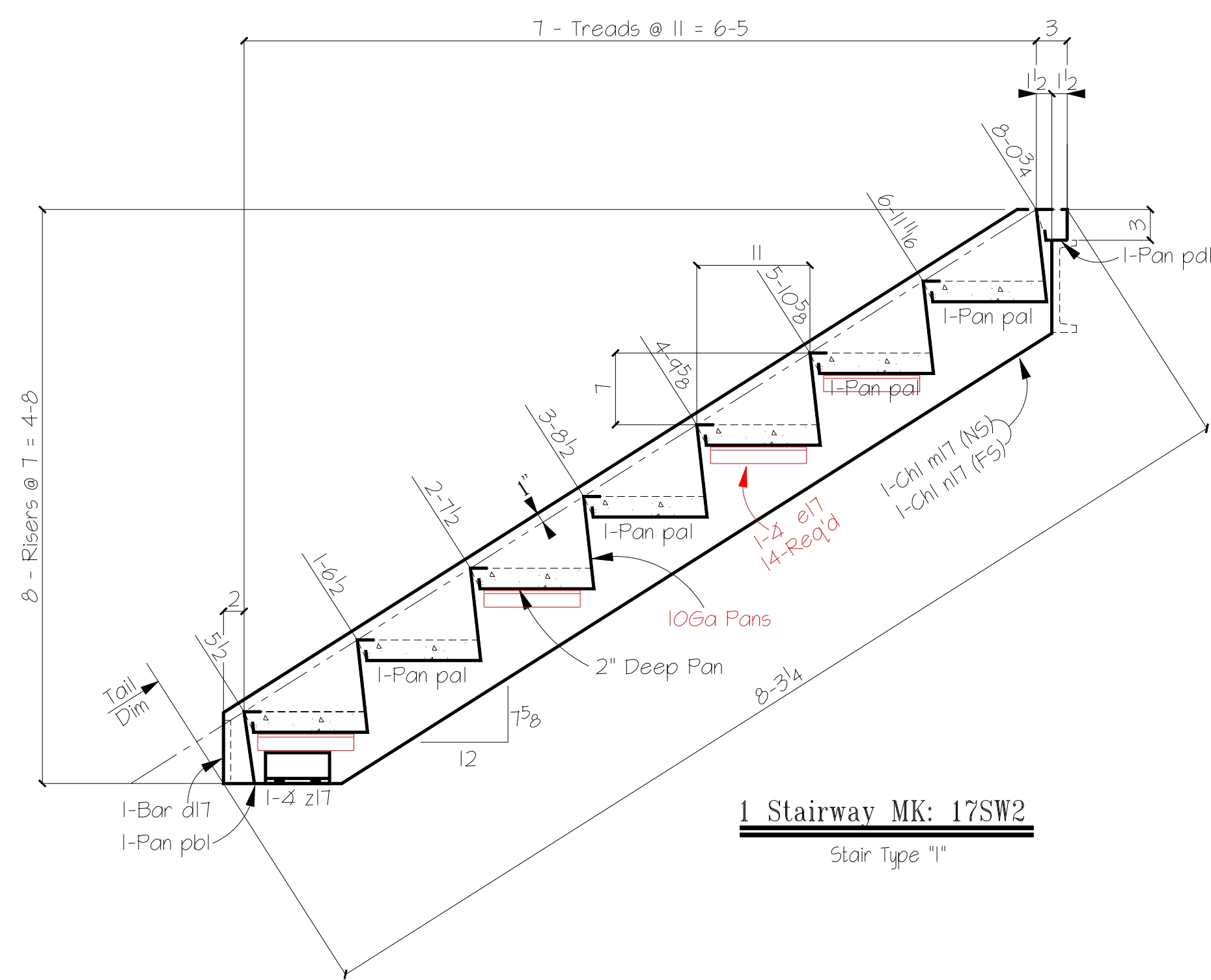
- DESCRIPTION OF REVISIONS MADE TO DRAWING -		MATERIAL GRADE SHELL BE <u>A36</u> U.N.O.		J&D Steel	
1		WF SHAPES <u>A992</u>	TUBES <u>A500</u>	DETAILS OF <u>Stair #1 - Plan Layout</u>	
2		CHANNELS <u>A992</u>	PIPES <u>A501 or A53</u>	CUSTOMER <u>Crownhill Builders Inc</u>	
3		COATING <u>One S/C Red Oxide Primer</u>		ARCHITECT <u>DHR Durand Hollis Rupe</u>	
	REVISION DESCRIPTION	DATE	MADE BY	CHK BY	SHOPED
	REF DWG <u>A1.2</u>				
				APPROVAL	TO SHOP
				DETAIL <u>DY</u>	JOB # <u>8007</u>
				CHK.R <u>MG</u>	SHEET # <u>SE1</u>

CUSTOMER Crownhill Builders Inc  
ARCHITECT DHR Durand Hollis Rupe  
PROJECT Whispering Waters Day Spa  
LOCATION 13111 Heubner Rd

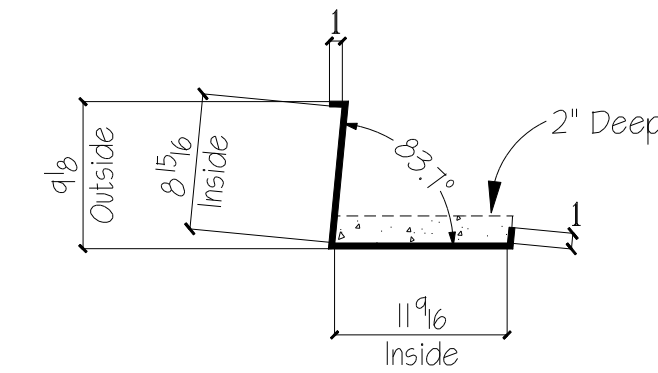
DETAIL DY 4-23-08  
JOB # 8007  
SHEET # SE1



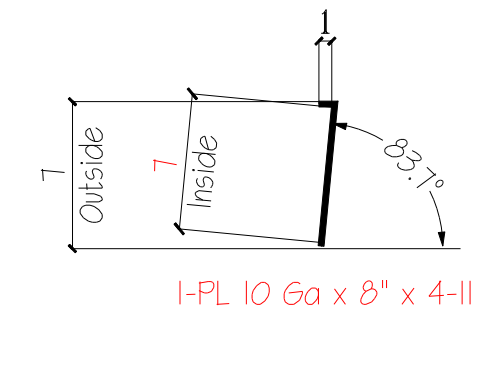
**1 Stairway MK: 17SW1**  
Stair Type "1"



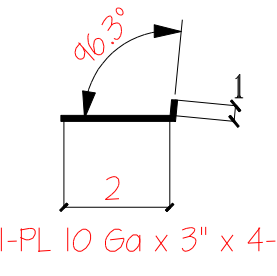
**1 Stairway MK: 17SW2**  
Stair Type "1"



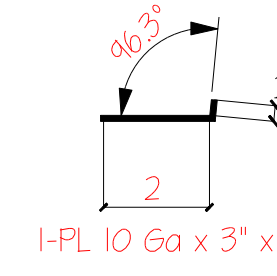
**Detail of Bent PL pal**  
I-PL 10 Ga x 22 1/2" x 4-11  
(10 - Req'd) Per Each 17SW1  
(7 - Req'd) Per Each 17SW2



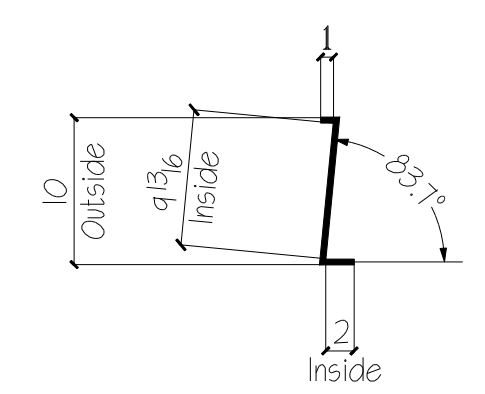
**Detail of Bent PL pbl**  
(1 - Req'd) Per Each 17SW2



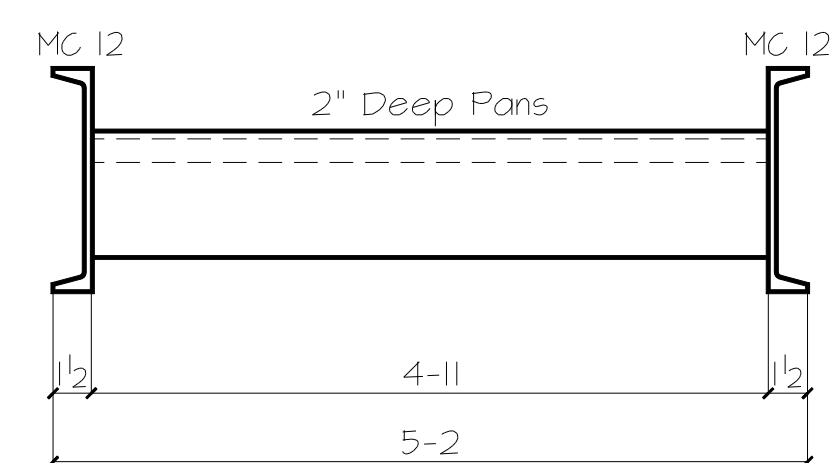
**Detail of Bent PL pcl**  
(1 - Req'd) Per Each 17SW1



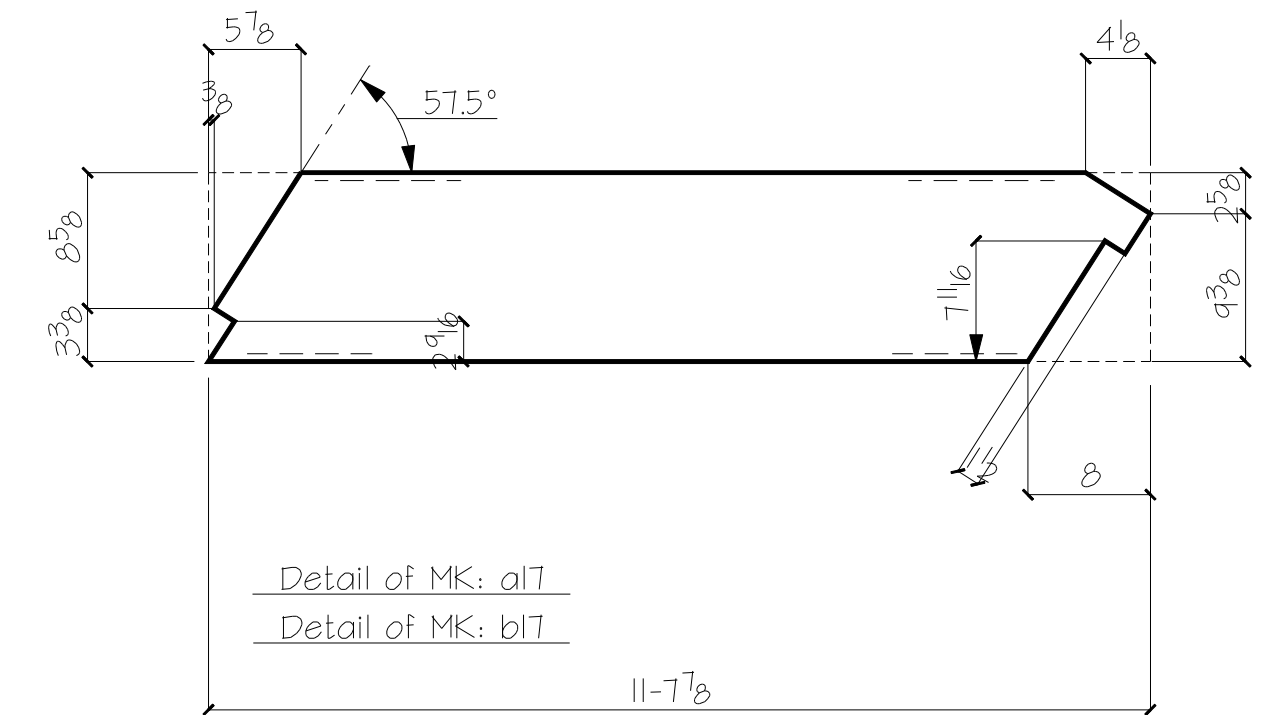
**Detail of Bent PL pdl**  
(1 - Req'd) Per Each 17SW2



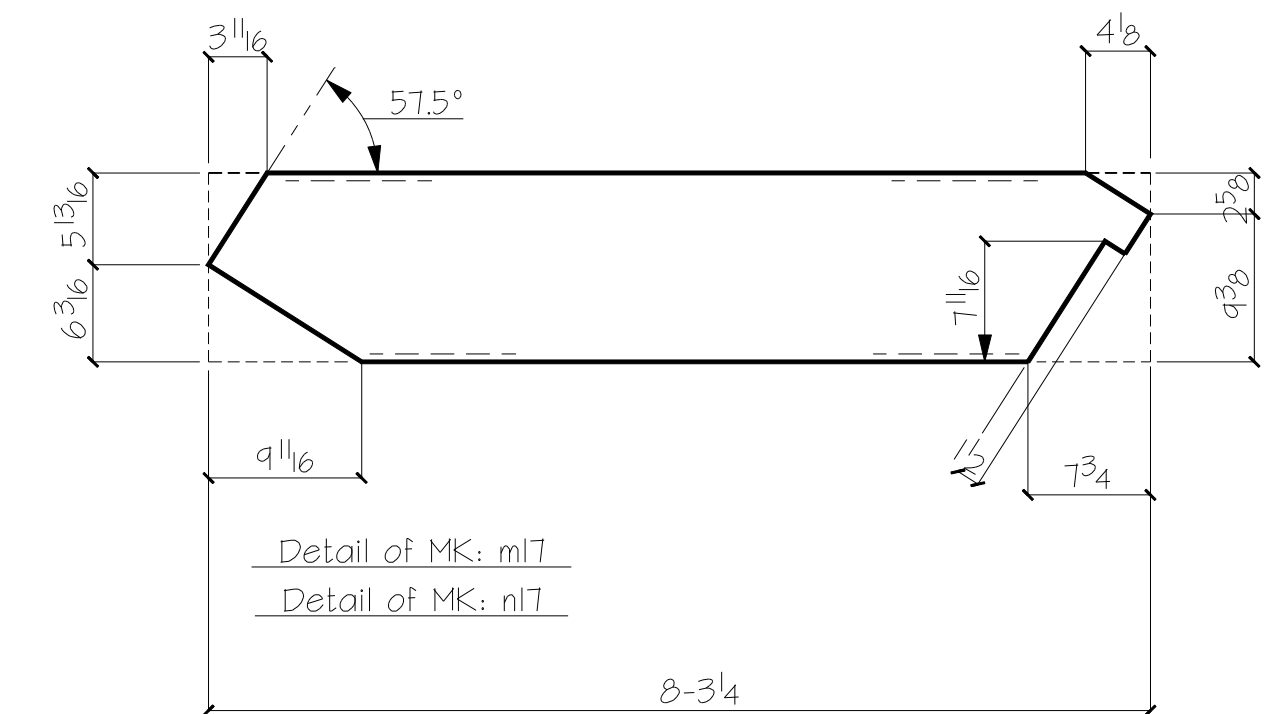
**Detail of Bent PL pal**  
(1 - Req'd) Per Each 17SW1  
(1 - Req'd) Per Each 18SW1



**Stair Front View**



Detail of MK: a17  
Detail of MK: b17



Detail of MK: m17  
Detail of MK: n17

- BILL OF MATERIAL -						INSPECTION	
SHIP MK	TEMP MK	QTY	DESCRIPTION	LENGTH	REMARKS	WELDER	FINALE
17SW1		1	Stair Stringer				
	a17	1	MC 12 x 10.6	11-7 1/2			
	b17	1	MC 12 x 10.6	11-7 1/2			
	c17	2	Bar 1/4 x 1 1/4	0-10			
	e17	20	4 1 x 1 x 1/8	0-9 1/2			
17SW2		1	Stair Stringer				
	m17	1	MC 12 x 10.6	8-3 1/4			
	n17	1	MC 12 x 10.6	8-3 1/4			
	d17	2	Bar 1/4 x 1 1/4	0-6 1/4			
	e17	14	4 1 x 1 x 1/8	0-9 1/2			

Useable Template Mark Letters  
p q r s t u v w x y z  
TSP FN: DaySpa\_5T1-jdwg

- DESCRIPTION OF REVISIONS MADE TO DRAWING -			MATERIAL GRADE SHELL BE A36 U.N.O.		J&D Steel	
1			WF SHAPES A992	TUBES A500	DETAILS OF Parts For Stair Type "1"	
2			CHANNELS A992	PIPES A501 or A53	CUSTOMER Crownhill Builders Inc	
3			COATING One S/C Red Oxide Primer		ARCHITECT DHR Durand Hollis Rupe	
REVISION DESCRIPTION			DATE	MADE BY	CHK BY	SHOPED
REF DWG E2 & S2.2			13/16"	1/4"	E700XX	
			OPEN HOLE	FILLET	ELECTRODES	
APPROVAL			TO SHOP		8-11-08	
			CHK.R		MS	8-24-08
			JOB #		8007	SHEET #
						D17

