

- BILL OF MATERIAL -						INSPECTION	
SHIP MK	TEMP MK	QTY	DESCRIPTION	LENGTH	REMARKS	WELDER	FINALE
		2	W16x26	19-3 ³ / ₄			
		1	W12x14	19-3 ³ / ₄			
		1	W16x31	18-7 ³ / ₄			
		1	W14x22	18-7 ³ / ₄			
		1	W12x14	10-10			
		1	W18x35	21-1 ¹ / ₂			
		1	W12x14	18-3 ³ / ₄			
	sa2	4	L 4 x 3 x ⁵ / ₁₆	0-6	GOL=1 ¹ / ₈		
		2	W10x12	6-0 ⁴ / ₄			
		1	W12x14	5-8			
		1	W12x14	11-9			
		1	W12x14	7-9 ¹ / ₄			
		1	W12x14	3-9 ¹ / ₂			
	sa2	2	L 4 x 3 x ⁵ / ₁₆	0-6	GOL=1 ¹ / ₈		
		1	W12x14	18-3			
	sa2	4	L 4 x 3 x ⁵ / ₁₆	0-6	GOL=1 ¹ / ₈		
		1	W24x55	24-9			
		1	W24x55	28-0			
		1	W21x50	28-2 ³ / ₈			
	sa4	2	L 4 x 3 x ⁵ / ₁₆	1-0	GOL=1 ¹ / ₈		
		1	W16x31	18-7			

- DESCRIPTION OF REVISIONS MADE TO DRAWING -

1					
2					
3					

REVISION DESCRIPTION DATE MADE BY CHK BY SHOPED

REF DWG E2 & S2.2

MATERIAL GRADE SHELL BE	A36	U.N.O.
WF SHAPES	A992	TUBES A500
CHANNELS	A992	PIPES A501 or A53
COATING	One S/C Red Oxide Primer	
13/16"	1/4"	E700XX
OPEN HOLE	FILLET'S	ELECTRODES
APPROVAL _____ TO SHOP _____		
DETAILS OF Second Floor Beams		
CUSTOMER _____		
ARCHITECT _____		
PROJECT Whispering Waters Day Spa		
LOCATION _____		
DETAIL	DR	4-6-08
CHK.R		
JOB #	8007	
SHEET #	D 1	

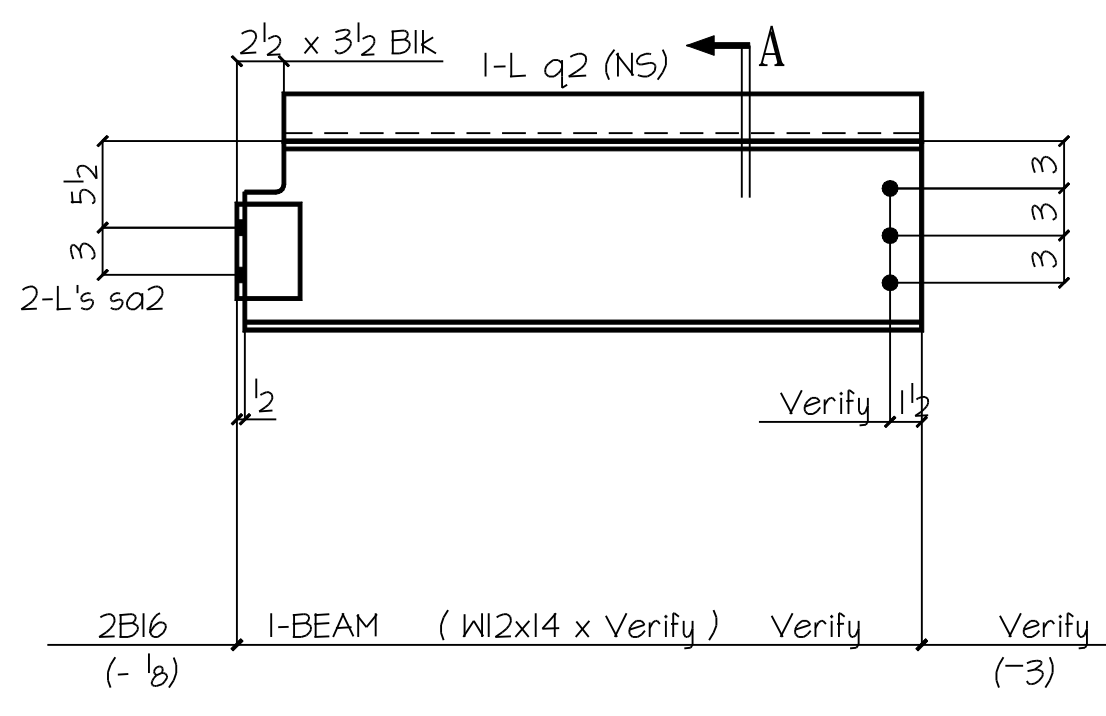
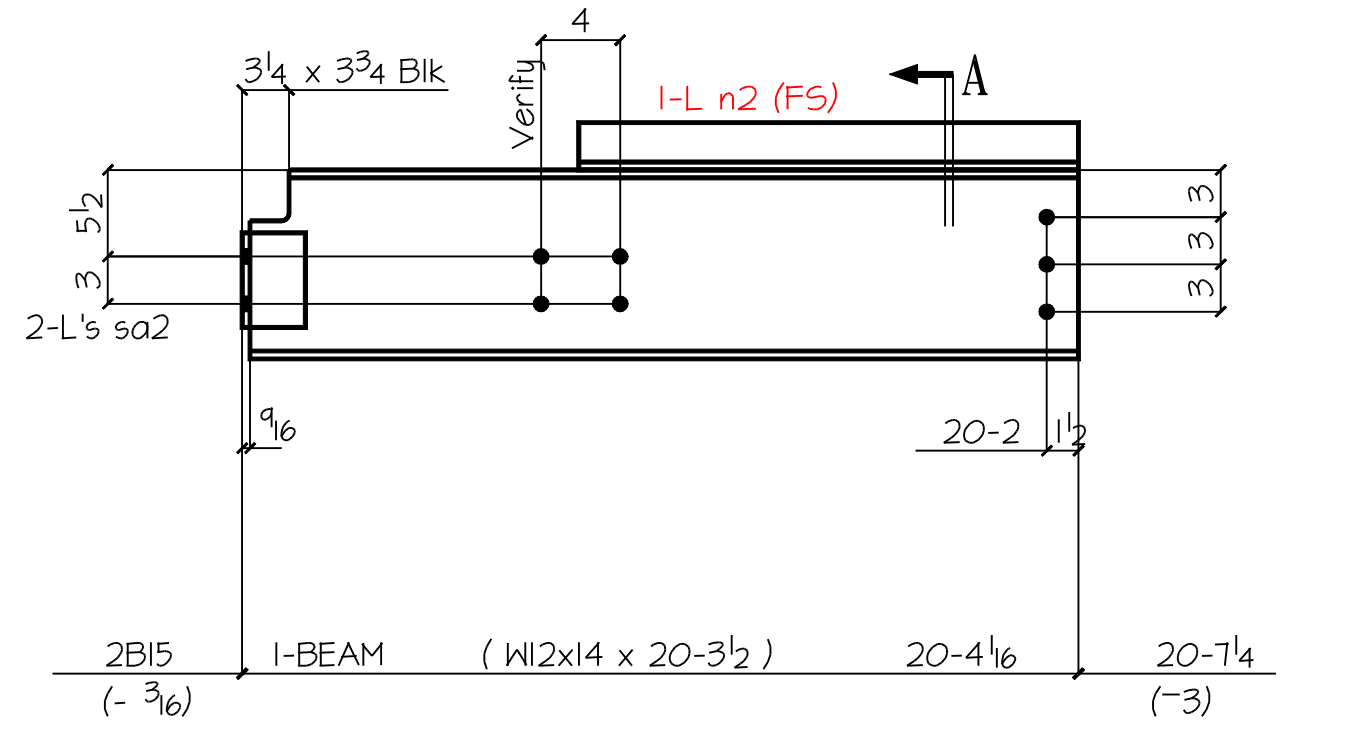
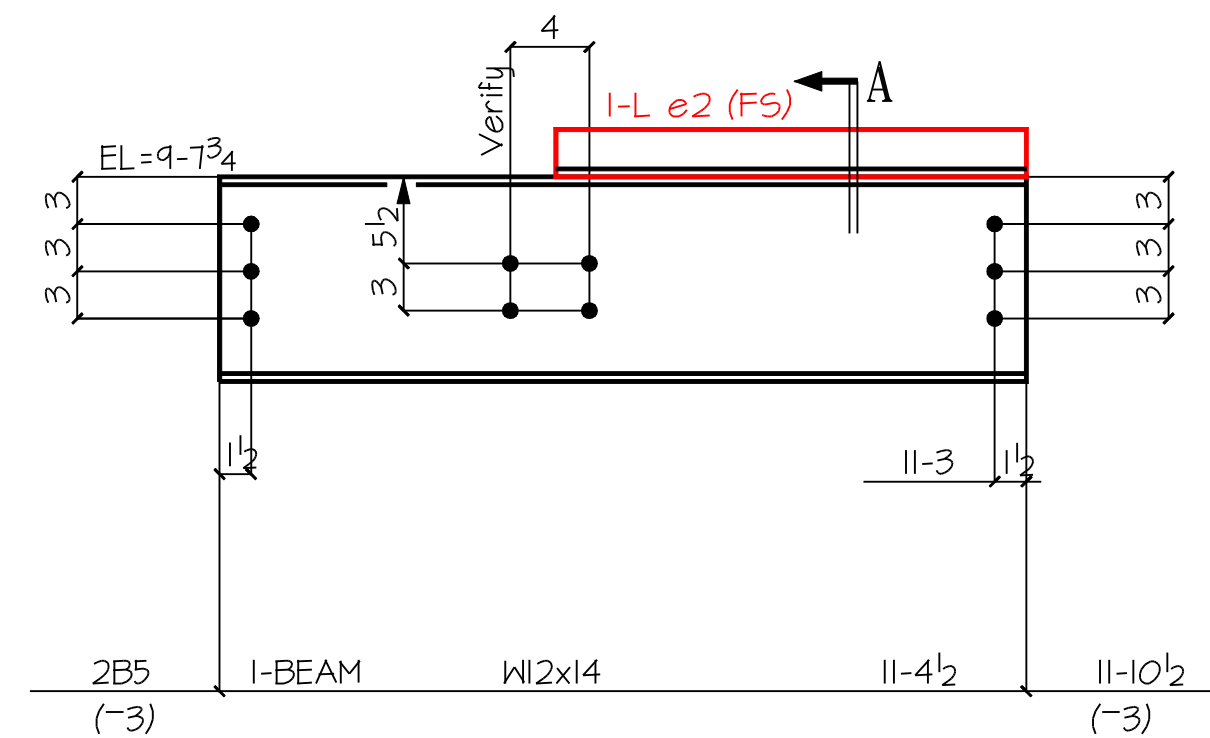
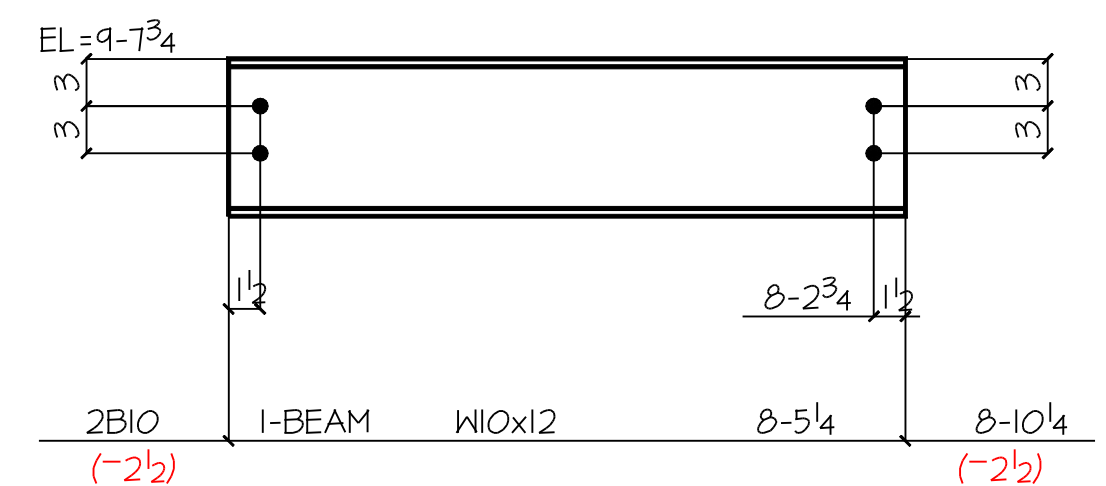
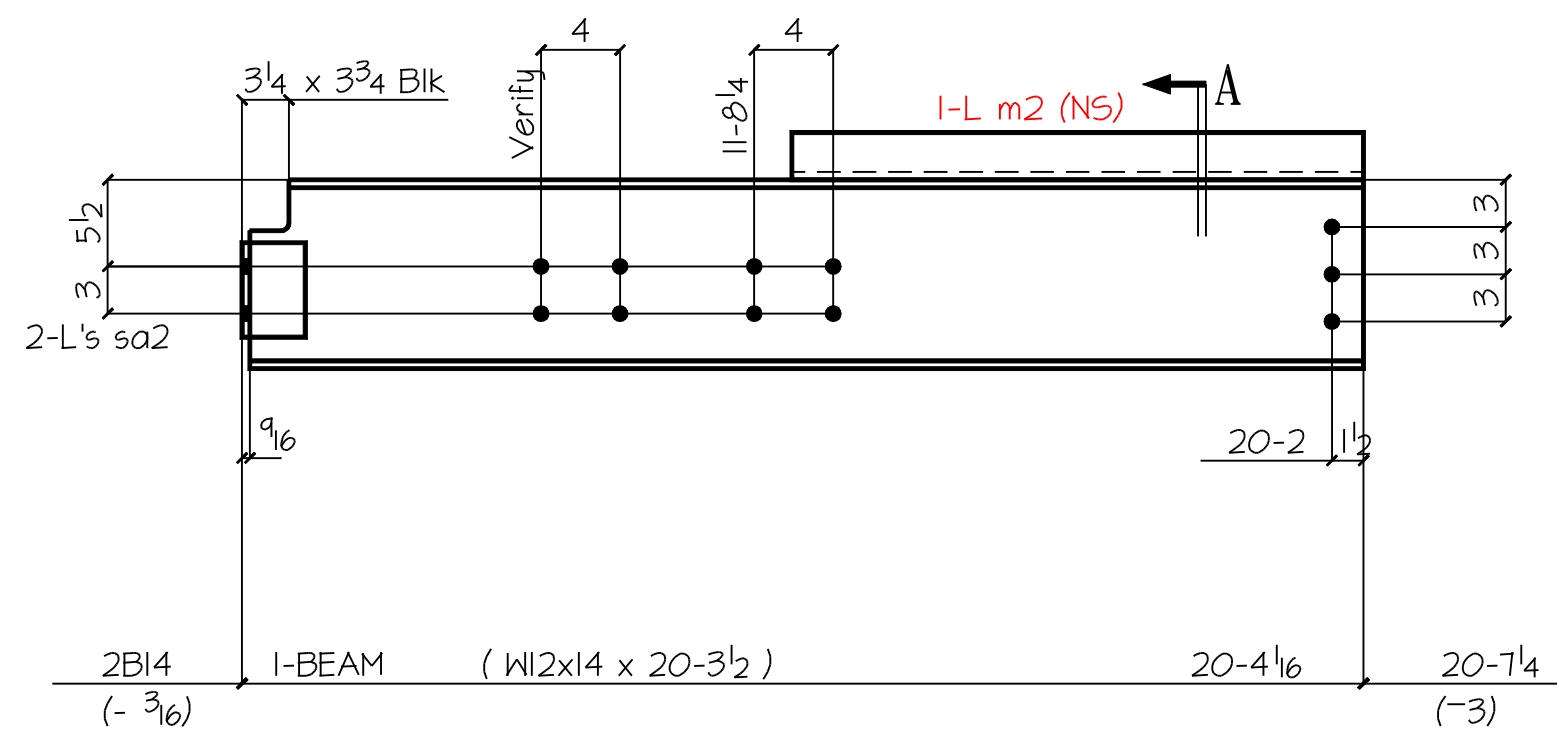
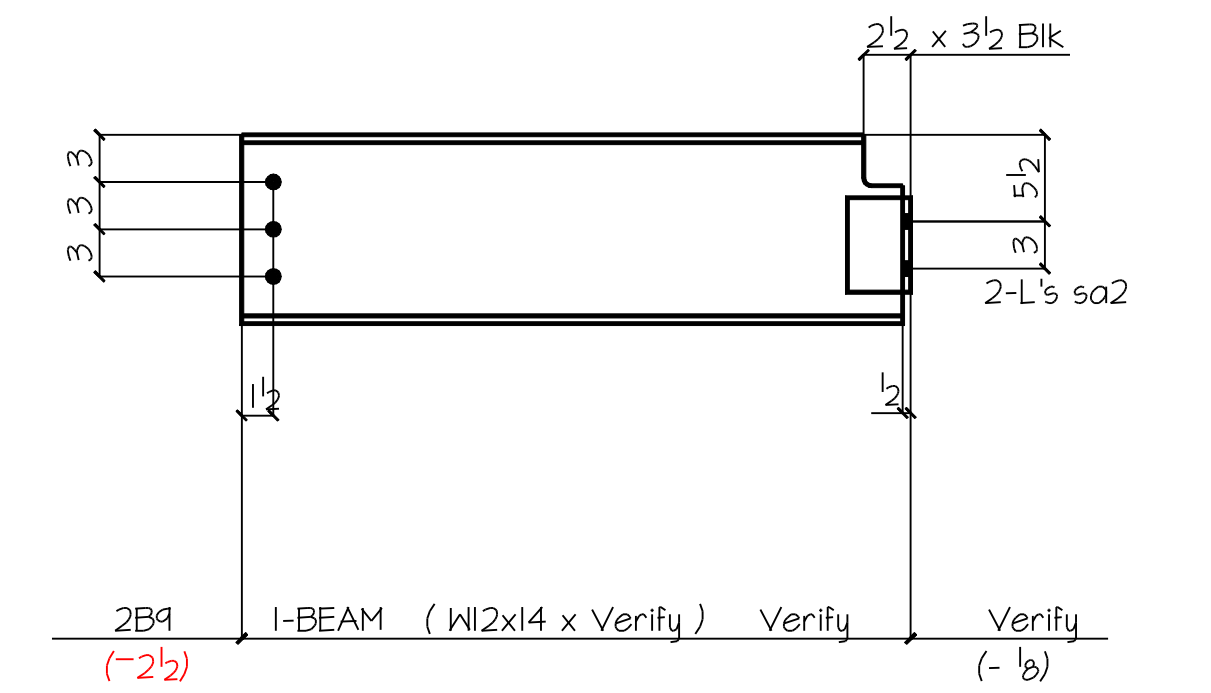
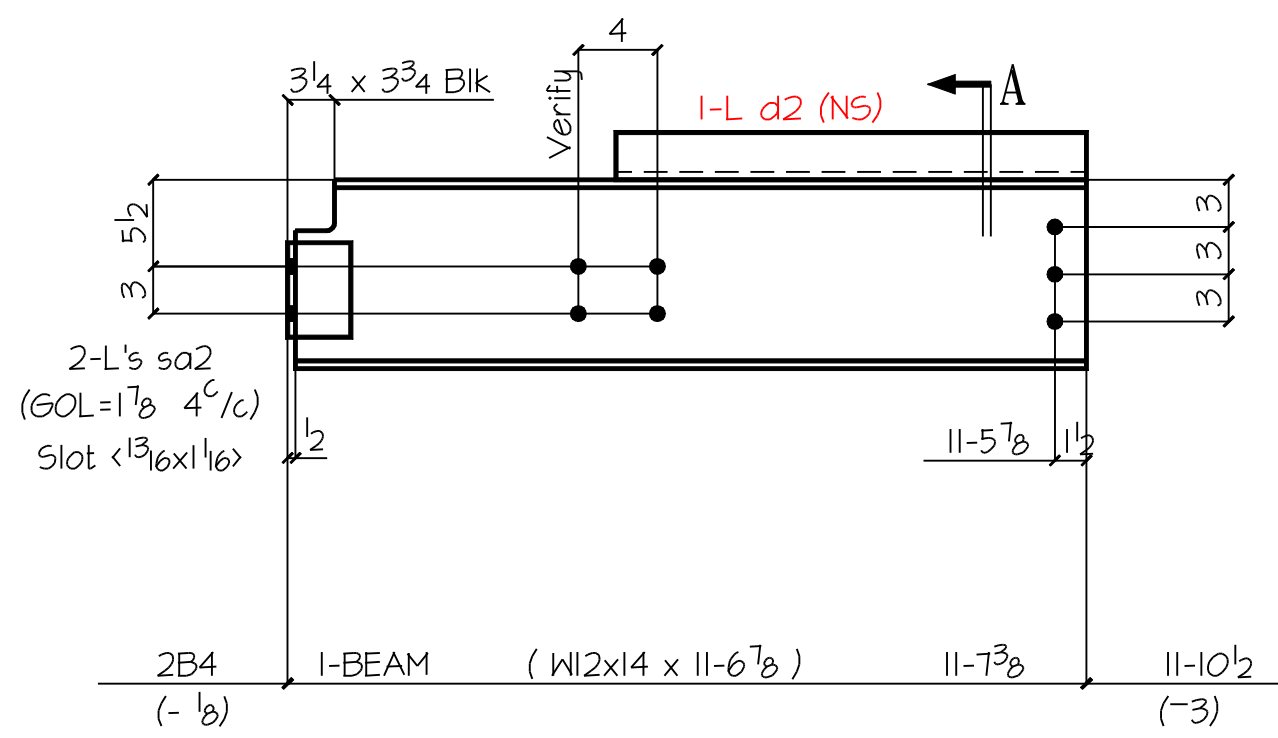
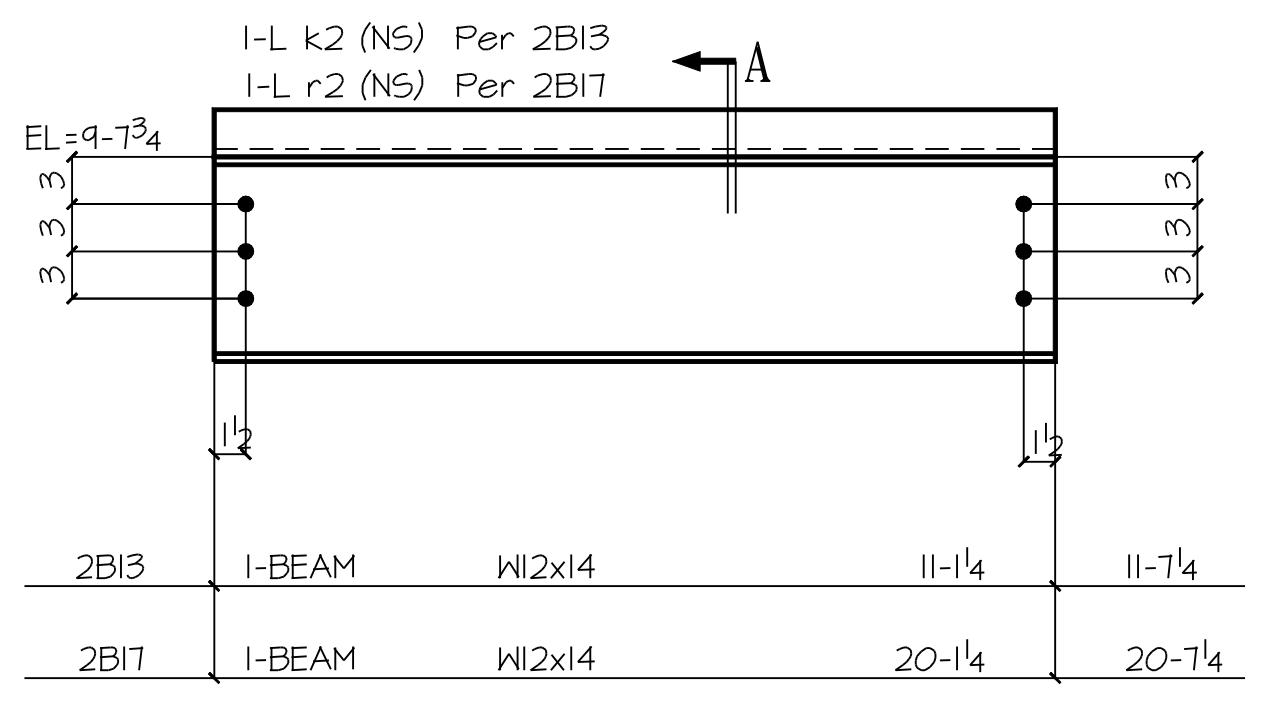
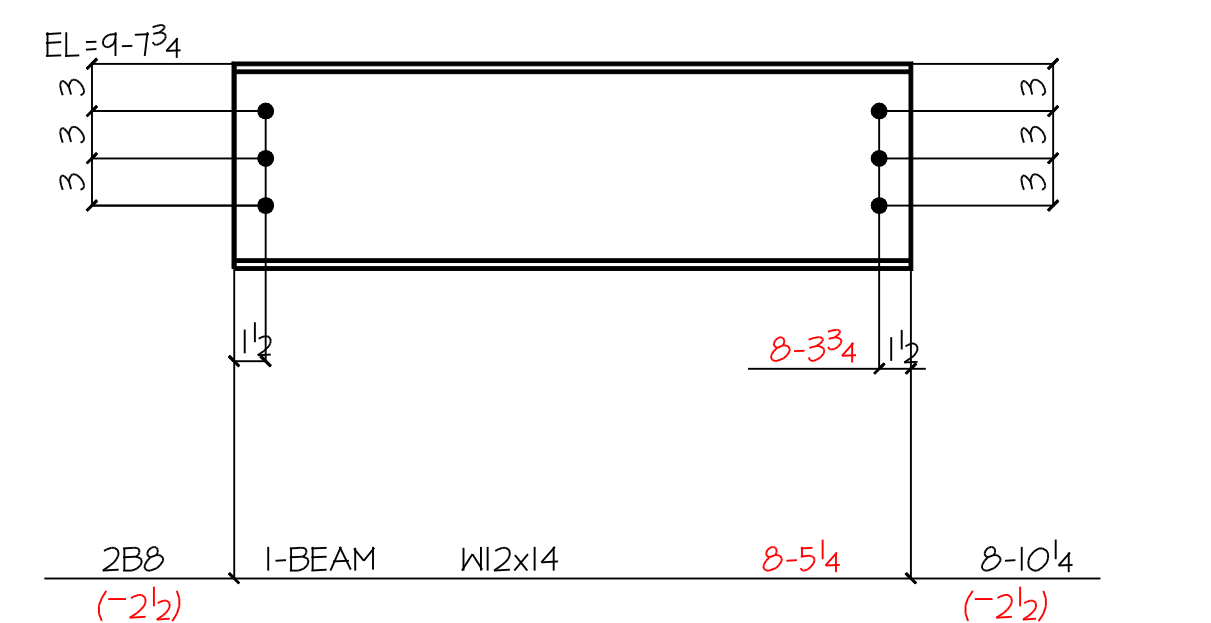
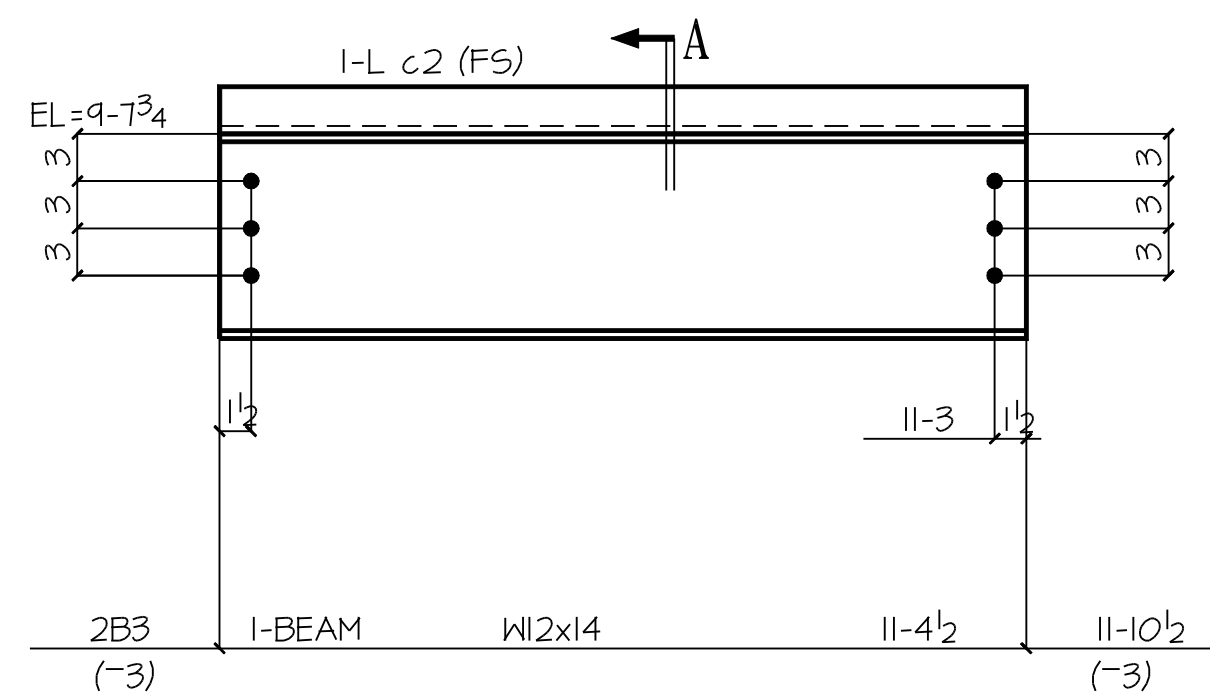
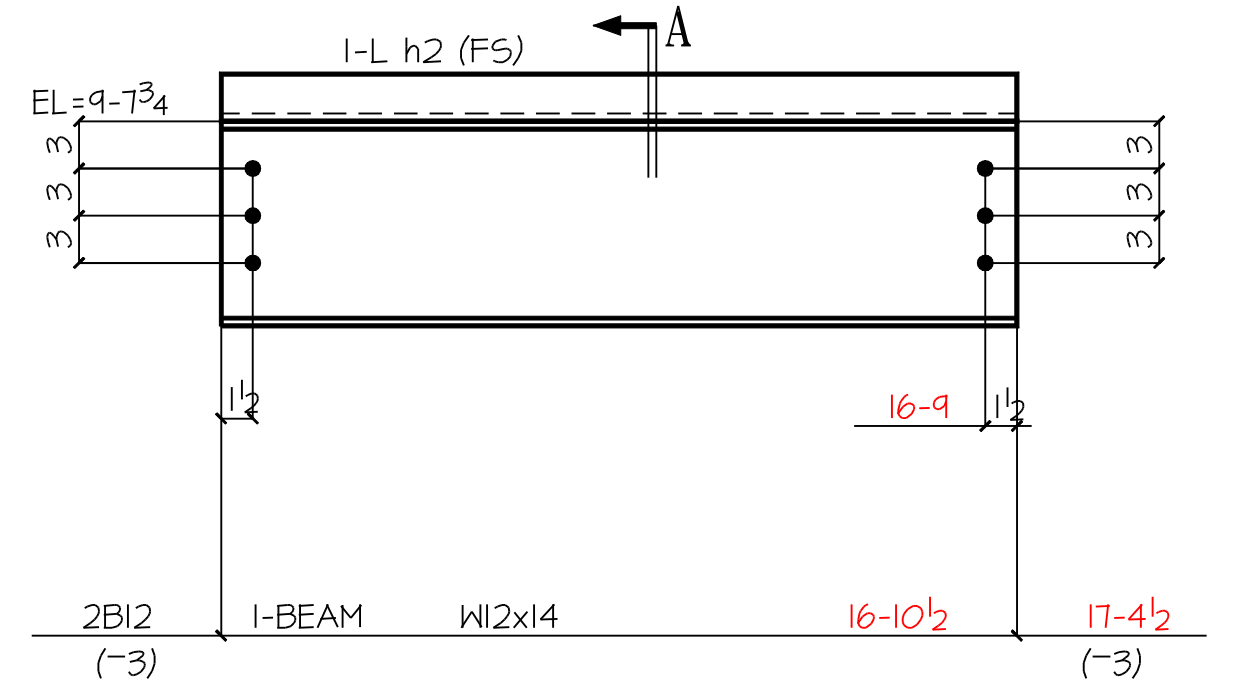
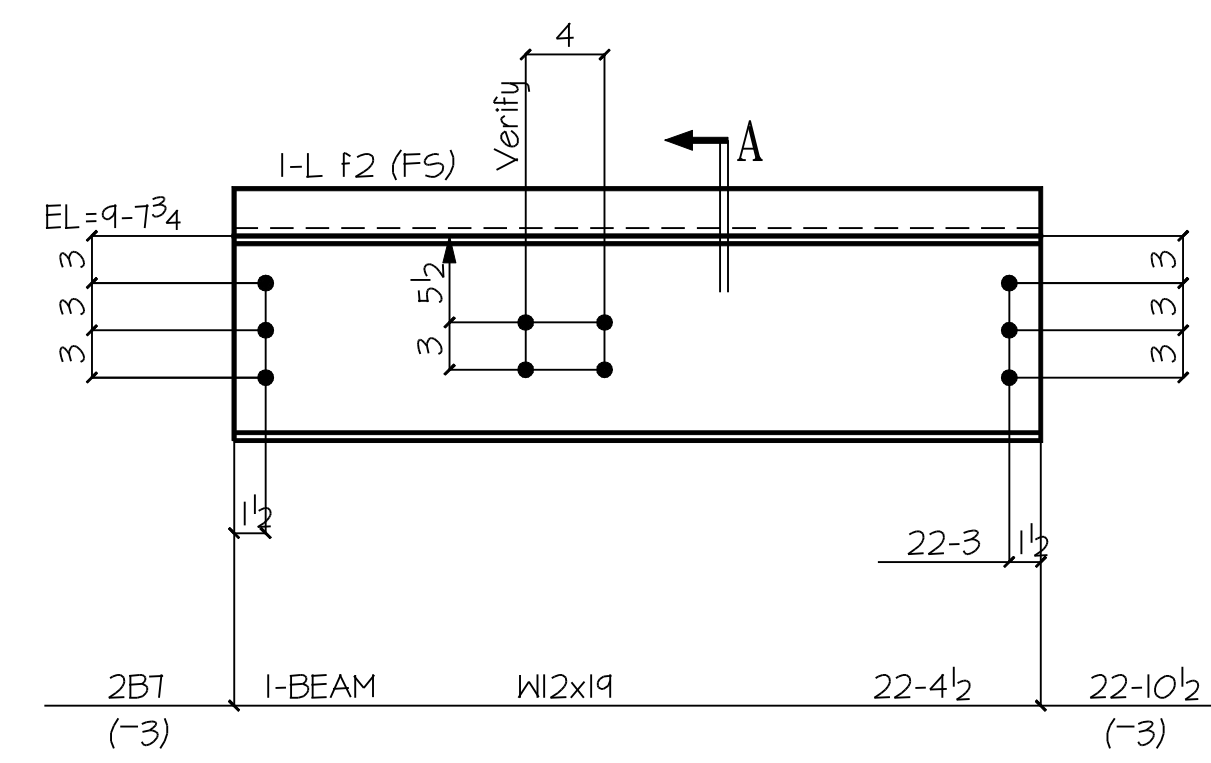
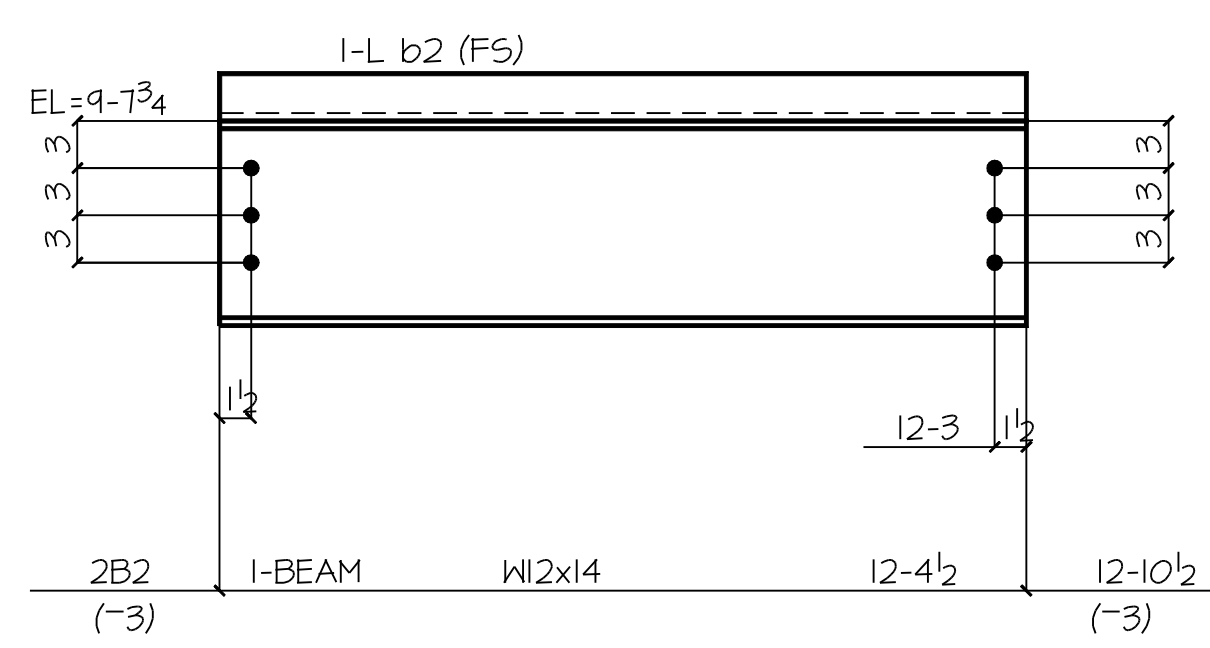
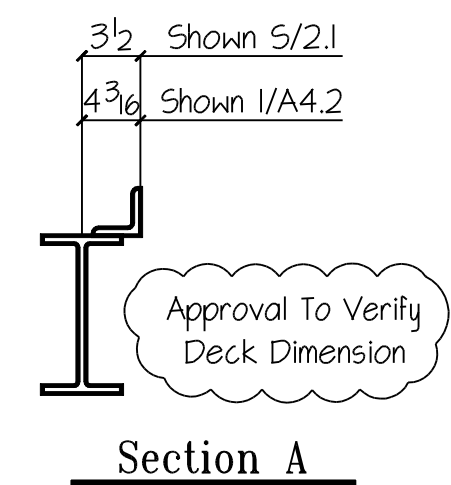
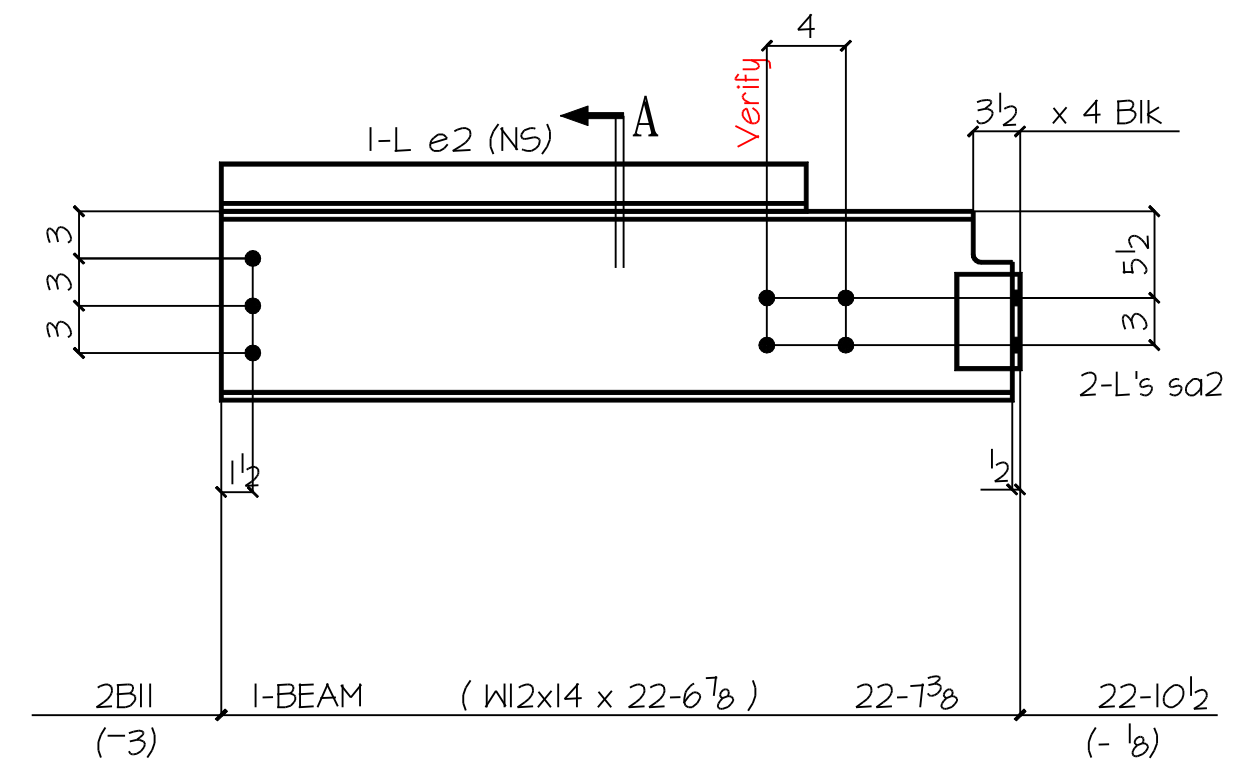
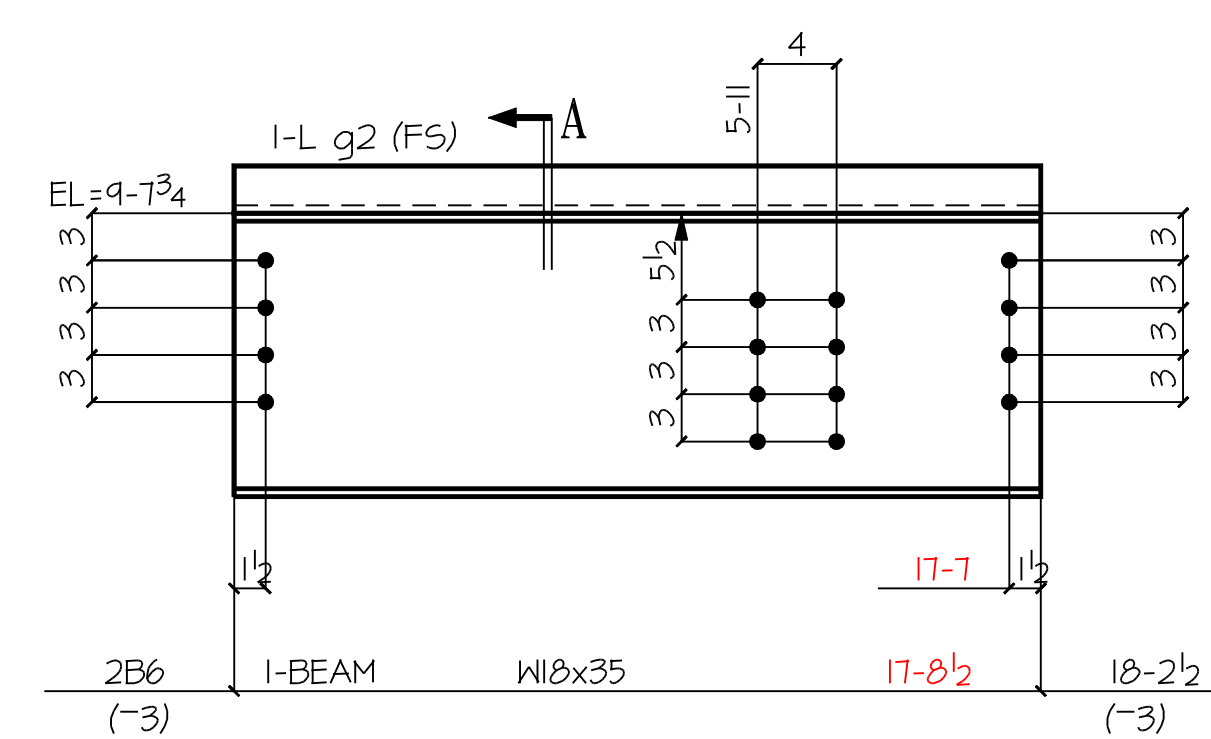
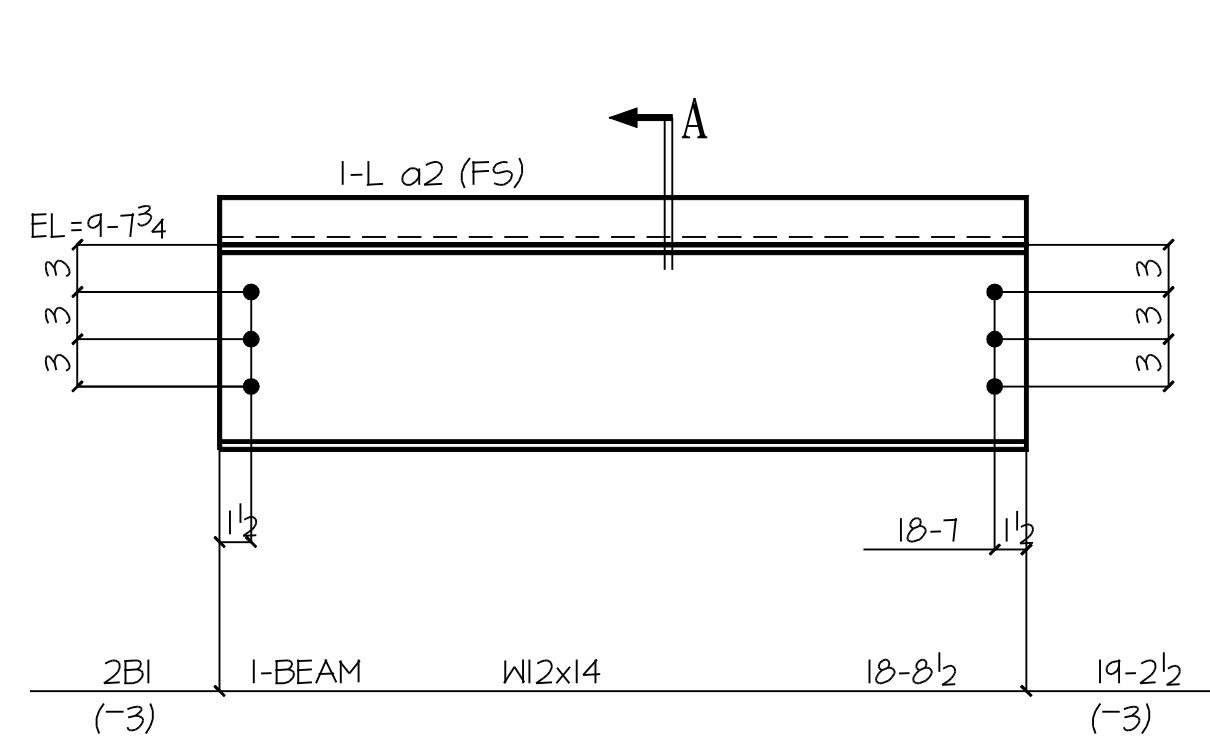
Useable Template Mark Letters
a b c d e f g h j k m n p q r s t v w x y z

Useable Template Mark Letters
c d e f g h j k m n p q r s t v w x y z
TSD FN: DaySpa_D3.dwg

- BILL OF MATERIAL -

INSPECTION

SHIP MK	TEMP MK	QTY	DESCRIPTION	LENGTH	REMARKS	WELDER	FINALE
2B1		1	W12x14	18-8 1/2			
	a2	1	L 3 1/2 x 3 1/2 x 1/4	18-8 1/2			
2B2		1	W12x14	12-4 1/2			
	b2	1	L 3 1/2 x 3 1/2 x 1/4	12-4 1/2			
2B3		1	W12x14	11-4 1/2			
	c2	1	L 3 1/2 x 3 1/2 x 1/4	11-4 1/2			
2B4		1	W12x14	11-6 7/8			
	d2	1	L 3 1/2 x 3 1/2 x 1/4	Vry			
2B5		1	W12x14	11-4 1/2			
	e2	1	L 3 1/2 x 3 1/2 x 1/4	Vry			
2B6		1	W18x35	17-8 1/2			
	g2	1	L 3 1/2 x 3 1/2 x 1/4	17-8 1/2			
2B7		1	W12x19	22-4 1/2			
	f2	1	L 3 1/2 x 3 1/2 x 1/4	22-4 1/2			
2B8		1	W12x14	8-5 1/4			
2B9		1	W12x14	VRY			
	sa2	2	L 4 x 3 x 5/16	0-6	GOL=1 7/8		
2B10		1	W10x12	8-5 1/4			
2B11		1	W12x14	22-6 7/8			
	sa2	2	L 4 x 3 x 5/16	0-6	GOL=1 7/8		
	e2	1	L 3 1/2 x 3 1/2 x 1/4	VRY			
2B12		1	W12x14	17-6 1/2			
	h2	1	L 3 1/2 x 3 1/2 x 1/4	17-6 1/2			
2B13		1	W12x14	11-1 1/4			
	k2	1	L 3 1/2 x 3 1/2 x 1/4	11-1 1/4			
2B14		1	W12x14	20-3 1/2			
	sa2	2	L 4 x 3 x 5/16	0-6	GOL=1 7/8		
	m2	1	L 3 1/2 x 3 1/2 x 1/4	8-5 3/4			
2B15		1	W12x14	20-3 1/2			
	n2	1	L 3 1/2 x 3 1/2 x 1/4	VRY			
2B16		1	W12x14	VRY			
	q2	1	L 3 1/2 x 3 1/2 x 1/4	VRY			
2B17		1	W12x14	20-1 1/4			
	r2	1	L 3 1/2 x 3 1/2 x 1/4	20-1 1/4			



Usable Template Mark Letters
a b c d e f g h j k m n p q r s t v w x y z

- DESCRIPTION OF REVISIONS MADE TO DRAWING -

1					
2					
3					
	REVISION DESCRIPTION	DATE	MADE BY	CHK BY	SHOPED
	REF DWG <u>E2 & S2.2</u>				

MATERIAL GRADE SHELL BE <u>A36</u> U.N.O.	DETAILS OF <u>Second Floor Beams</u>
WF SHAPES <u>A992</u> TUBES <u>A500</u>	CUSTOMER _____
CHANNELS <u>A992</u> PIPES <u>A501 or A53</u>	ARCHITECT _____
COATING <u>One 5/C Red Oxide Primer</u>	PROJECT <u>Whispering Waters Day Spa</u>
<u>13/16"</u> OPEN HOLE	LOCATION _____
<u>1/4"</u> FILLETS	DETAIL <u>DR 4-6-08</u>
E700XX ELECTRODES	CHK.R _____
APPROVAL _____ TO SHOP _____	JOB # <u>8007</u>
	SHEET # <u>D 2</u>

Usable Template Mark Letters
a b c d e f g h j k m n p q r s t v w x y z
TSP FN: DaySpa_D3.dwg