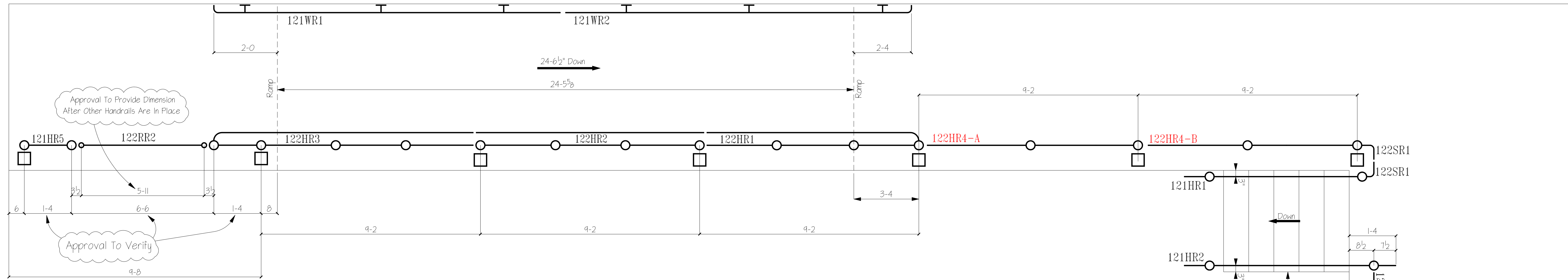
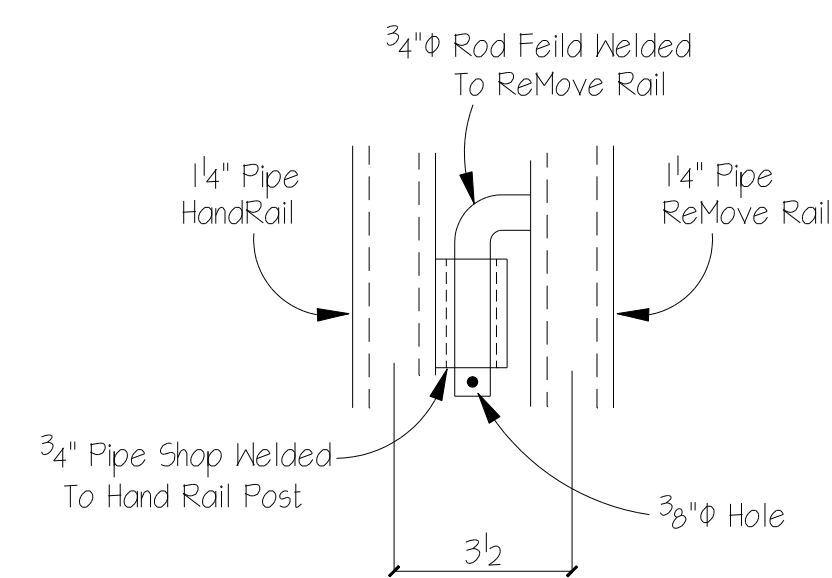


See E-123

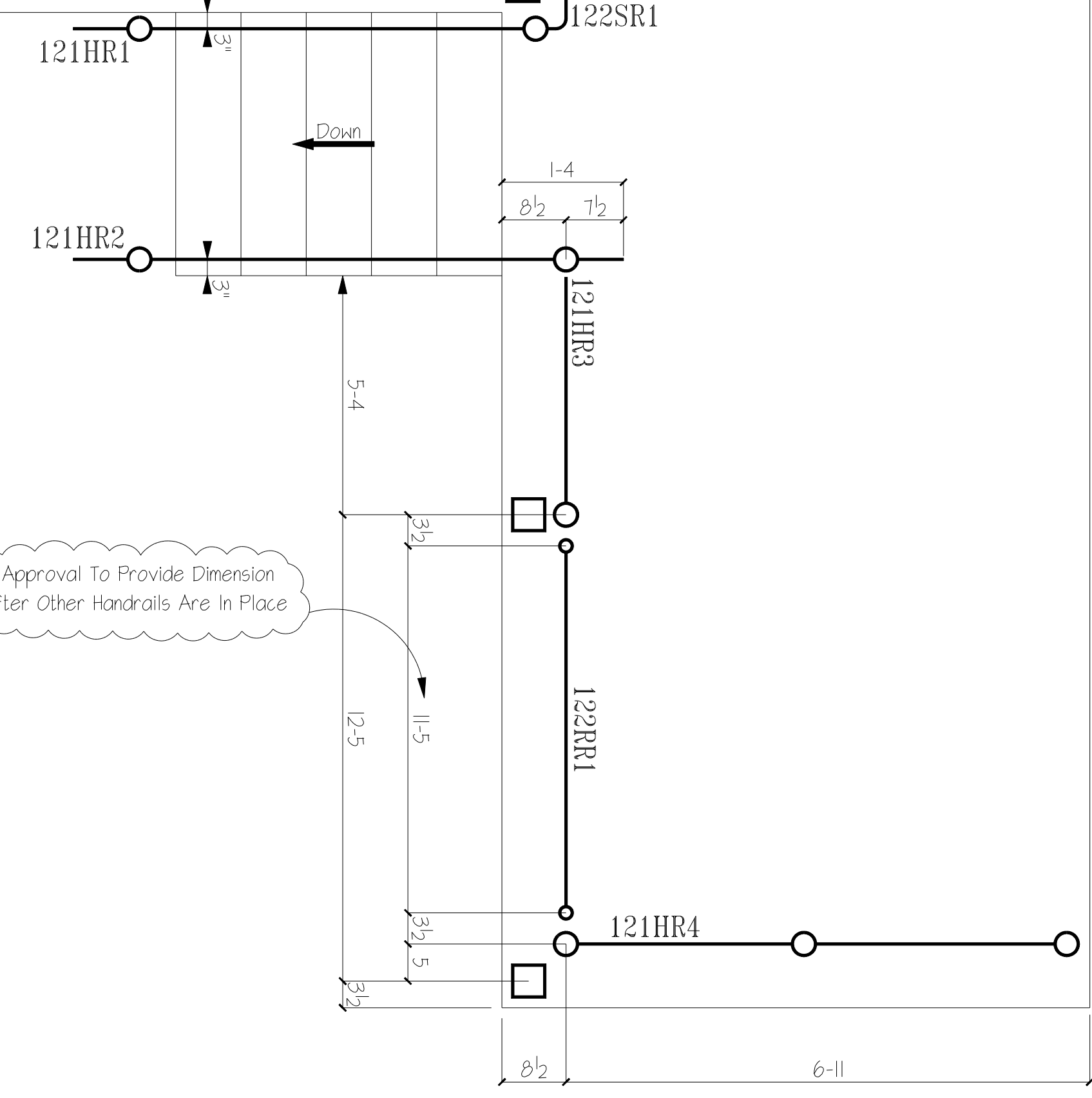


**HRs @ Loading Dock**  
A104 - Grid Line J.2-1.7



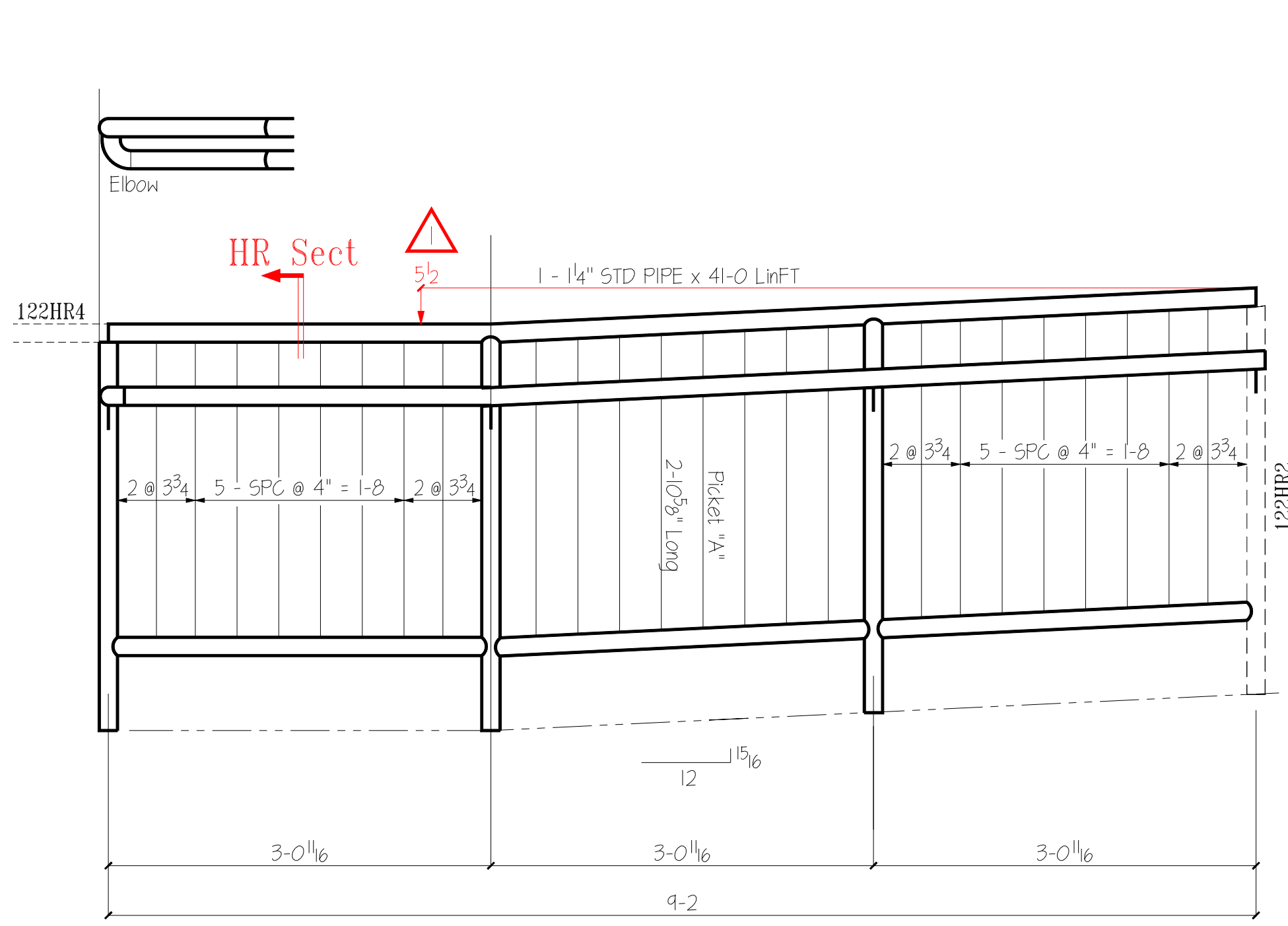
**Removeable Rail Conn.**  
A104 - Grid Line J.2-1.7

Approval To Provide Dimension After Other Handrails Are In Place

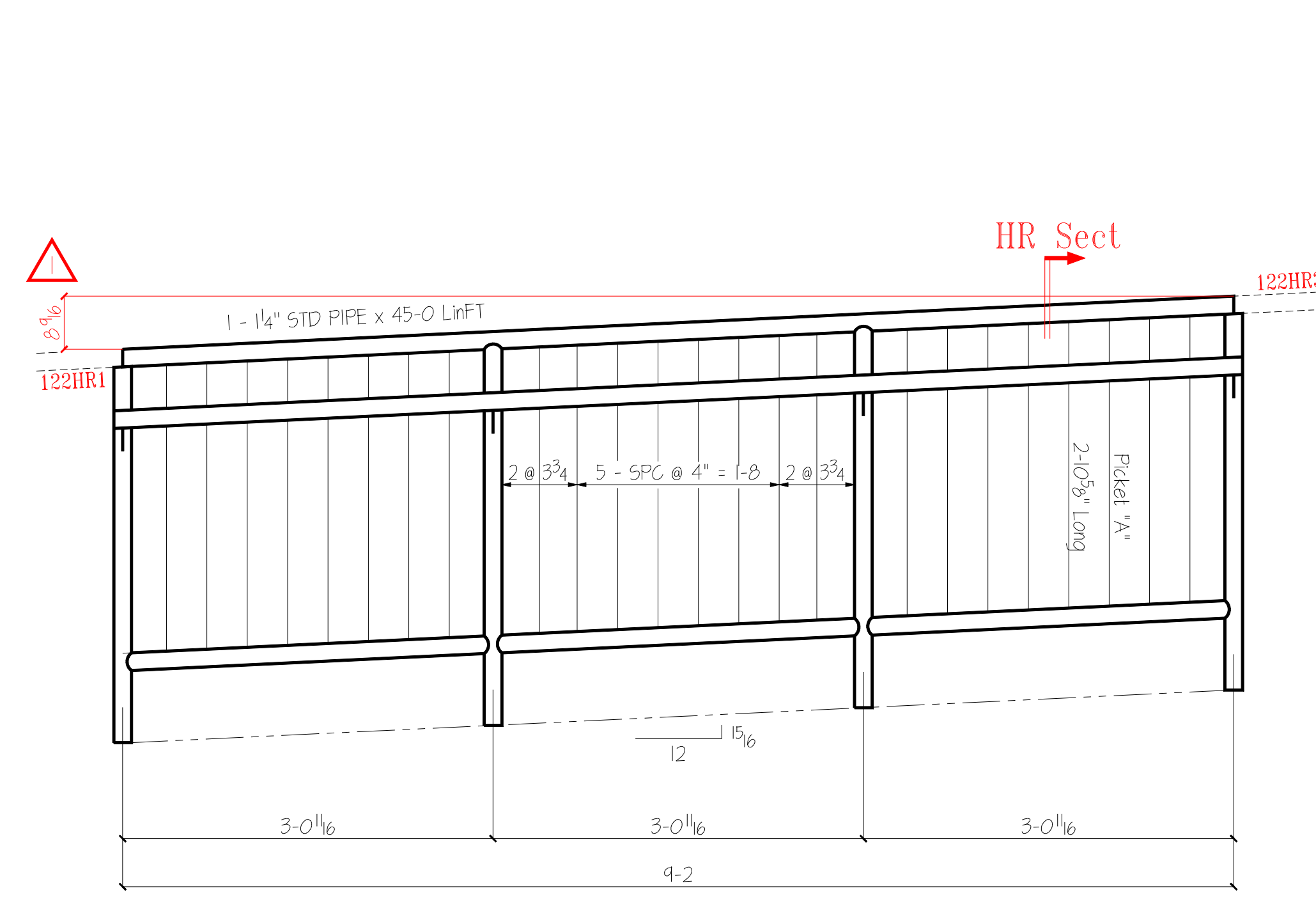


- UNLESS NOTED OTHERWISE -			
None OPEN HOLE	1/4" FILLETS		
COATING	One S/C Red Oxide Primer	PROJECT	Methodist Church
MATERIAL GRADE	A36 U.N.O. PIPES A53	LOCATION	San Antonio TX
REF DWG	A104, A3/A5.4, 2/A402 1/A601	CUSTOMER	Methodist Church
IMAGE #	12 ~ 15	ARCHITECT	Alamo Architect
		ENGINEER	
		DETAIL BY	12-11-07
		CHK.R	
		JOB NAME	Methodist Church
		SHEET #	E121

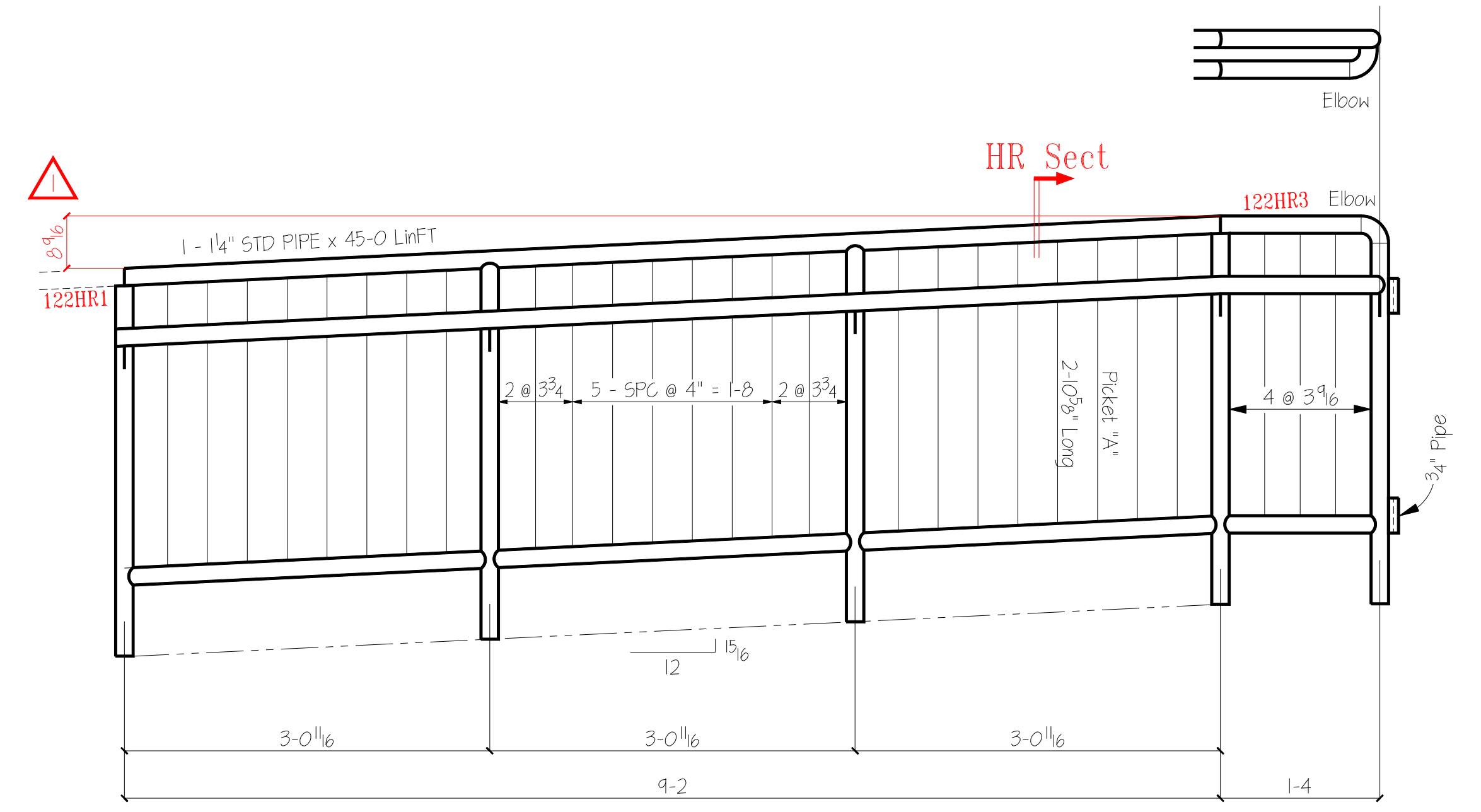




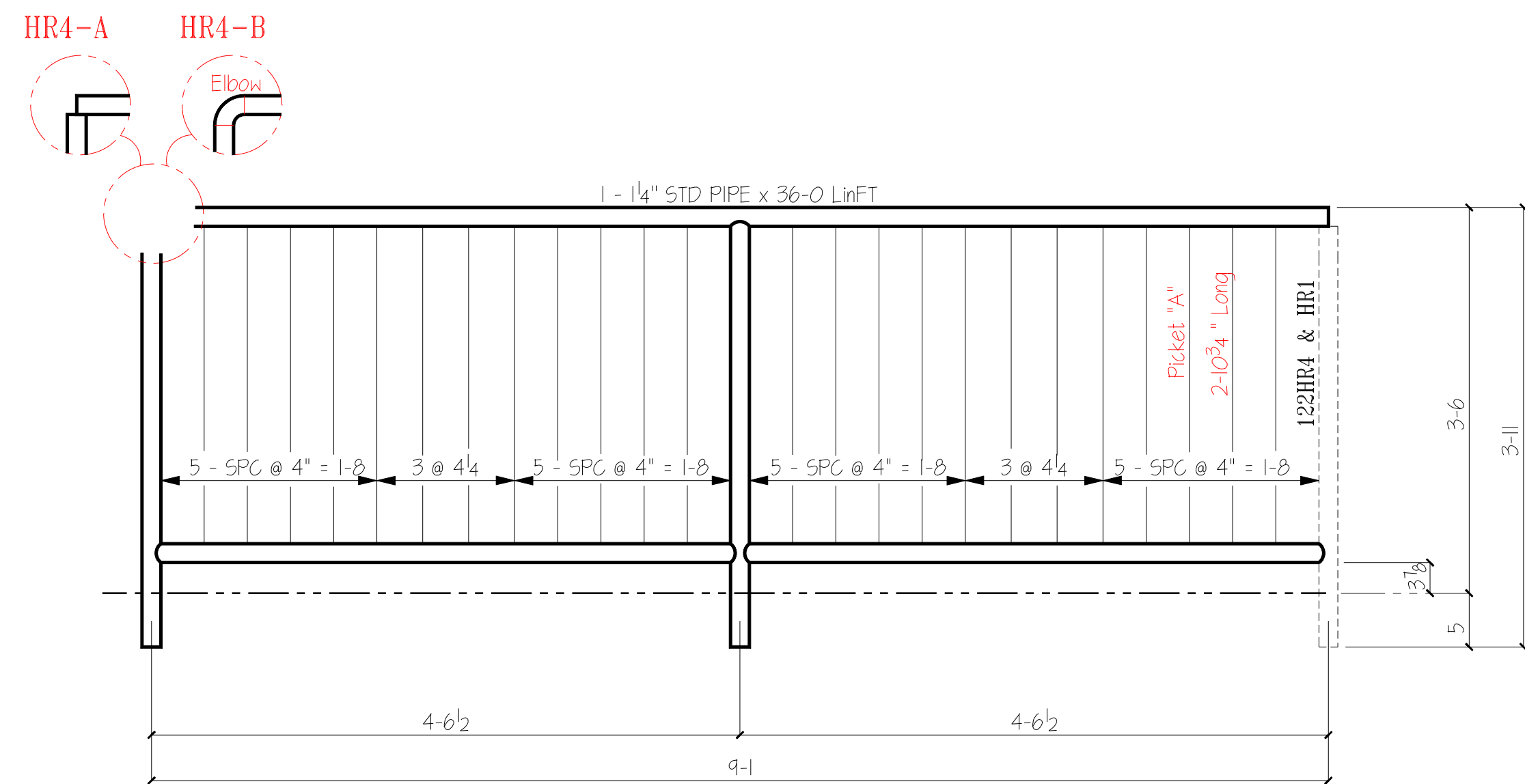
**1 Handrail MK: 122HR1**  
A104 - Loading Dock



**1 Handrail MK: 122HR2**  
A104 - Loading Dock

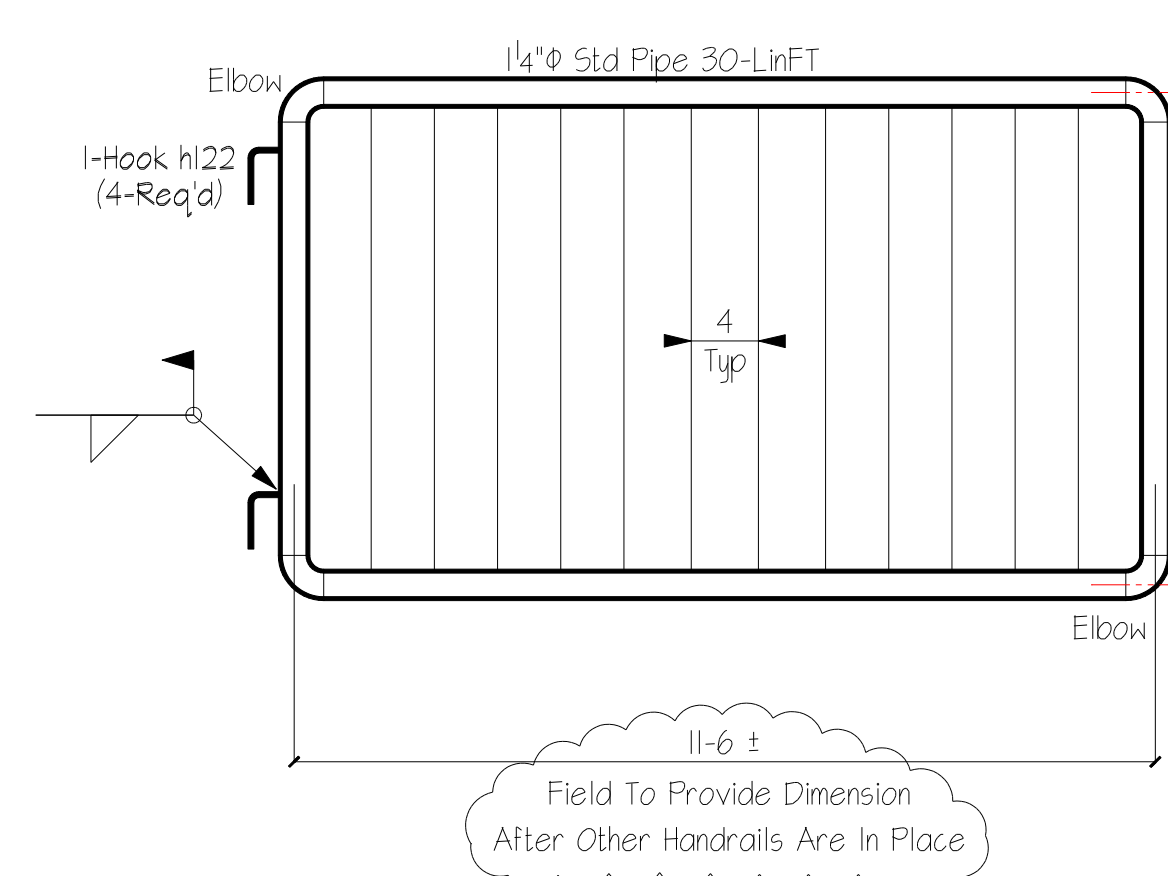


**1 Handrail MK: 122HR3**  
A104 - Loading Dock

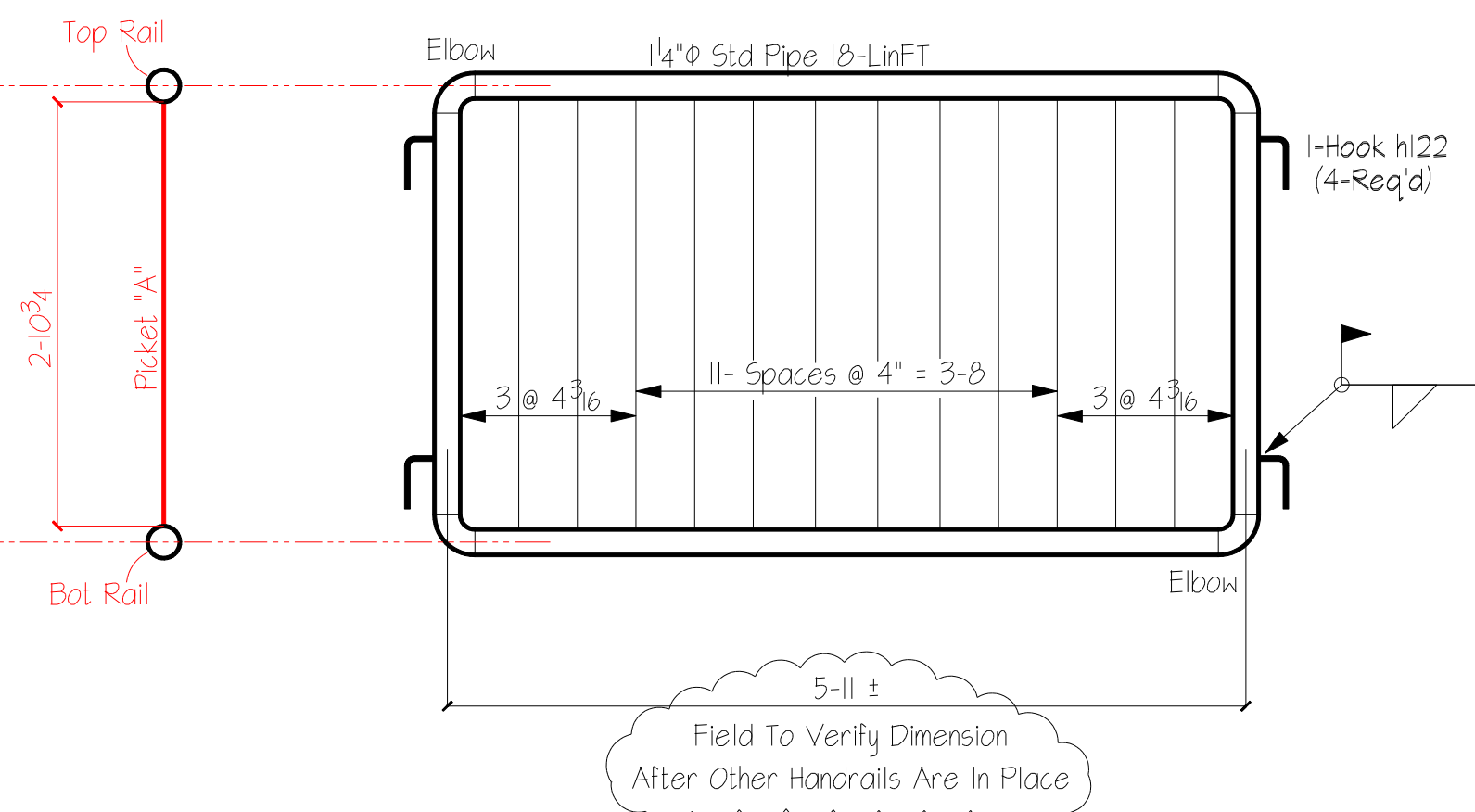


**1 Handrail MK: 122HR4-A**  
A104 - Loading Dock

**1 Handrail MK: 122HR4-B**  
A104 - Loading Dock



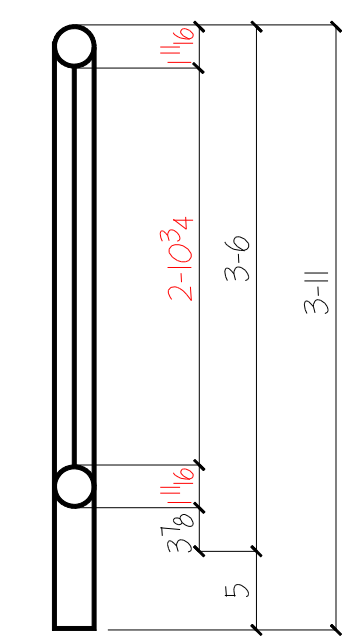
**1 Re-Move Rail MK: 122RR1**  
A104 - Loading Dock



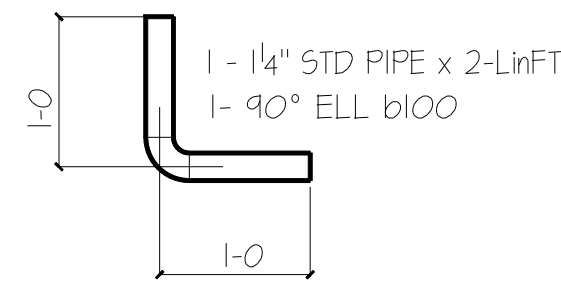
**1 Re-Move Rail MK: 122RR2**  
A104 - Loading Dock

- BILL OF MATERIAL -

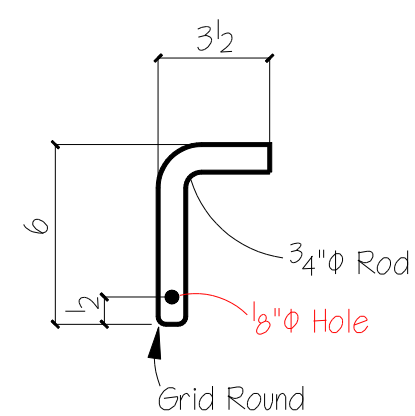
MARK	QTY	DESCRIPTION	LENGTH	REMARKS
122HR1	1	1/4" Std pipe	41-Lin FT	
Picket "A"	24	Bar 1/2 x 1/2	2-10 5/8	
Elbow	1	1/4" Elbow		
122HR2	1	1/4" Std pipe	45-Lin FT	
Picket "A"	24	Bar 1/2 x 1/2	2-10 5/8	
122HR3	1	1/4" Std pipe	49-Lin FT	
Picket "A"	28	Bar 1/2 x 1/2	2-10 5/8	
Elbow	2	1/4" Elbow		
Sleeve	2	3/4" Std pipe	0-4	
122HR4	1	1/4" Std pipe	36-Lin FT	
Picket "A"	24	Bar 1/2 x 1/2	2-10 5/8	
122RR1	1	1/4" Std pipe	30-Lin FT	
Picket "A"	36	Bar 1/2 x 1/2	2-10 5/8	
Elbow	4	1/4" Elbow		
122RR1	1	1/4" Std pipe	18-Lin FT	
Picket "A"	18	Bar 1/2 x 1/2	2-10 5/8	
Elbow	4	1/4" Elbow		
122SR1	2	1/4" Std pipe	2-0	
Elbow	1	1/4" Elbow		



**Typ HR Sect**



**2 Splice Rail Brackets 122SR1**



**Detail of 8 Hooks h122**

- UNLESS NOTED OTHERWISE -

None	1/4"
OPEN HOLE	FILLETs
COATING: One 5/C Red Oxide Primer	
MATERIAL GRADE: A36 U.N.O. PIPEs A53	
REF DWG: A104, A3/A5.4, 2/A402 1/A601	PROJECT: Methodist Church
IMAGE # 12 ~ 15	LOCATION: San Antonio TX
	CUSTOMER: Methodist Church
	ARCHITECT: Alamo Architect
	ENGINEER:
DETAIL: DY 12-II-07	JOB NAME: Methodist Church
CHK.R:	SHEET #: 122