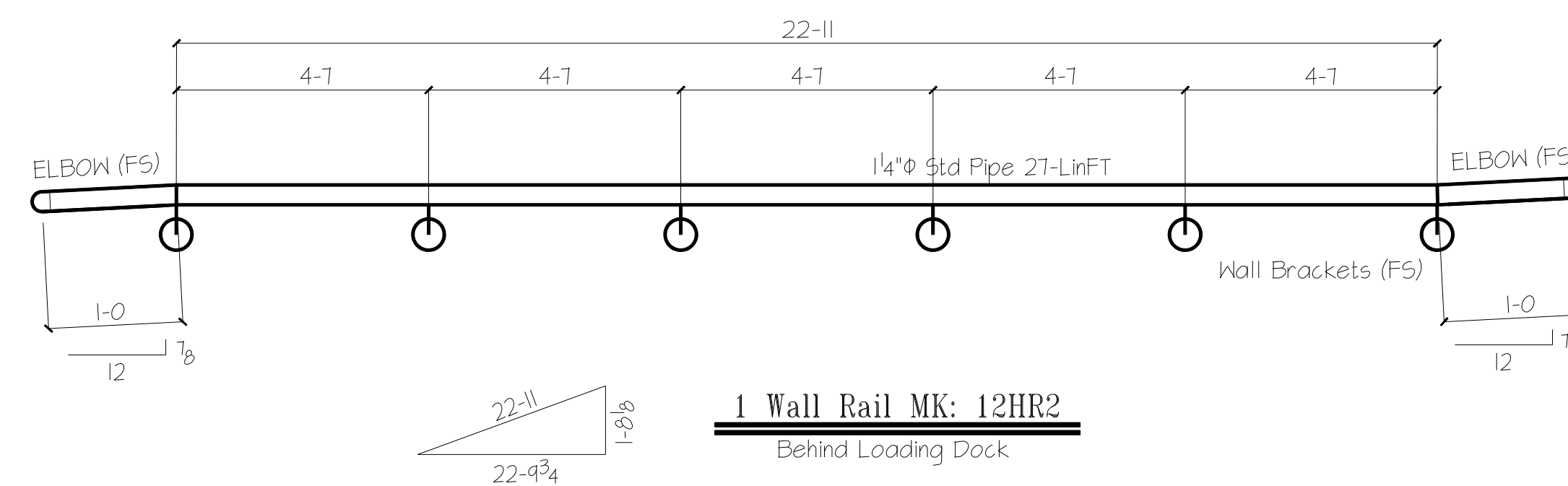
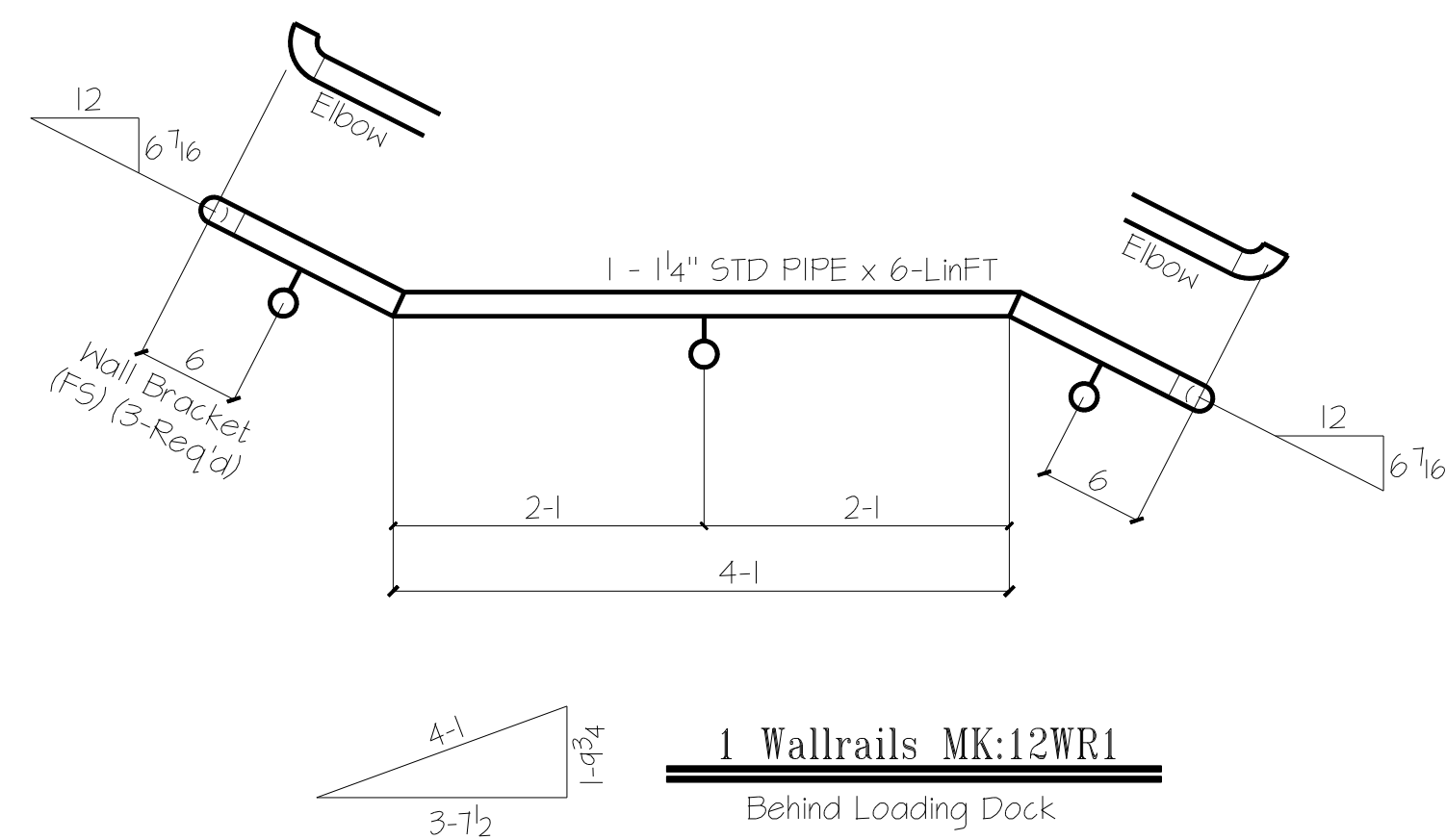
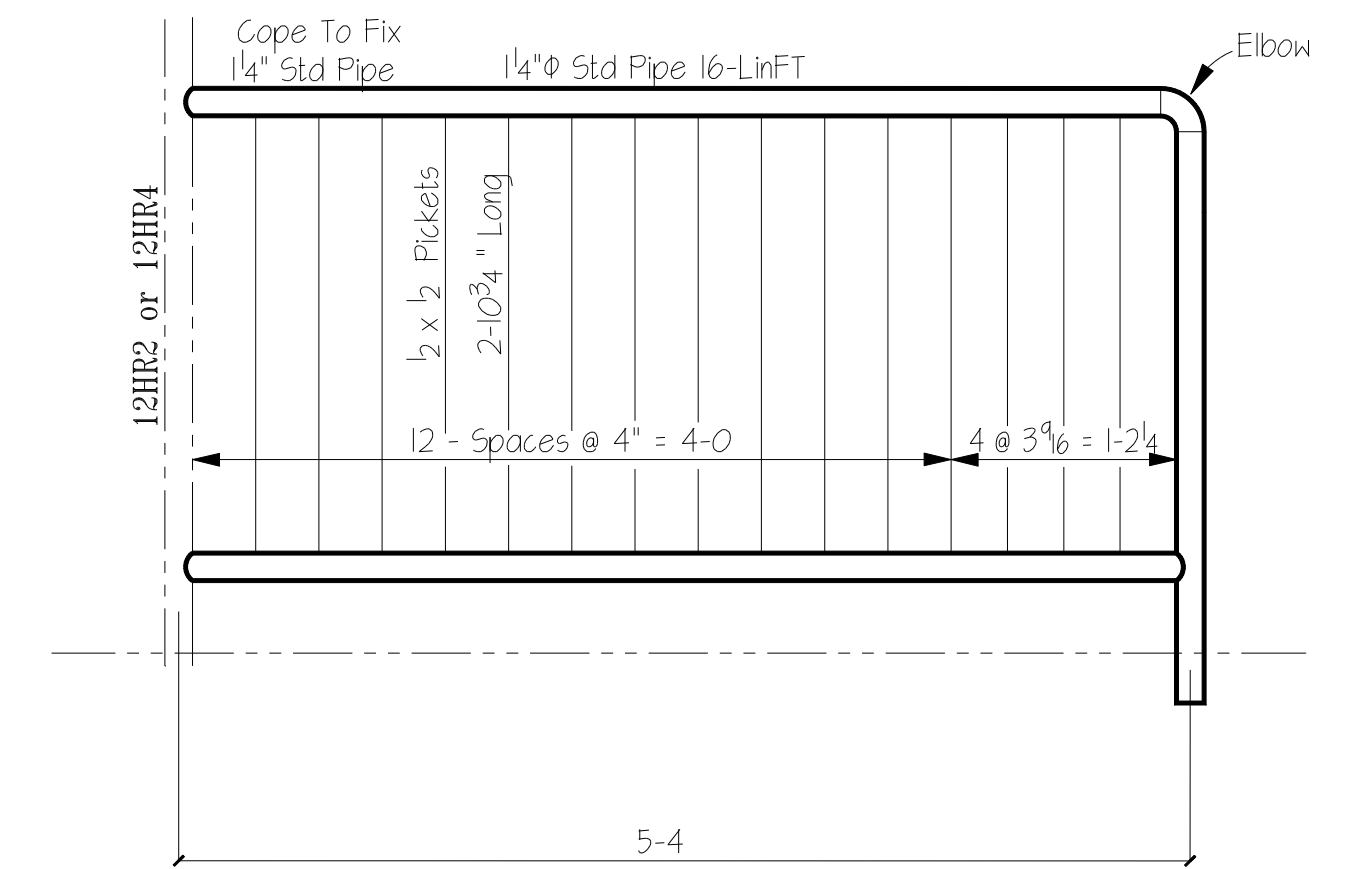
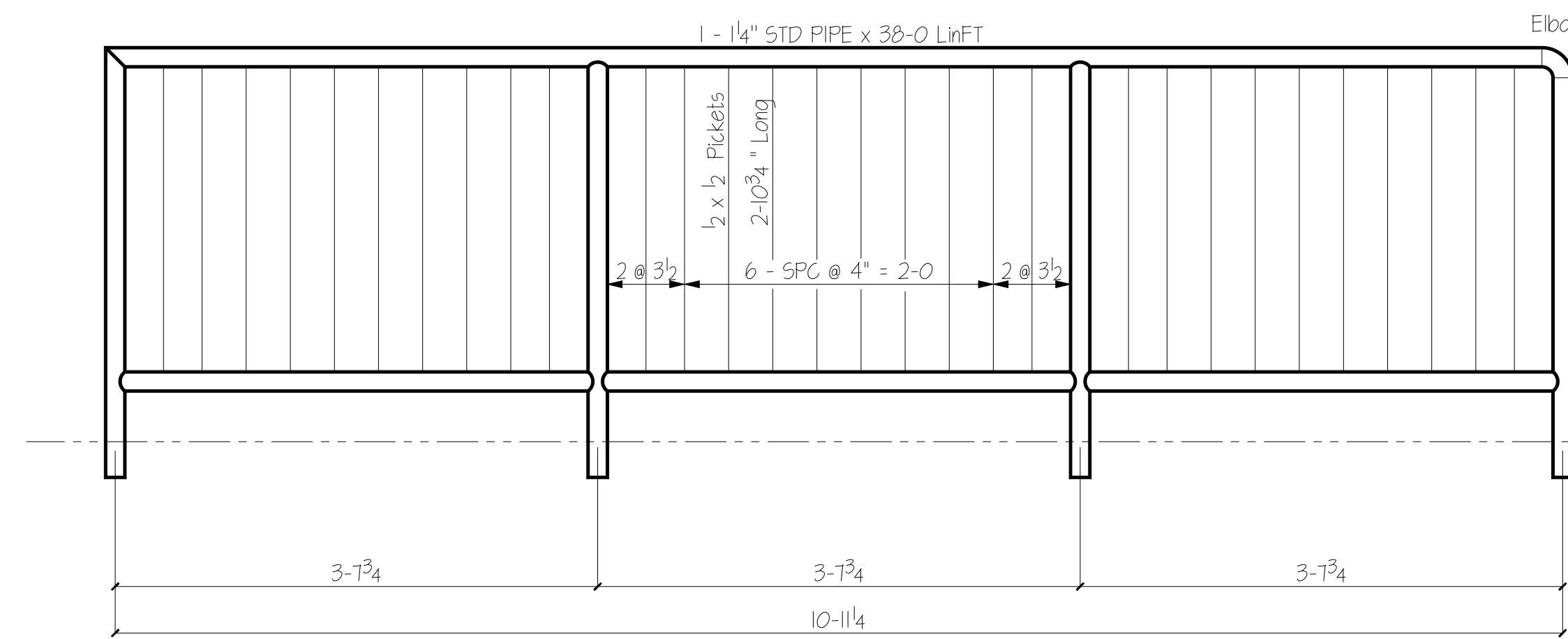
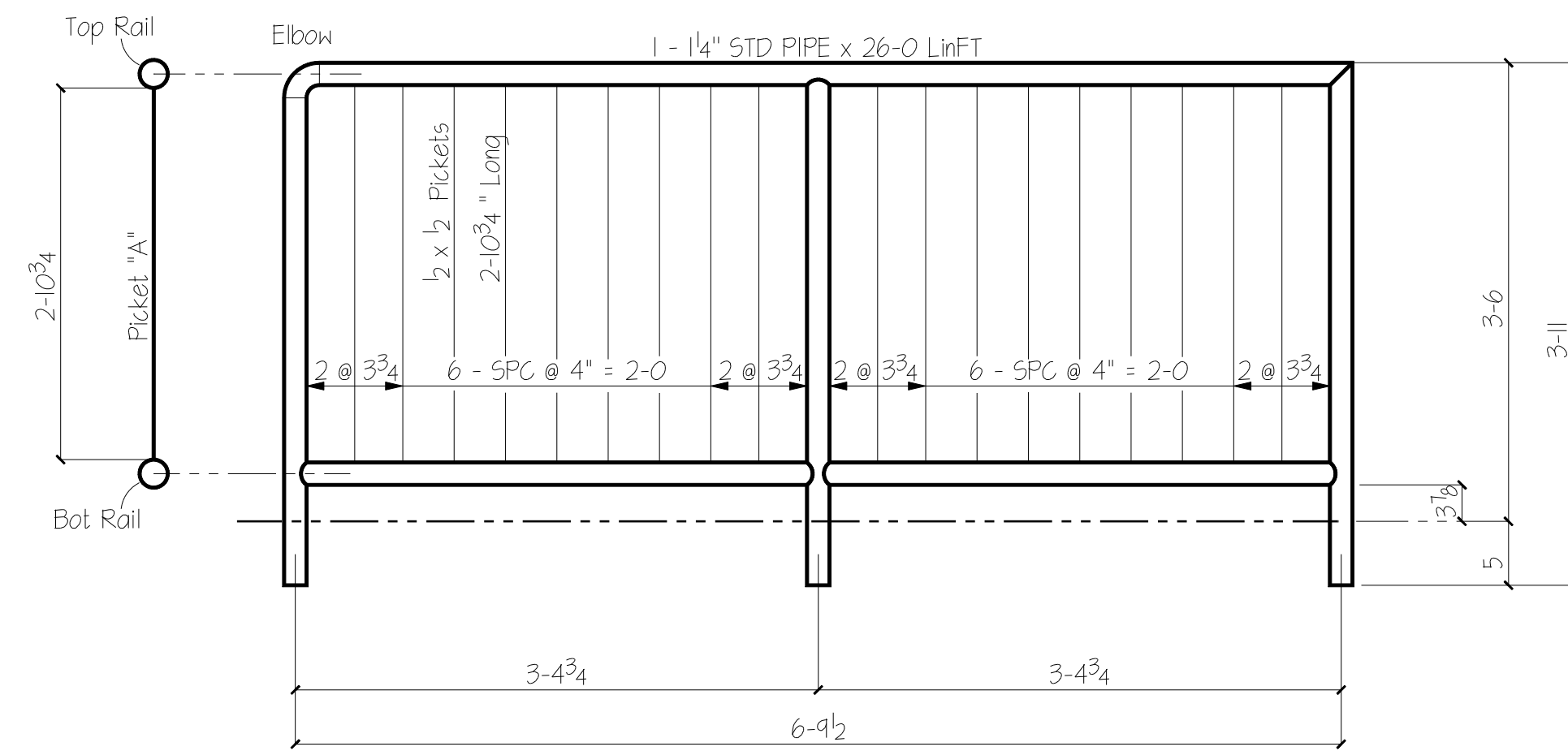
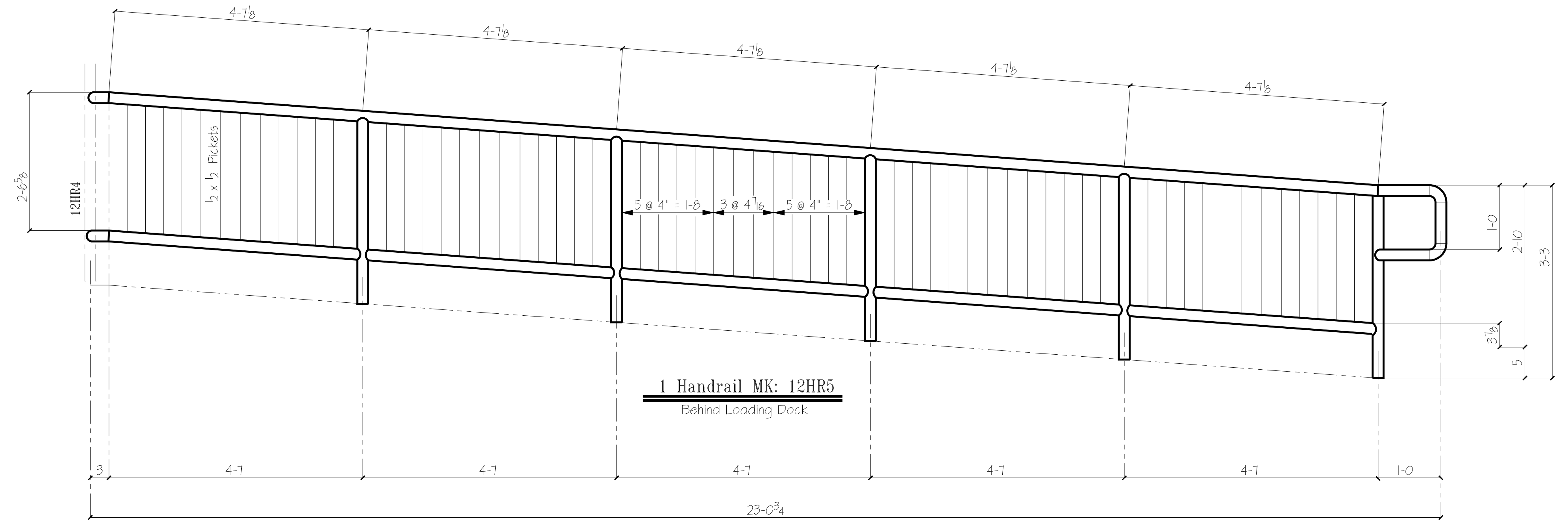
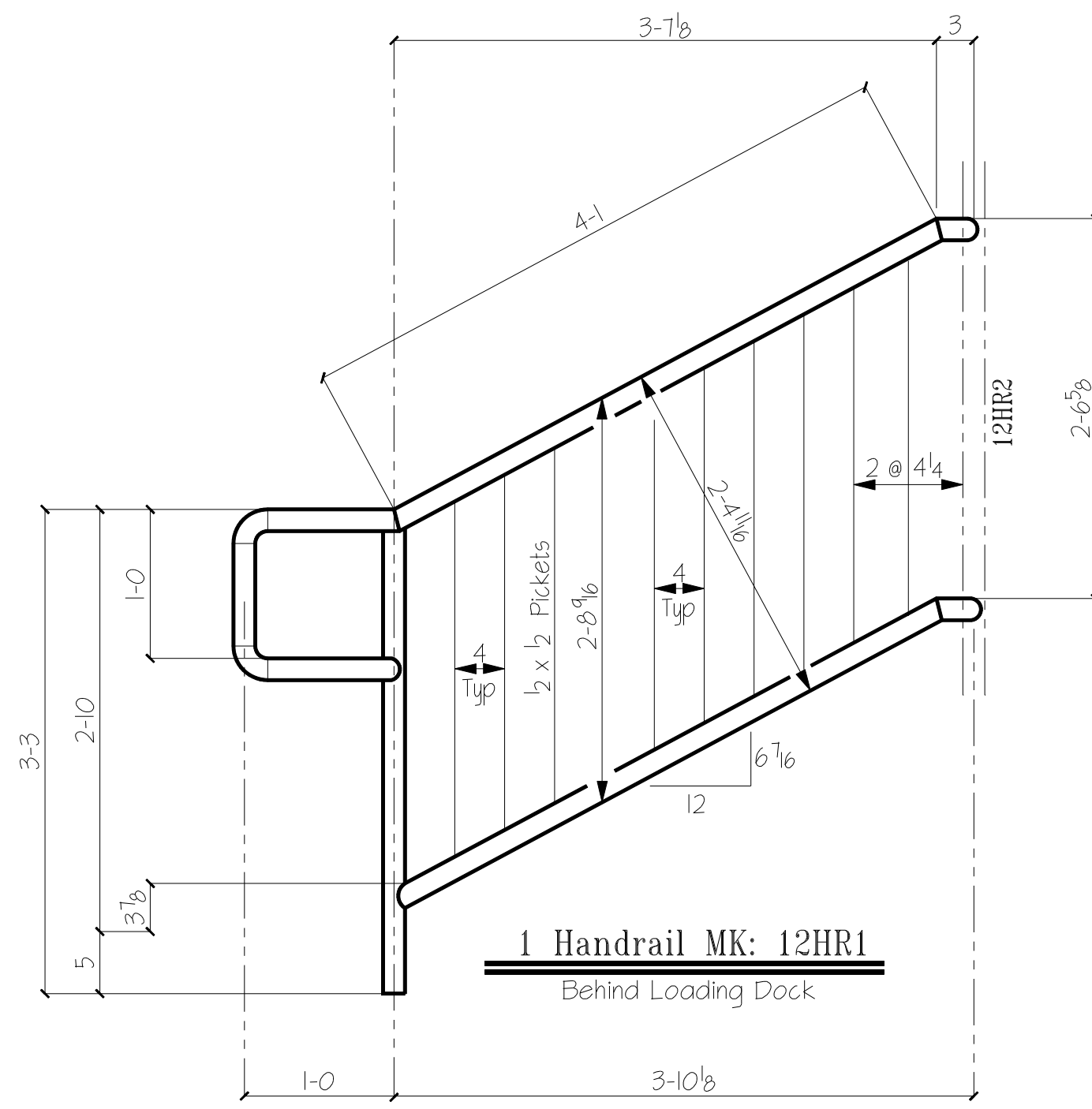


Typ HR Sect

- UNLESS NOTED OTHERWISE -			
$\frac{13}{16}^{\circ}$ OPEN HOLE	$\frac{3}{16}^{\circ}$ FILLETS		
COATING <u>One S/C Red Oxide Primer</u>		DETAILS OF <u>Door Way Hand Rails</u>	
MATERIAL GRADE SHALL BE <u>A36</u> U.N.O.		PROJECT <u>Methodist Church</u>	
WT SHAPES <u>A572</u> TUBES <u>A500</u>		LOCATION <u>San Antonio TX</u>	
CHANNELS <u>A572</u> PIPES <u>A501 or A53</u>		CUSTOMER <u>Methodist Church</u>	
REF DWG _____		ARCHITECT <u>Alamo Architect</u>	
CHK.R _____		ENGINEER _____	
DETAIL <u>DY</u>	<u>12-27-07</u>	JOB NAME <u>Methodist Church</u>	SHEET # <u>E 12</u>
			REV # .



- UNLESS NOTED OTHERWISE -			
13/16" Ø OPEN HOLE	3/16" FILLETS		
COATING: One 5/8 Red Oxide Primer		DETAILS OF Door Way Hand Rails	
MATERIAL GRADE SHALL BE A36 U.N.O.		PROJECT Methodist Church	
WT SHAPES A572 TUBES A500		LOCATION San Antonio TX	
CHANNELS A572 PIPES A501 or A53		CUSTOMER Methodist Church	
REF DWG		ARCHITECT Alamo Architect	
		ENGINEER	
DETAIL DY 12-27-07	JOB NAME Methodist Church	SHEET # D 12	REV #
CHK.R			