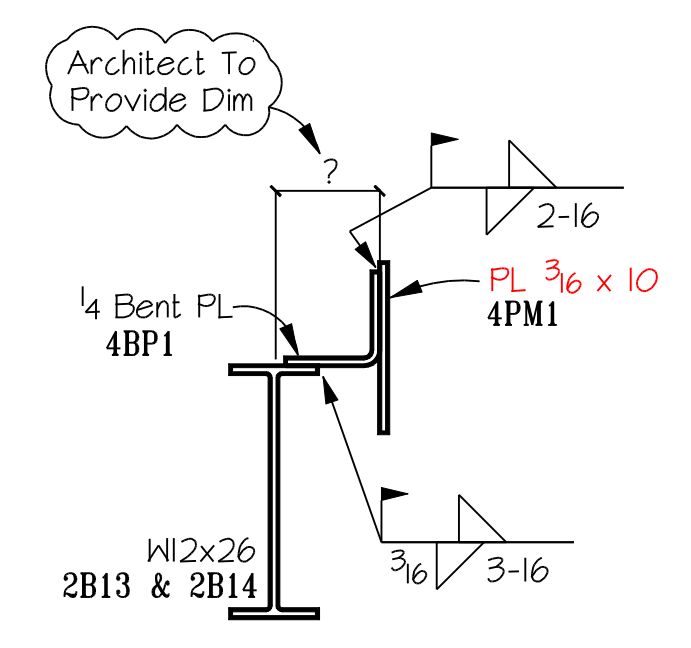
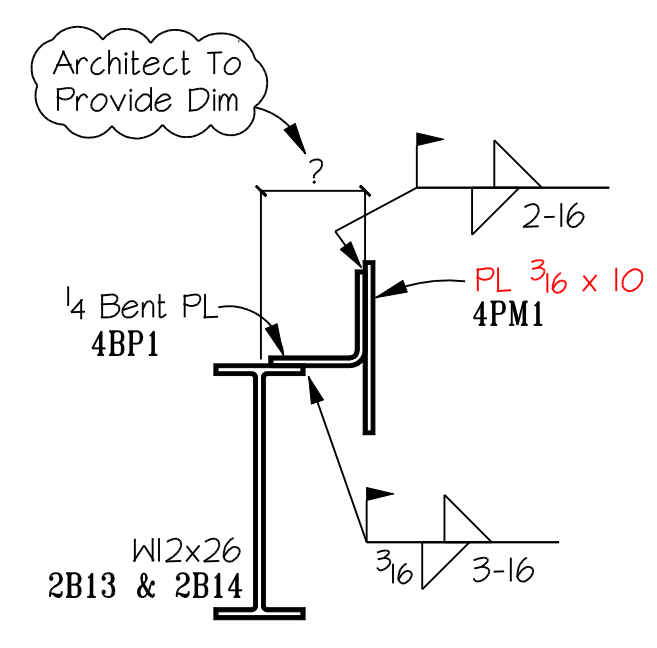


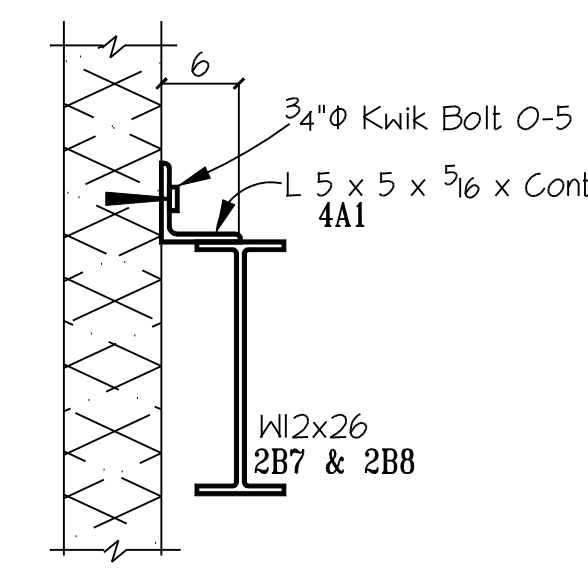
Sect JB
Ref 1,2,3 - 53.2



Sect 14S31
Ref 14/53.1 & 11/A10.2



Sect 14S31 Sim
Ref 14/53.1 "Sim" & 11/A10.2



Sect 15S31
Ref 15/53.1

DESCRIPTION OF REVISIONS MADE TO DRAWING

1	
2	
3	
4	

REF DWG. _____

UNLESS NOTED OTHERWISE

1/4" FILLETS	MATERIAL GRADE SHALL BE <u>A36</u> U.N.O.
	WF SHAPES <u>A992</u> TUBES <u>A500</u>
	CHANNELS <u>A992</u> PIPES <u>A53</u>
13/16" OPEN HOLE	REF SCHEDULE <u>SO1 Structural Notes # 3-10</u>
	COATING <u>One S/C Red Oxide Primer</u>

AWF

DETAILS OF Framing Plans

PROJECT Luke Shopping Center

LOCATION Arizona

CUSTOMER _____

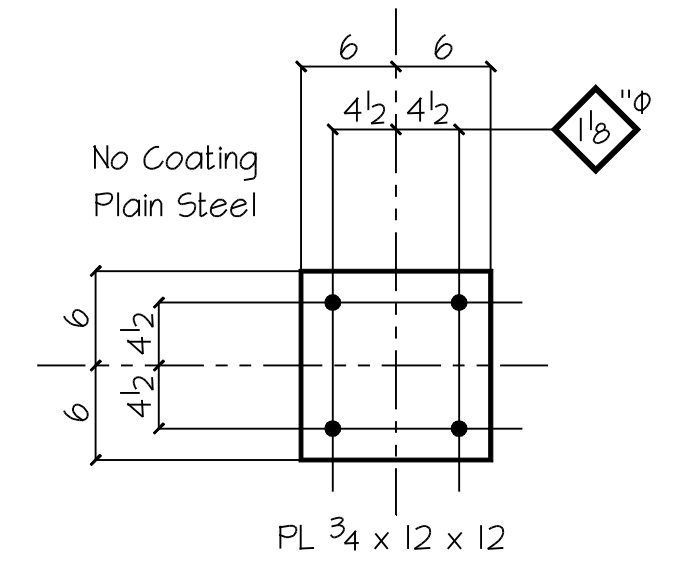
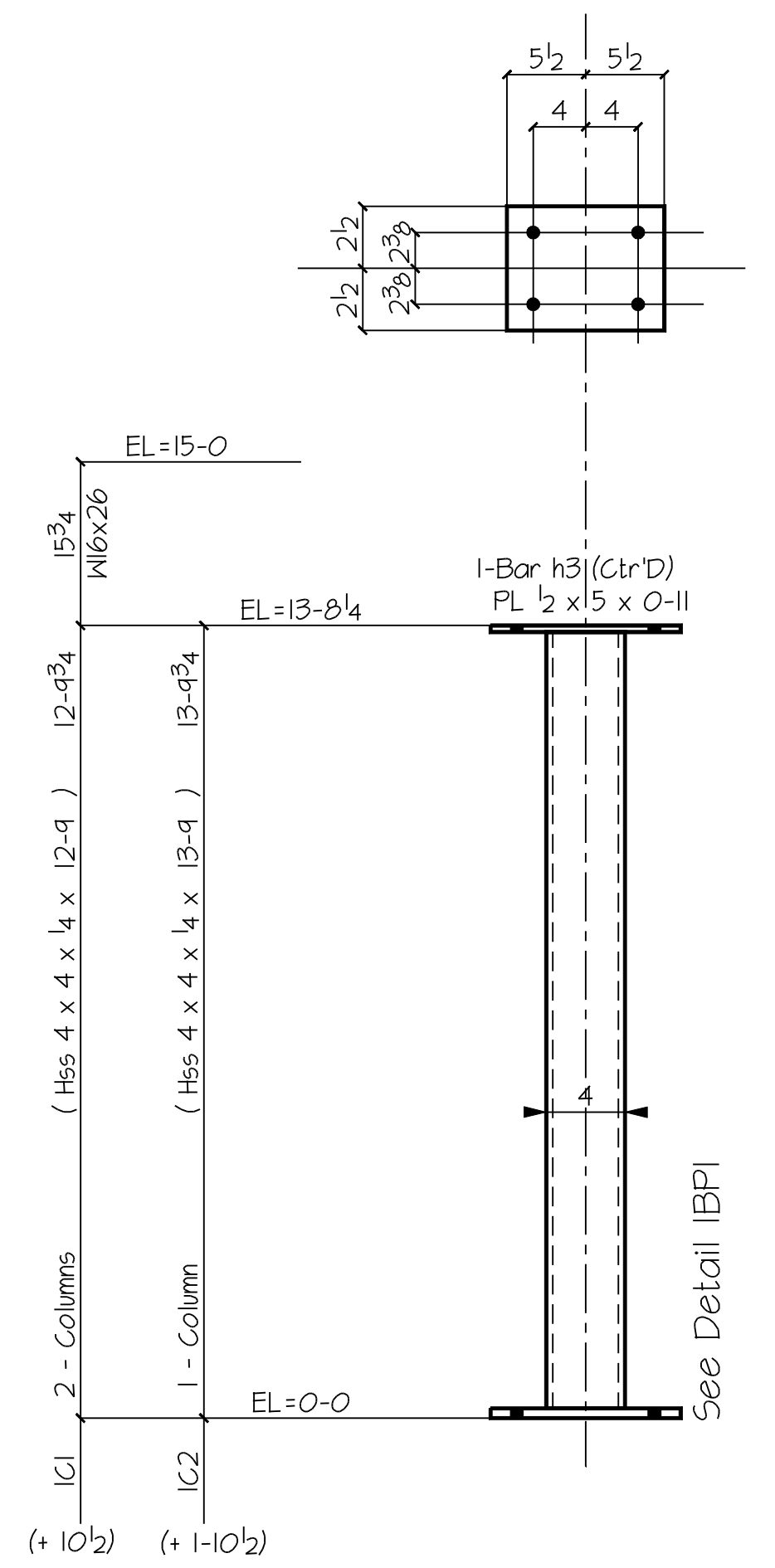
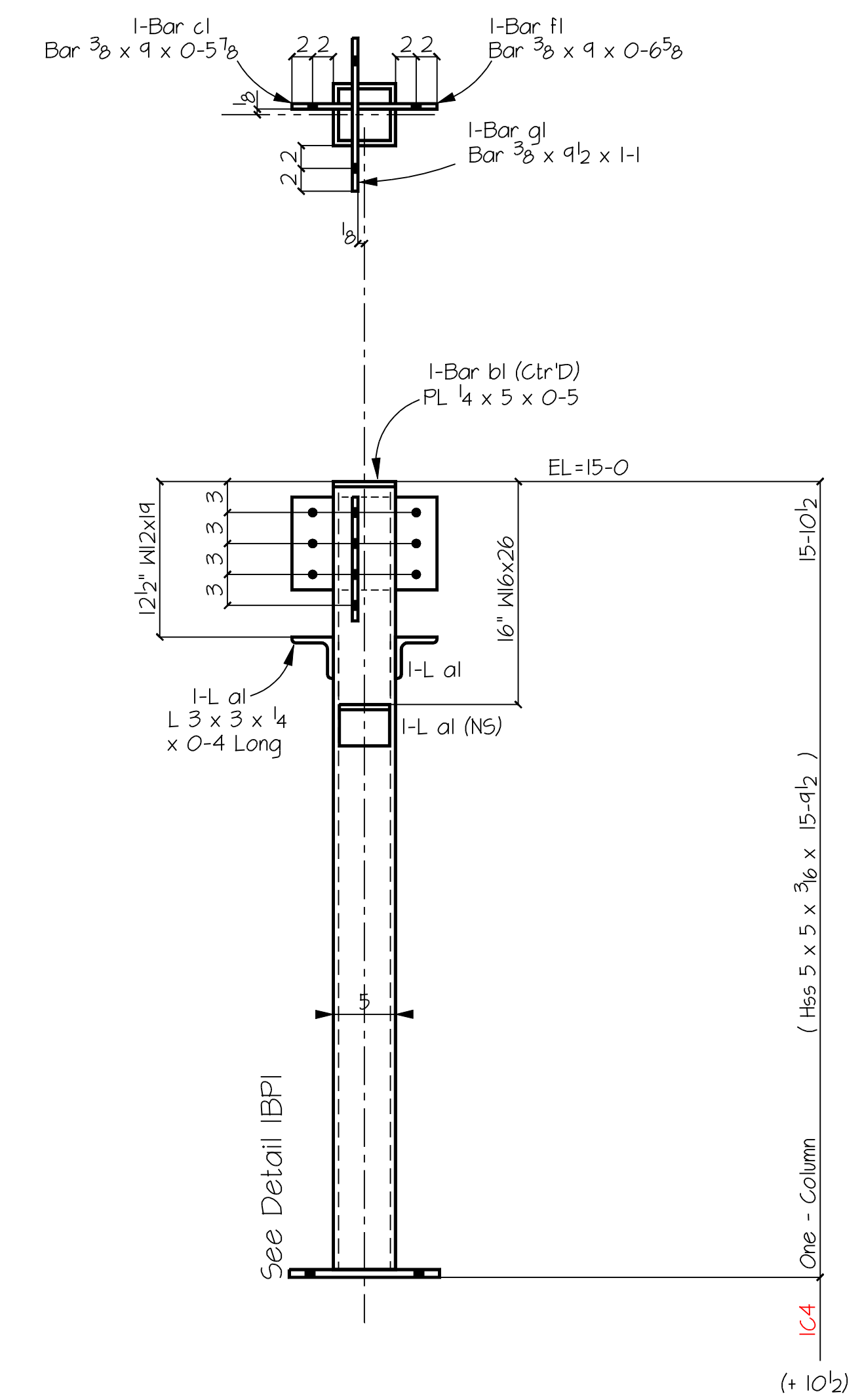
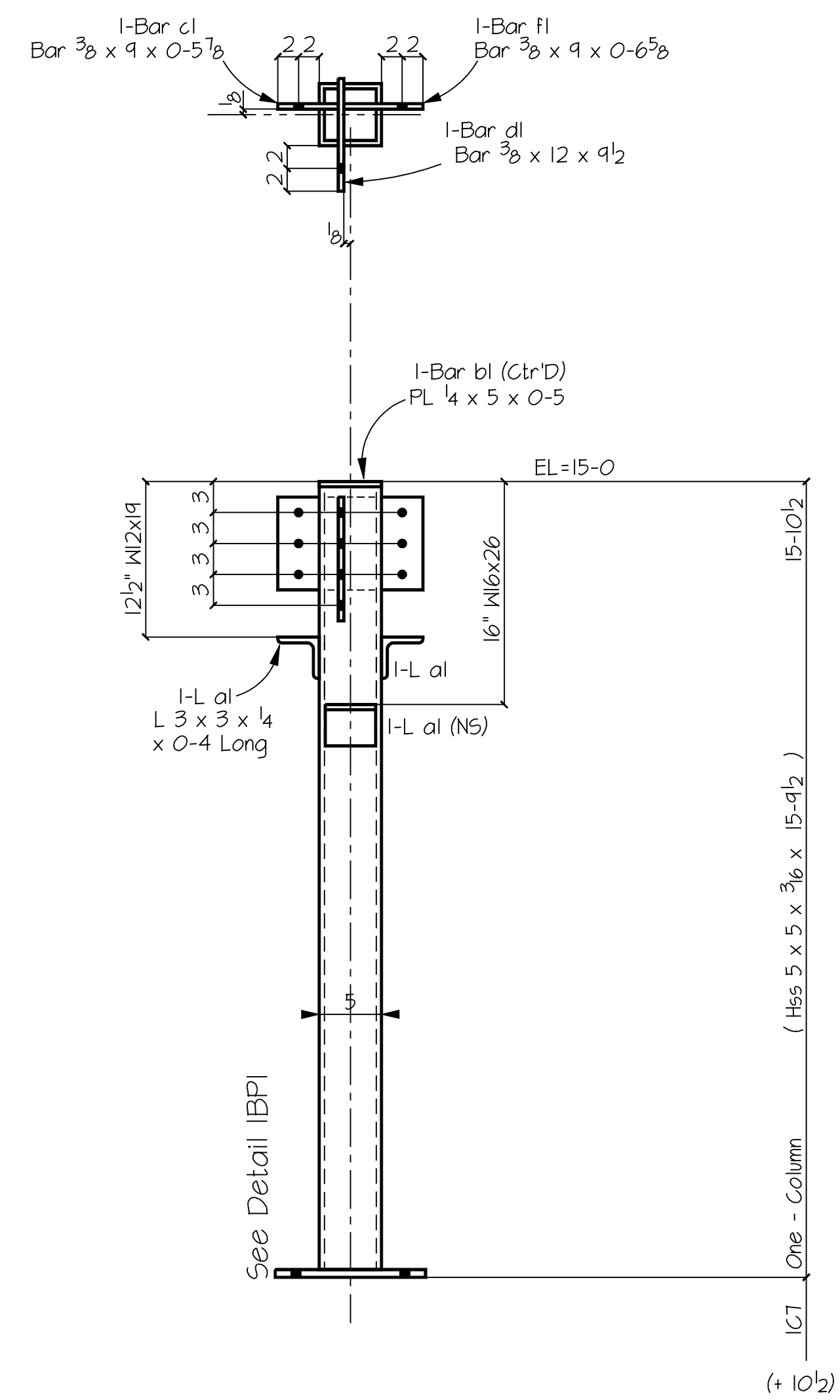
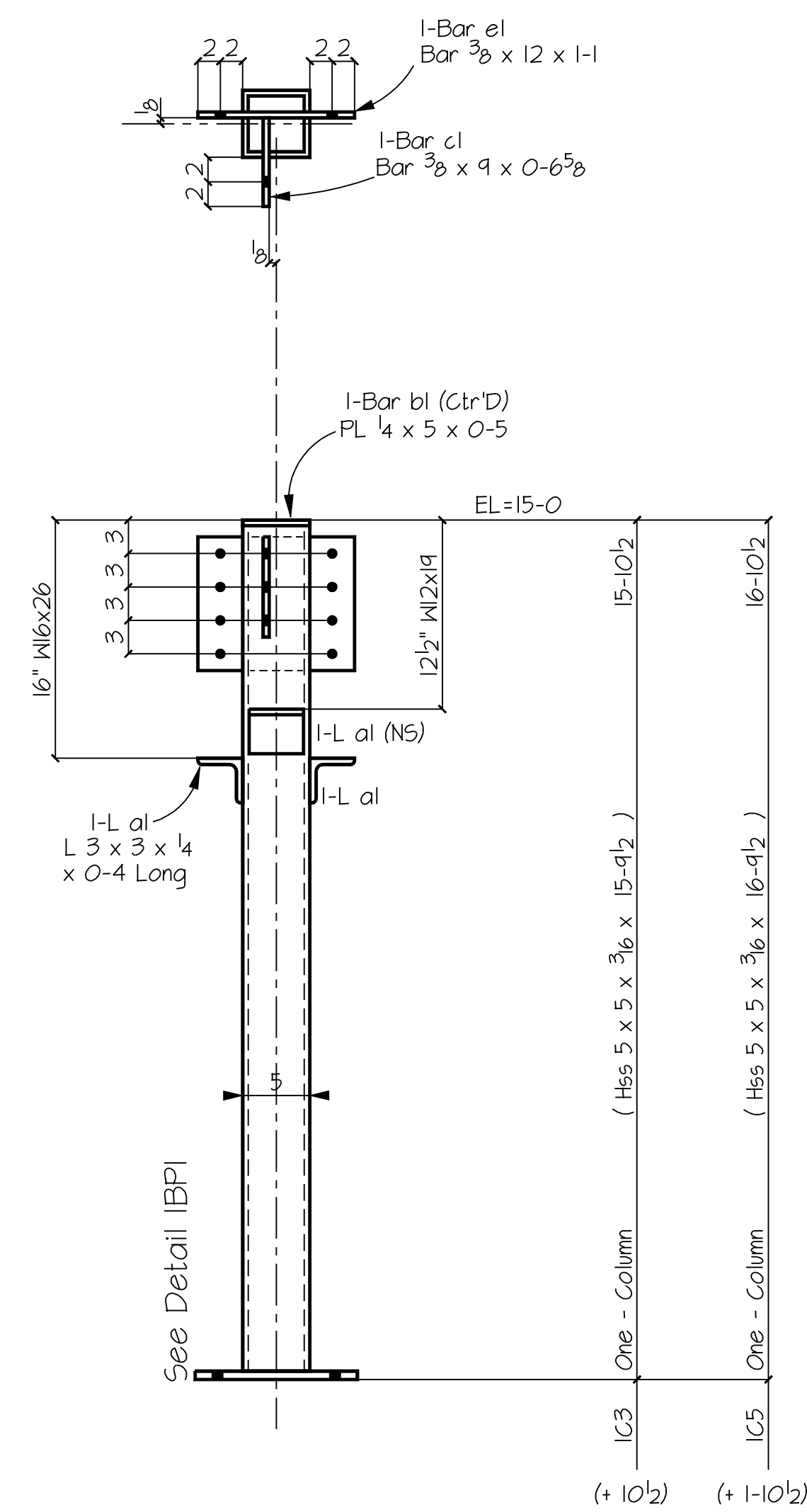
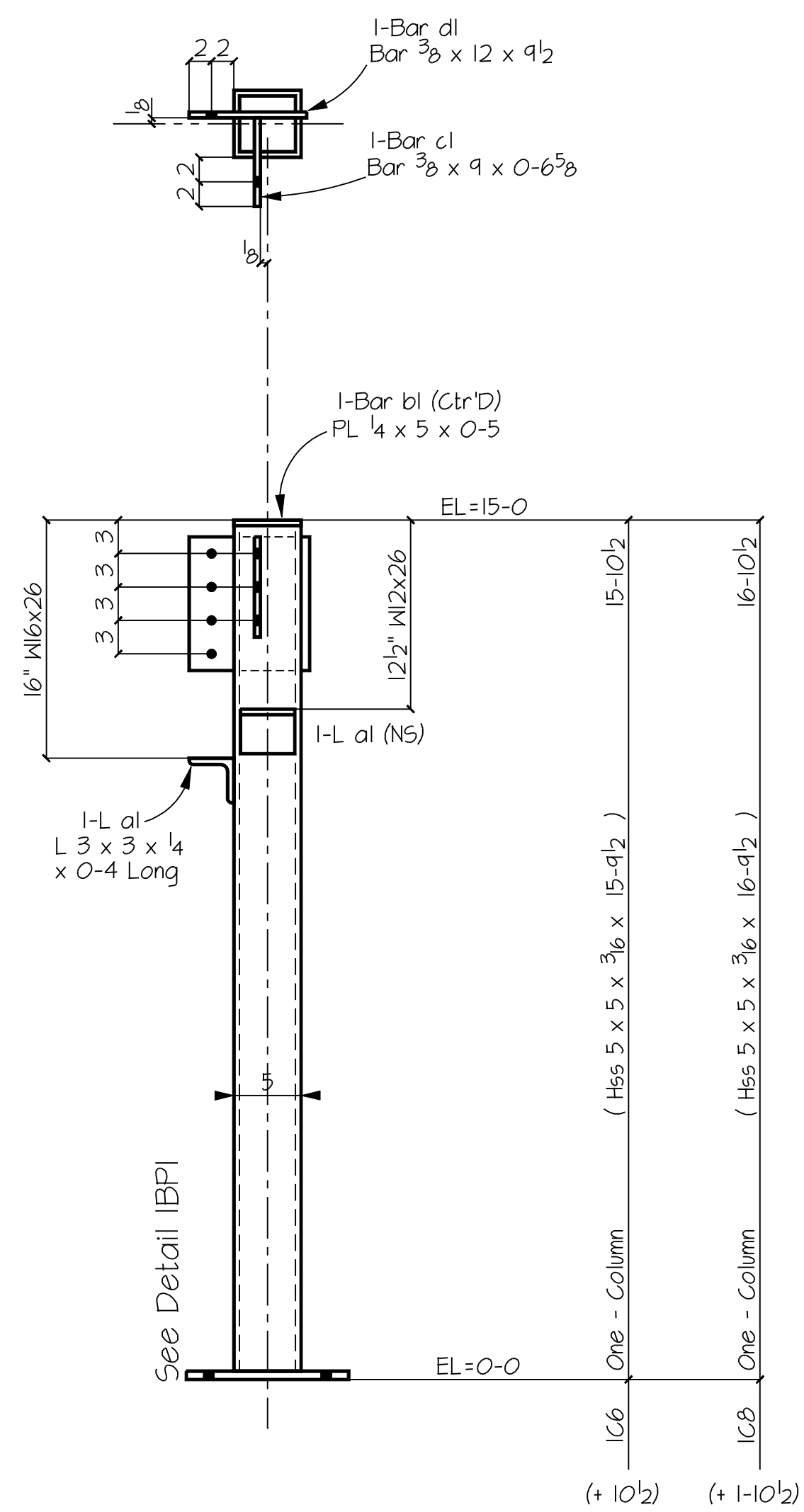
ARCHITECT _____

ENGINEER _____

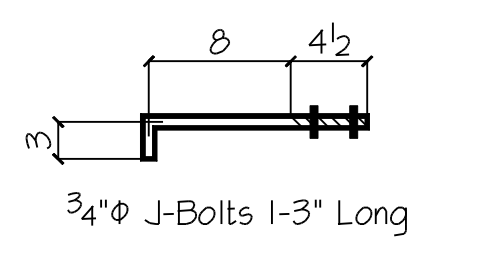
DETAIL DY 2-20-08 SHOP CODE _____ SHEET # _____ REV # _____

CHK.R. _____ **Luke AFB** **E 1**

FN: Luke-004.dwg



Detail of 1BP1
Ref I/53.2



36 J-Bolts MK: 1JB1
Ref I/53.2

- DESCRIPTION OF REVISIONS MADE TO DRAWING -	
1	
2	
3	
4	
REF DWG. _____	

- UNLESS NOTED OTHERWISE -	
1/4" FILLETS	MATERIAL GRADE SHELL BE <u>A36</u> U.N.O.
	WF SHAPES <u>A992</u> TUBES <u>A500</u>
	CHANNELS <u>A992</u> PIPES <u>A53</u>
	REF SCHEDULE <u>SO1 Structural Notes # 3-10</u>
13/16" OPEN HOLE	COATING <u>One S/C Red Oxide Primer</u>

AWF

DETAILS OF Columns

PROJECT Luke Shopping Center

LOCATION Arizona

CUSTOMER _____

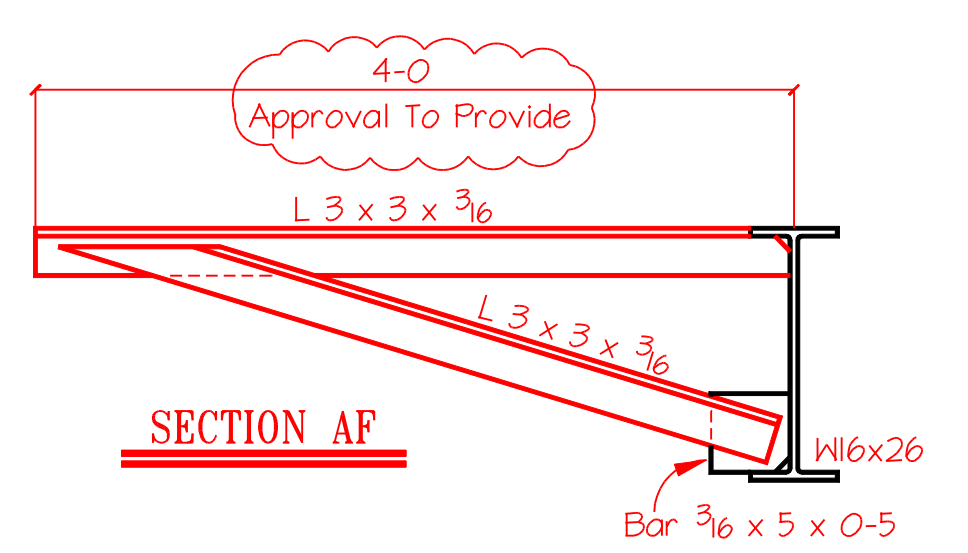
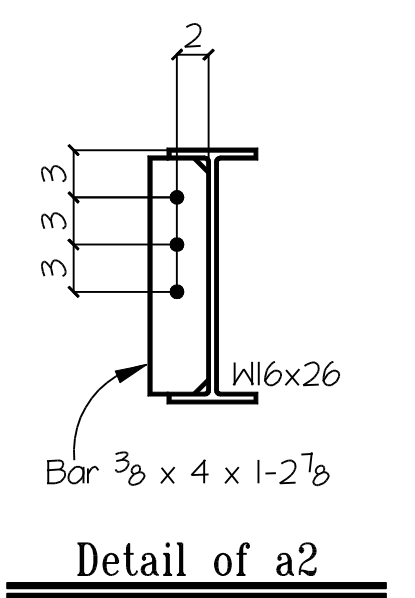
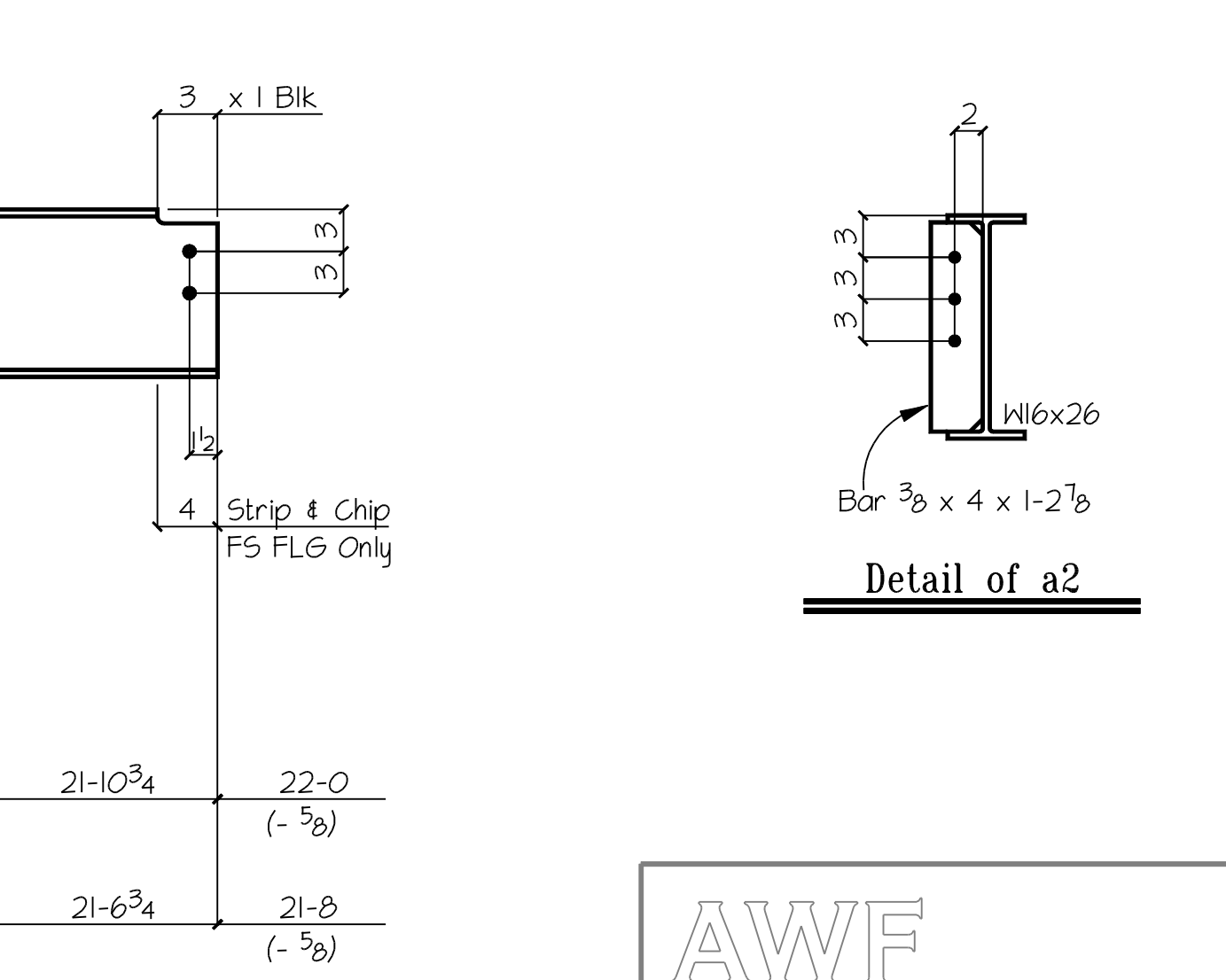
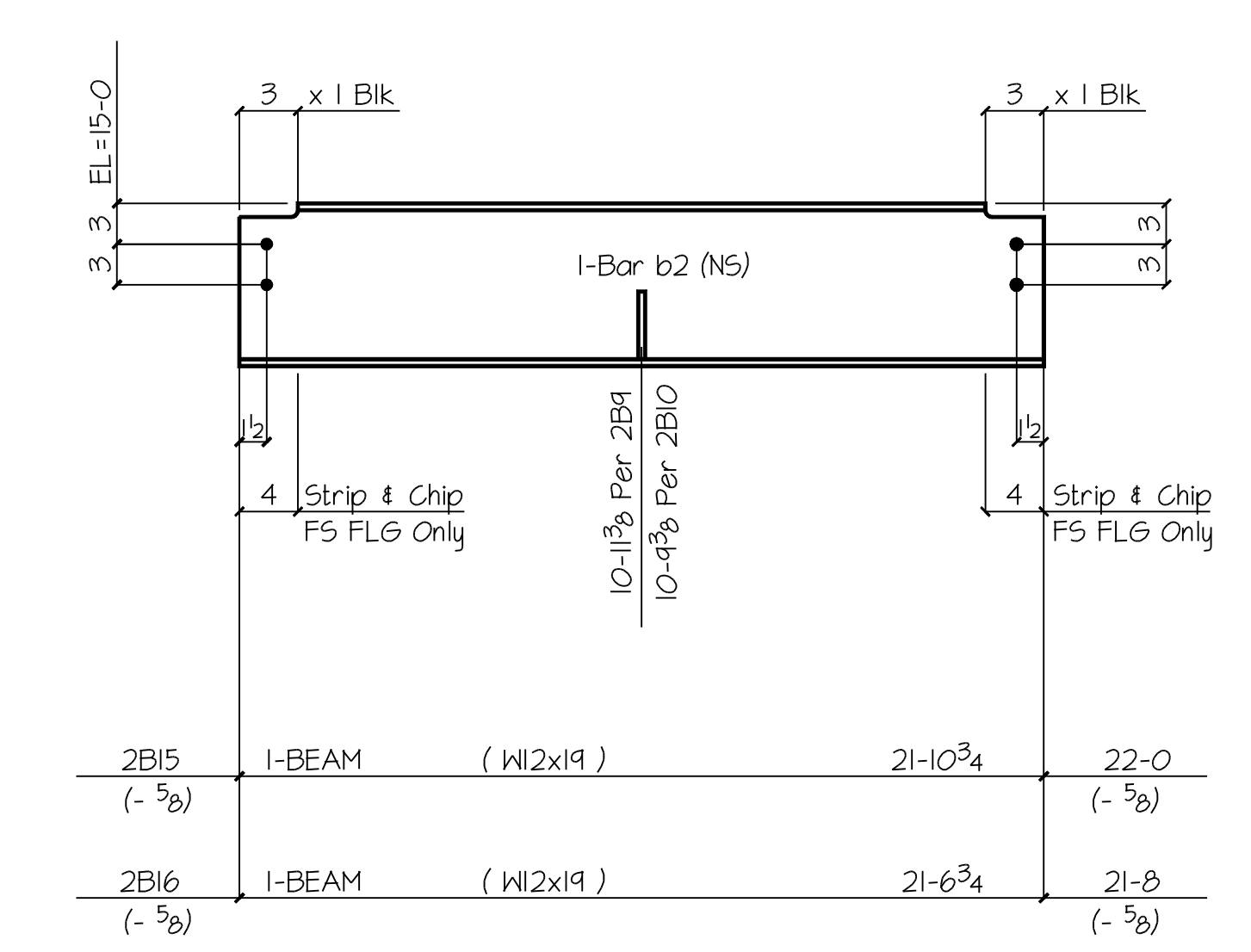
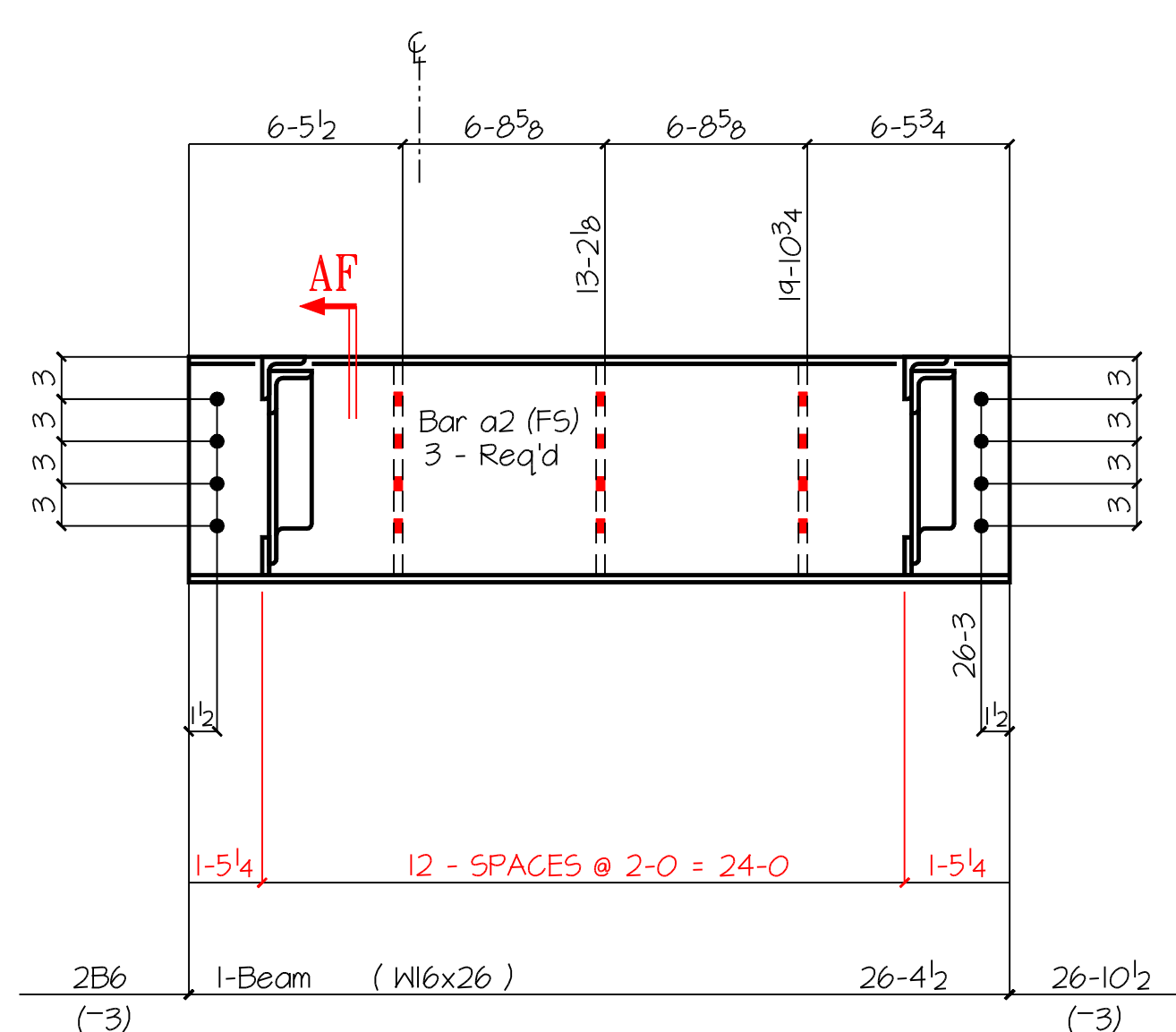
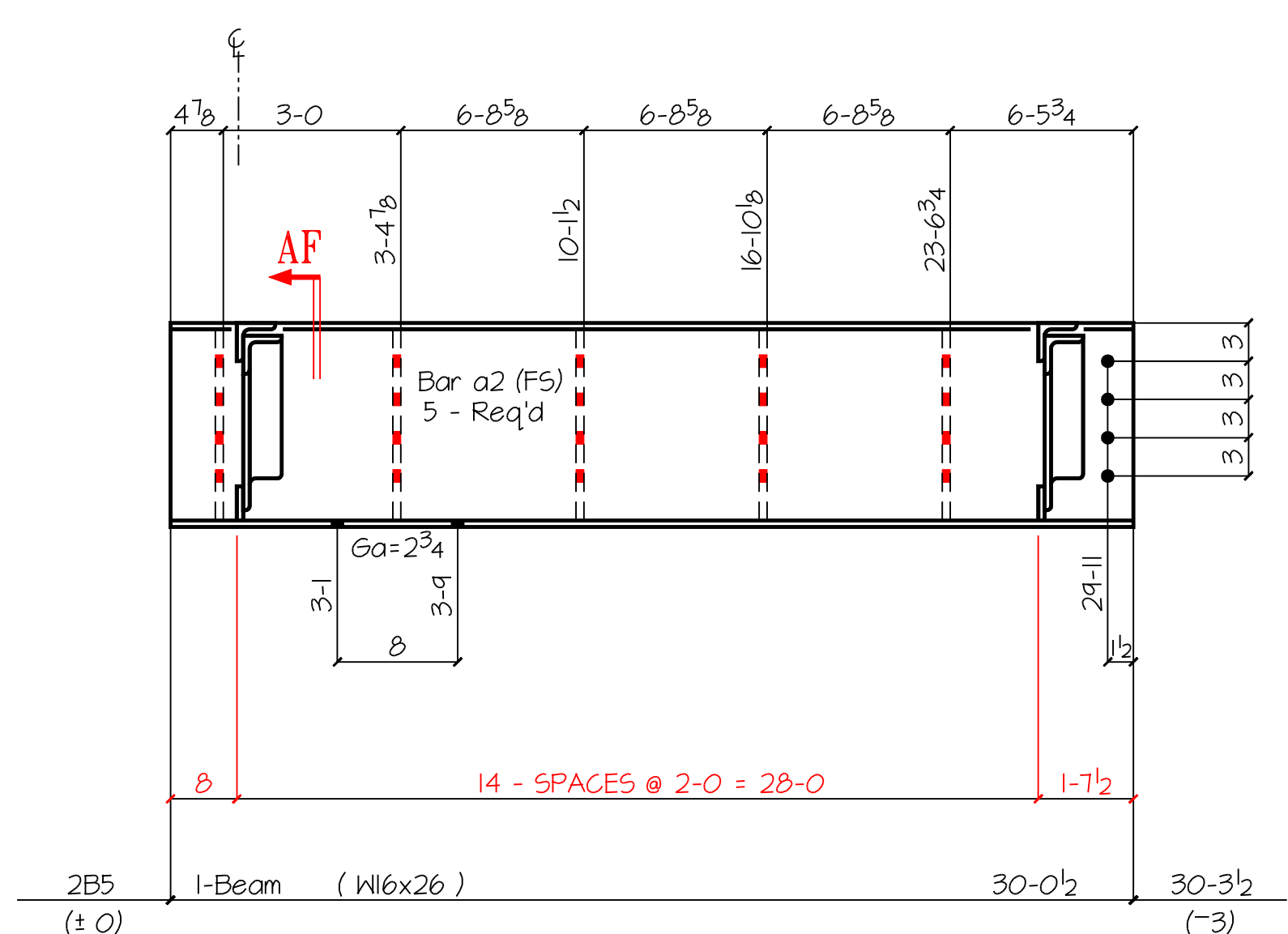
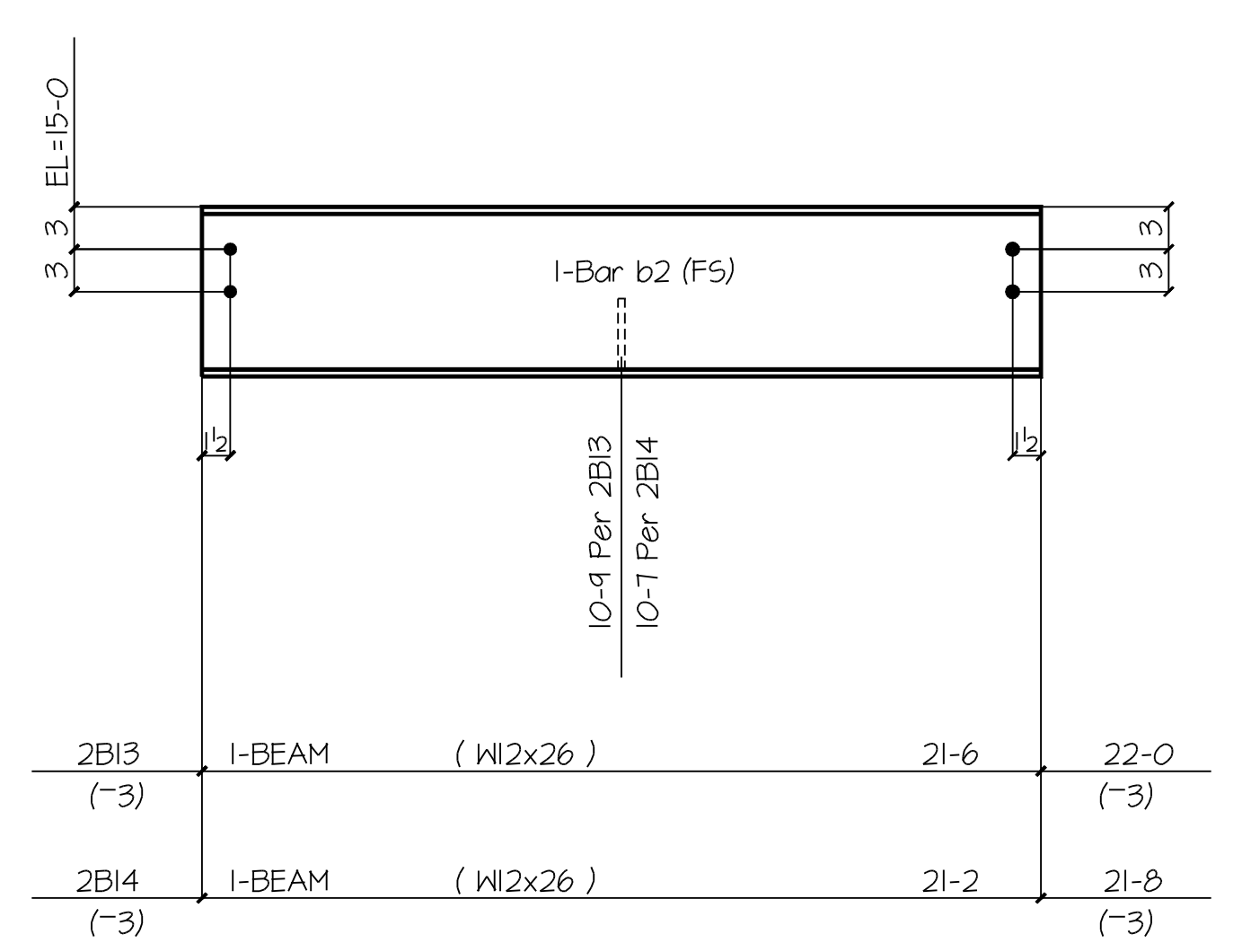
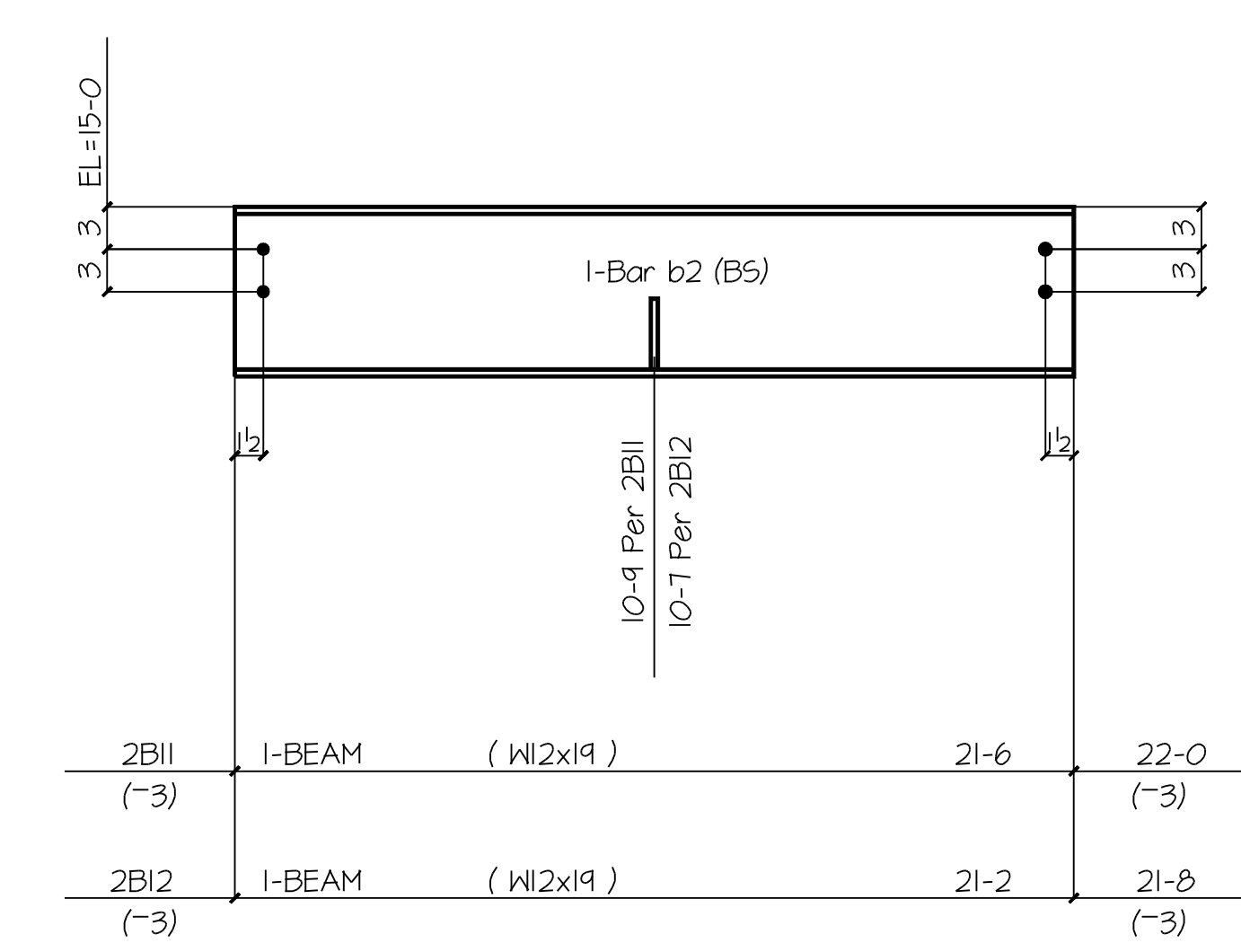
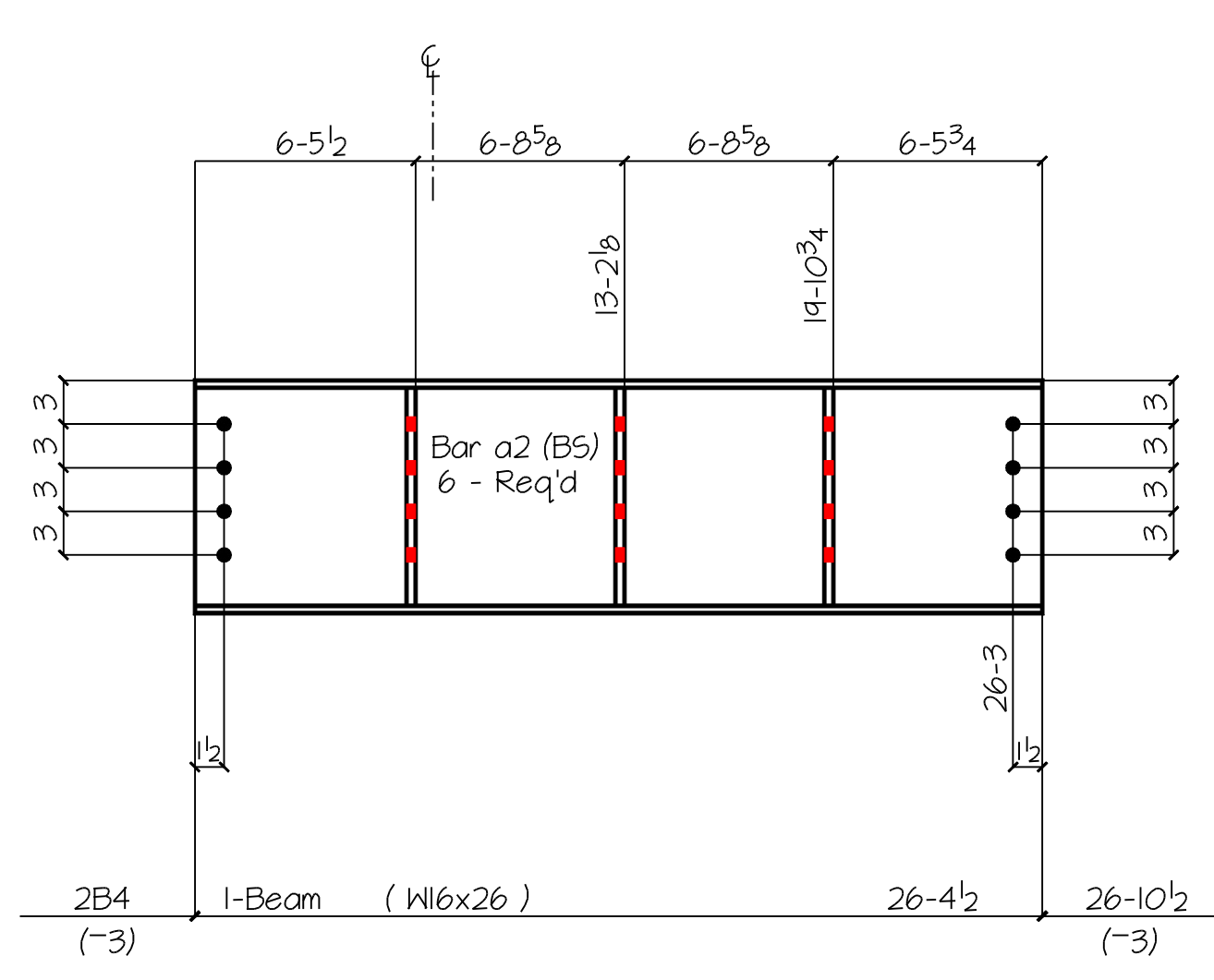
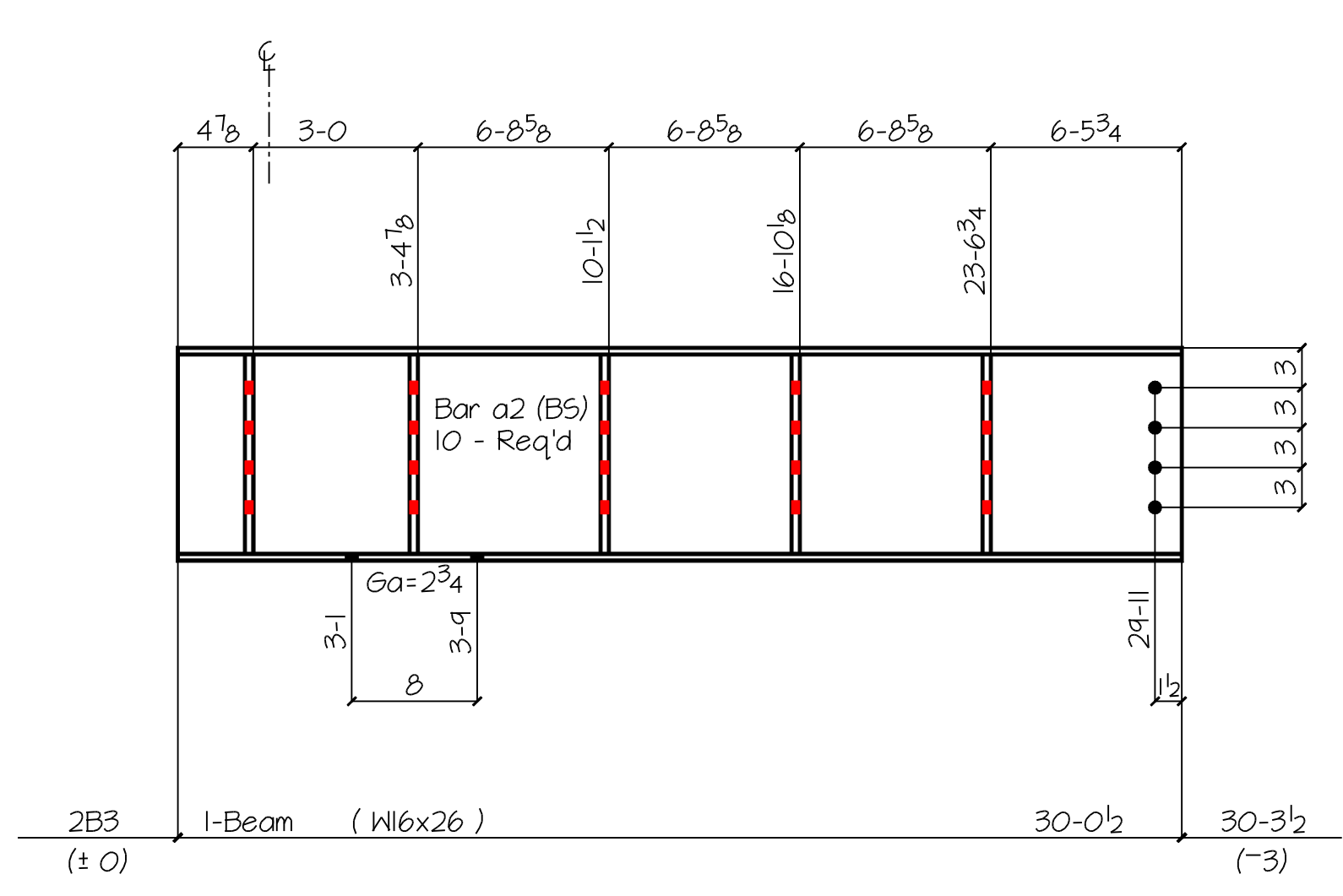
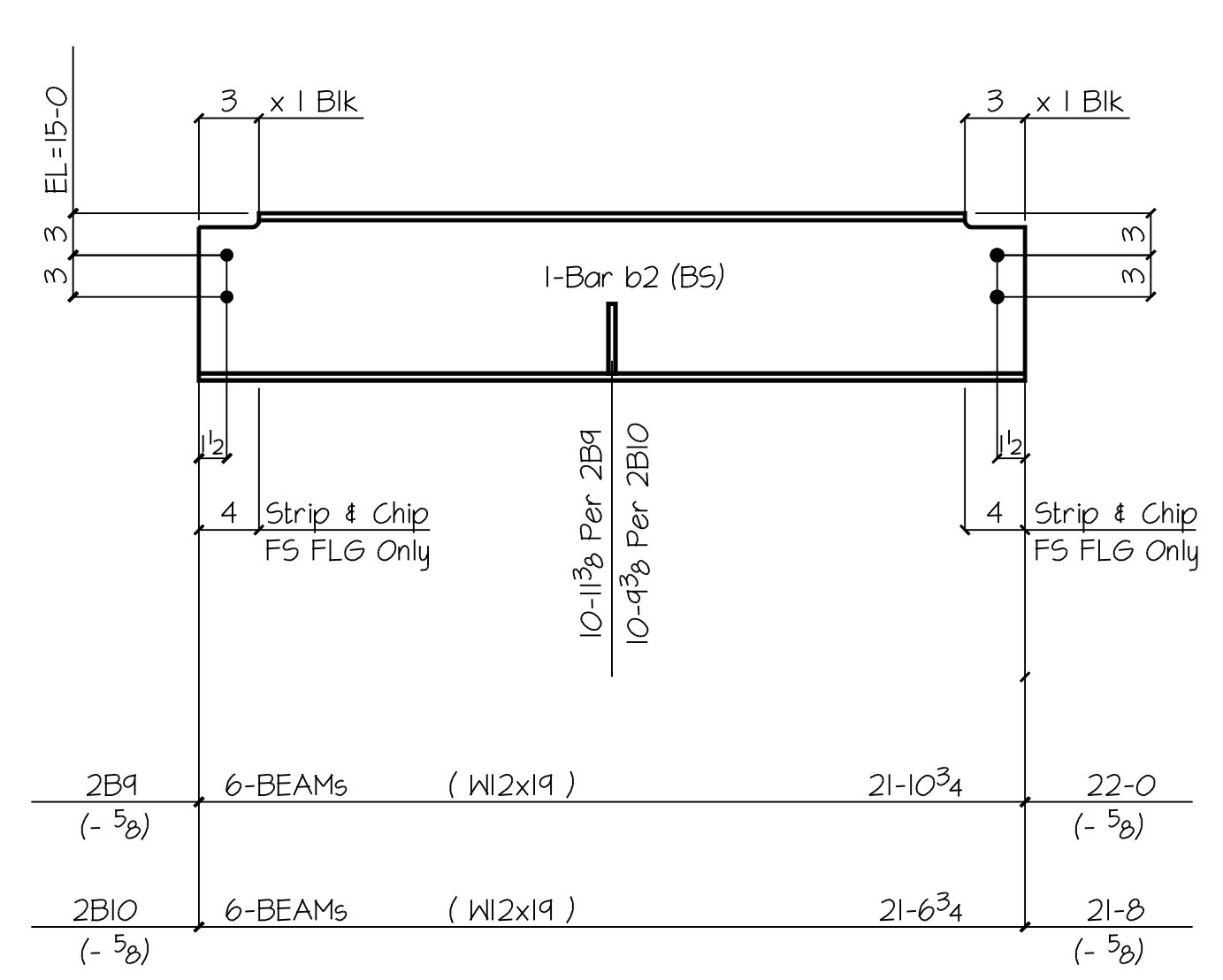
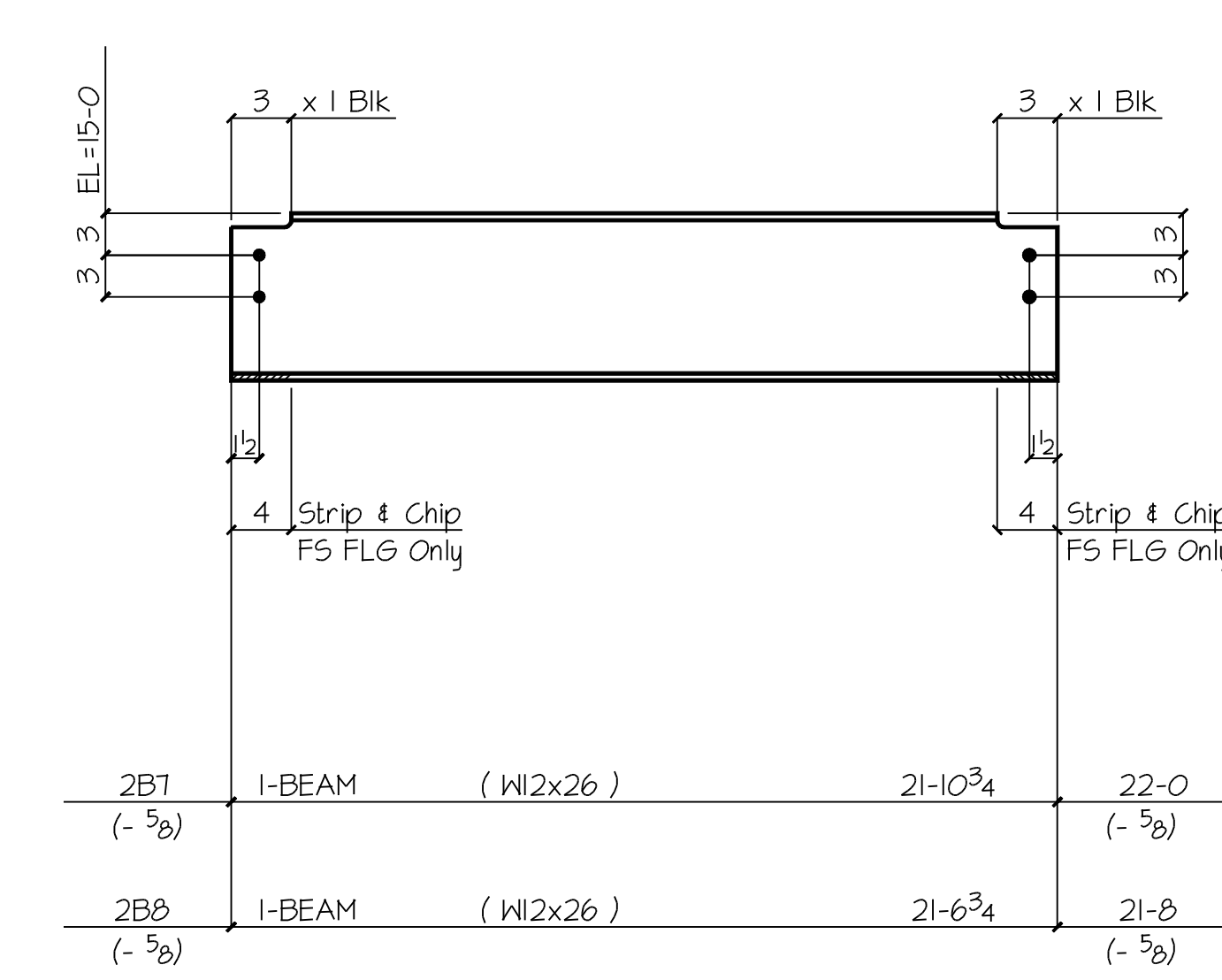
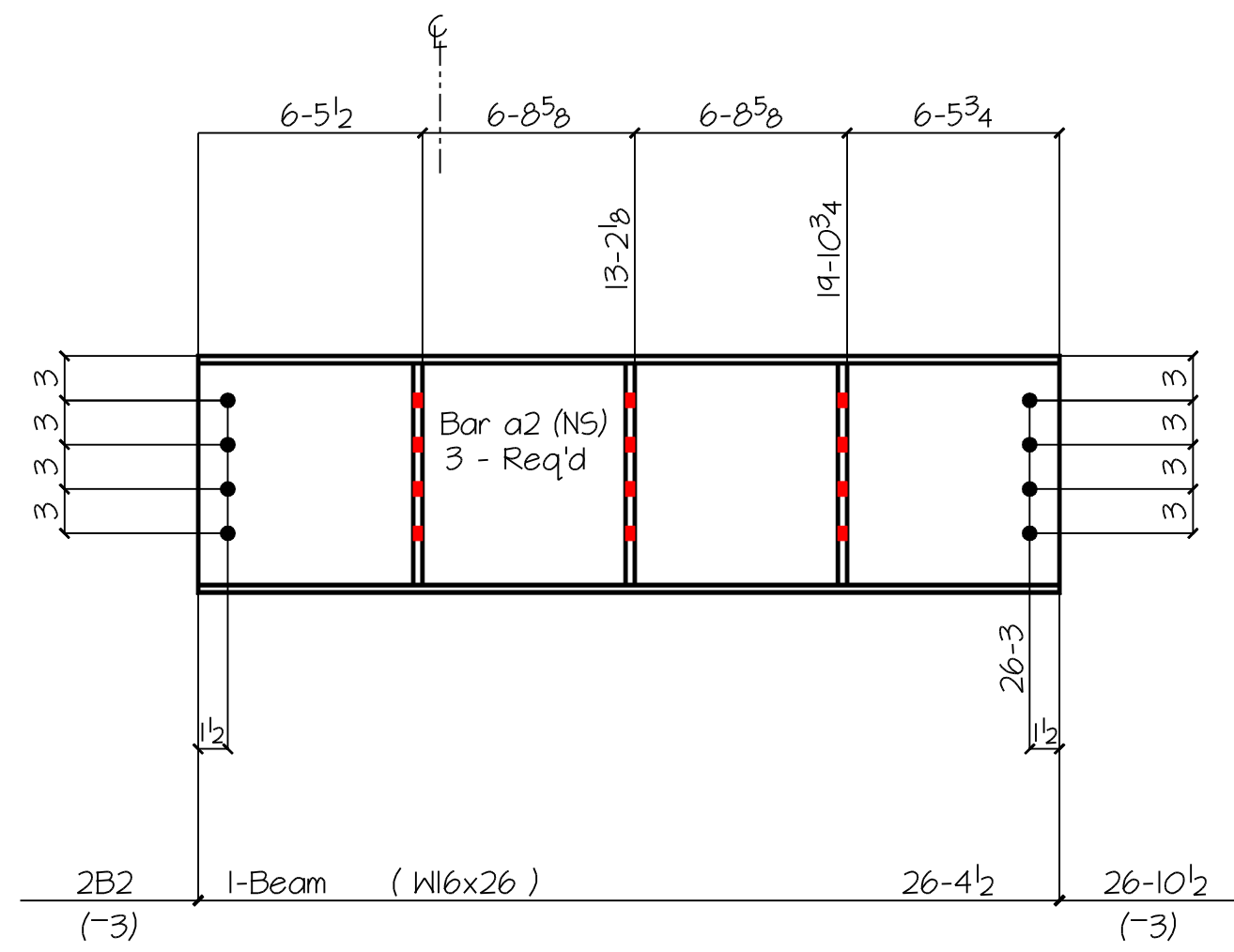
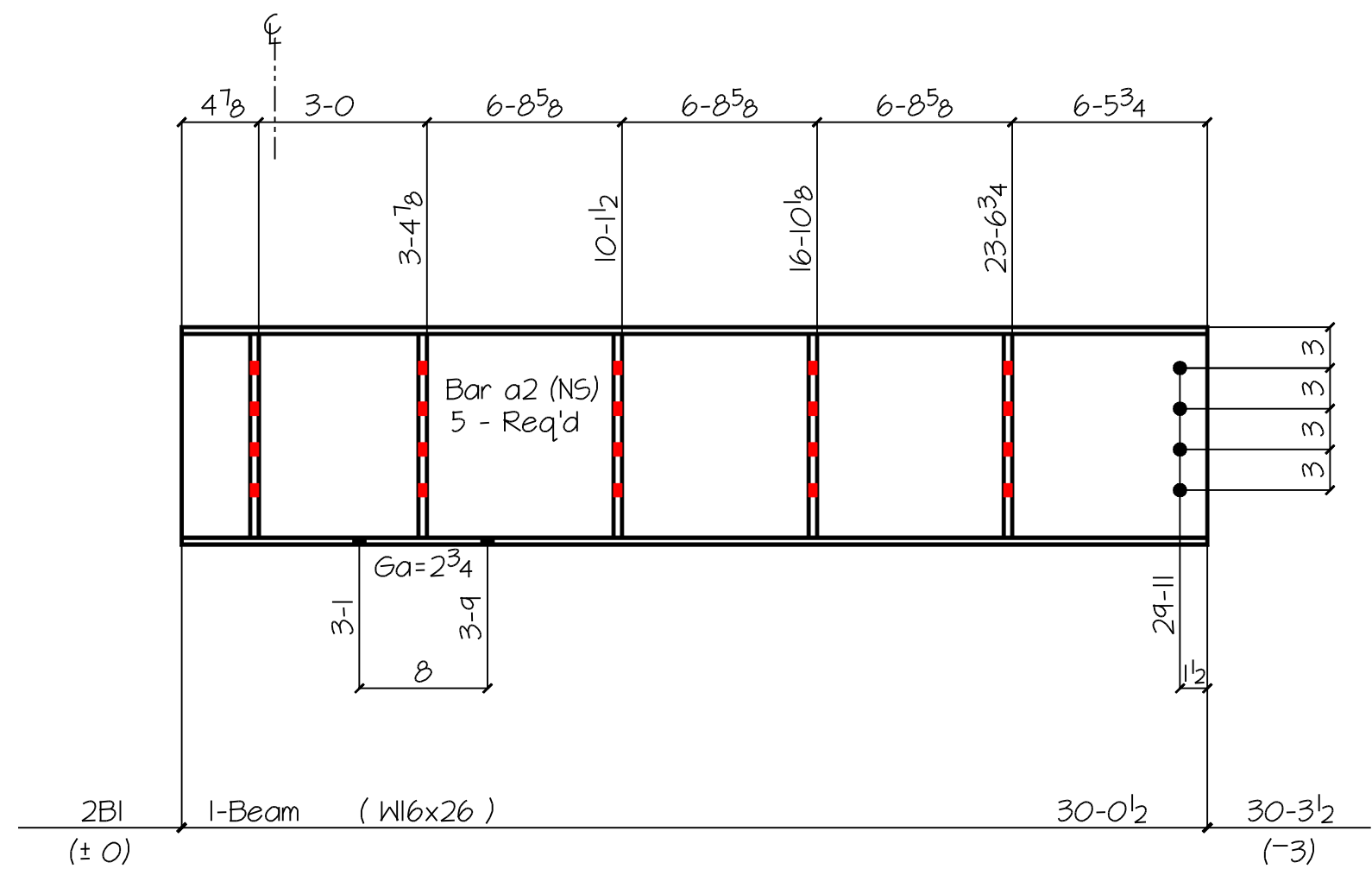
ARCHITECT _____

ENGINEER _____

DETAIL DY 2-20-08 SHOP CODE _____ SHEET # D 1 REV # _____

CHK.R Luke AFB

FN: Luke-D02.dwg



DESCRIPTION OF REVISIONS MADE TO DRAWING

1		
2		
3		
4		

REF DWG. _____

UNLESS NOTED OTHERWISE

1/4" FILLETS	MATERIAL GRADE SHALL BE A36 U.N.O.
	WF SHAPES A992 TUBES A500
	CHANNELS A992 PIPES A53
13/16" OPEN HOLE	REF SCHEDULE 501 Structural Notes # 3-10
	COATING One S/C Red Oxide Primer

AWF

DETAILS OF Beams

PROJECT Luke Shopping Center

LOCATION Arizona

CUSTOMER _____

ARCHITECT _____

ENGINEER _____

DETAIL DY 2-20-08 SHOP CODE SHEET # REV #

CHK.R _____ Luke AFB D 2

FN: Luke-D04.dwg