

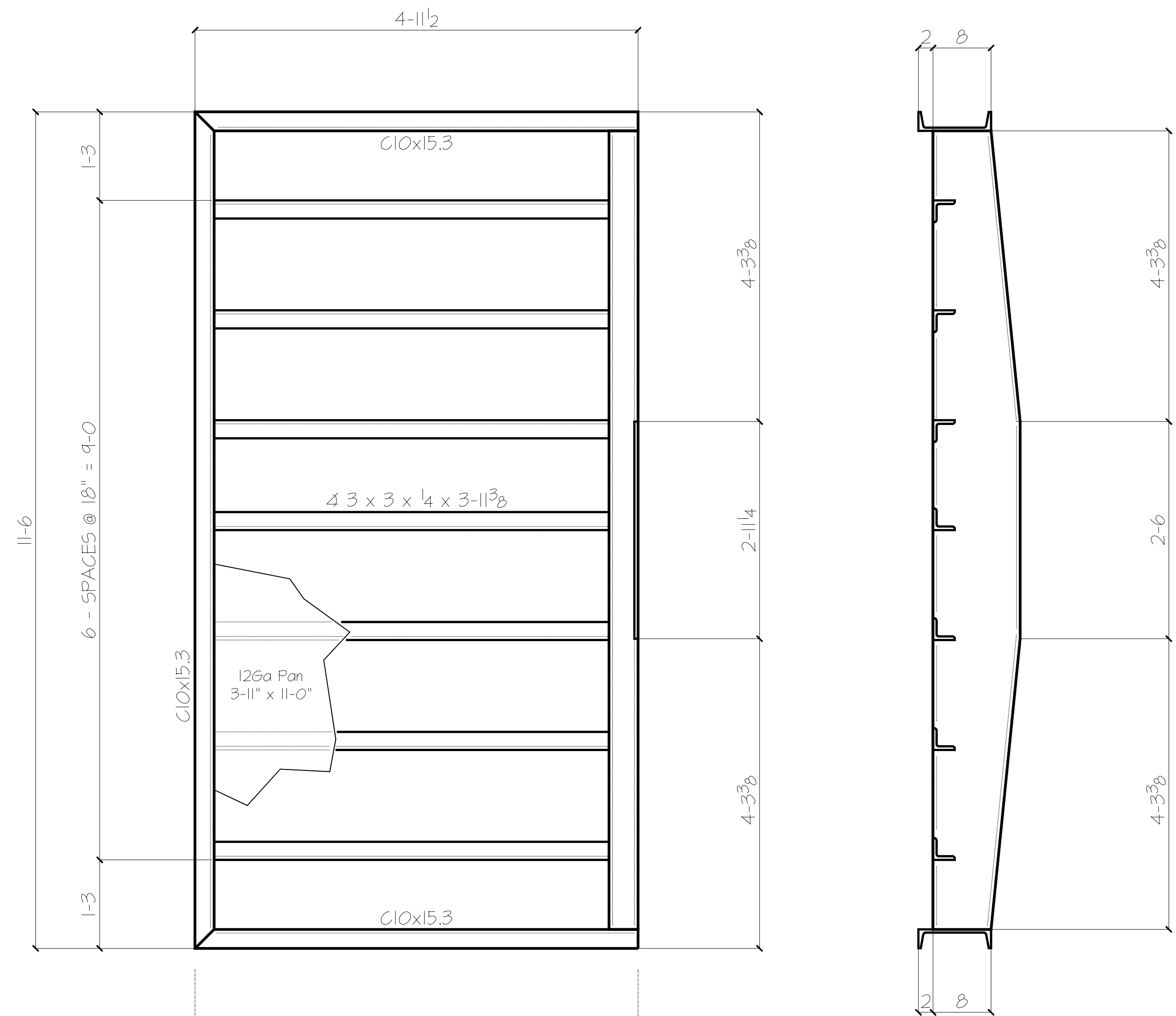
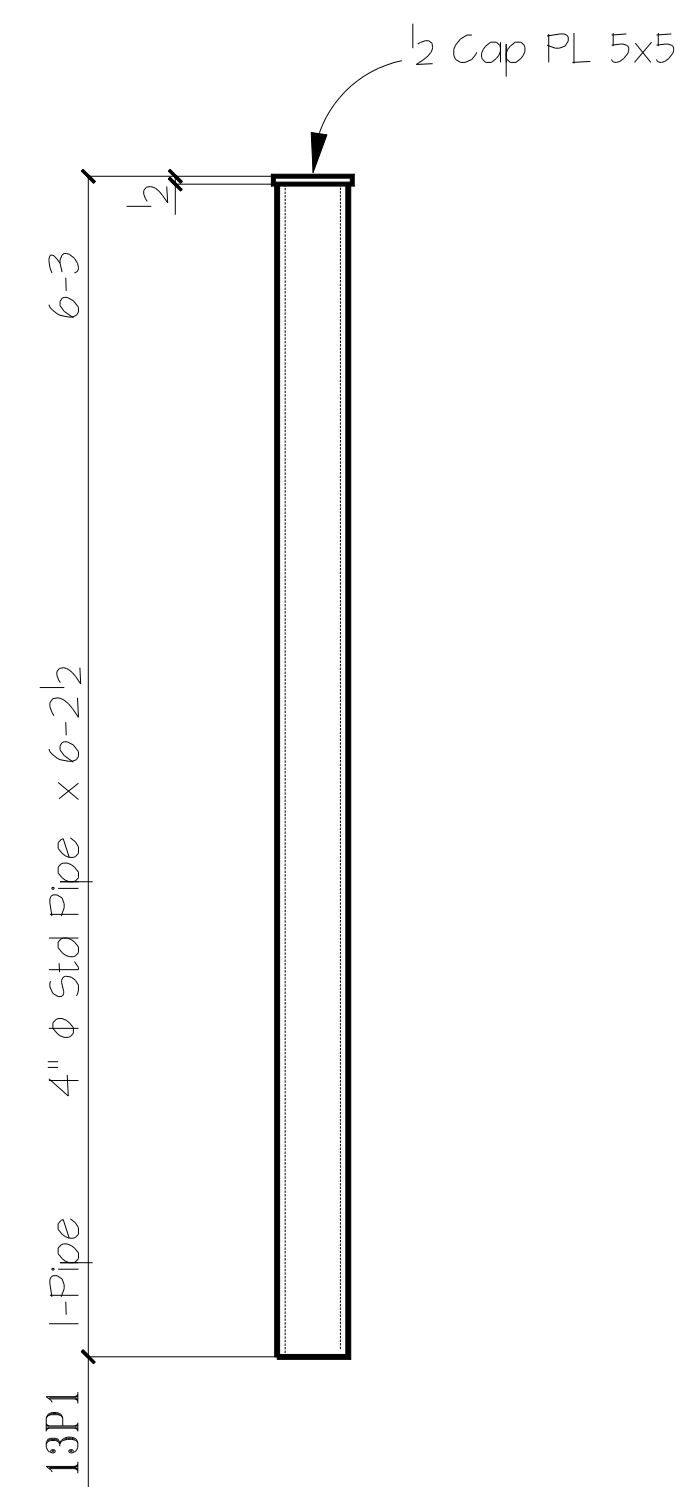
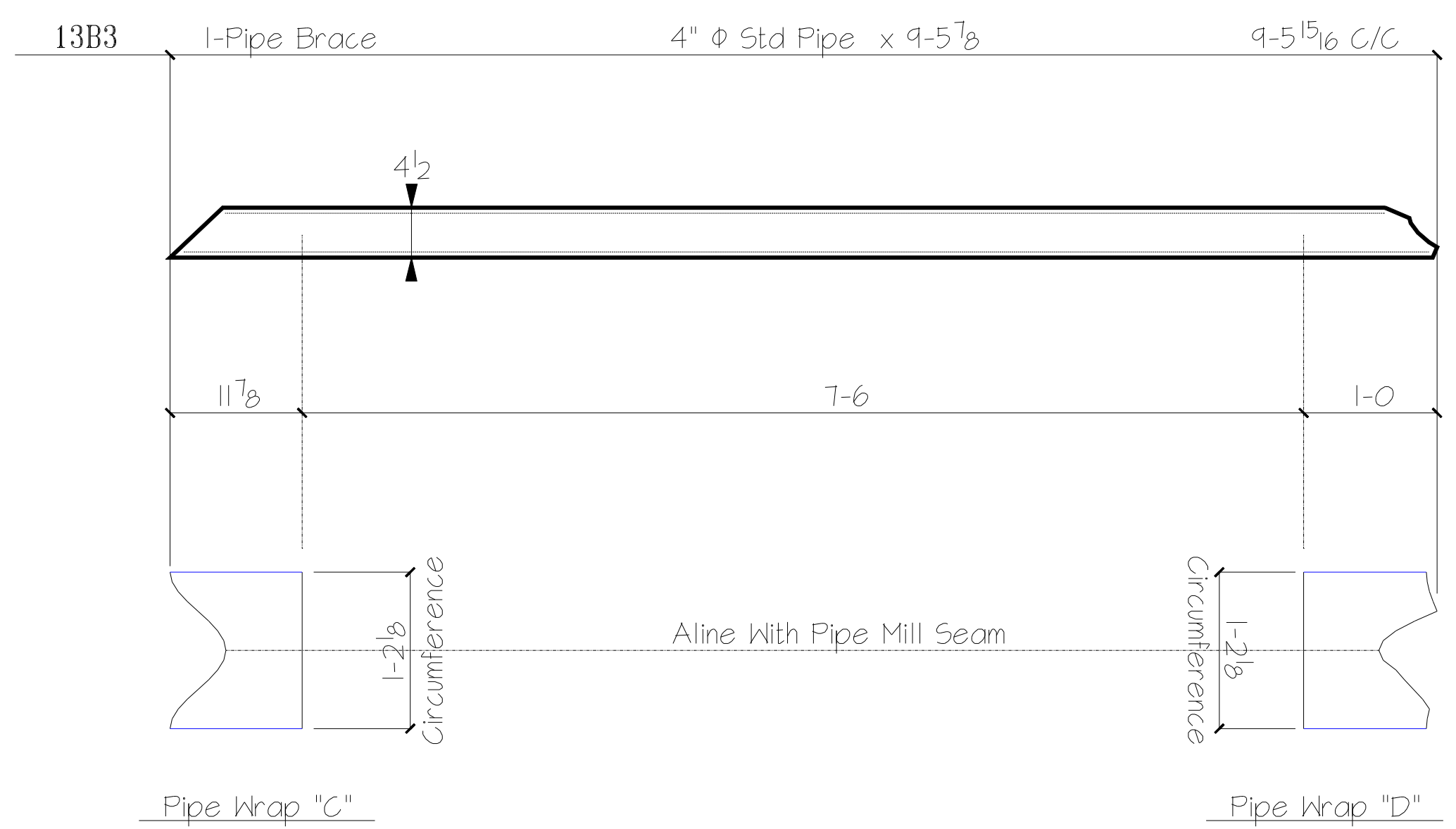
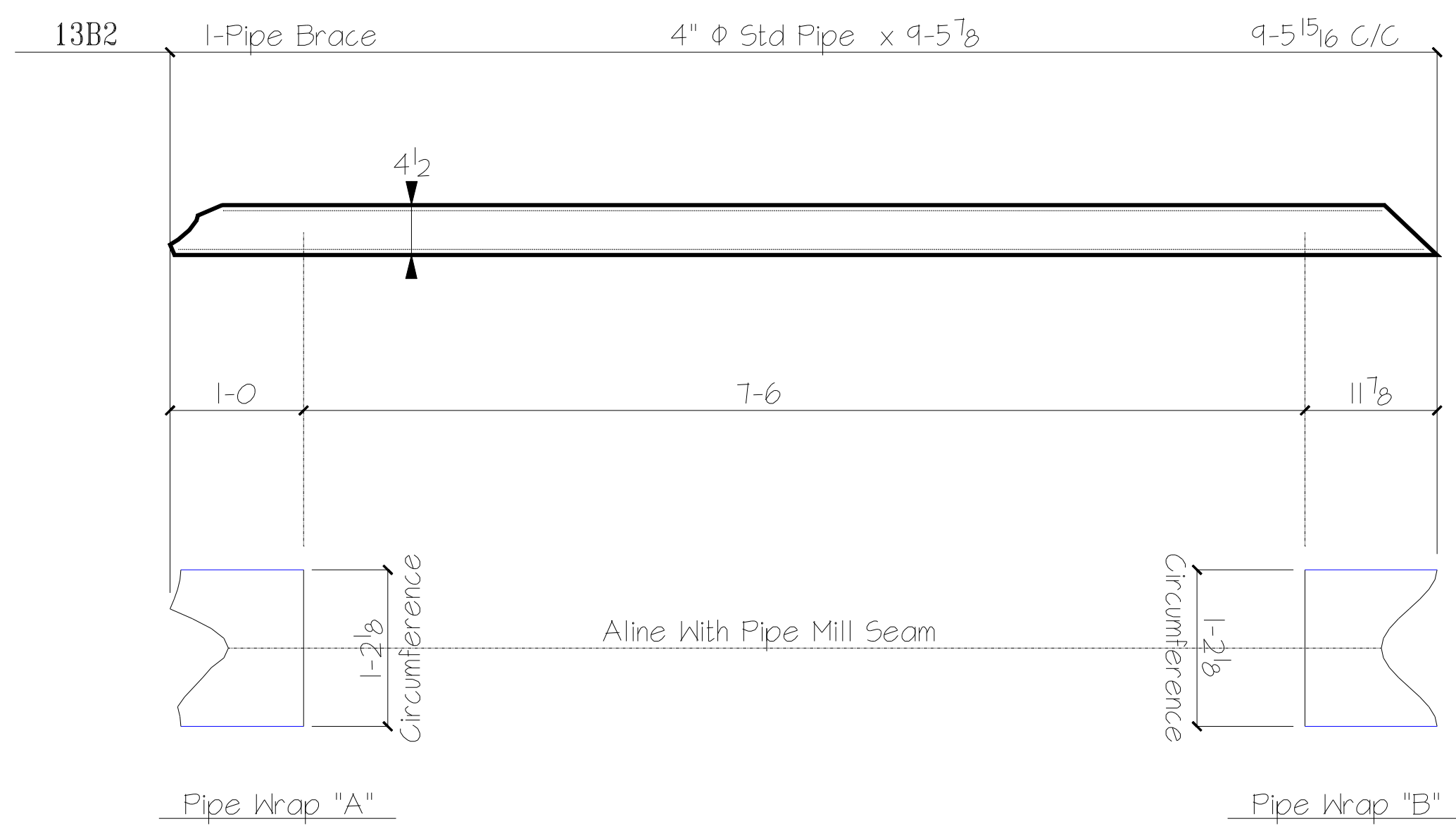
- DESCRIPTION OF REVISIONS MADE TO DRAWING -

1		
2		
3		
4		
REF DWG _____		

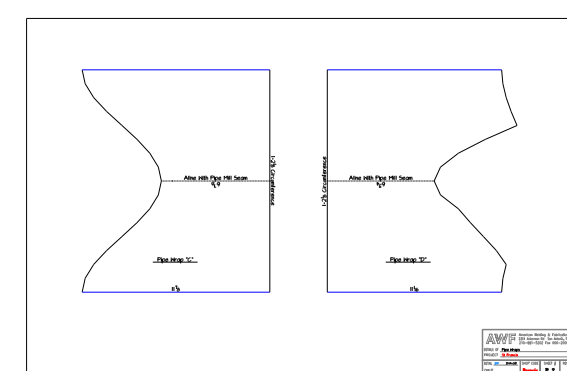
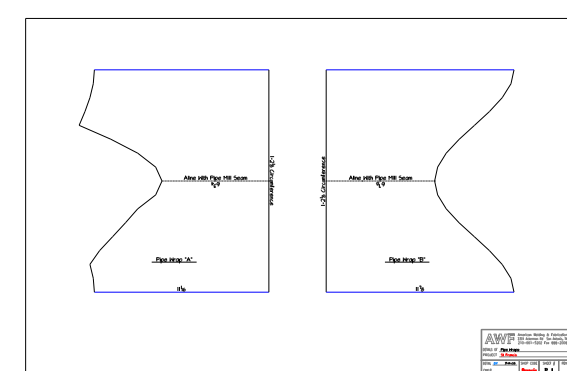
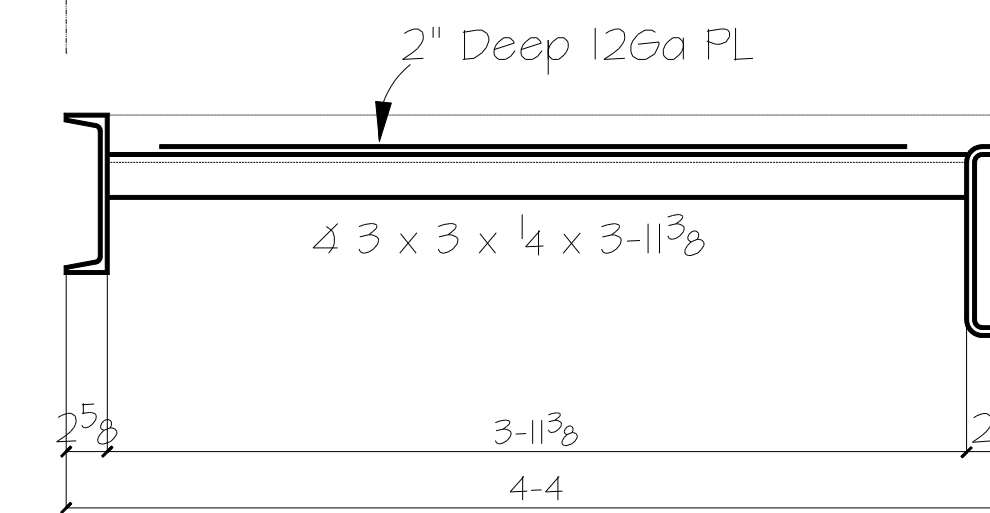
- UNLESS NOTED OTHERWISE -

1/4" FILLETS	MATERIAL GRADE SHALL BE A36 U.N.O.
	WF SHAPES A492 TUBES A500
	CHANNELS A572 PIPEs A501 or A53
13/16" OPEN HOLE	REF SCHEDULE Item # SF-1 S4.1
	COATING One S/C Red Oxide Primer

DETAILS OF Columns & Beams At Inside Stairs			
PROJECT	St Francis		
LOCATION	4201 De Zavzlr Road		
CUSTOMER	St Francis Assisi Catholic Church		
ARCHITECT	O'Neill Conrad Oppelt		
ENGINEER	Danyeh & Associates		
DETAIL	DY	3-12-08	SHOP CODE
CHK.R		Francis	SHEET # E 5
FN= Francis_Stair_Out.dwg			



1 Landing MK: 13F1



- DESCRIPTION OF REVISIONS MADE TO DRAWING -

1			
2			
3			
4			
REF DWG. _____			

- UNLESS NOTED OTHERWISE -

1/4" FILLETS	MATERIAL GRADE SHELL BE A36 U.N.O.
	WF SHAPES A492 TUBES A500
	CHANNELS A572 PIPES A501 or A53
13/16" ϕ OPEN HOLE	REF SCHEDULE Item # SF-1 S4.1
	COATING One S/C Red Oxide Primer

DETAILS OF Columns & Beams At Inside Stairs			
PROJECT	St Francis		
LOCATION	4201 De Zavzlr Road		
CUSTOMER	St Francis Assisi Catholic Church		
ARCHITECT	O'Neill Conrad Oppelt		
ENGINEER	Danyeh & Associates		
DETAIL	DY 3-12-08	SHOP CODE	SHEET #
CHK.R	Francis	D 13	REV #
FN= francis_stair_out.dwg			