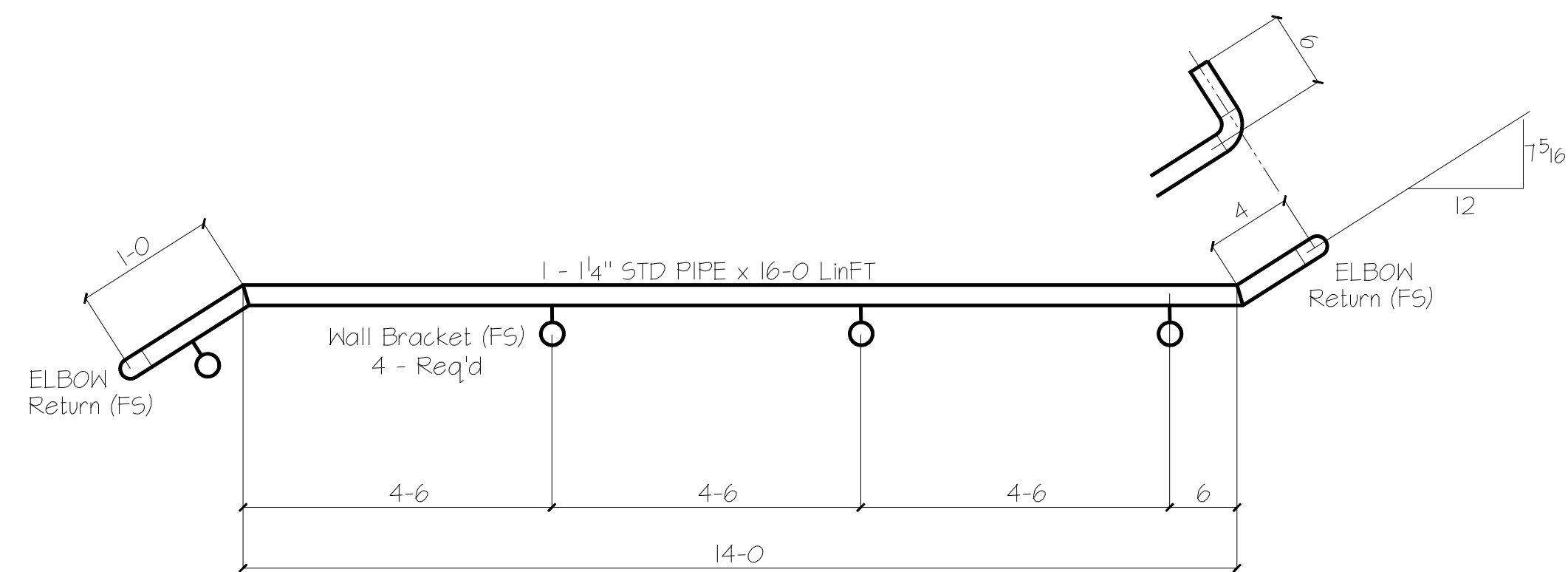
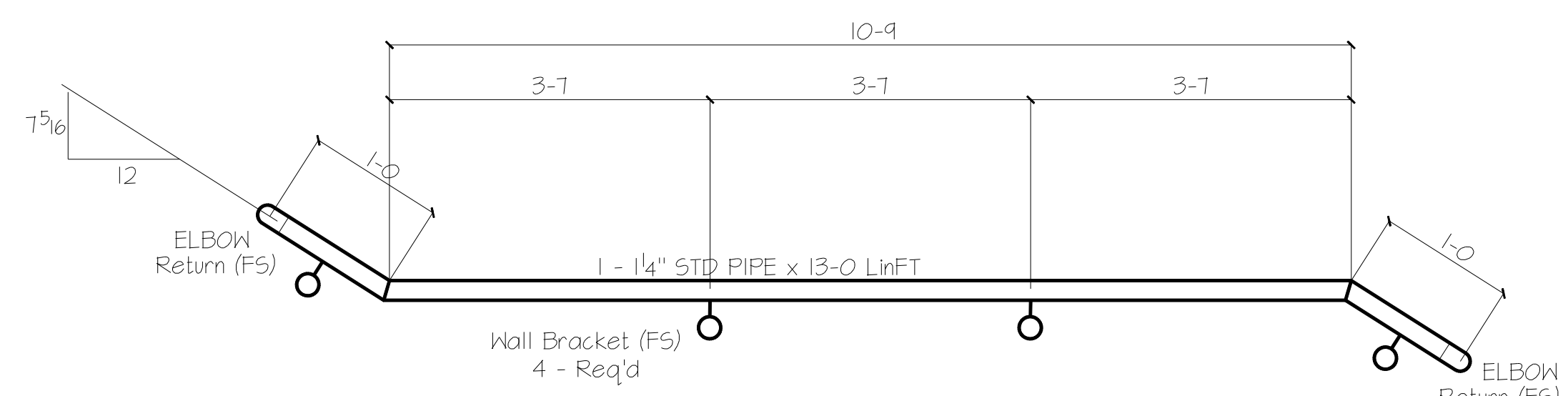


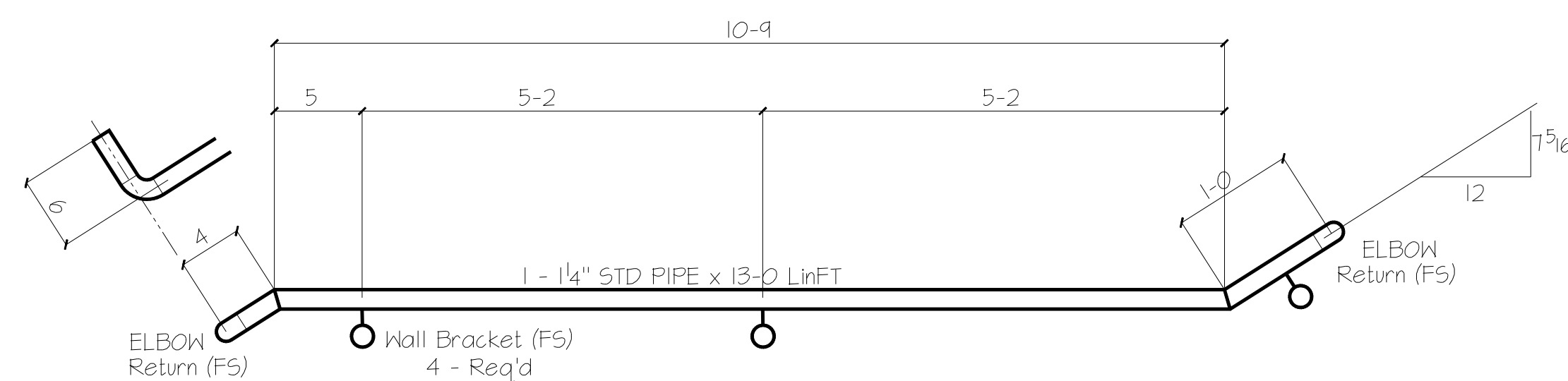
**1 Handrail MK: 12HR1**  
1st Landing To 2nd Floor



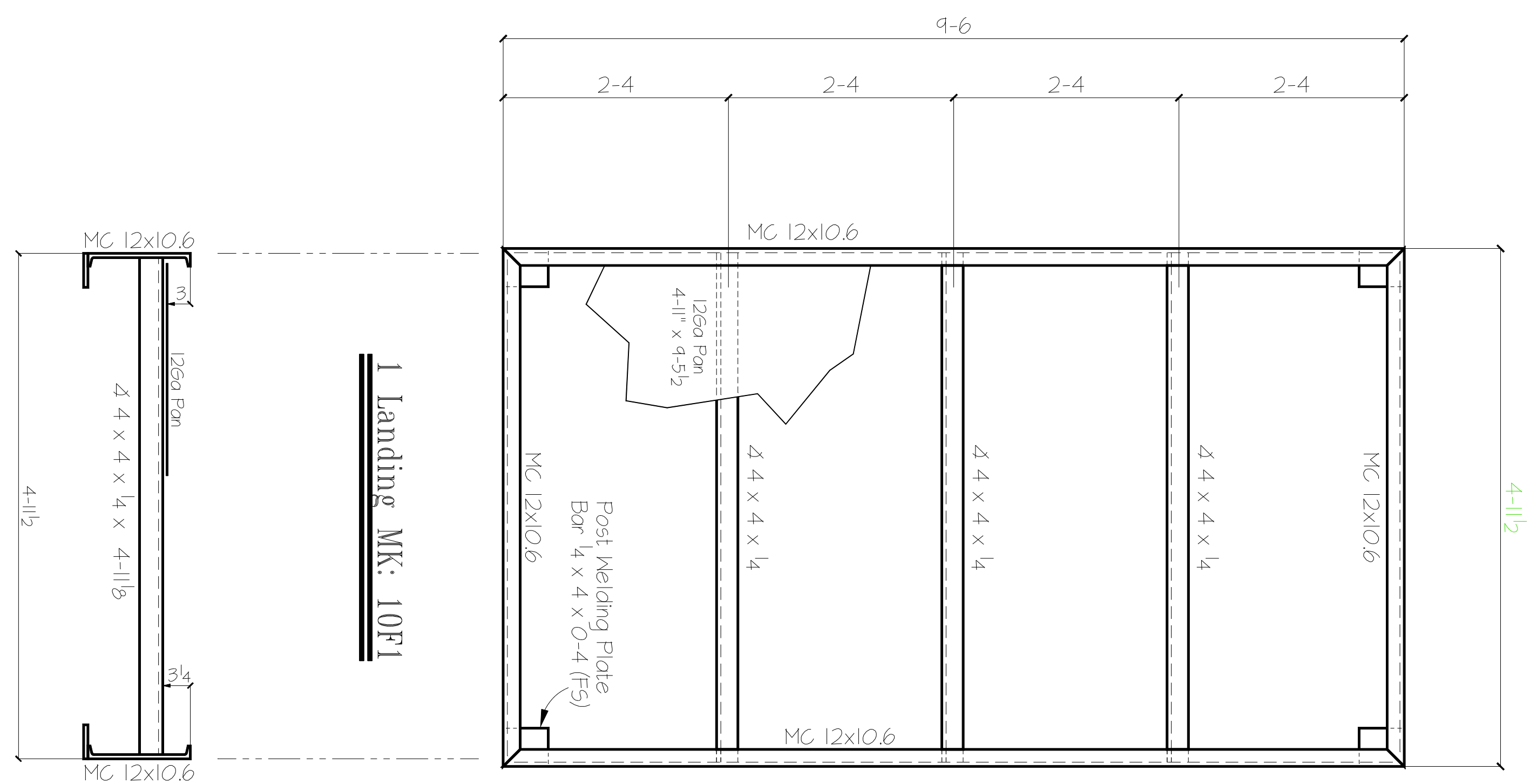
**1 Handrail MK: 12HR2**  
1st Landing To 2nd Floor



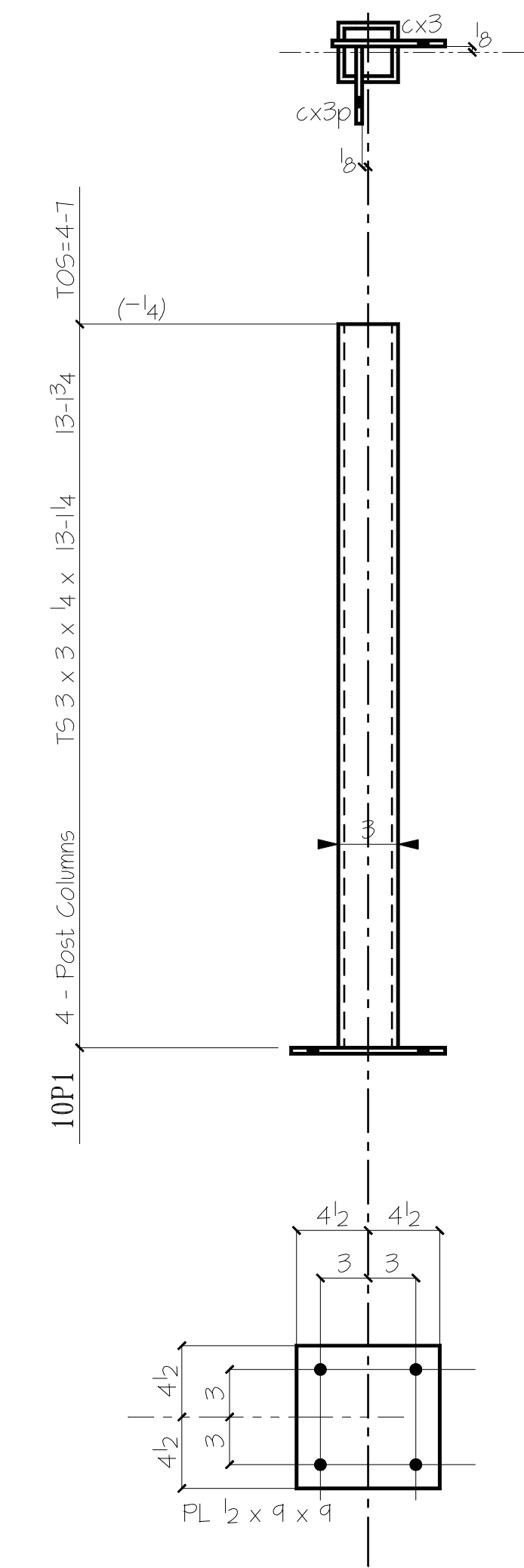
**1 Handrail MK: 12HR3**  
1st Landing To 1st Floor

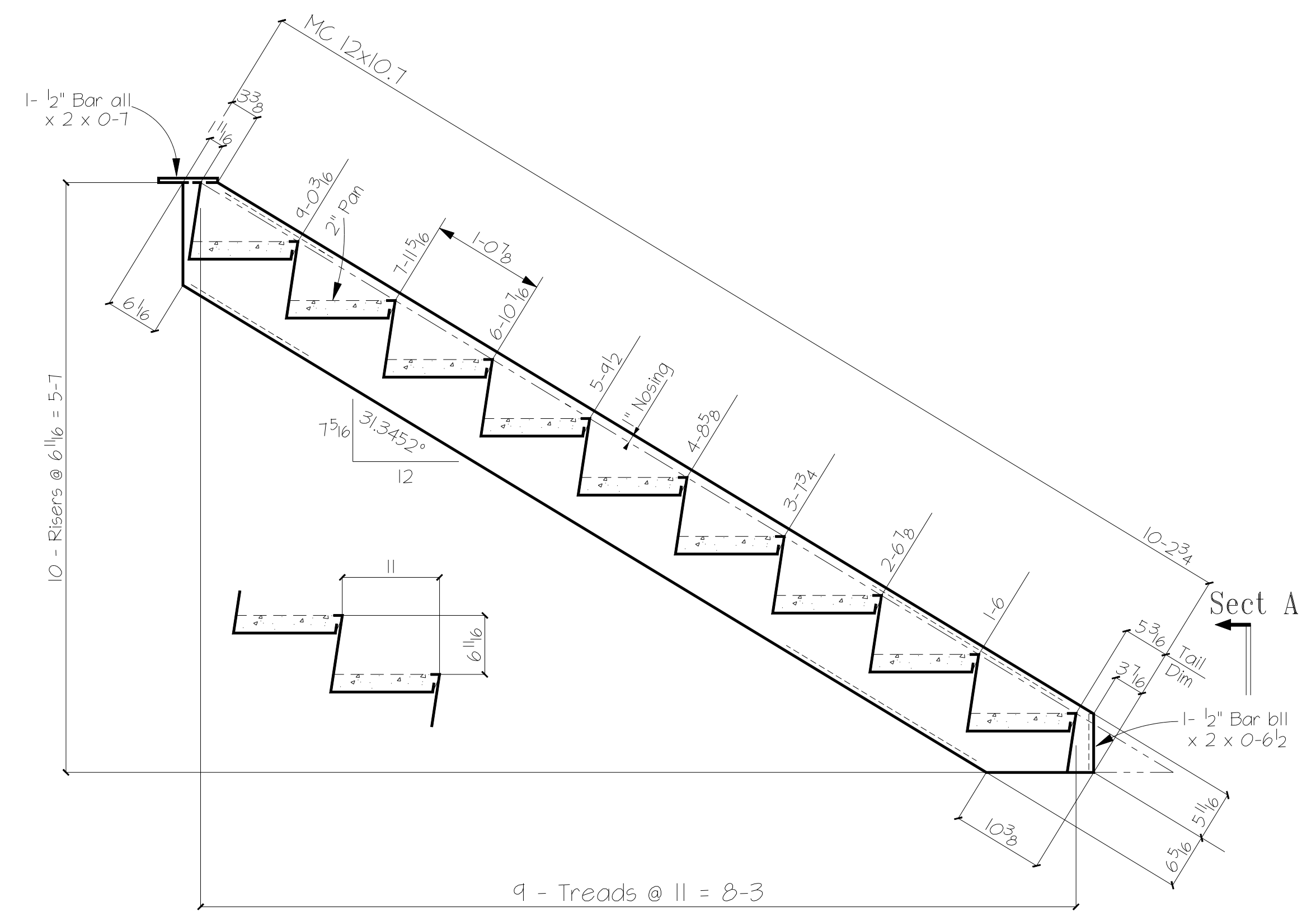


**1 Handrail MK: 12HR4**  
1st Landing To 1st Floor

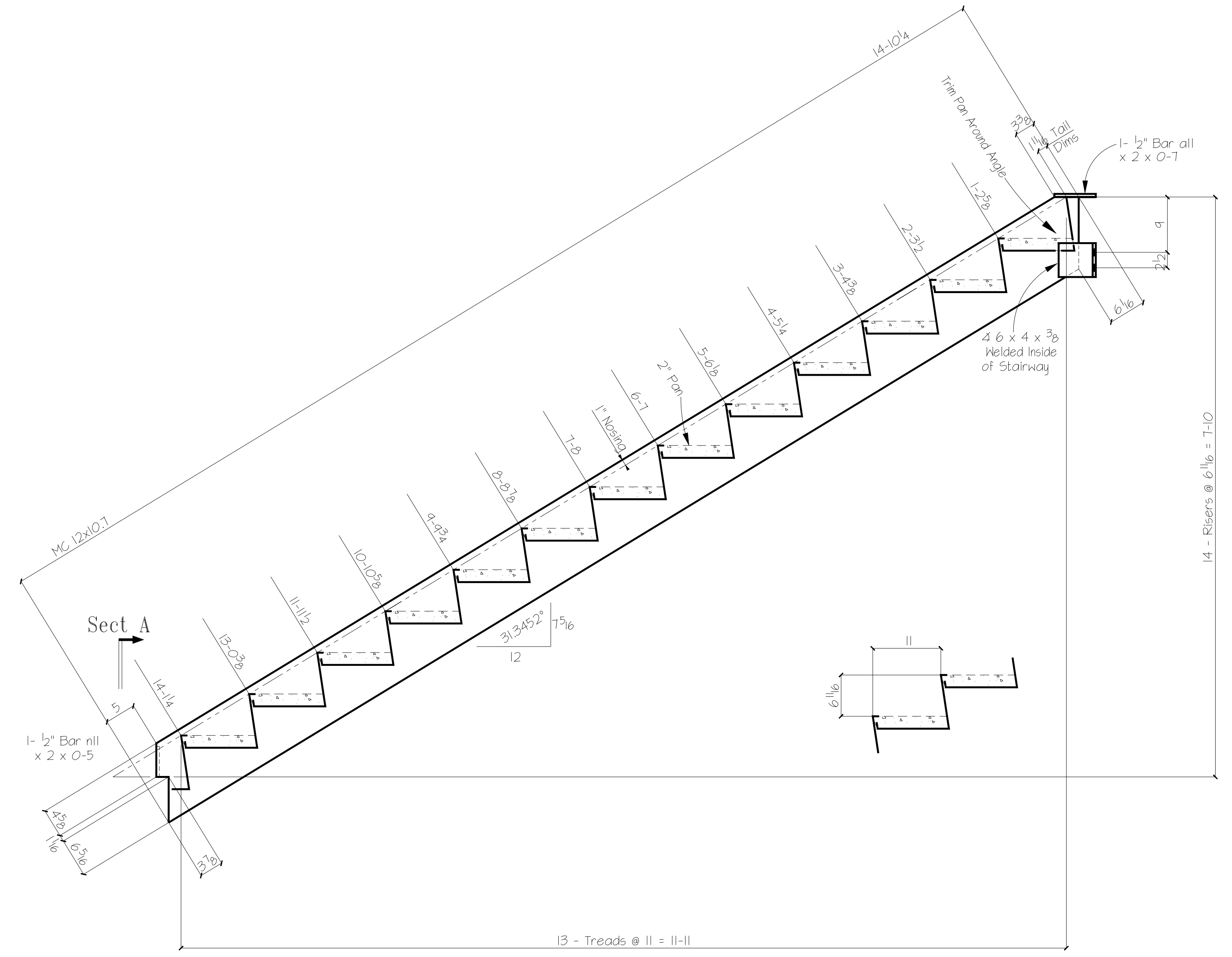


**1 Landing MK: 10F1**

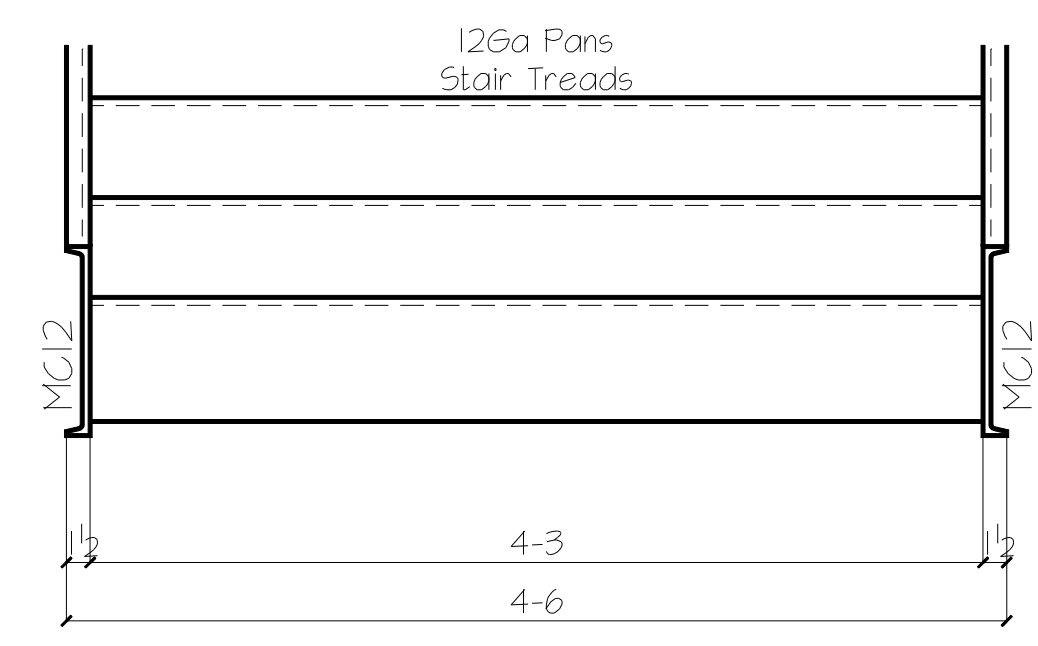




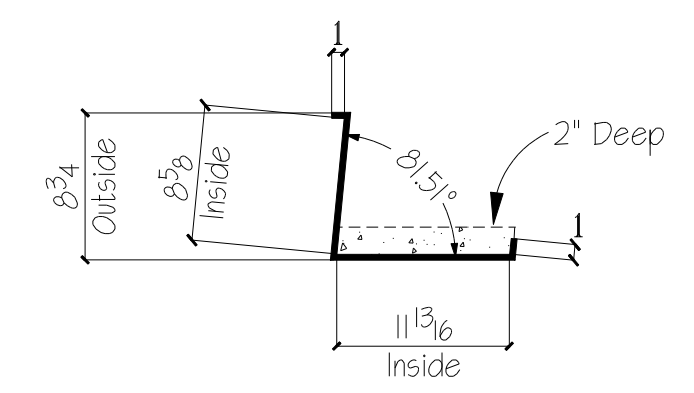
9 - Treads @ 11 = 8-3  
**1 Stairway MK: 11SW1**



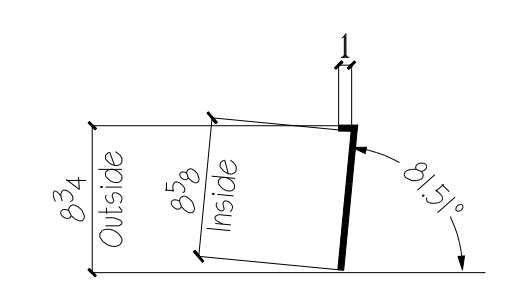
13 - Treads @ 11 = 11-11  
**1 Stairway MK: 11SW2**



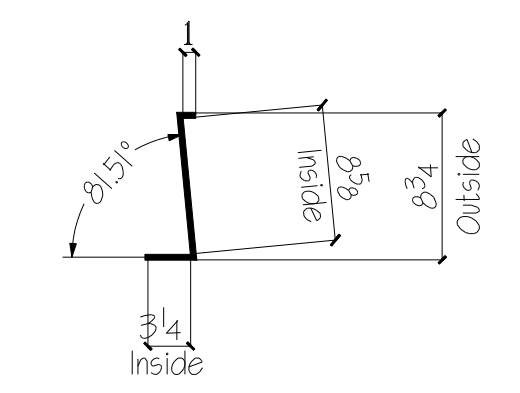
**SECTION A**



1-PL 12Ga x 22 7/8 x 4-3  
**Detail of Bent PL**  
 ( 4 - Req'd ) Per Each 11SW1  
 ( 13 - Req'd ) Per Each 11SW2



1-PL 12Ga x 4 5/8 x 4-3  
**Detail of Bent PL**  
 ( 1 - Req'd ) Per Each 11SW1 At Bott



1-PL 12Ga x 12 7/8 x 4-3  
**Detail of Bent PL k11**  
 ( 1 - Req'd ) Per Each 11SW2 At Bott