

DESCRIPTION OF REVISIONS MADE TO DRAWING

1		
2		
3		
4		

REF DWG. _____

UNLESS NOTED OTHERWISE

1/4" FILLETS	MATERIAL GRADE SHALL BE A36 U.N.O.
	WF SHAPES A992 TUBES A500
	CHANNELS A572 PIPEs A501 or A53
13/16" OPEN HOLE	REF SCHEDULE Item # SF-1 S4.1
	COATING One S/C Red Oxide Primer

AWF

DETAILS OF Main Steel Beams & Columns

PROJECT St. Francis

LOCATION _____

CUSTOMER _____

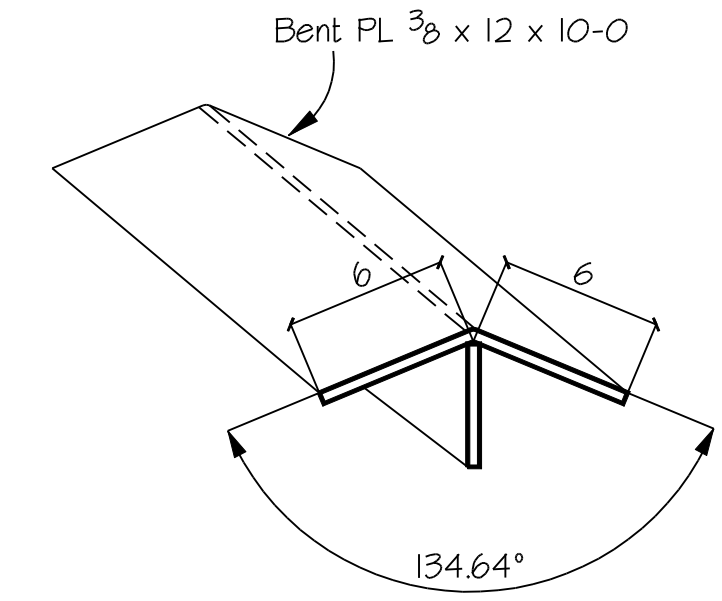
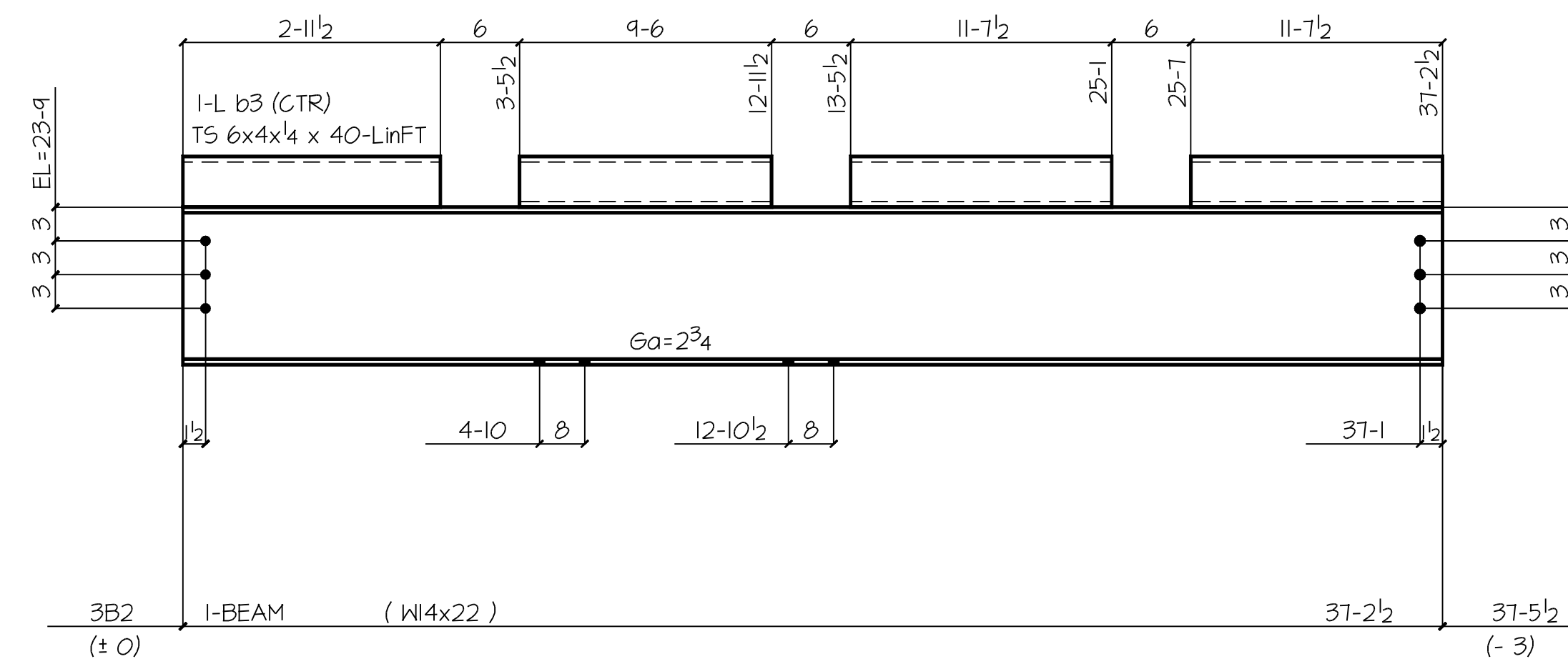
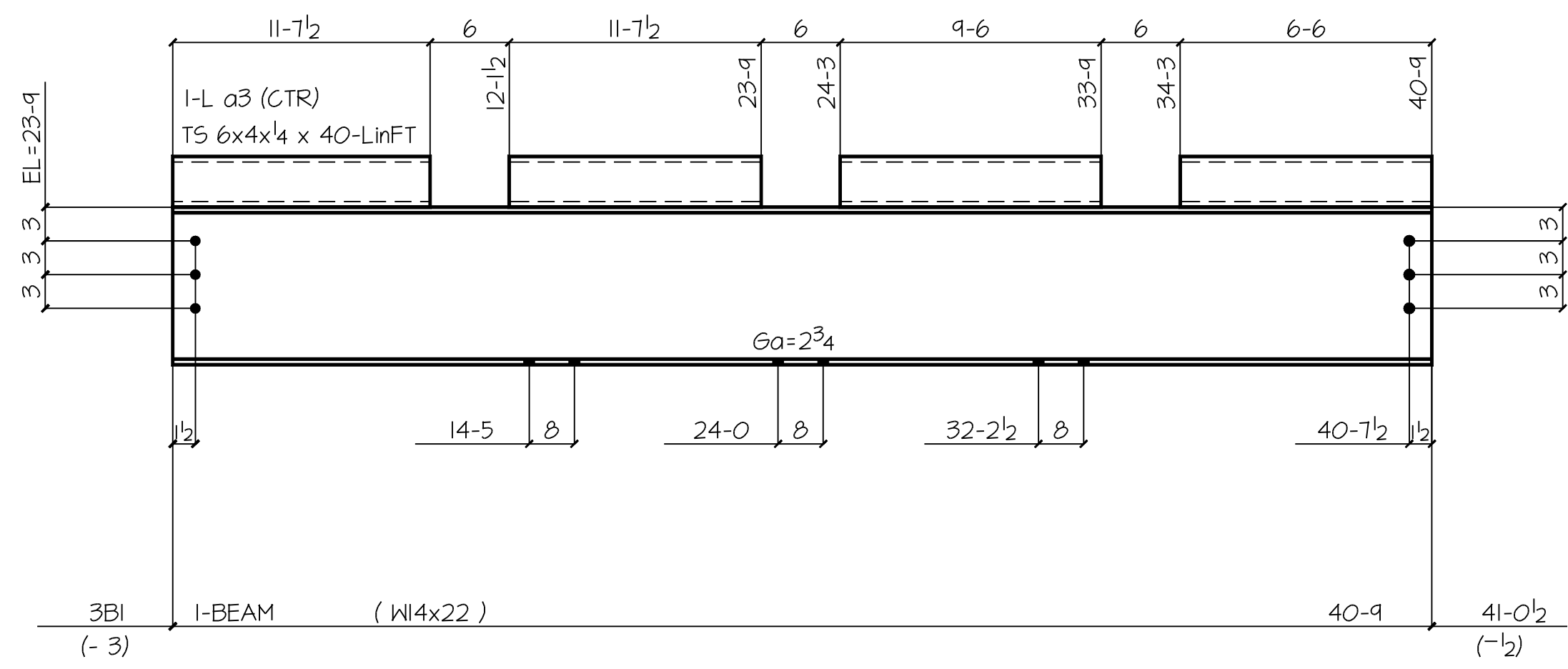
ARCHITECT _____

ENGINEER _____

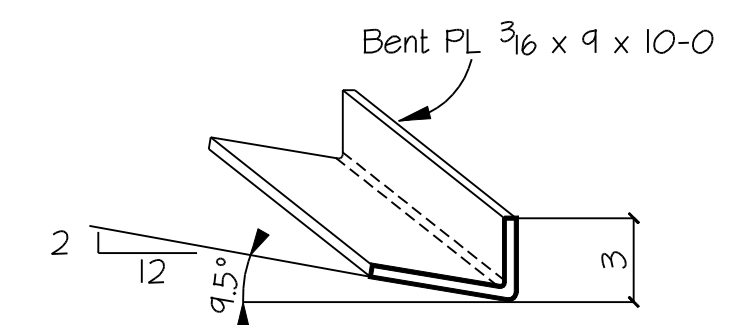
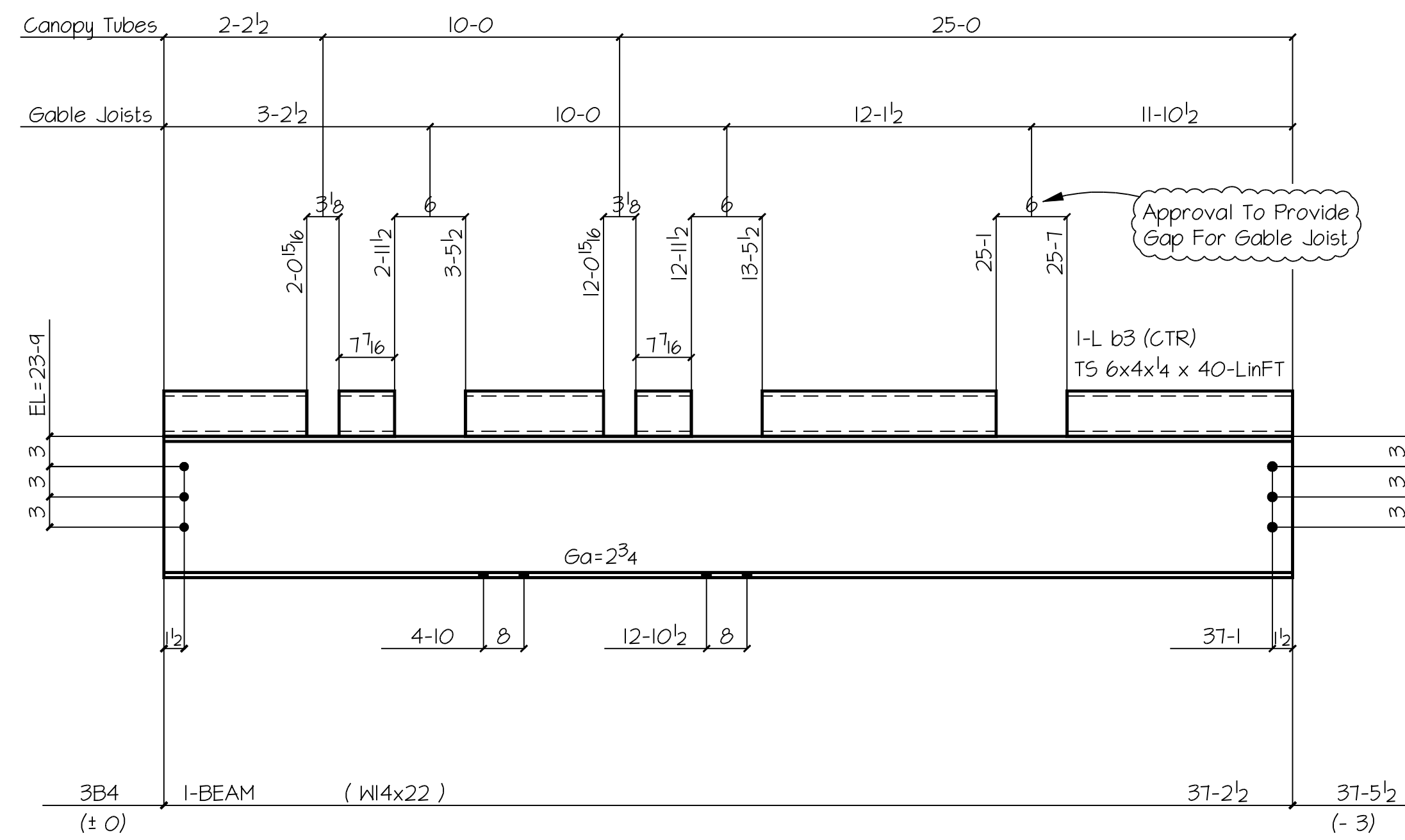
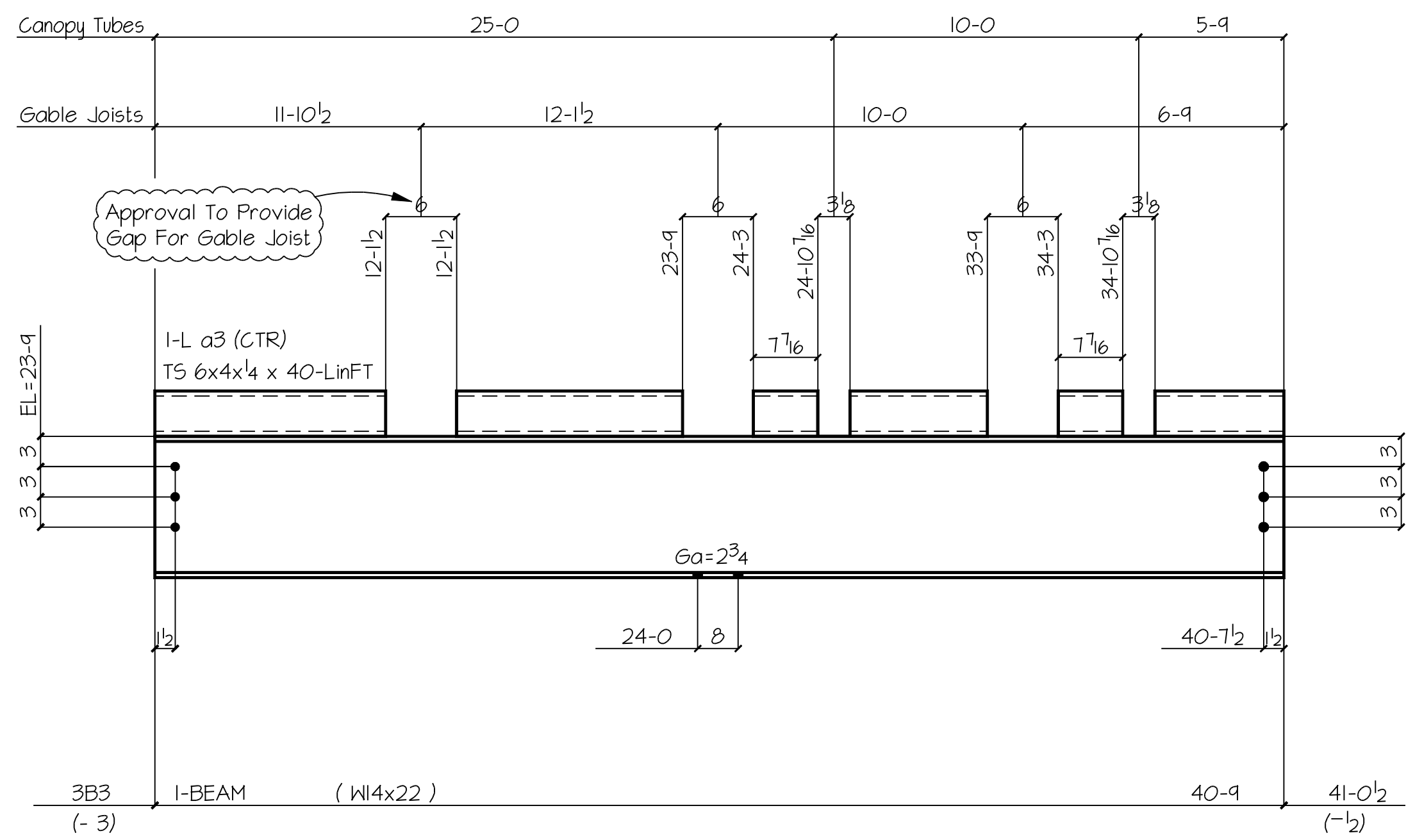
DETAIL DY 3-10-08 SHOP CODE SHEET # REV #

CHK.R Francis D 2

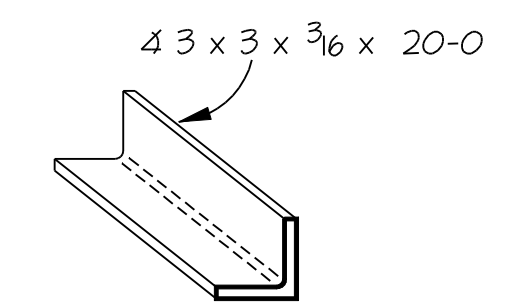
FN= Francis_DT-05.dwg



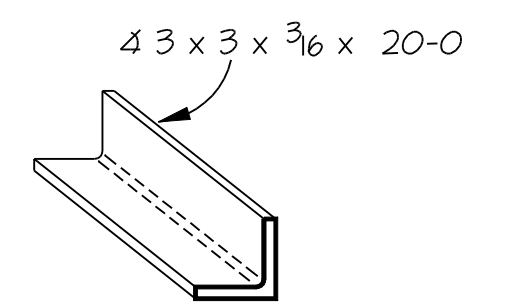
3 Bent PL MK: 3BP1
 Ref @ Grid Line AD
 Field Splice Weld As Needed



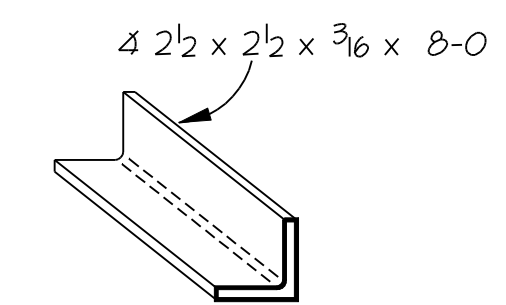
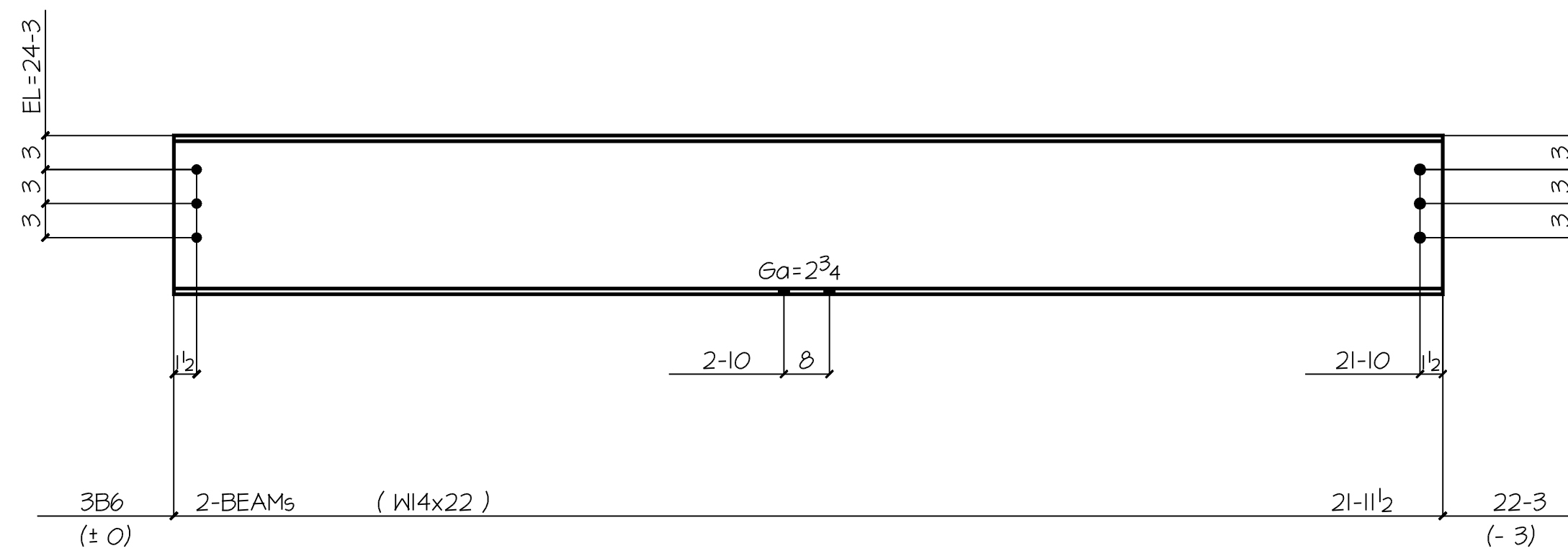
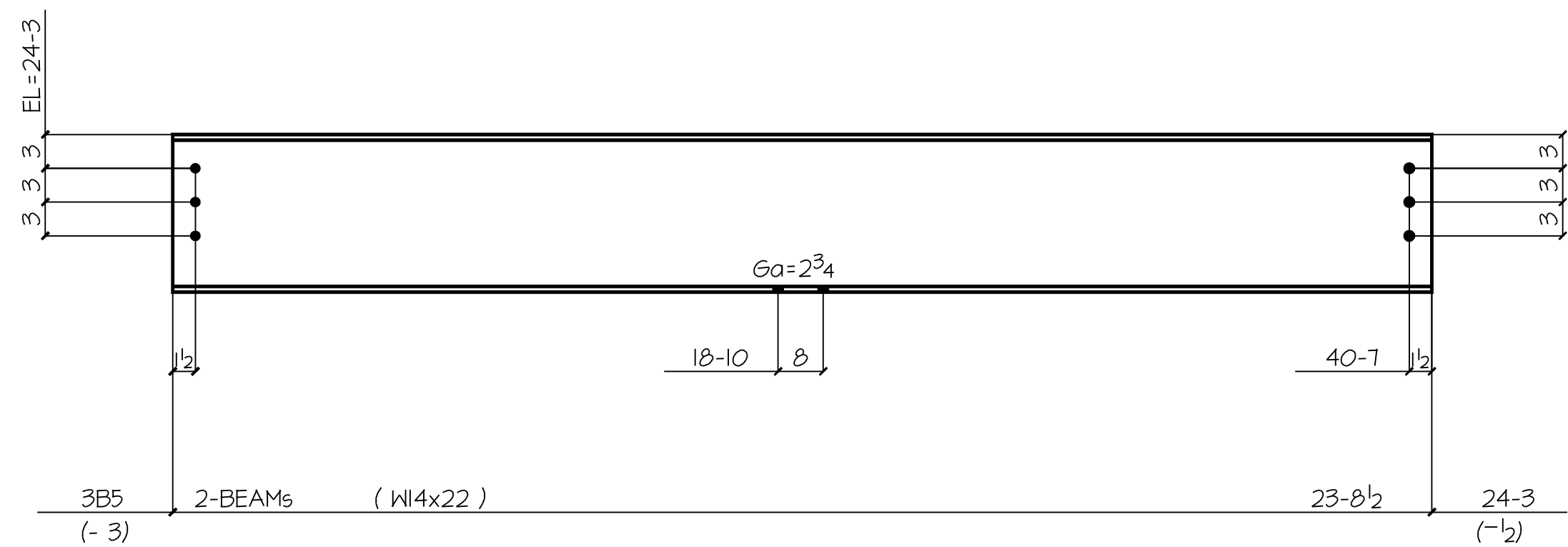
27 Bent PL MK: 3BP2
 Ref 1/4, 9/54.2 @ All Around Roof
 Field Splice Weld As Needed



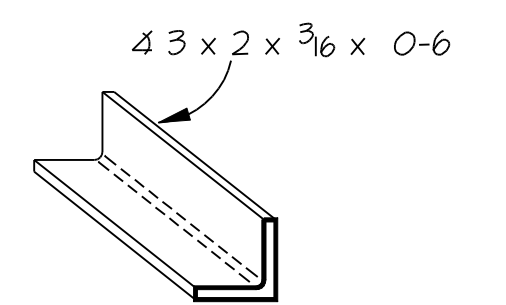
5 Deck Angle MK: 3A1
 Ref 2/54.2 @ Second Floor
 Grid Line A1 & A4



3 Deck Angle MK: 3A2
 Ref 1/54.2 @ Elevator & Stairs
 Grid Line A2, A3 & A5



6 Joist Angle MK: 3A3
 Ref 1/54.3 Beam To Joist
 Grid Line AD-A3 & AD-A6



6 Joist Angle MK: 3A4
 Ref 1/54.3 Beam To Joist
 Grid Line AD-A3 & AD-A6

- DESCRIPTION OF REVISIONS MADE TO DRAWING -

1		
2		
3		
4		

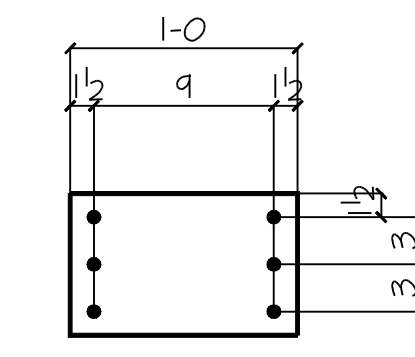
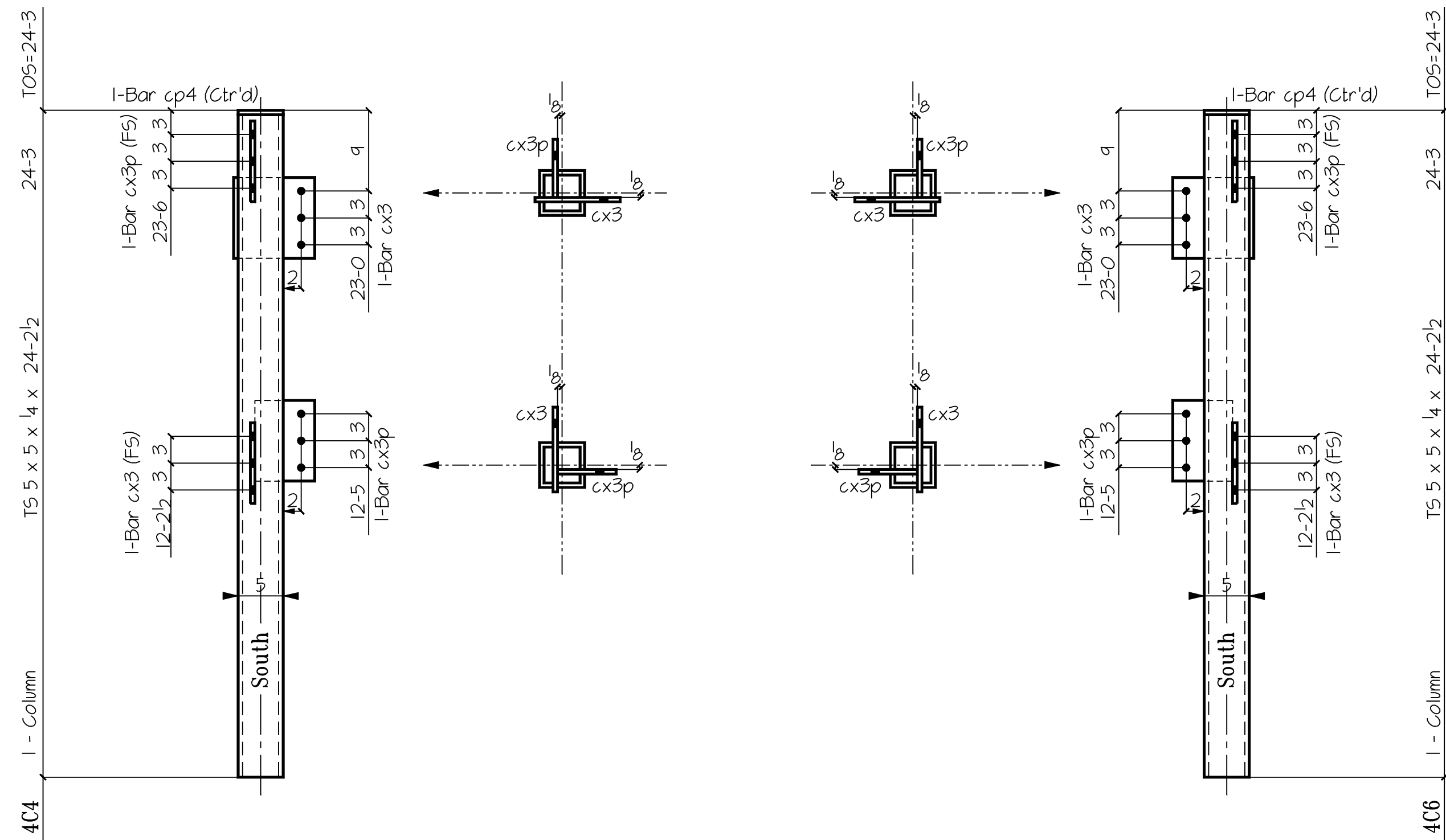
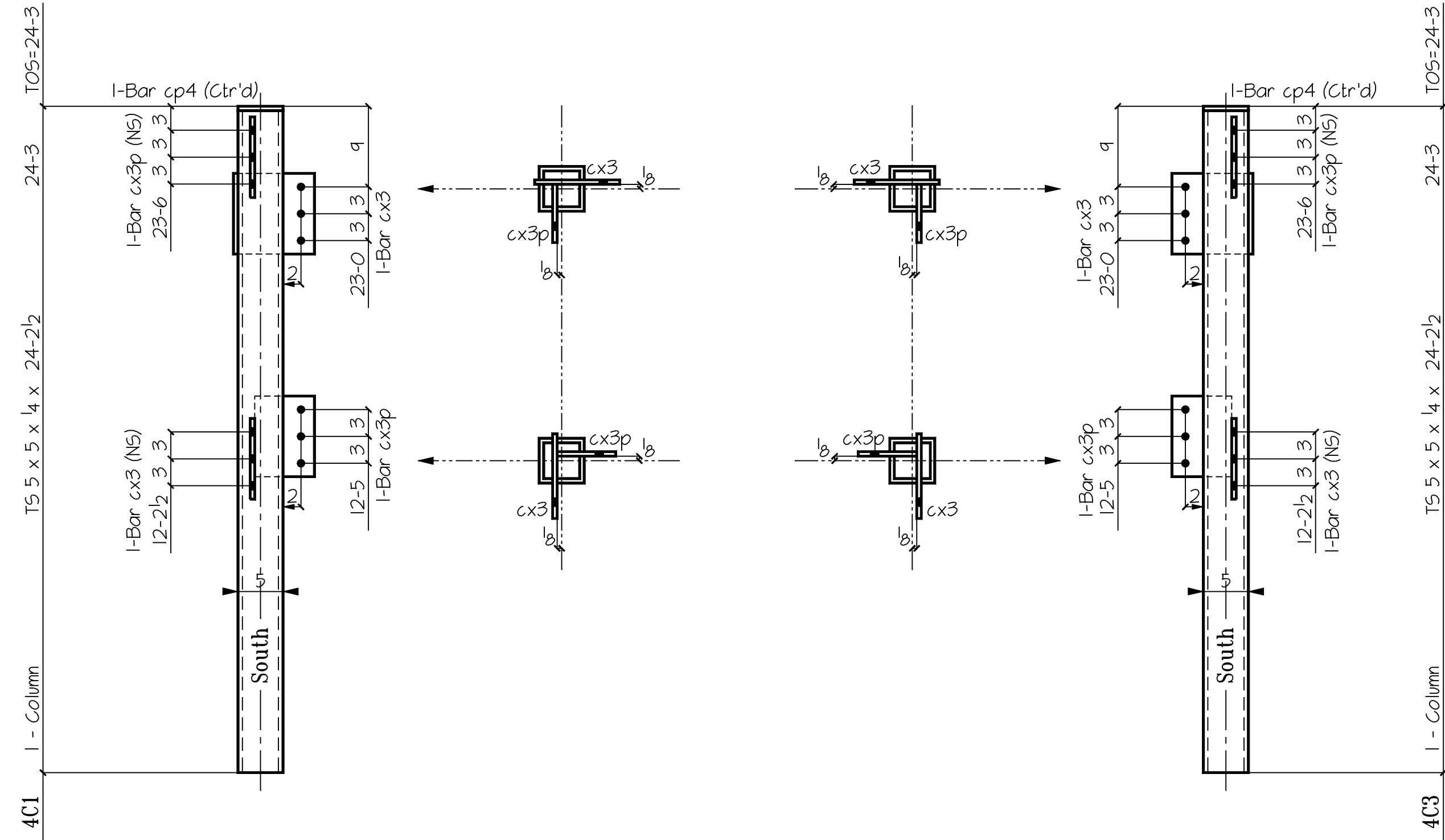
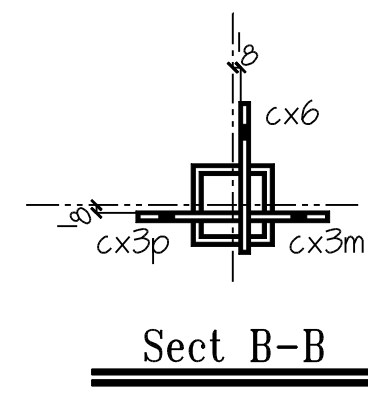
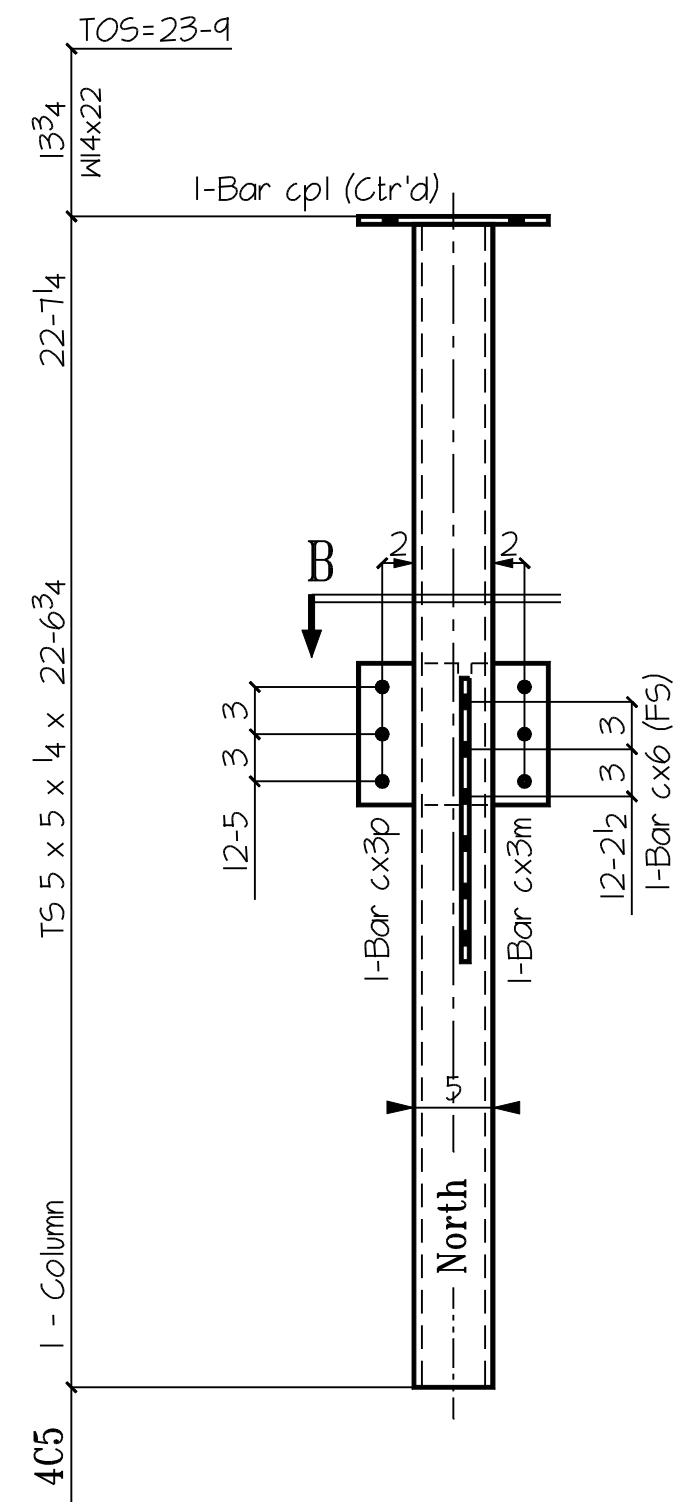
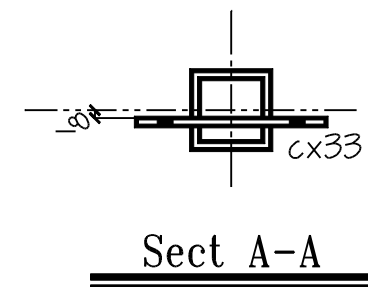
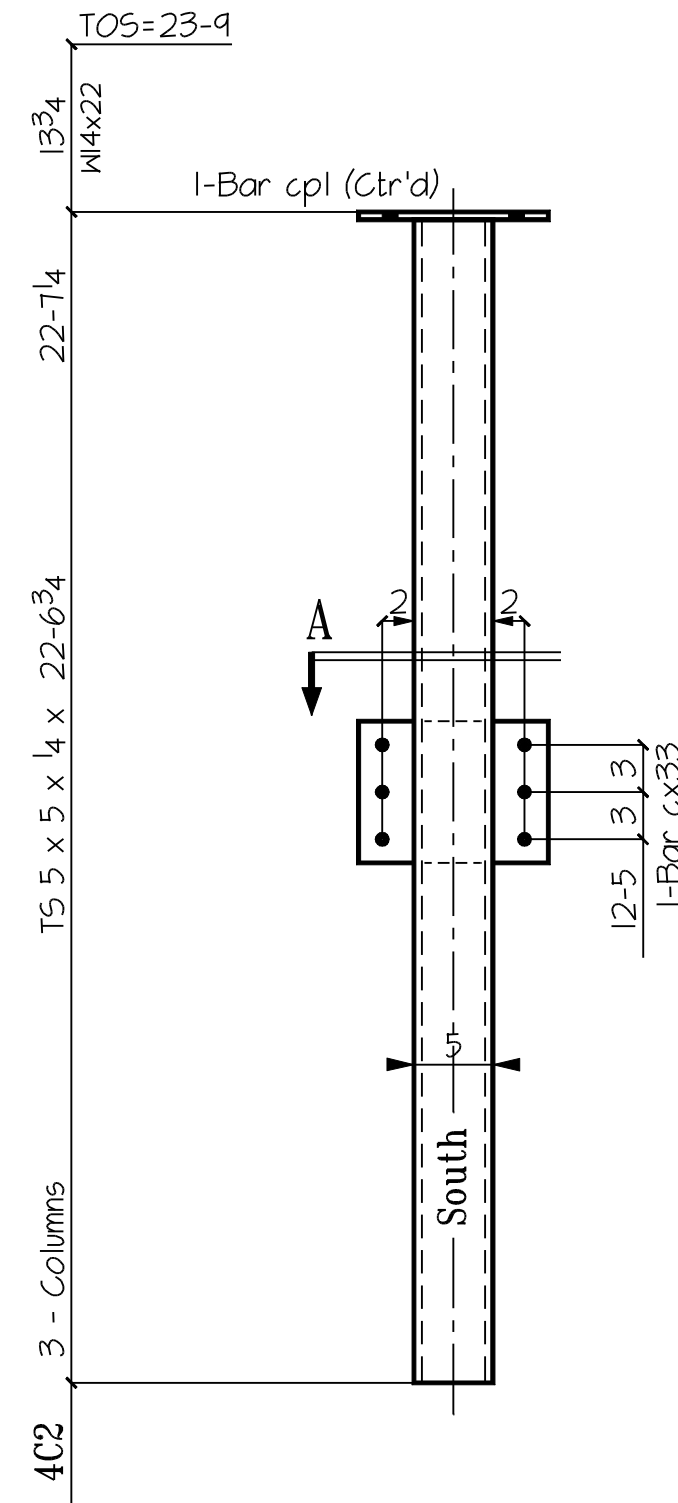
REF DWG. _____

- UNLESS NOTED OTHERWISE -

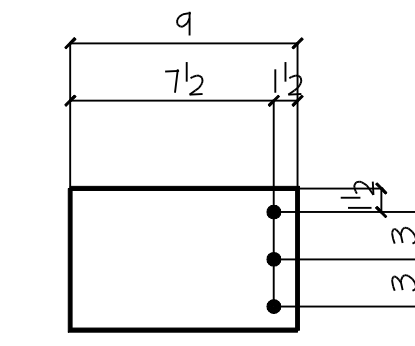
1/4" FILLETS	MATERIAL GRADE SHALL BE A36 U.N.O.
	WF SHAPES A992 TUBES A500
	CHANNELS A572 PIPES A501 or A53
13/16" OPEN HOLE	REF SCHEDULE Item # SF-1 S4.1
	COATING One S/C Red Oxide Primer

AWF
 DETAILS OF Main Steel Beams At Roof
 PROJECT St Francis
 LOCATION
 CUSTOMER
 ARCHITECT
 ENGINEER

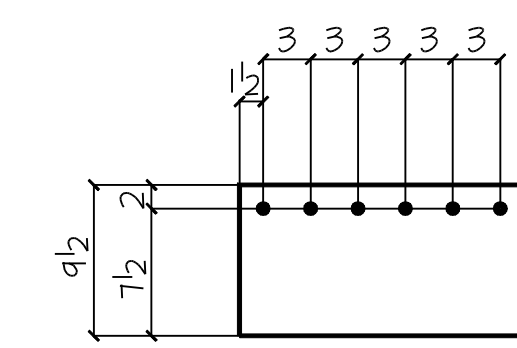
DETAIL DY 3-10-08	SHOP CODE	SHEET #	REV #
CHK.R _____	Francis	D 3	
FN= francis_D1-05.dwg			



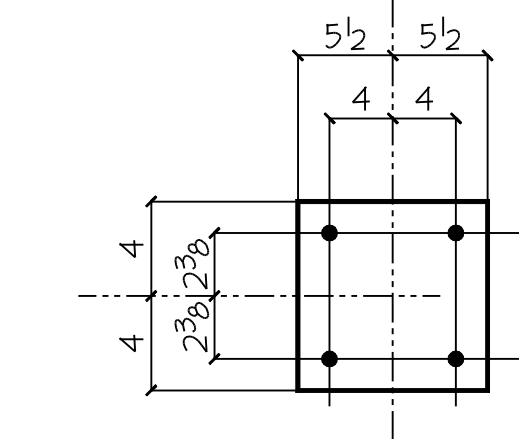
Conx PL cx33
PL 3/8 x 9 x 1-0



Conx PL cx3
PL 3/8 x 9 x 0-9



Conx PL cx6
Bar 3/8 x 9 1/2 x 1-6



Cap PL cp1
PL 1/2 x 8 x 0-11

- DESCRIPTION OF REVISIONS MADE TO DRAWING -

1			
2			
3			
4			
REF DWG. _____			

- UNLESS NOTED OTHERWISE -

1/4" FILLETS	MATERIAL GRADE SHALL BE <u>A36</u> U.N.O.
	WF SHAPES <u>A442</u> TUBES <u>A500</u>
	CHANNELS <u>A572</u> PIPES <u>A501 or A53</u>
13/16" OPEN HOLE	REF SCHEDULE <u>Item # SF-1 S4.1</u>
	COATING <u>One S/C Red Oxide Primer</u>

AWF

DETAILS OF Main Steel Columns

PROJECT St. Francis

LOCATION _____

CUSTOMER _____

ARCHITECT _____

ENGINEER _____

DETAIL DY 3-10-08 SHOP CODE _____ SHEET # _____ REV # _____

CHK. R. _____ **Francis** **D 4**

FN= Francis_DT-05.dwg