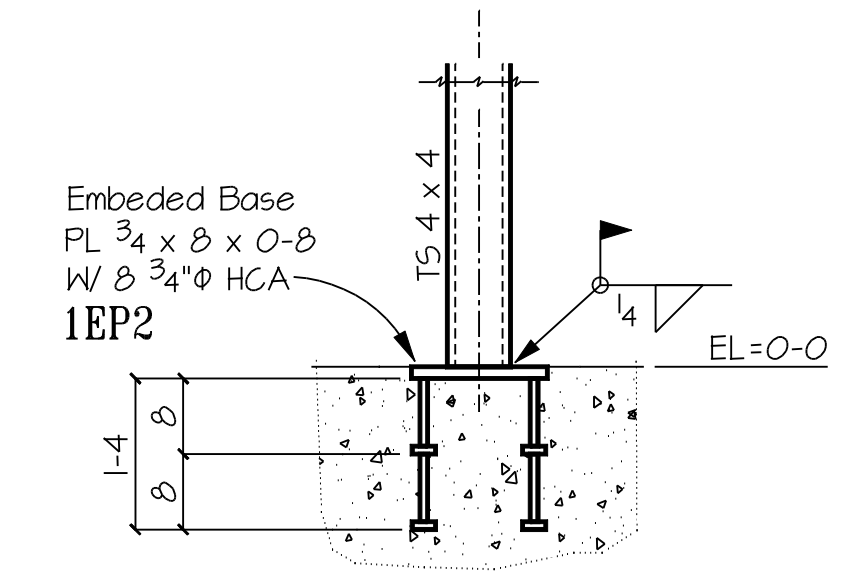
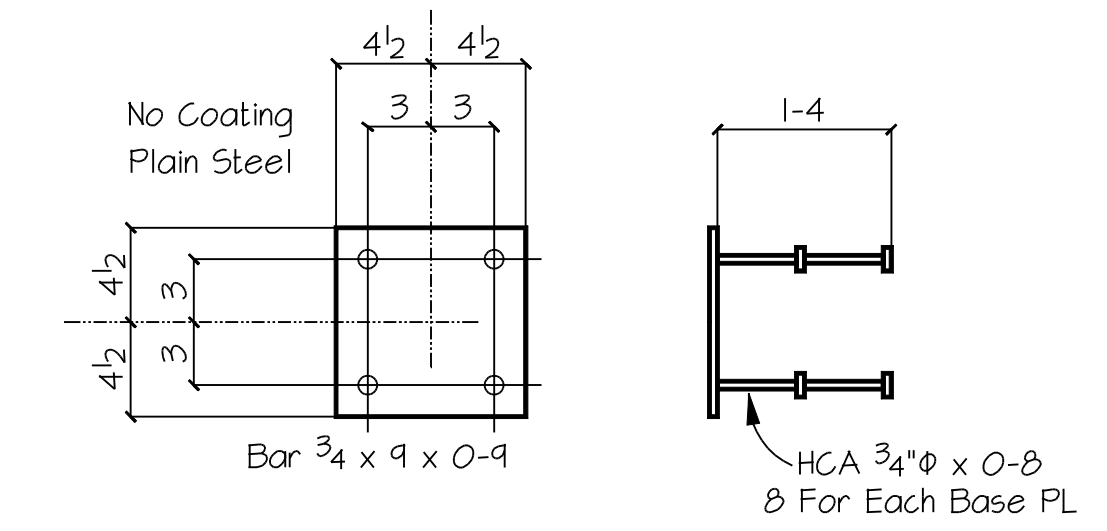


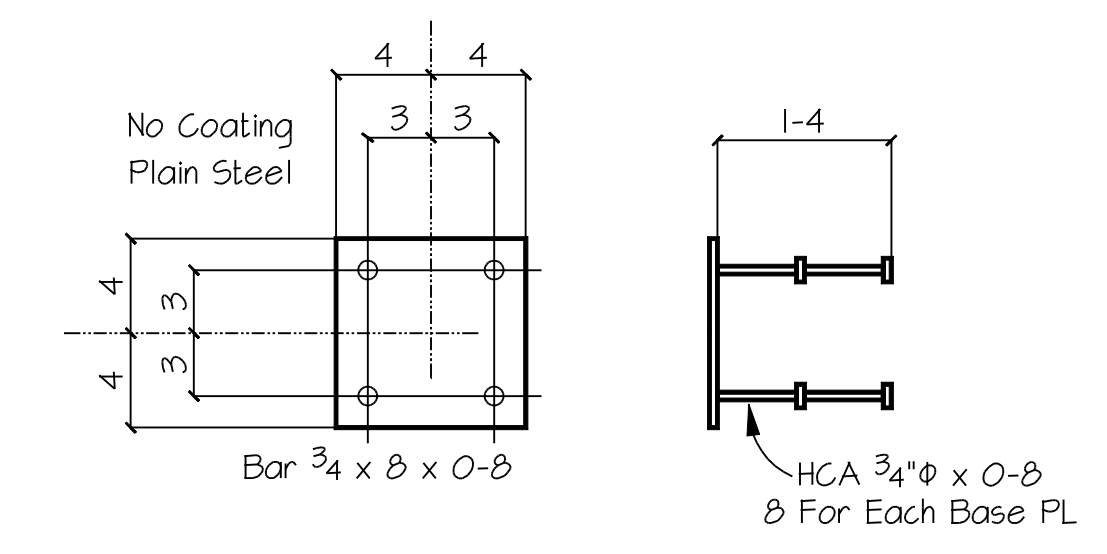
Section At 1EP1
Ref "C1" S4.1



Section At 1EP2
Ref C2 & C4 S4.1



18 Base Plate MK: 1EP1



7 Base Plate MK: 1EP2



- DESCRIPTION OF REVISIONS MADE TO DRAWING -

1			
2			
3			
4			

REF DWG. _____

- UNLESS NOTED OTHERWISE -

1/4" FILLETS	MATERIAL GRADE SHALL BE <u>A36</u> U.N.O.
	WF SHAPES <u>A992</u> TUBES <u>A500</u>
	CHANNELS <u>A572</u> PIPES <u>A501 or A53</u>
13/16" OPEN HOLE	REF SCHEDULE <u>Item # SF-1 S4.1</u>
	COATING <u>One SIC Red Oxide Primer</u>

AWF

DETAILS OF Embed Plan

PROJECT St. Francis

LOCATION _____

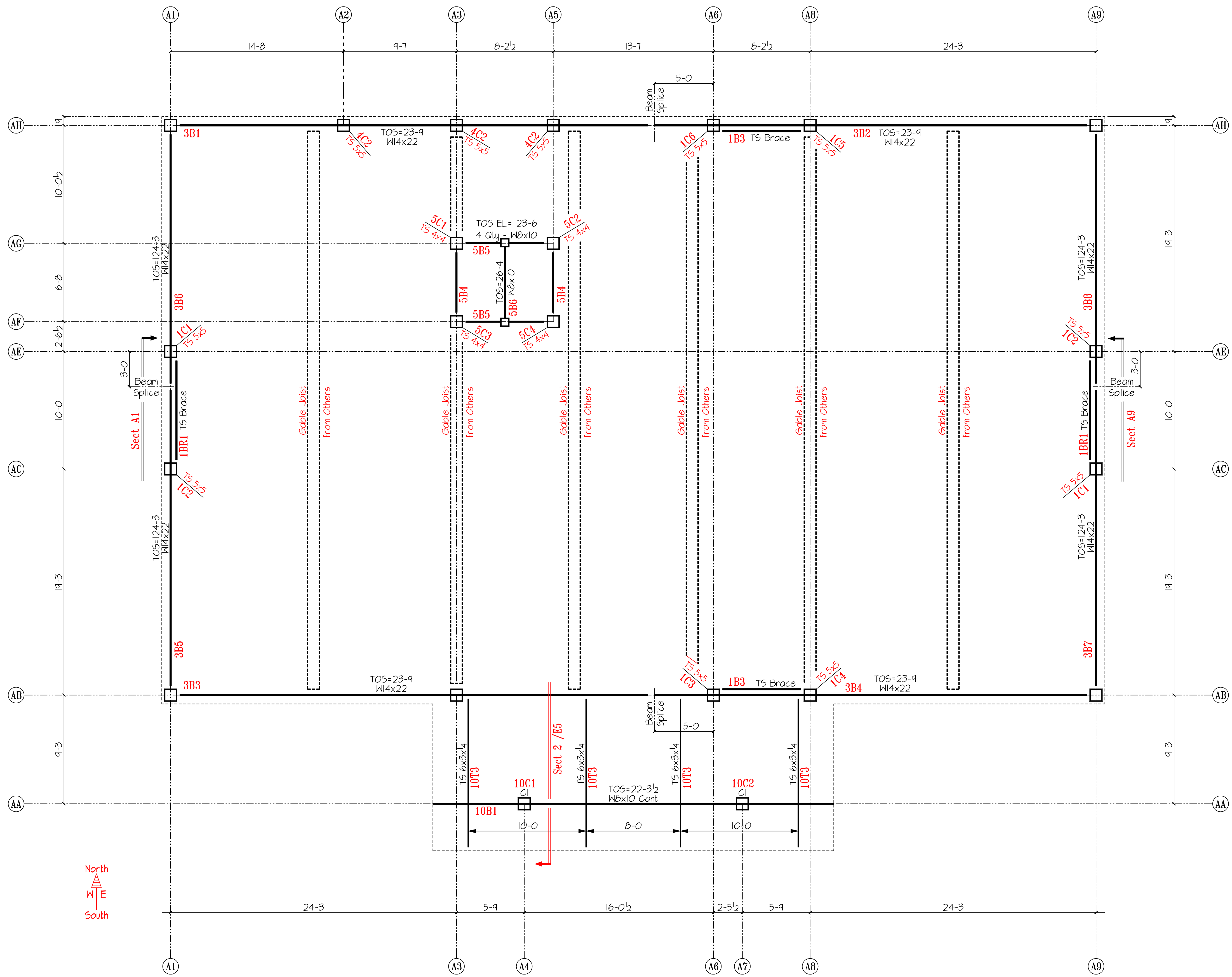
CUSTOMER _____

ARCHITECT _____

ENGINEER _____

DETAIL <u>DY</u>	<u>3-5-08</u>	SHOP CODE	SHEET #	REV #
CHK. R. <u>Francis</u>	<u>E 1</u>			

FN= Francis_EI-E5.dwg



- DESCRIPTION OF REVISIONS MADE TO DRAWING -

1	
2	
3	
4	
REF DWG. _____	

- UNLESS NOTED OTHERWISE -

1/4" FILLETS	MATERIAL GRADE SHELL BE <u>A36</u> U.N.O.
	WF SHAPES <u>A992</u> TUBES <u>A500</u>
	CHANNELS <u>A572</u> PIPES <u>A501 or A53</u>
13/16" OPEN HOLE	REF SCHEDULE <u>Item # SF-1 S4.1</u>
	COATING <u>One S/C Red Oxide Primer</u>

AWF

DETAILS OF Embed Plan

PROJECT St Francis

LOCATION _____

CUSTOMER _____

ARCHITECT _____

ENGINEER _____

DETAIL <u>DY</u>	<u>3-5-08</u>	SHOP CODE	SHEET #	REV #
CHK. R. _____	Francis	E 3		

FN= Francis_EI-E5.dwg