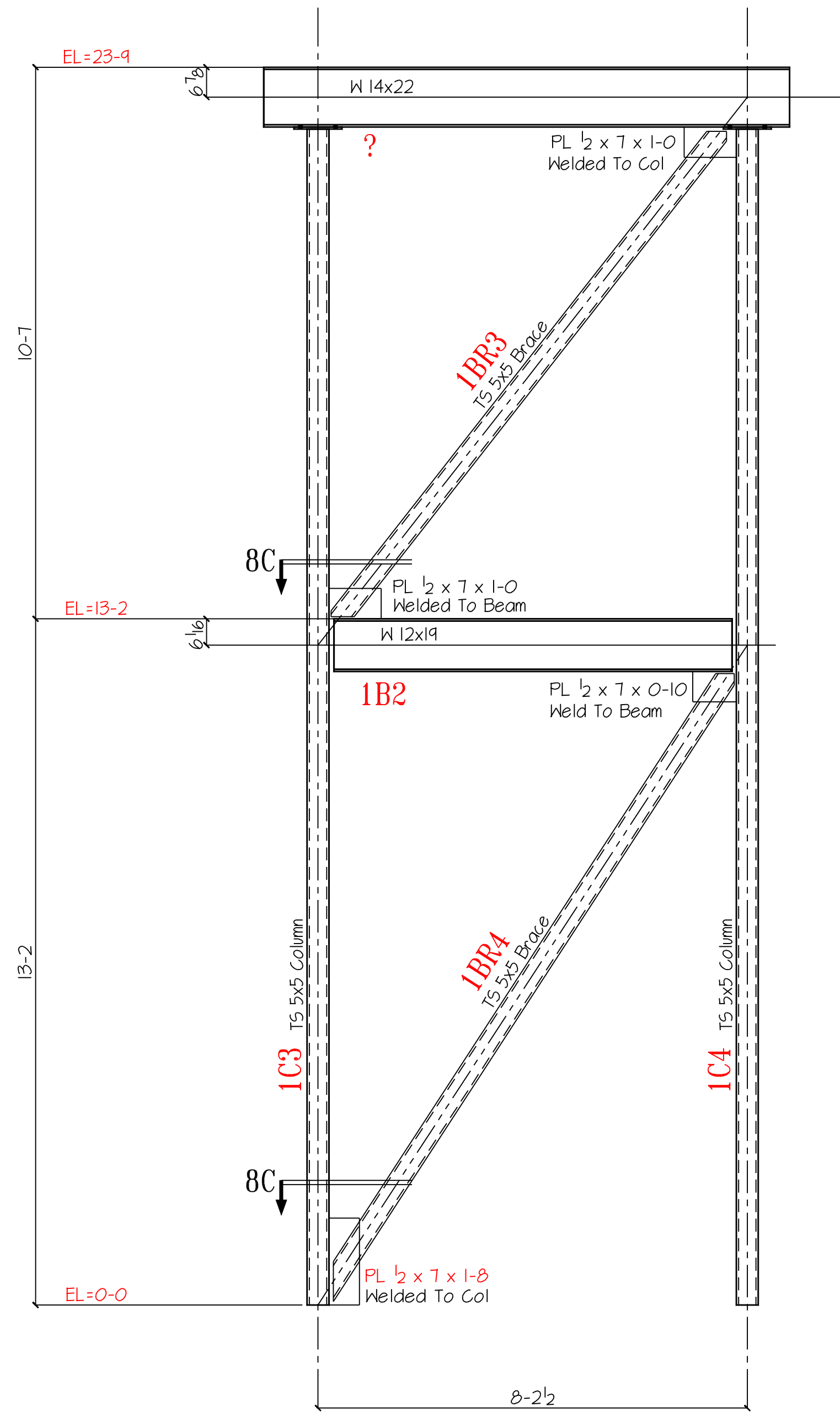
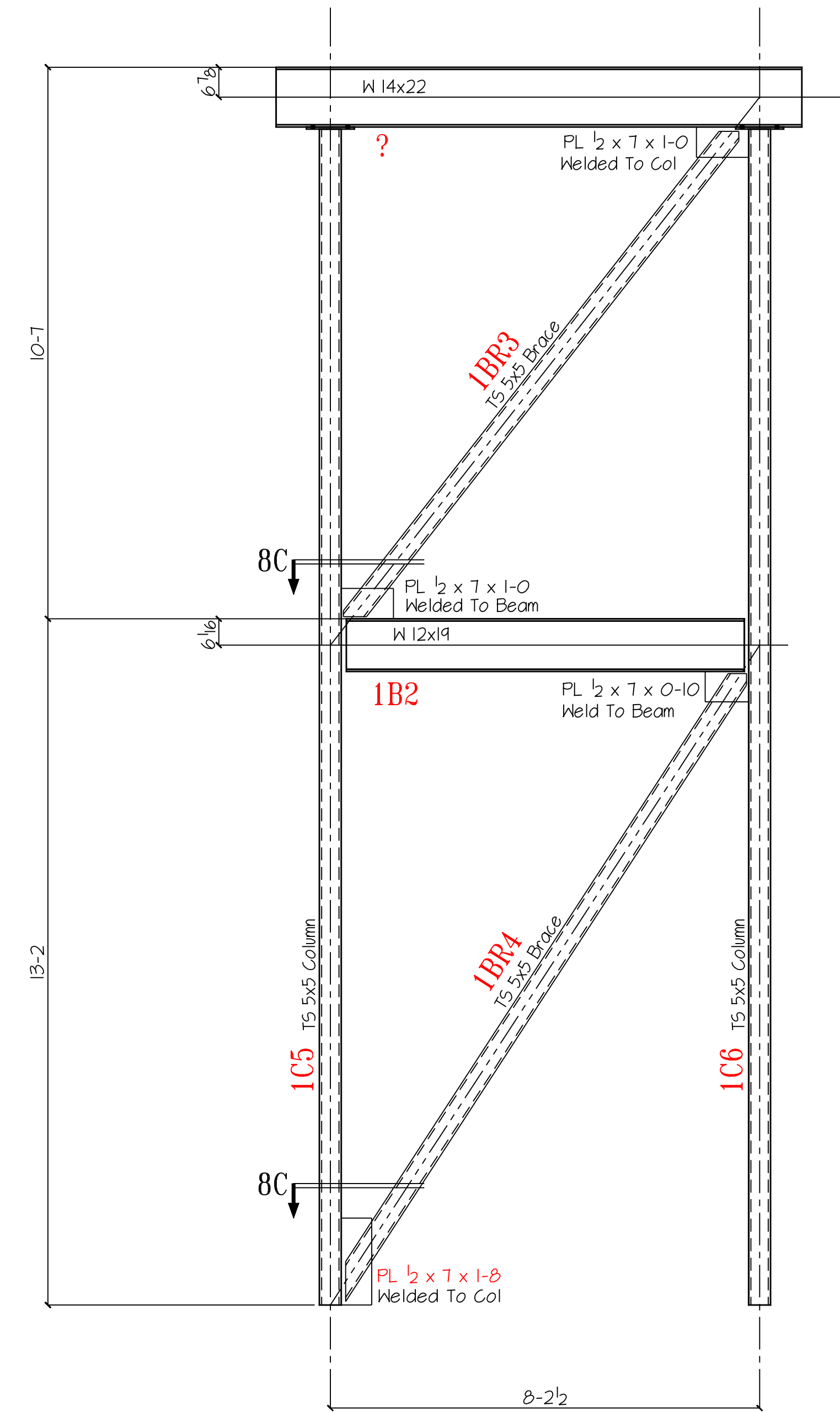


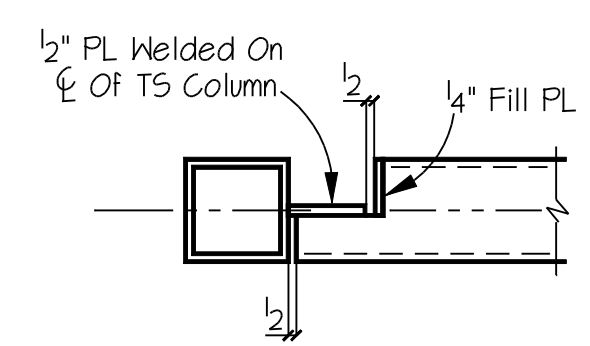
Section A1 & A9
 Along Grid Line A1, AC~AE
 Along Grid Line A9, AC~AE
 Ref 8/54.3



Section AB
 Along Grid Line AB, A6~A8
 Ref 8/54.3



Section AH
 Along Grid Line AH, A6~A8
 Ref 8/54.3



Section "8C"
 Ref 8/54.3 "8c"

- DESCRIPTION OF REVISIONS MADE TO DRAWING -

1			
2			
3			
4			

REF DWG. _____

- UNLESS NOTED OTHERWISE -

1/4" FILLETS	MATERIAL GRADE SHELL BE A36 U.N.O.
	WF SHAPES A992 TUBES A500
	CHANNELS A572 PIPES A501 or A53
13/16" OPEN HOLE	REF SCHEDULE Item # SF-1 S4.1
	COATING One S/C Red Oxide Primer

AWF

DETAILS OF Embed Plan

PROJECT St. Francis

LOCATION _____

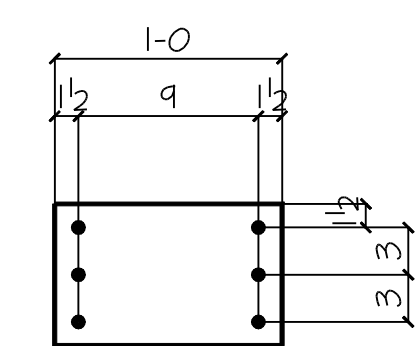
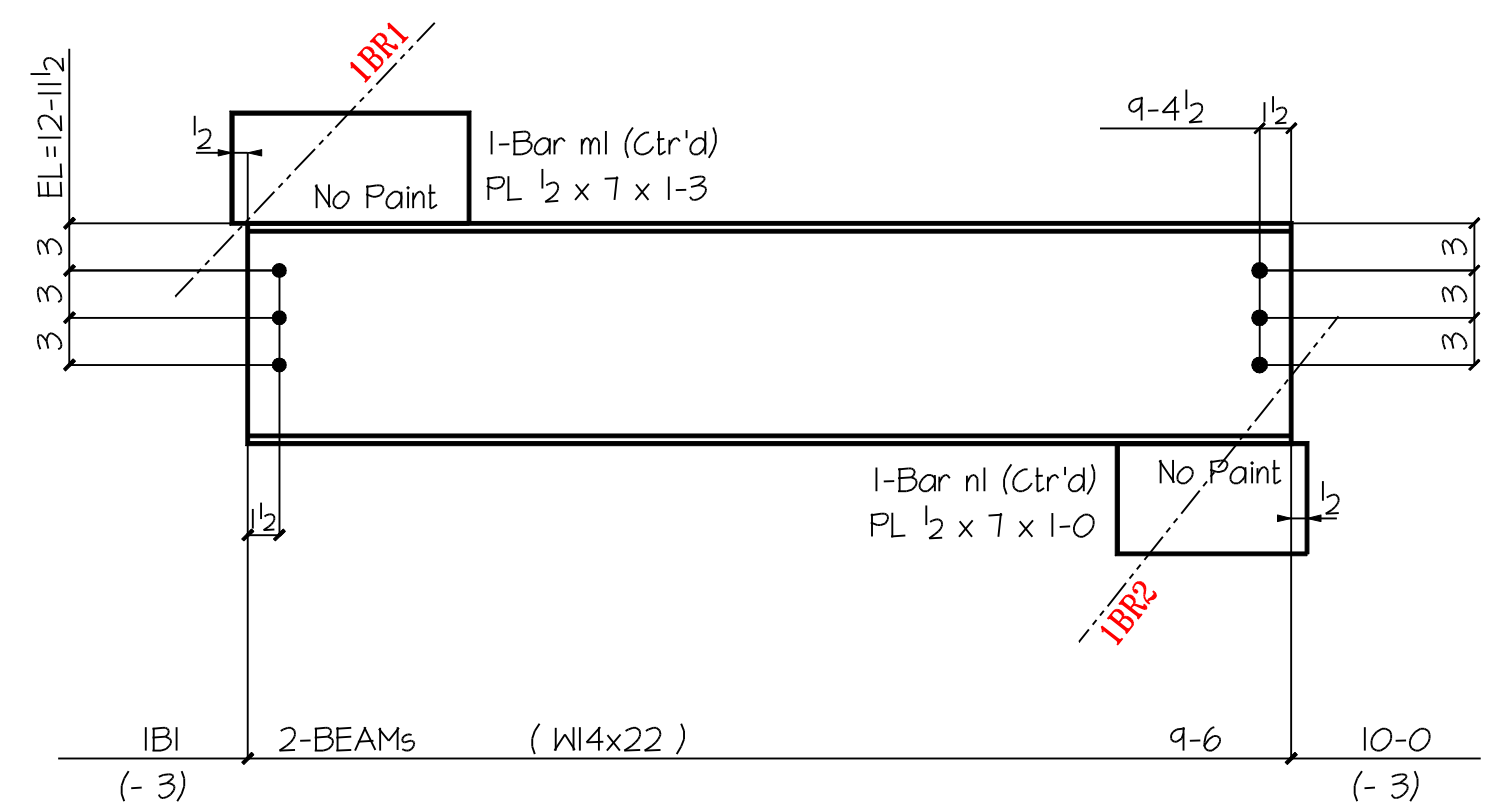
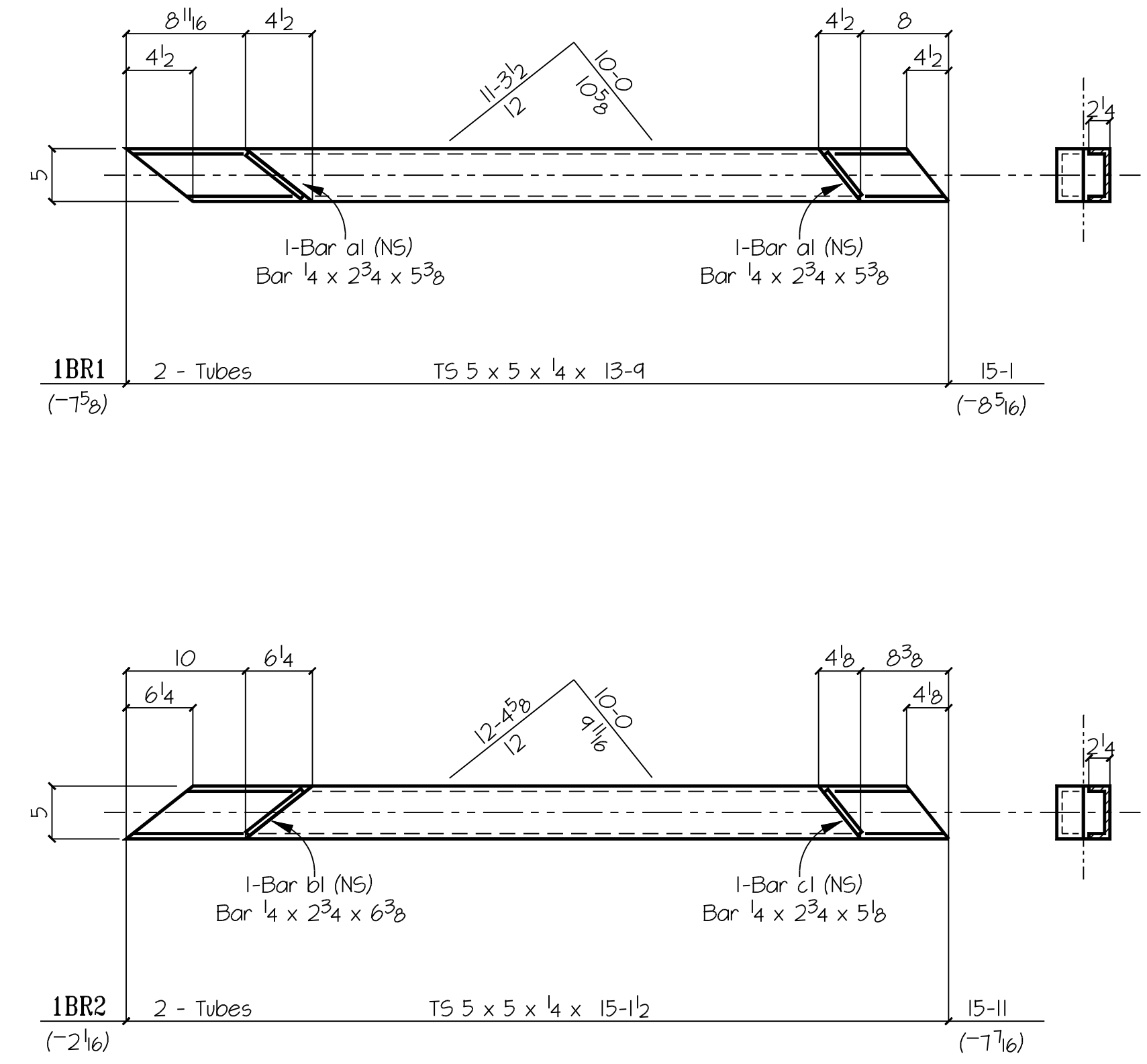
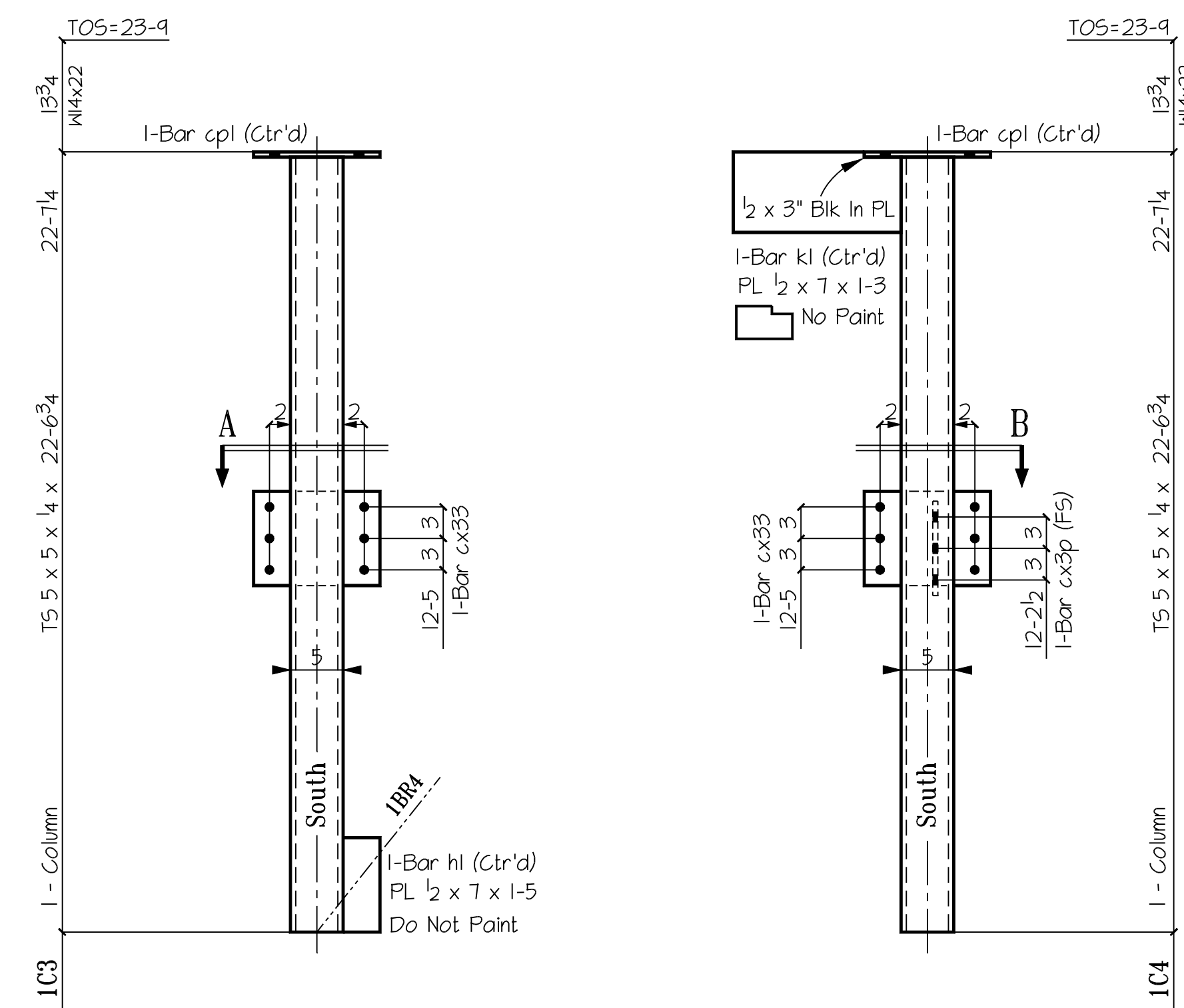
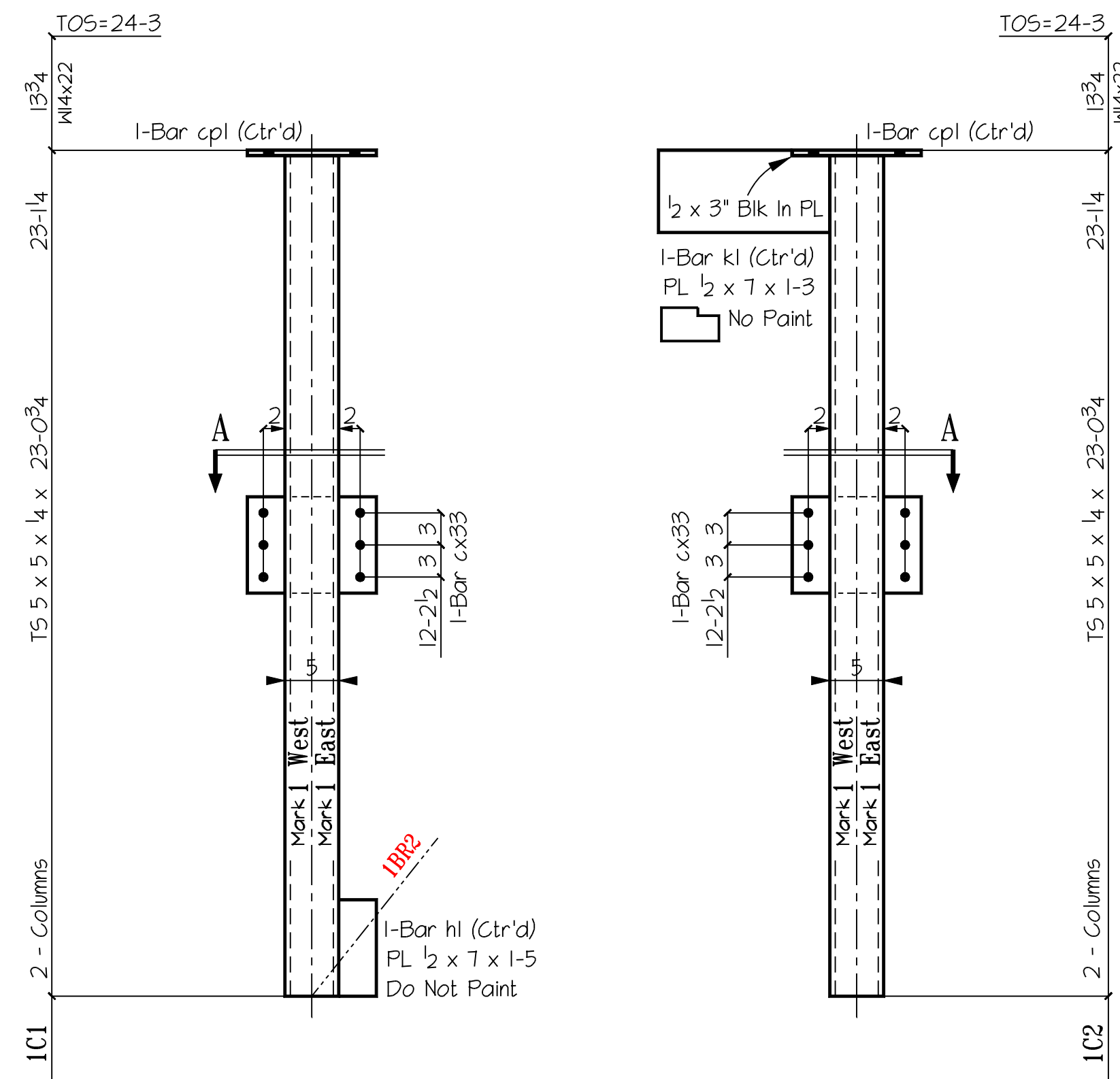
CUSTOMER _____

ARCHITECT _____

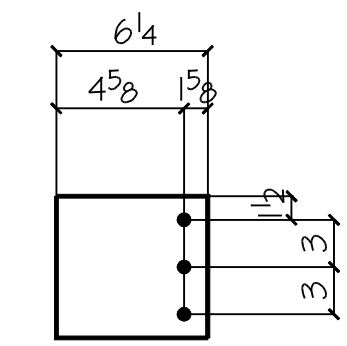
ENGINEER _____

DETAIL <u>DY</u>	<u>3-5-08</u>	SHOP CODE	SHEET #	REV #
CHK.R	<u>Francis</u>	<u>E 4</u>		

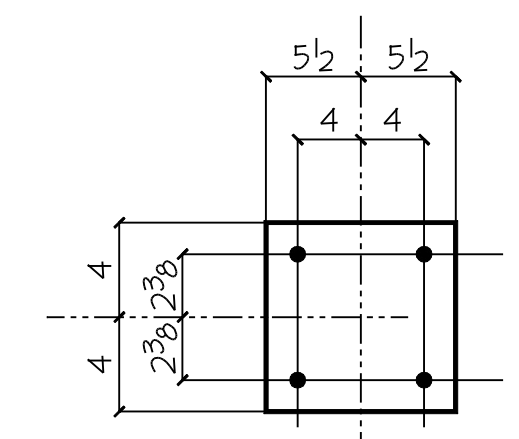
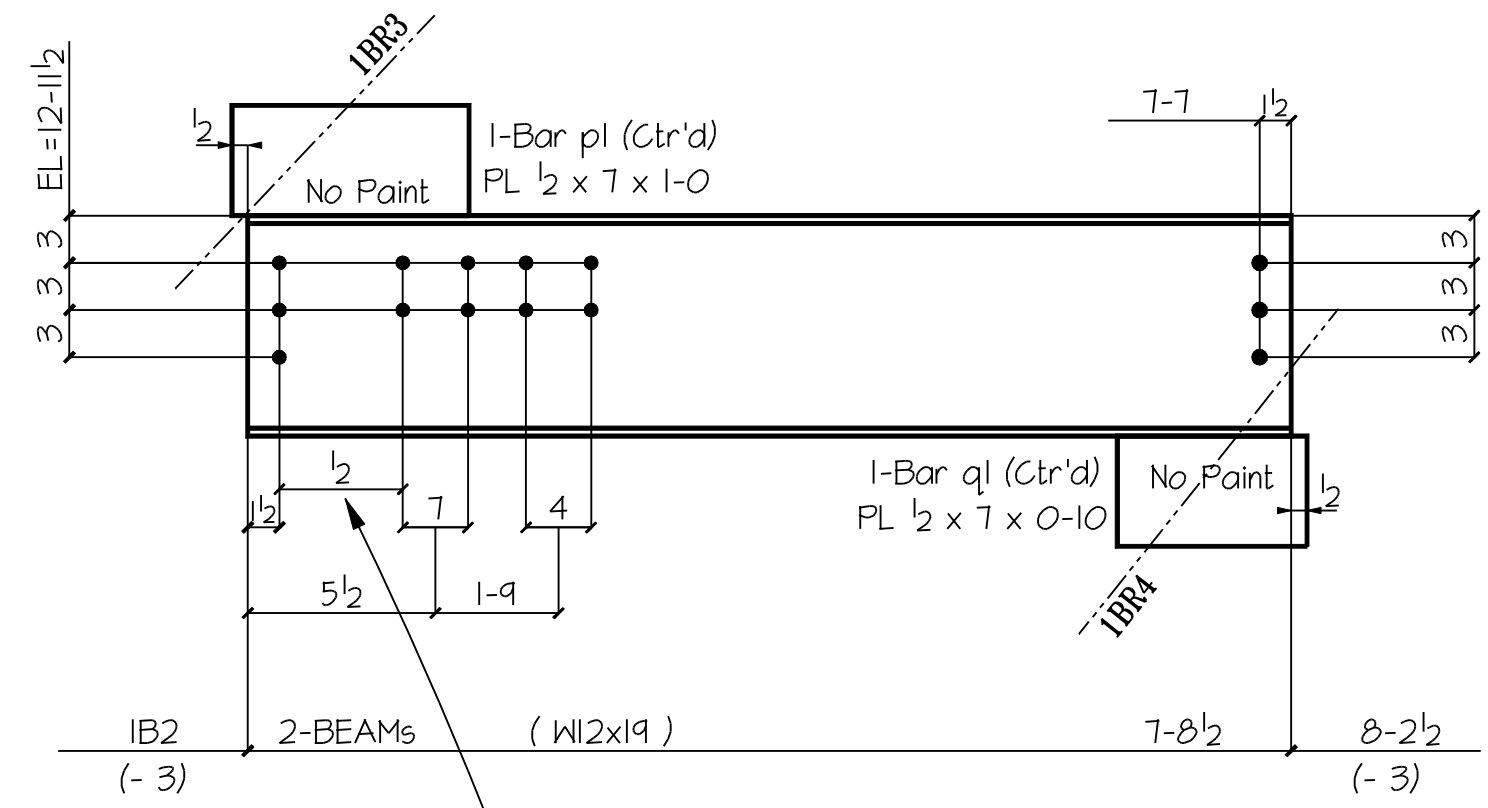
FN= Francis_EI-E5.dwg



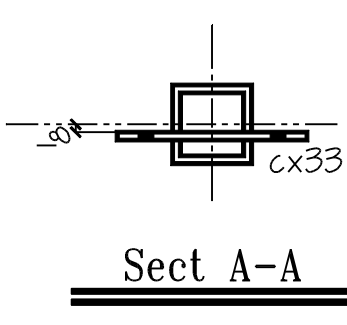
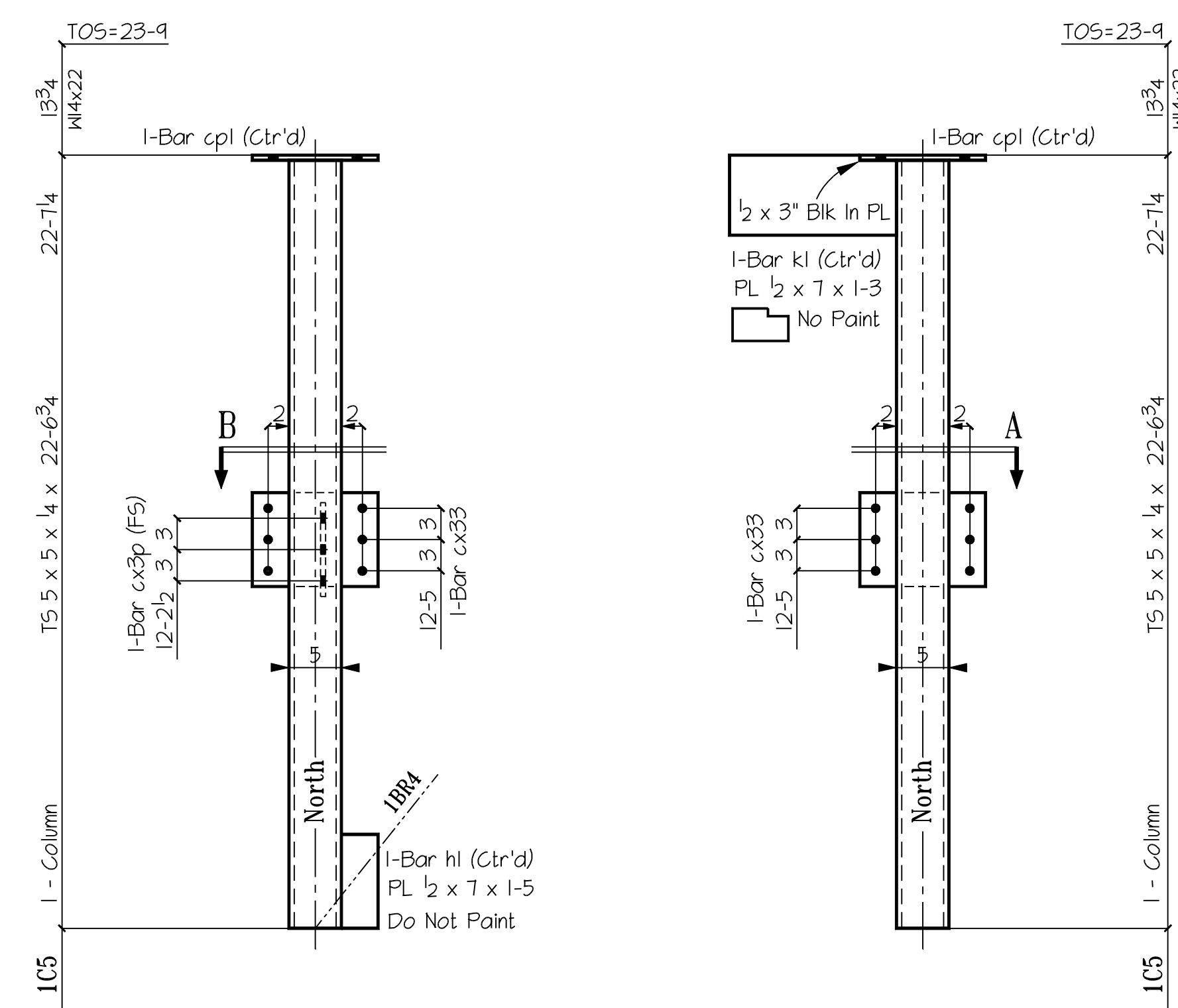
Conx PL cx33
PL 3/8 x 9 x 1-0



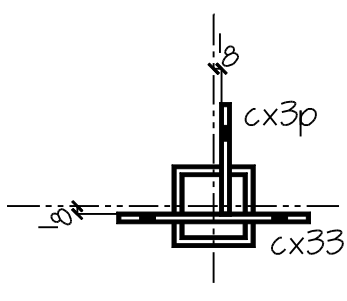
Conx PL cx3p
PL 3/8 x 6/4 x 0-9



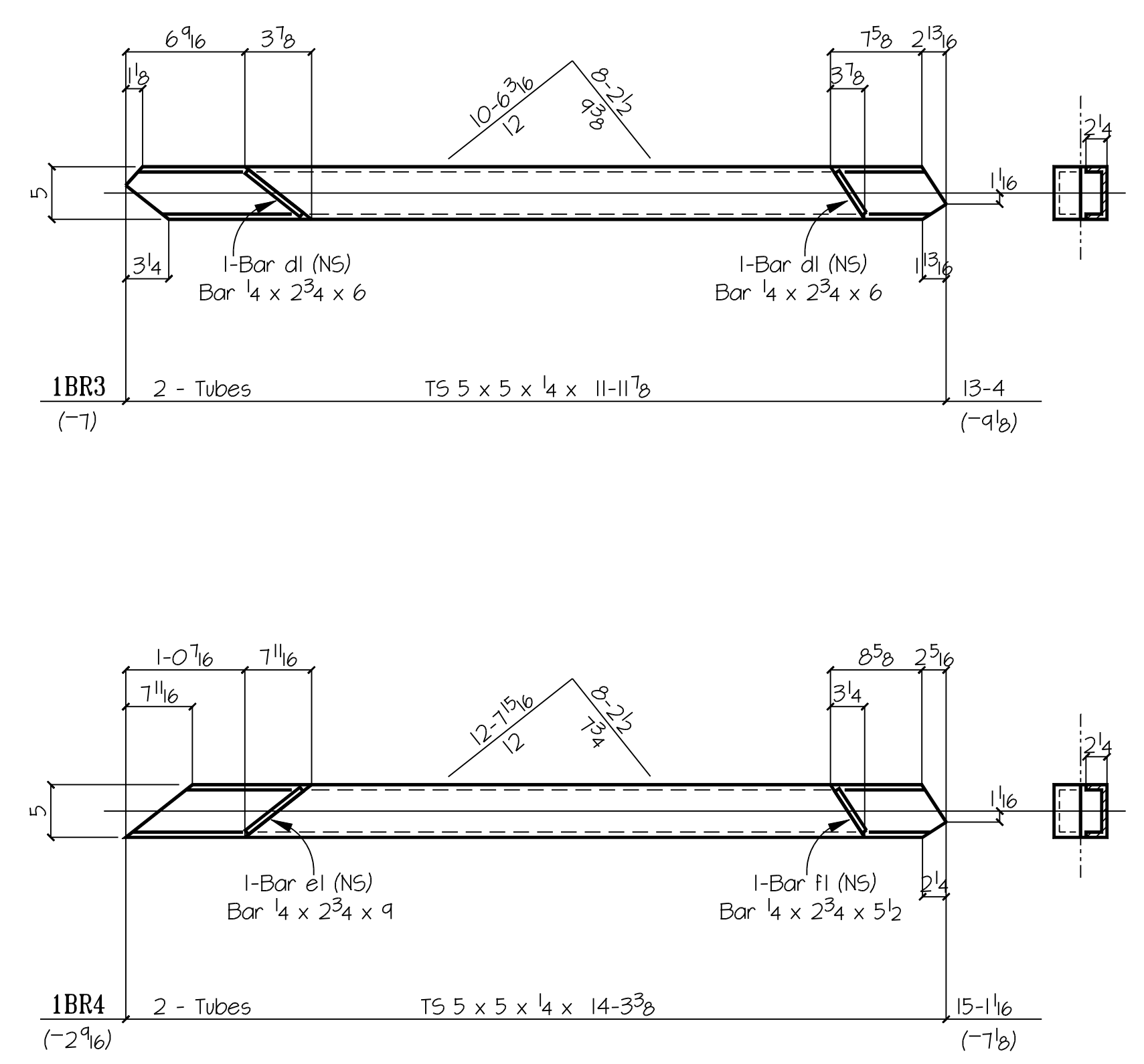
Cap PL cp1
PL 1/2 x 8 x 0-11



Section A-A



Section B-B



Approval To Provide A Fix

- UNLESS NOTED OTHERWISE -		AWF	
DETAILS OF Bracing & Columns			
PROJECT St. Francis			
LOCATION			
CUSTOMER			
ARCHITECT			
ENGINEER			
1/4" FILLETS		MATERIAL GRADE SHELL BE A36 U.N.O.	
13/16" OPEN HOLE		WF SHAPES A442 TUBES A500	
		CHANNELS A572 PIPEs A501 or A53	
		REF SCHEDULE Item # SF-1 S4.1	
		COATING One S/C Red Oxide Primer	
DETAIL DY	3-5-08	SHOP CODE	SHEET # D 1
CHK.R	Francis		REV #
FN= Francis_DT-05.dwg			