

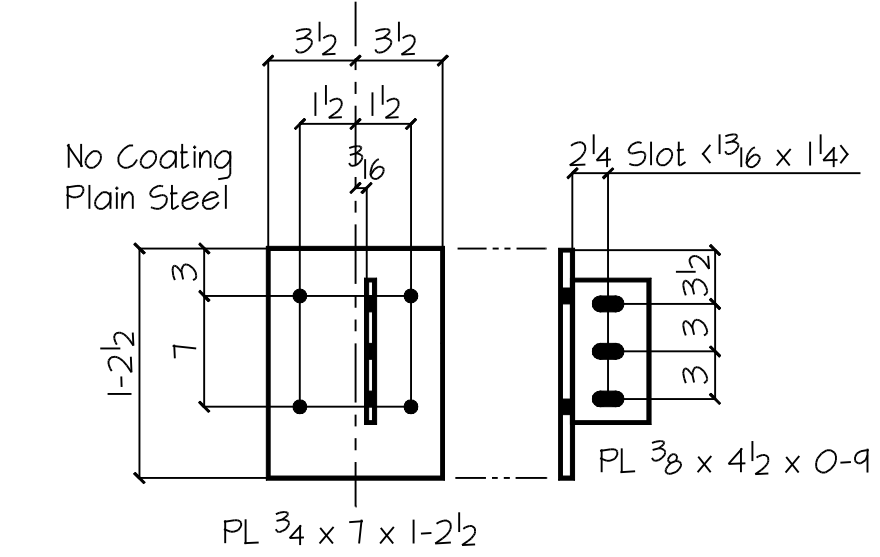
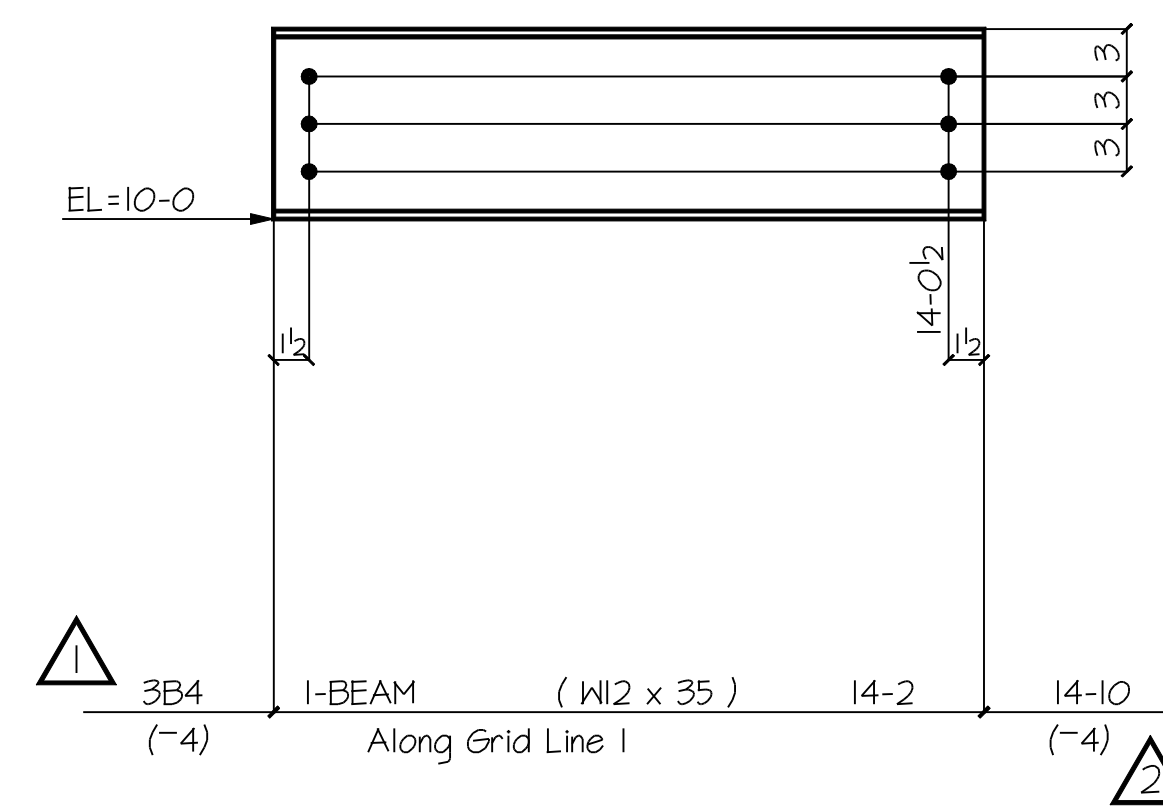
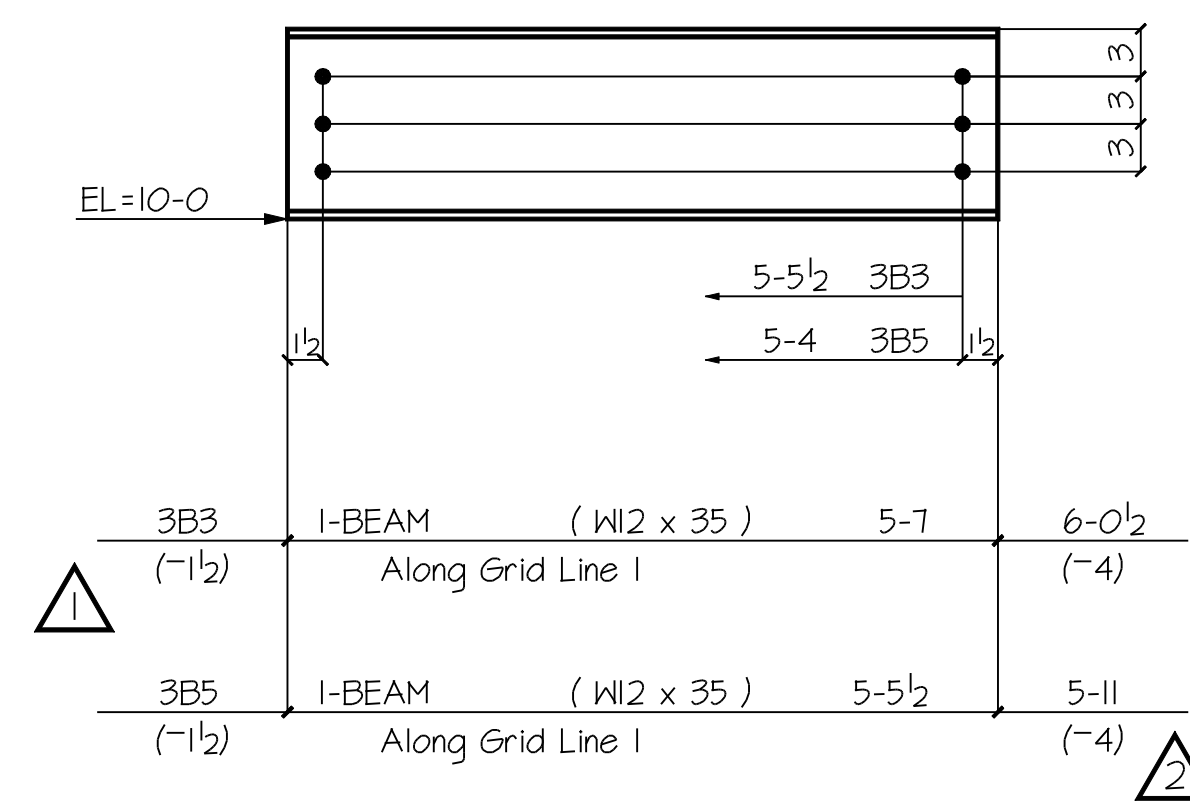
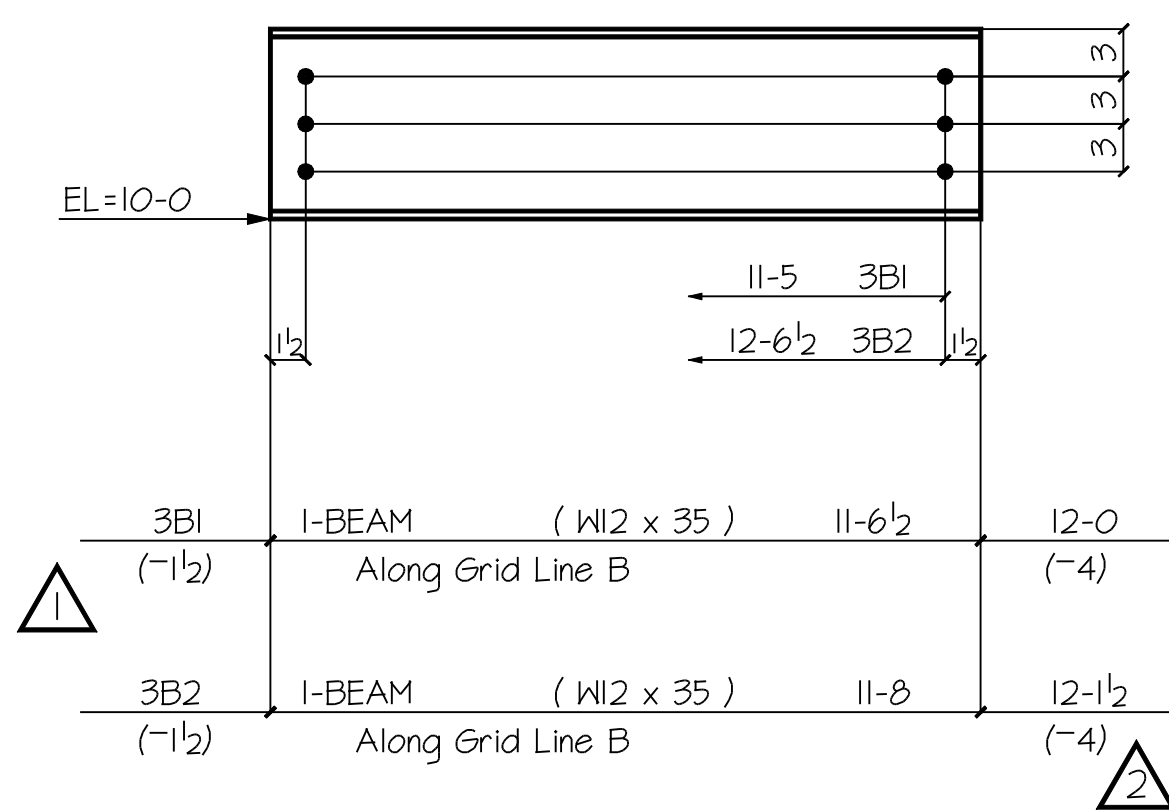
54 Embedded PL's MK: 3PL-A
 13 Along Grid Line 1.0 J55
 13 Along Grid Line 3.6 G55
 14 Along Grid Line A Sect K55
 14 Along Grid Line E.3 Sect E55
 Ref Plate Size 25/51

10 Base PL's MK: 3PL-B
 2 Grid Line 3-F & 3-G As Column Base PL B53
 2 Grid Line 1-C & 1-E As Column Base PL B53
 1 At Grid Line 2-B As Column Base PL B53
 5 Along Grid Line 4 As Embedded PL C55
 Ref Plate Size 25/51

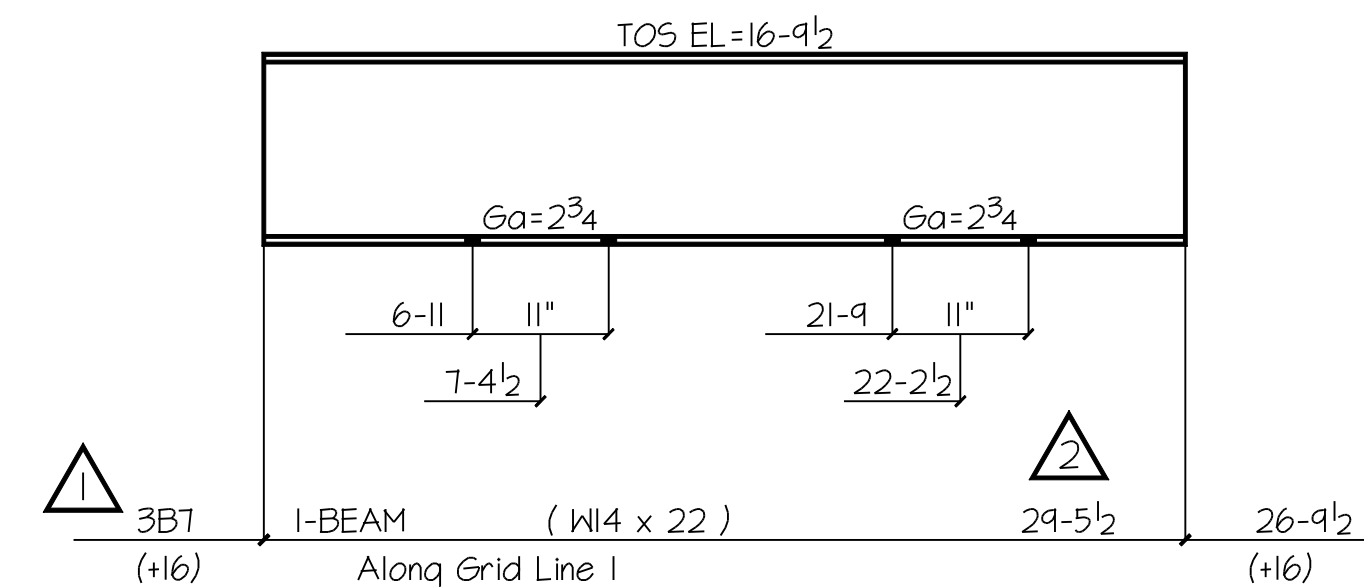
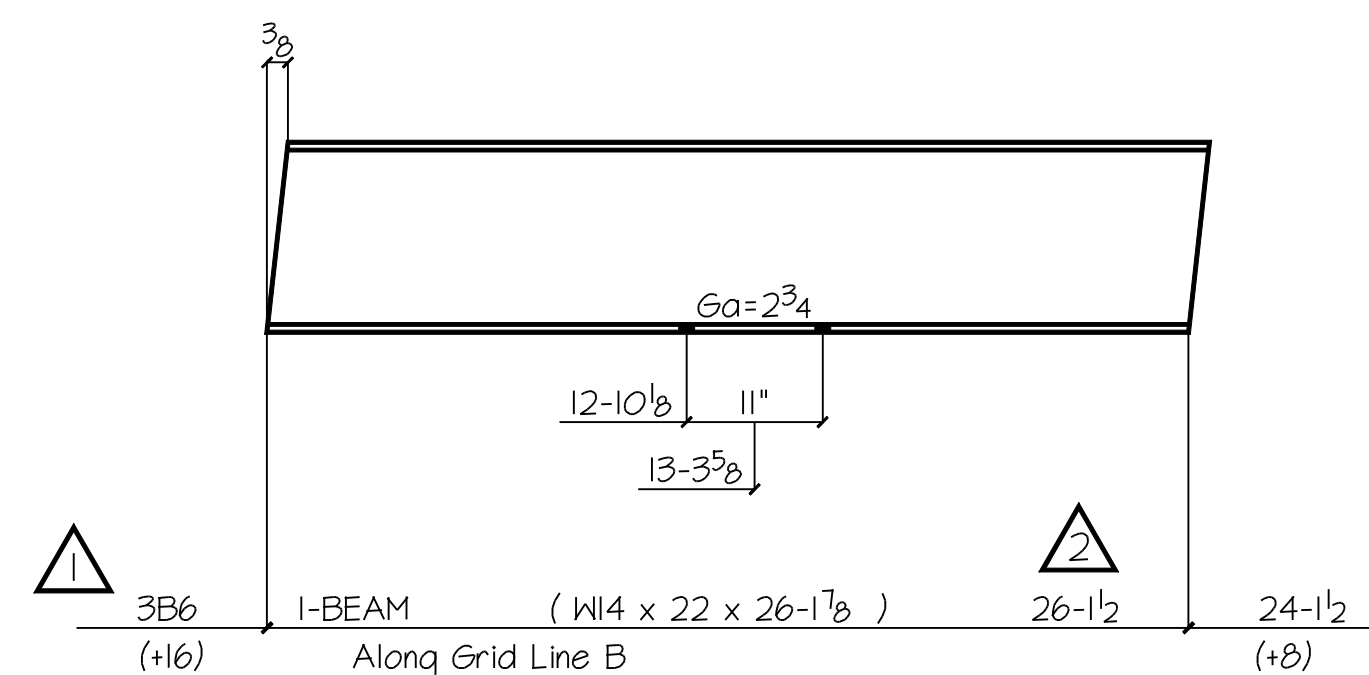
16 Bollards MK: 3PB1
 8 Along Grid Line 1
 8 Along Grid Line 3.6
 Ref A201 & 3C/A103

4 Embedded PL's MK: 3PL-R3
 3.6-H & 3.8-B
 E.3-3.6 & E.3-3.8

3 Embedded PL's MK: 3PL-R4
 H-3
 E.3-3
 1.4-E.3



4 Surface PL's MK: 3SP1
 2 - Along Grid Line B
 2 - Along Grid Line 1



| - BILL OF MATERIAL - | | | | |
|----------------------|-----|-------------------------|--------|--------------|
| MARK | QTY | DESCRIPTION | LENGTH | REMARKS |
| 3ABI | 30 | 3/4 HCA | 1-0 | Bent |
| 3AI | 2 | L 4 x 4 x 5/16 | 18-2 | |
| 3A2 | 2 | L 4 x 4 x 5/16 | 15-10 | |
| 3A3 | 10 | L 4 x 4 x 5/16 | 0-6 | |
| 3PL-A | 26 | Bar 1/2 x 7 | 0-7 | |
| a3 | 52 | 3/4 HCA | 0-6 | |
| 3PL-B | 10 | Bar 3/4 x 10 | 0-10 | |
| a3 | 40 | 3/4 HCA | 0-6 | |
| 3PL-C | 13 | Bar 1 x 7 | 0-7 | |
| a3 | 26 | 3/4 HCA | 0-6 | |
| 3PB1 | 16 | 4" STD Pipe | 6-0 | |
| b3 | 64 | 3/4 HCA | 0-3 | |
| Plan Mat'l | | | | |
| 3PM1 | 5 | L 4 x 4 x 5/16 | 20-0 | Top Ang C-55 |
| 3PM2 | 4 | TS 2 1/2 x 2 1/2 x 3/16 | 20-0 | Sect E-55 |
| 3PM3 | 3 | L 3 x 3 x 1/4 | 20-0 | Notes C/54 * |
| 3PM4 | 3 | L 3 x 3 x 1/4 | 20-0 | Sect J-55 |
| 3PM5 | 3 | L 4 x 4 x 5/16 | 20-0 | Sect F-55 |
| 3PM6 | 8 | L 4 x 4 x 5/16 | 20-0 | Sect A/F-55 |

| - DESCRIPTION OF REVISIONS MADE TO DRAWING - | |
|--|---------------------------------|
| 3 | Fix Per ANF Mark Ups MS 1-23-08 |
| 2 | Fix Per ANF Mark Ups MS 1-23-08 |
| 1 | Fix Per Apv Mark Ups DY 1-16-08 |

| - UNLESS NOTED OTHERWISE - | |
|----------------------------|------------------------------------|
| 1/4" FILLETS | MATERIAL GRADE SHALL BE A36 U.N.O. |
| 13/16" OPEN HOLE | WF SHAPES A572 TUBES A500 |
| | CHANNELS A572 PIPES A501 or A53 |
| | COATING One S/C Red Oxide Primer |

| AWF | | | |
|----------------------------|------------------------|-----------|-----|
| DETAILS OF Embeds & Angles | | | |
| PROJECT | Eddie Yakin Quick Lane | | |
| LOCATION | 2501 Hwy 77 Kingsville | | |
| CUSTOMER | ? | | |
| ARCHITECT | ? | | |
| ENGINEER | ? | | |
| DETAIL DY | 11-08-07 | SHOP CODE | |
| CHK.R MS | 1-23-08 | SHEET # | D 3 |
| REF DWG | S3 S4 S5 & EI E2 | REV # | 2 |

