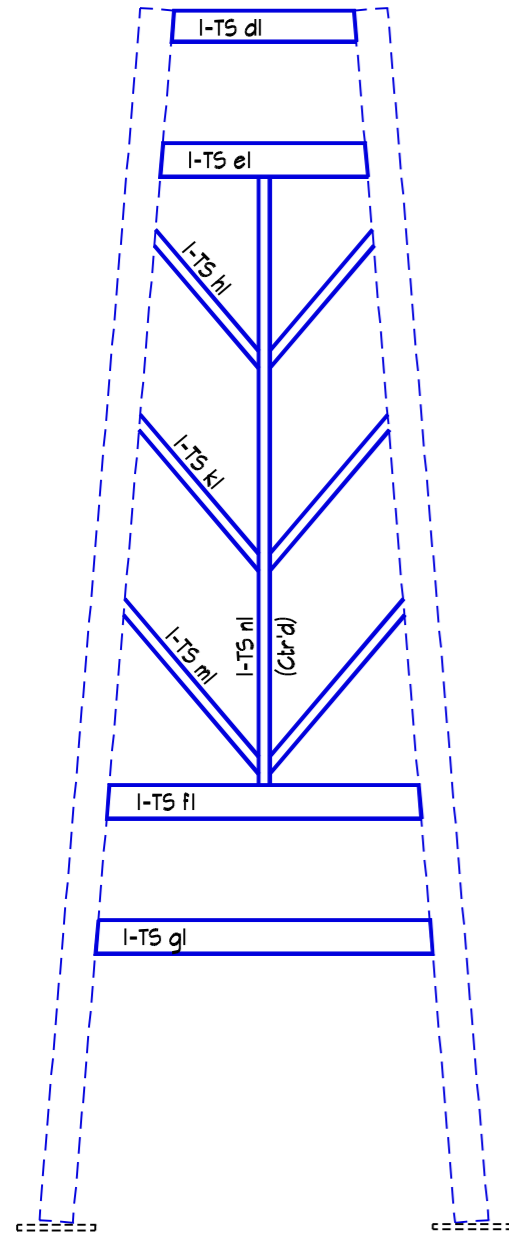
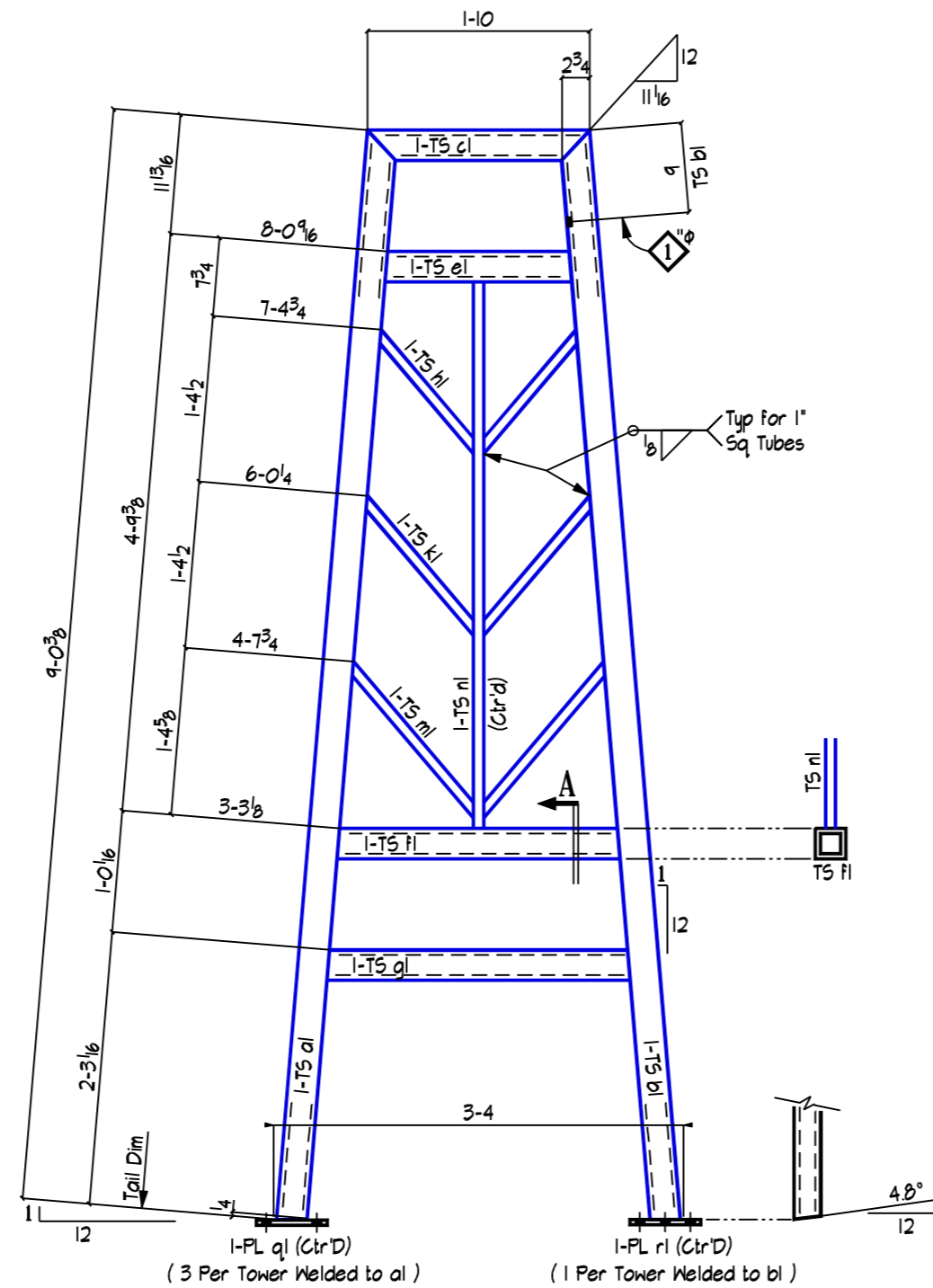


- BILL OF MATERIAL -

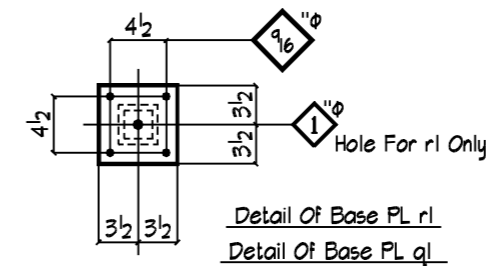
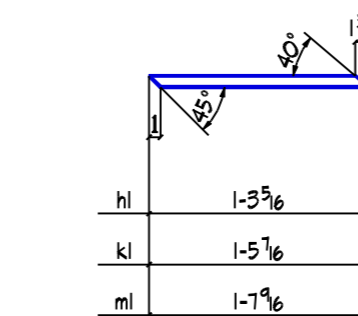
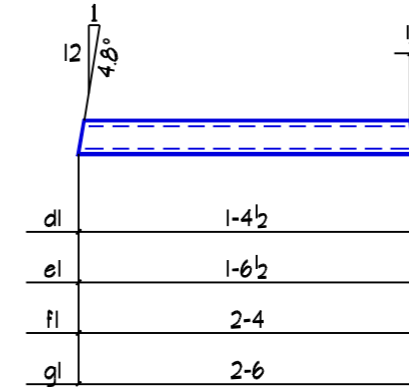
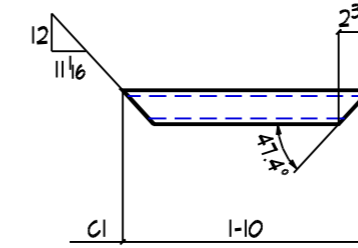
QTY	DESCRIPTION	LENGTH	MARK	REMARKS
5	Lamp Tower		ILT1	
5	TS 3 x 3 x 1/8	9-0 3/8	al	
15	TS 3 x 3 x 1/8	9-0 3/8	bl	
10	TS 3 x 3 x 1/8	1-10	cl	
10	TS 3 x 3 x 1/8	1-4 1/2	dl	
20	TS 3 x 3 x 1/8	1-6 1/2	el	
20	TS 3 x 3 x 1/8	2-4	fl	
20	TS 3 x 3 x 1/8	2-6	gl	
40	TS 1 x 1 x 16Ga	1-3 5/16	hl	
40	TS 1 x 1 x 16Ga	1-5 7/16	kl	
40	TS 1 x 1 x 16Ga	1-7 9/16	ml	
20	TS 1 x 1 x 16Ga	4-6 1/8	nl	
15	Bar 3/8 x 7	0-7	ql	
5	Bar 3/8 x 7	0-7	rl	



Right & Left Side



Front & Back Side



Detail Of Base PL rl
Detail Of Base PL ql

- UNLESS NOTED OTHERWISE -

13/16" Ø OPEN HOLES 1/8" FILLET WELD

COATING One S/C Red Oxide Primer

MATERIAL GRADE SHELL BE A36 U.N.O.
WF SHAPES _____ TUBES A500 Gr B
CHANNELS _____ PIPES _____

REF DWG H4.0

Tower Steel Services

DETAILS OF Lantern Tower
PROJECT Woodlands At Knoxville
LOCATION Tennessee
CUSTOMER _____

DETAIL DY 07-05-07 REV# _____ JOB # 910
CHK.R _____ DWG# 1