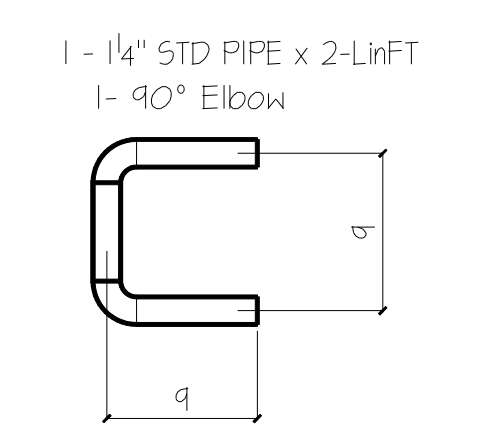
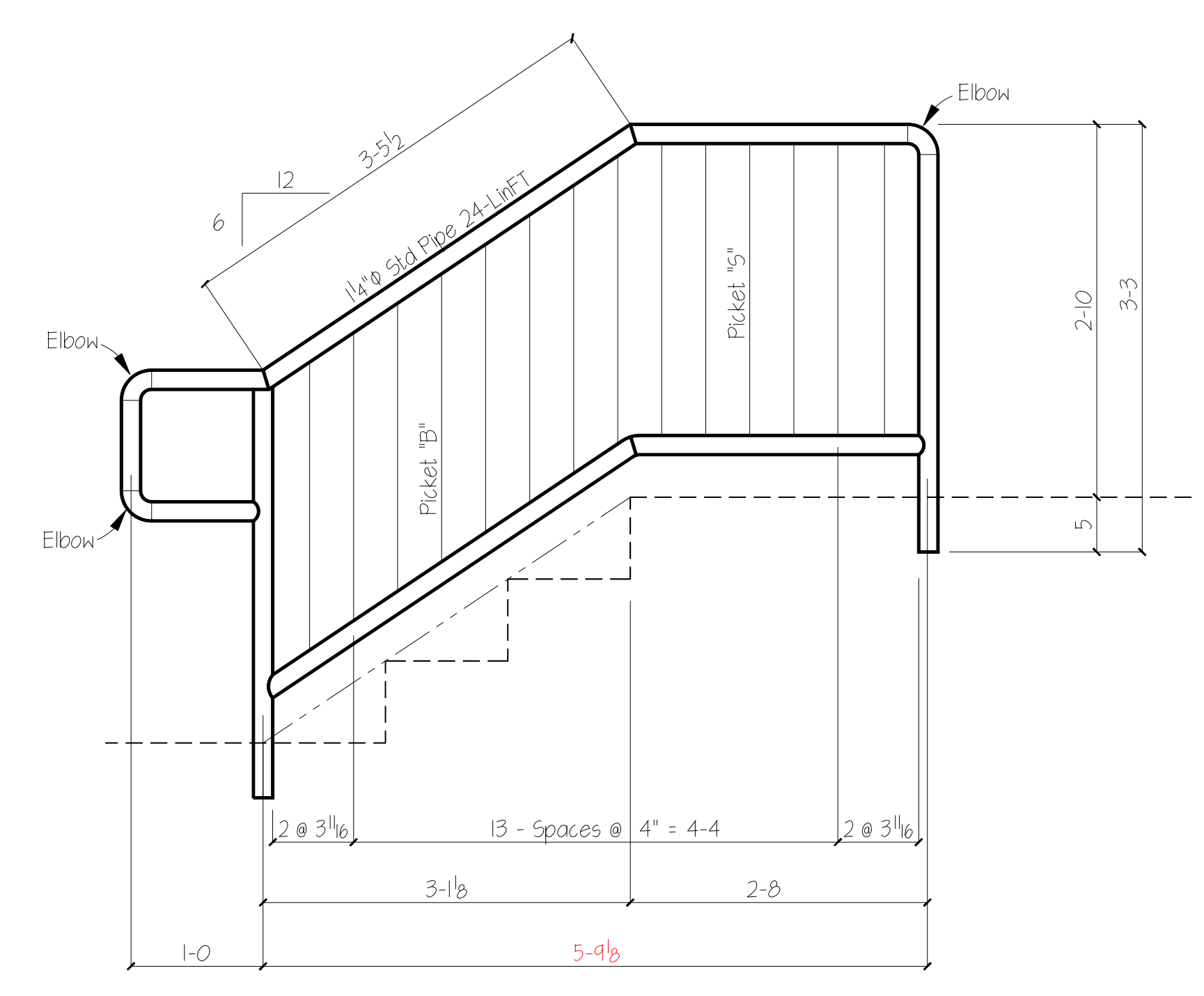
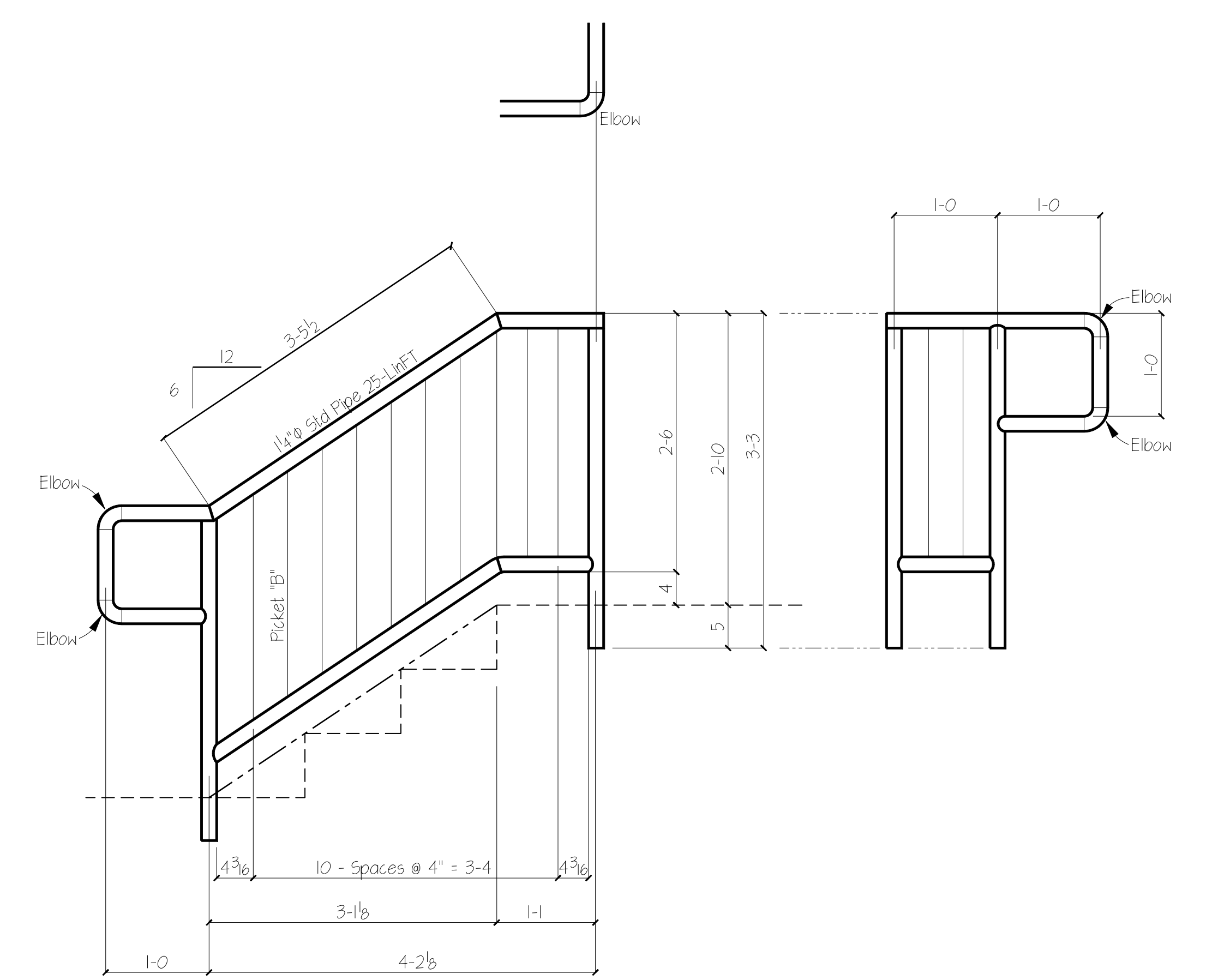
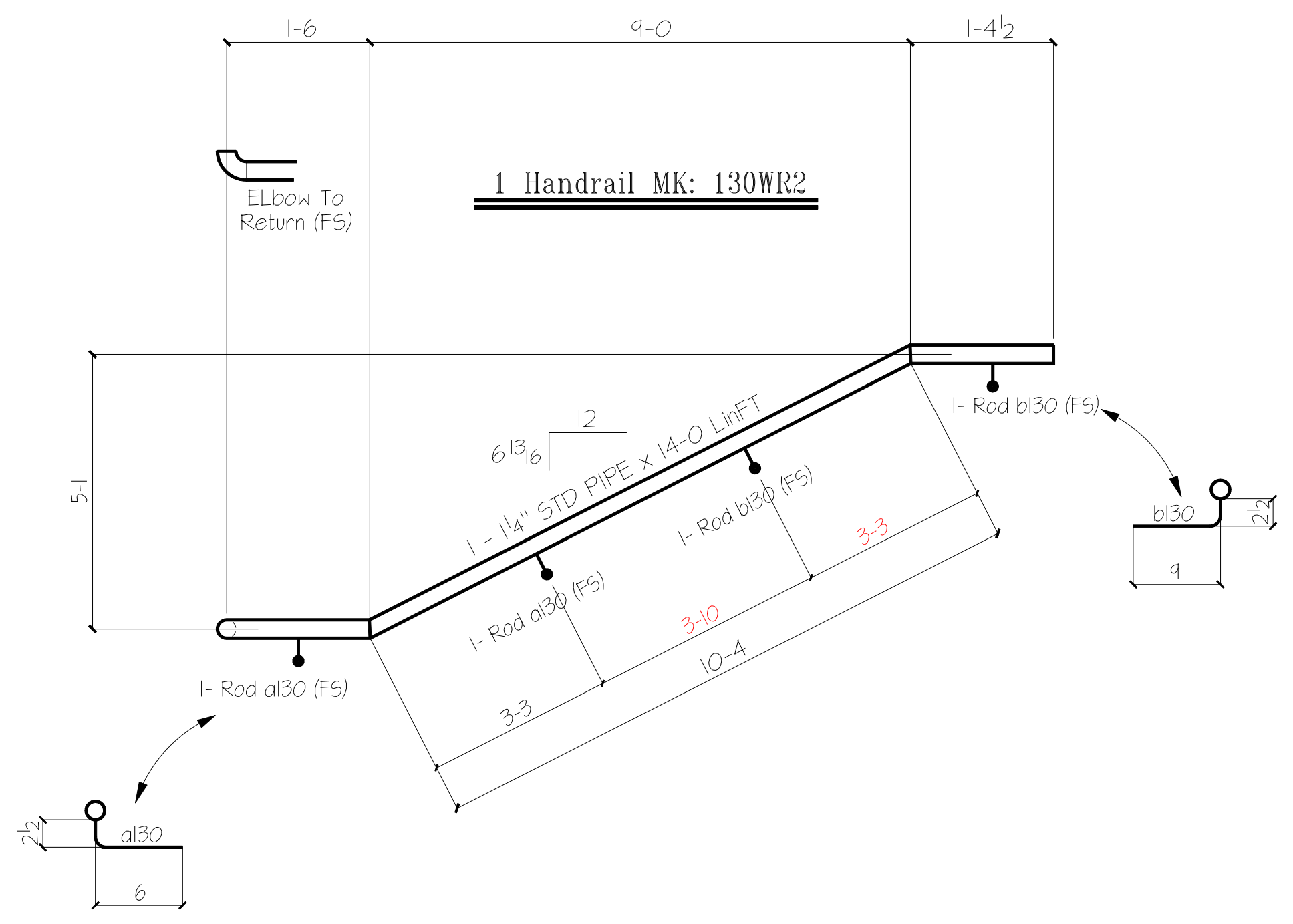
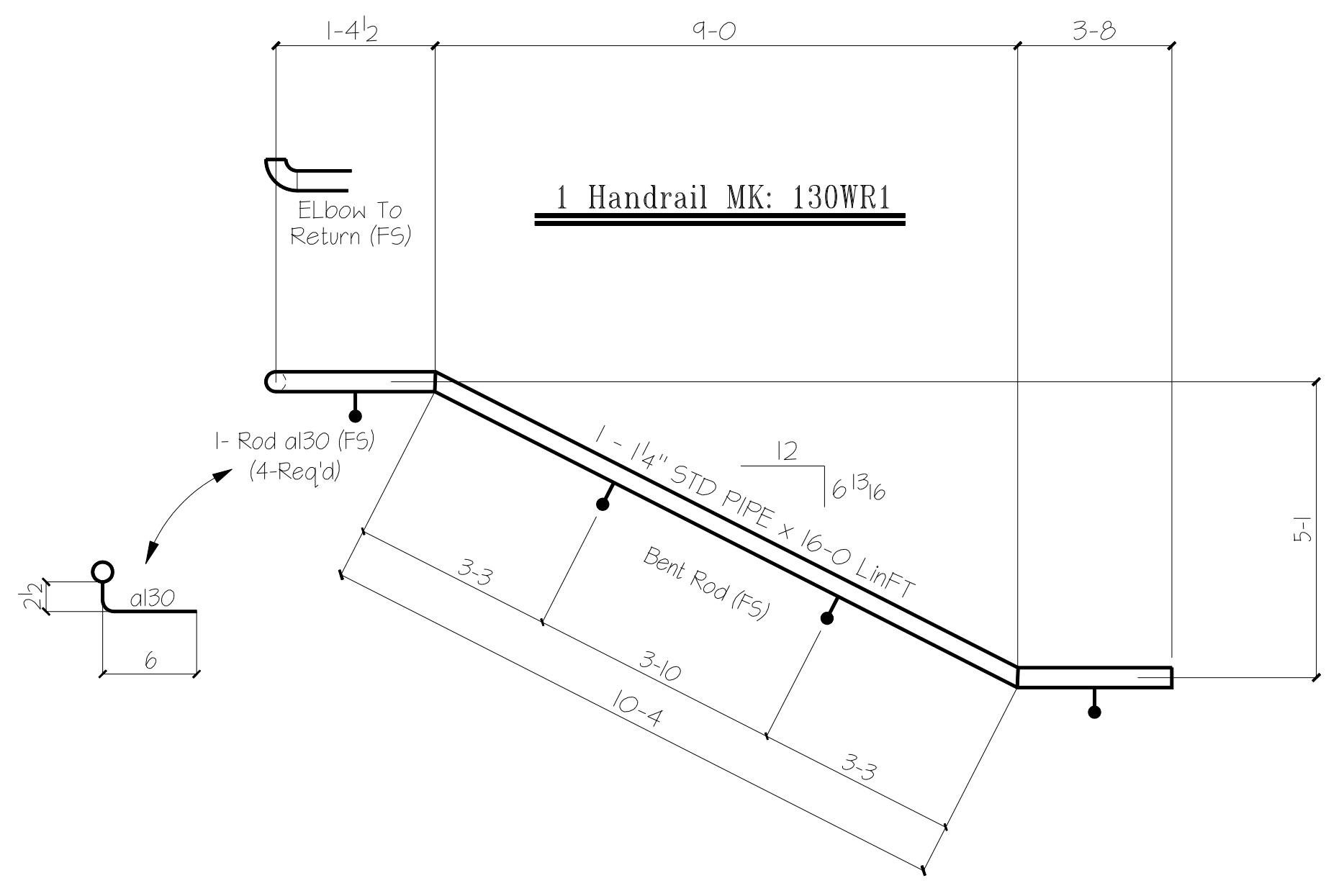


- UNLESS NOTED OTHERWISE -			
$\frac{13}{16}^{\circ}$ OPEN HOLE	$\frac{1}{4}^{\circ}$ FILLETS		
COATING <i>One S/C Red Oxide Primer</i>		PROJECT	Methodist Church
MATERIAL GRADE SHELL BE <i>A36</i> U.N.O.		LOCATION	San Antonio TX
WF SHAPES <i>A512</i>	TUBES <i>A500</i>	CUSTOMER	Methodist Church
CHANNELS <i>A512</i>	PIPES <i>A501 or A53</i>	ARCHITECT	Alamo Architect
REF DWG		ENGINEER	
DETAIL <i>DY</i>	DATE <i>12-06-07</i>	JOB NAME	Methodist Church
CHK.R		SHEET #	E 130
		REV #	

— BILL OF MATERIAL —

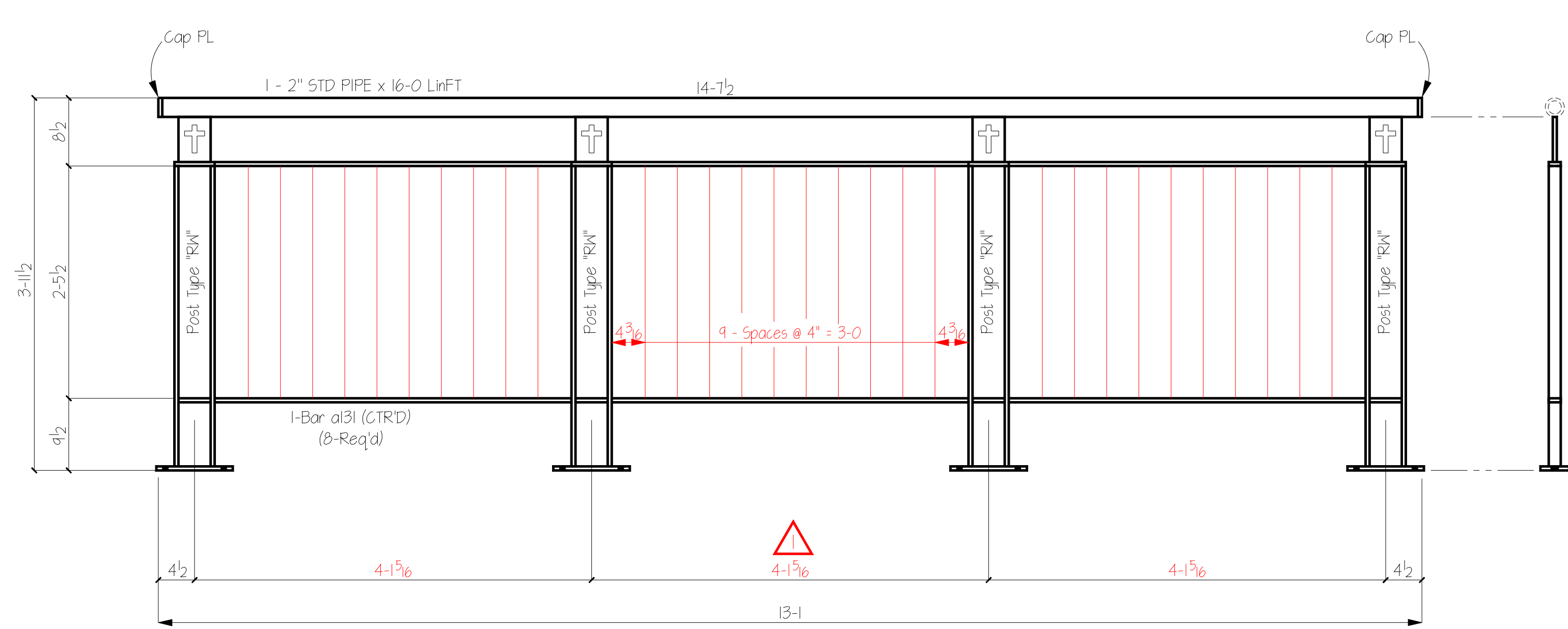
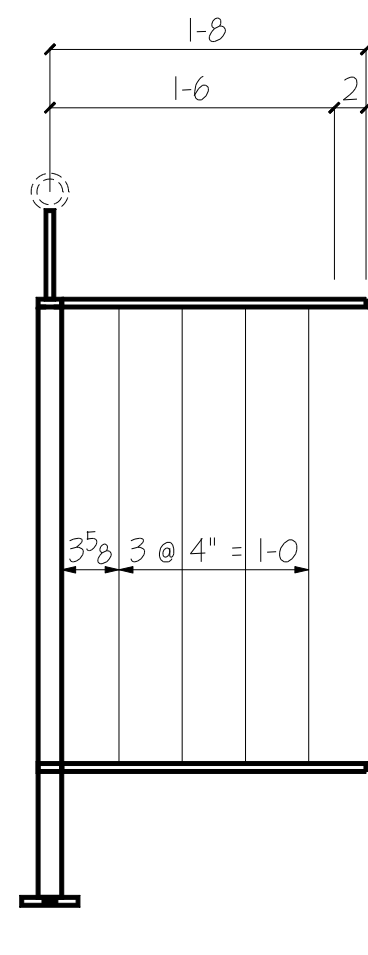
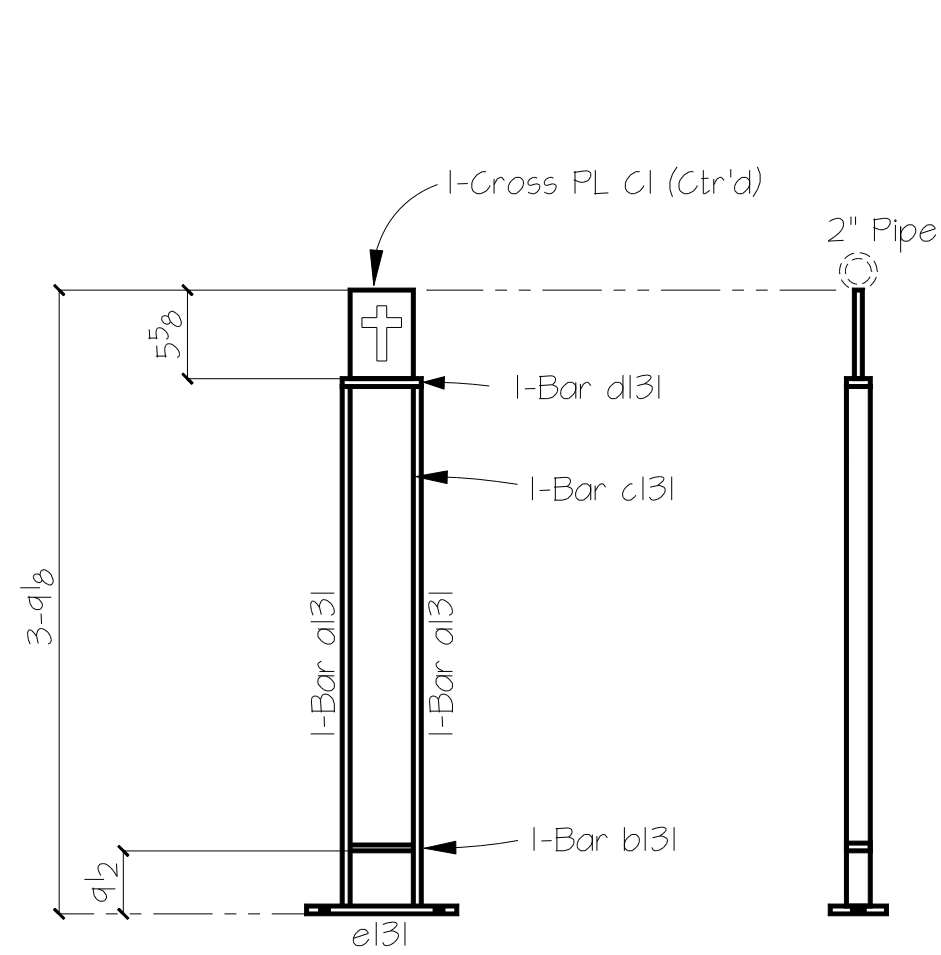
MARK	QTY	DESCRIPTION	LENGTH	REMARKS
130WR1	1	1/4" STD Pipe	16-Lin FT	
a130	4	1/2" Rod	0-9	Bent
Elbow	1	1/4" Pipe Elbow		
130WR2	1	1/4" STD Pipe	14-Lin FT	
a130	2	1/2" Rod	0-9	Bent
b130	2	1/2" Rod	1-0	Bent
Elbow	1	1/4" Pipe Elbow		
130PR1	1	1/4" STD Pipe	25-Lin FT	
Elbow	5	1/4" Pipe Elbow		
Picket "B"	7	1/2" Rod	2-2 1/2	
Picket "S"	6	1/2" Rod	2-2 1/4	
130PR2	1	1/4" STD Pipe	24-Lin FT	
Elbow	4	1/4" Pipe Elbow		
Picket "B"	7	1/2" Rod	2-2 1/2	
Picket "S"	6	1/2" Rod	2-2 1/4	
130SR1	1	1/4" STD Pipe	3-Lin FT	
Elbow	2	1/4" Pipe Elbow		



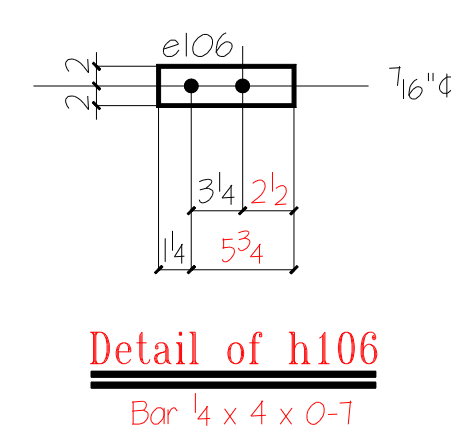
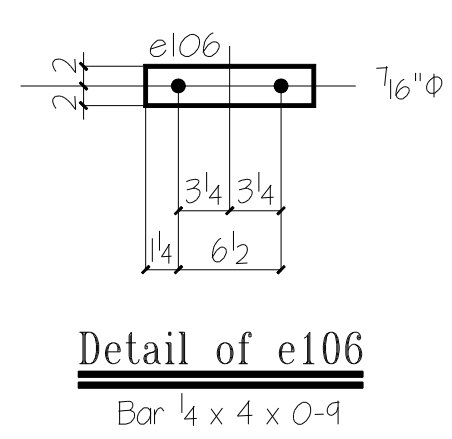
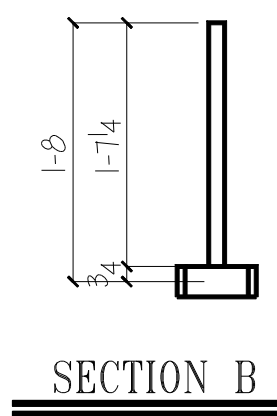
2 Splice Rails 130SR1

— UNLESS NOTED OTHERWISE —

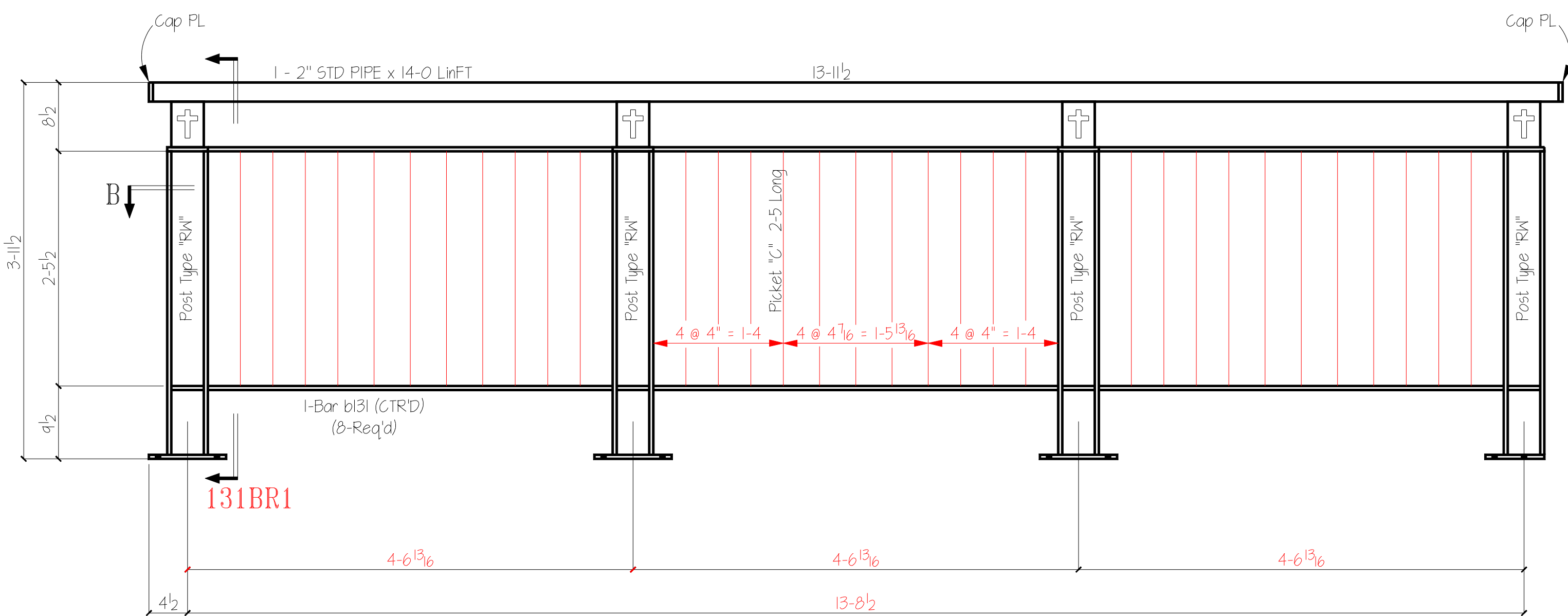
13/16" Ø OPEN HOLE	1/4" FILLETS	PROJECT	Methodist Church
COATING	One S/C Red Oxide Primer	LOCATION	San Antonio TX
MATERIAL GRADE	SHELL BE A36 U.N.O.	CUSTOMER	Methodist Church
WF SHAPES	A572 TUBES A500	ARCHITECT	Alamo Architect
CHANNELS	A572 PIPEs A501 or A53	ENGINEER	
REF DWG		DETAIL	DY 12-06-07
		JOB NAME	Methodist Church
		SHEET #	130
		REV #	



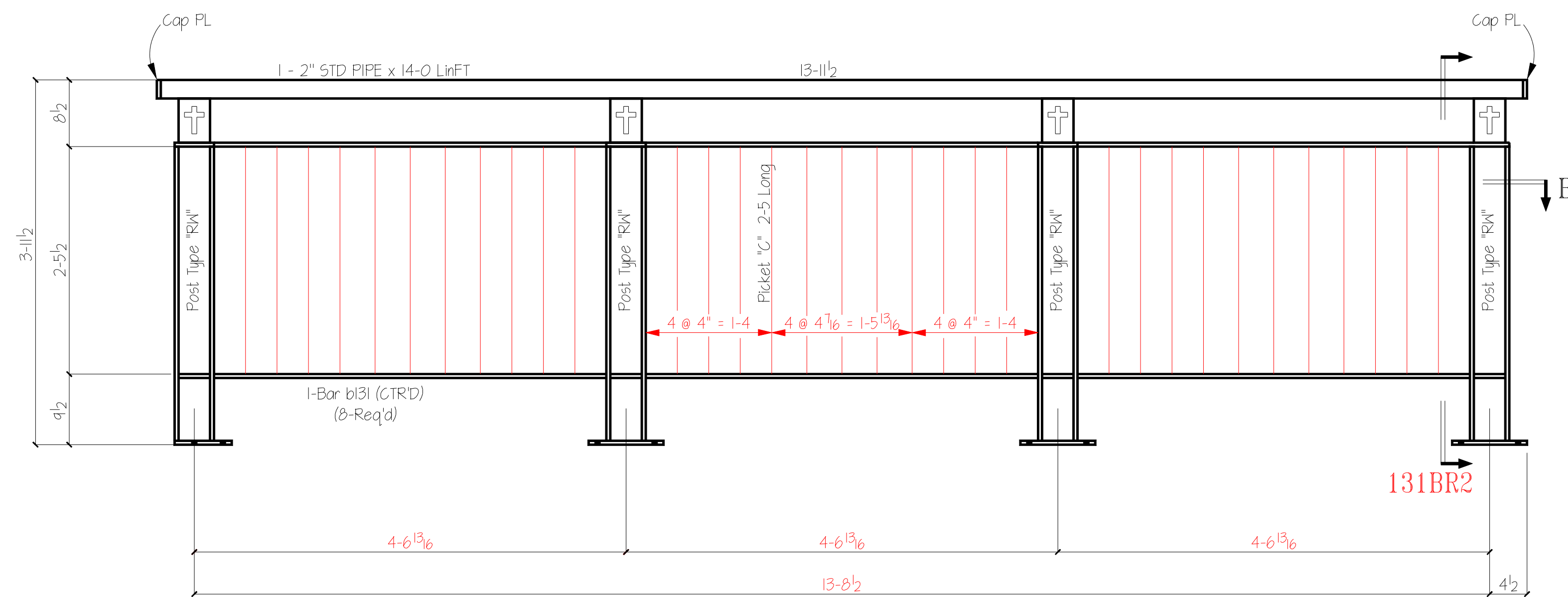
1 Bar Rail MK: 131BR1



- BILL OF MATERIAL -				
MARK	QTY	DESCRIPTION	LENGTH	REMARKS
Each	QTY	13	Post Type "RW"	
1	C1	13	Bar 1/4 x 4	0-5 5/8
1	hrbl	13	Bent Rod 1/2φ	0-7 1/2
2	a131	18	Bar 1/2 x 1 1/2	3-2 3/4
1	b131	13	Bar 1/2 x 1 1/2	0-4
1	d131	13	Bar 1/2 x 1 1/2	0-5
1	e131	13	Bar 1/4 x 3	0-9
131BR1	1	2" Std Pipe	14-Lin FT	
a131	8	Bar 1/2 x 1 1/2	3-1 3/4	
Picket "C"	36	Rod 1/2" φ	2-5	
Cap PL	2	PL 1/8 x 2 3/8 φ	2 3/8" φ	Round
131BR2	1	2" Std Pipe	14-Lin FT	
b131	8	Bar 1/2 x 1 1/2	4-1	
Picket "C"	36	Rod 1/2" φ	2-5	
Cap PL	2	PL 1/8 x 2 3/8 φ	2 3/8" φ	Round
e131	3	Bar 1/4 x 4	0-9	Base PL
h131	1	Bar 1/4 x 4	0-7	Base PL
131BR3	1	2" Std Pipe	14-Lin FT	
c131	8	Bar 1/2 x 1 1/2	4-3 1/16	
Picket "C"	36	Rod 1/2" φ	2-5	
Cap PL	2	PL 1/8 x 2 3/8 φ	2 3/8" φ	Round
e131	3	Bar 1/4 x 4	0-9	Base PL
h131	1	Bar 1/4 x 4	0-7	Base PL



1 Bar Rail MK: 131BR2



1 Bar Rail MK: 131BR3

- UNLESS NOTED OTHERWISE -

13/16" OPEN HOLE 1/4" FILLETS

COATING One S/C Red Oxide Primer

MATERIAL GRADE SHELL BE A36 U.N.O.
 WF SHAPES A572 TUBES A500
 CHANNELS A572 PIPES A501 or A53

REF DWG _____

PROJECT Methodist Church
 LOCATION San Antonio TX
 CUSTOMER Methodist Church
 ARCHITECT Alamo Architect
 ENGINEER _____

DETAIL DY 12-06-07 JOB NAME Methodist Church
 CHK.R _____ SHEET # 131 REV # _____

