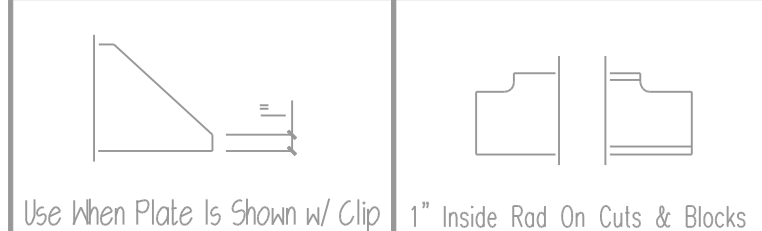
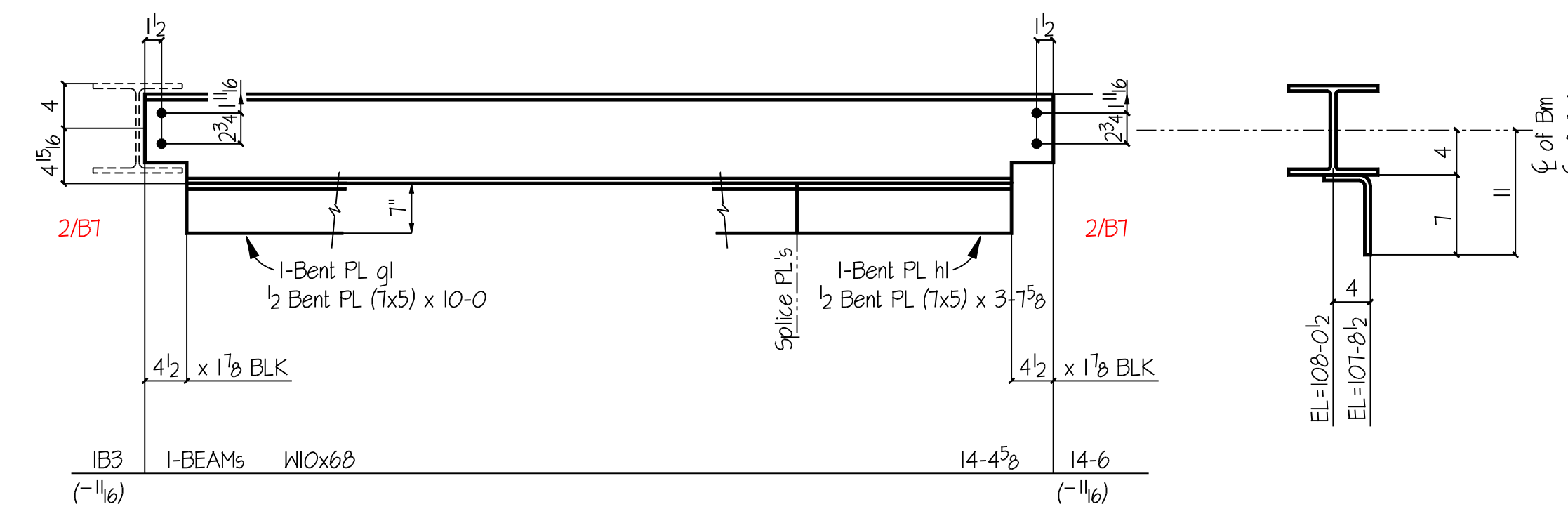
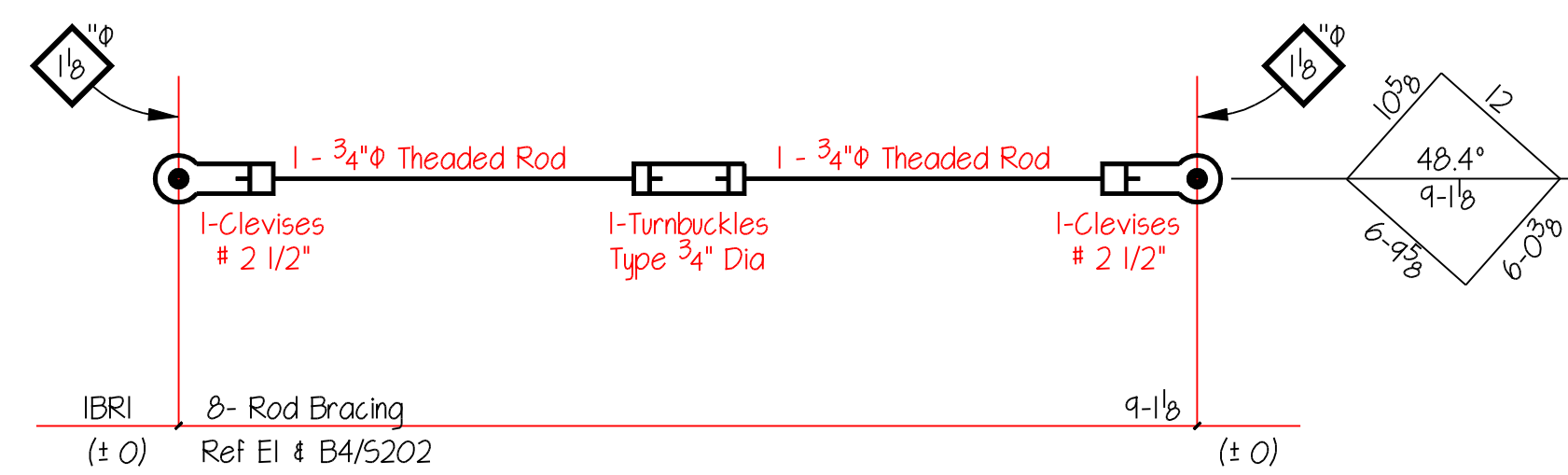
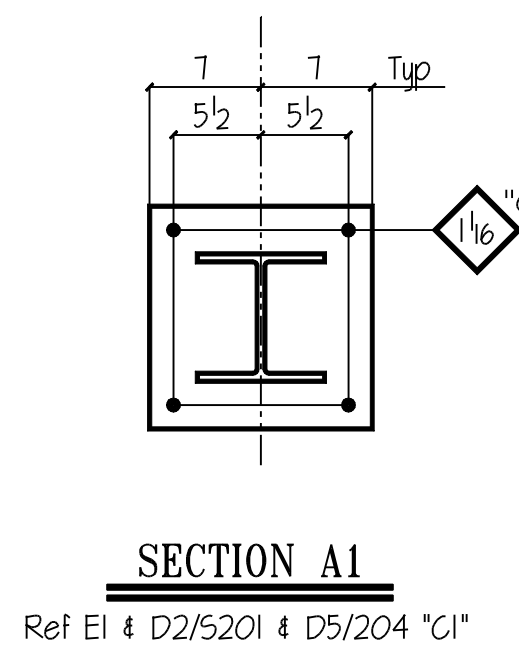
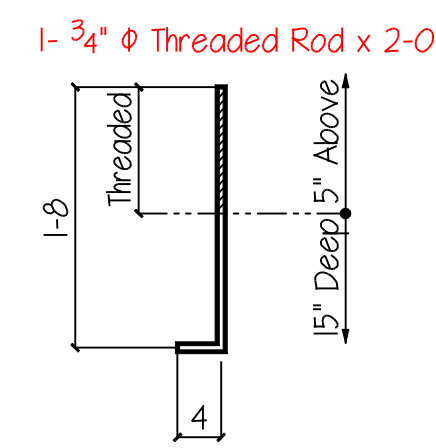
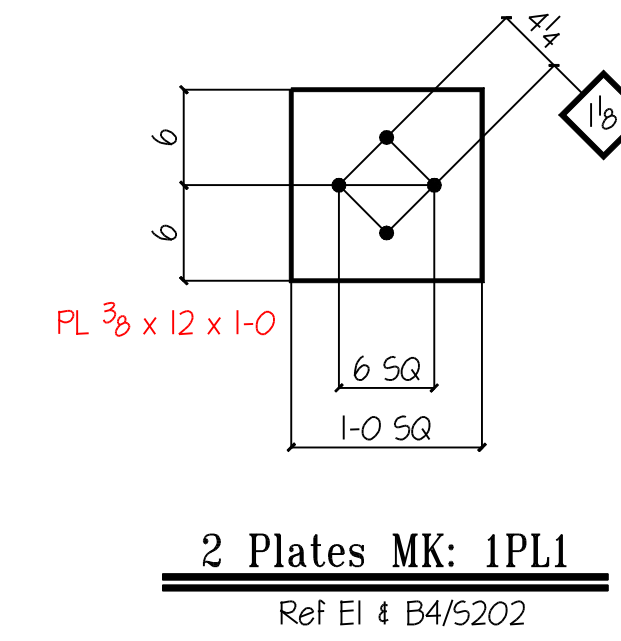
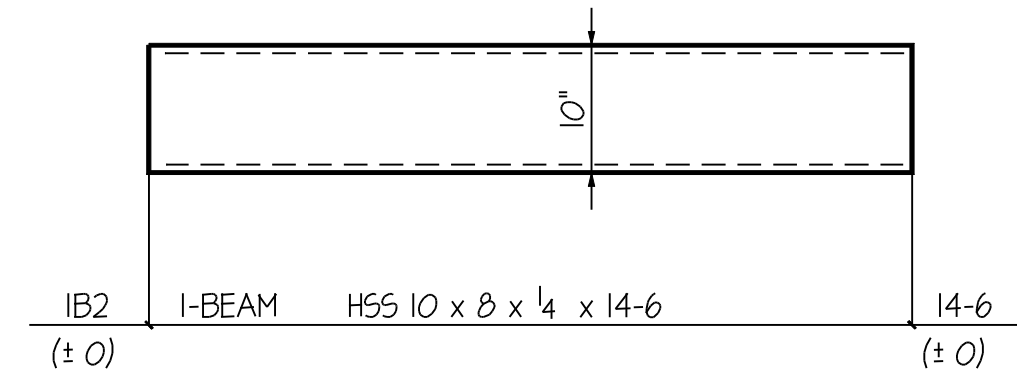
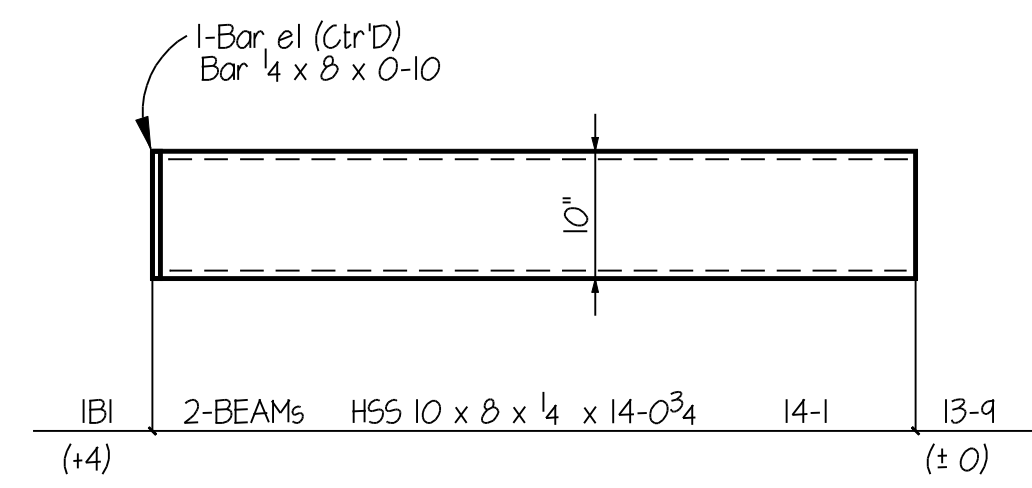
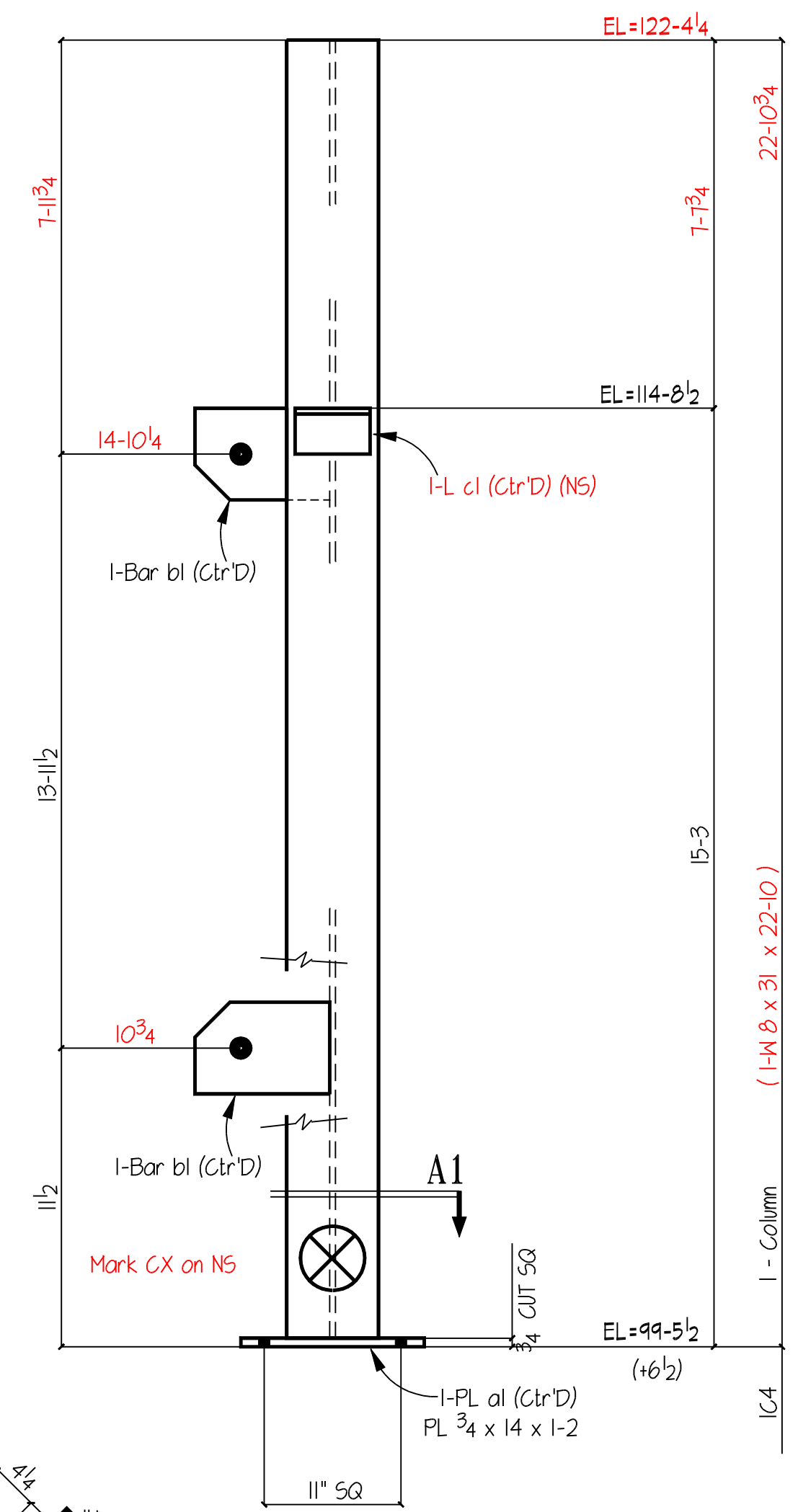
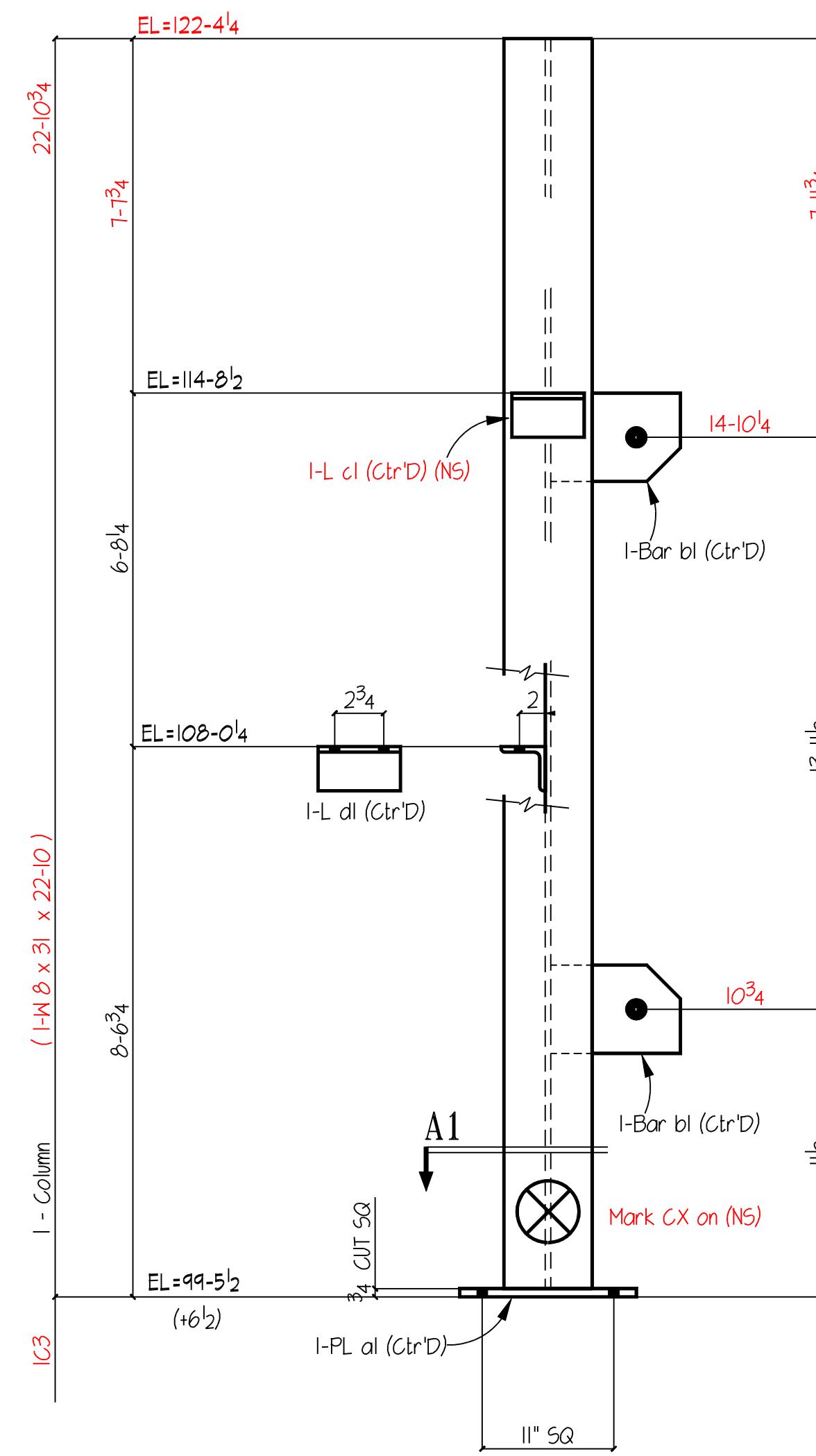
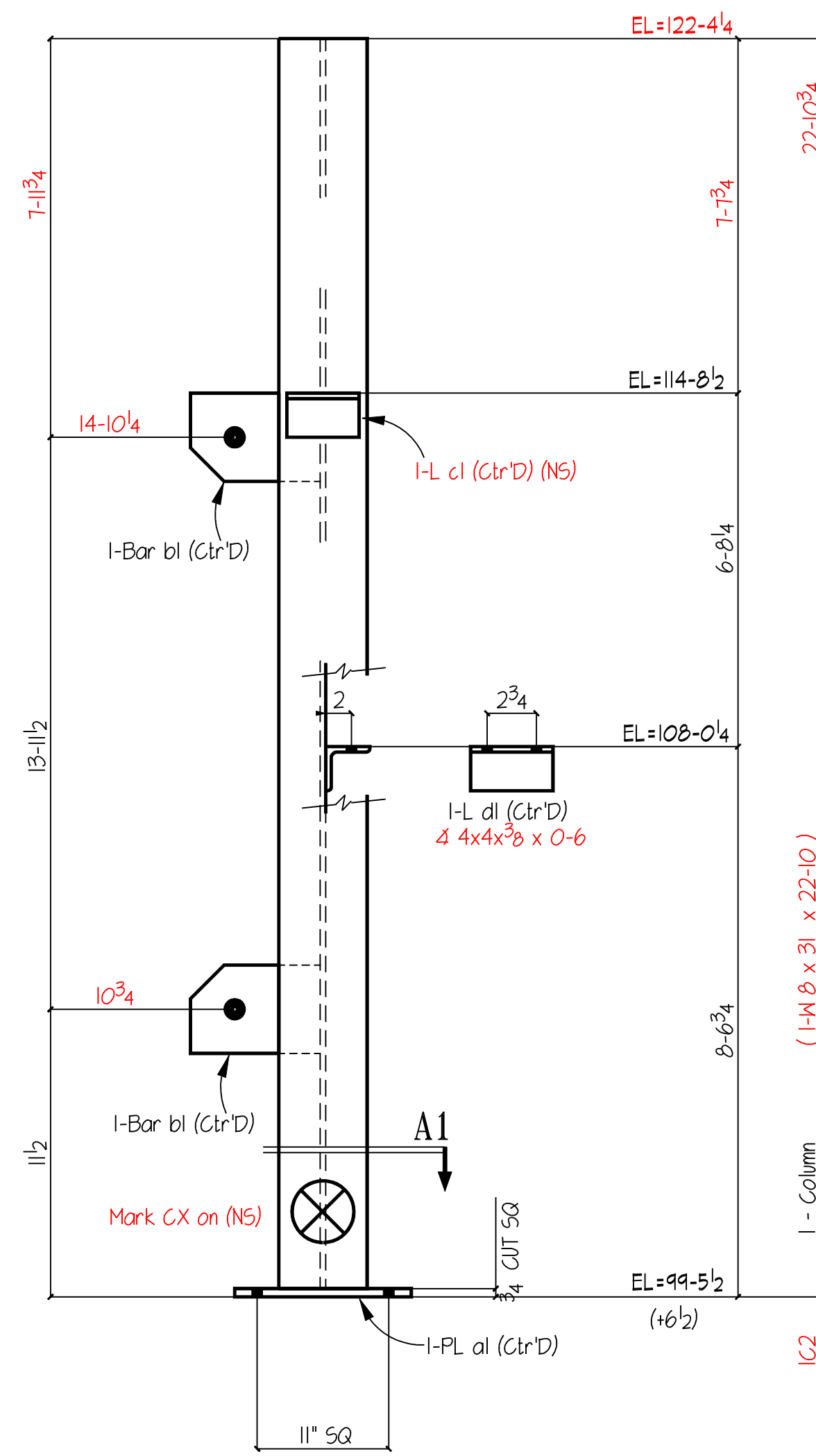
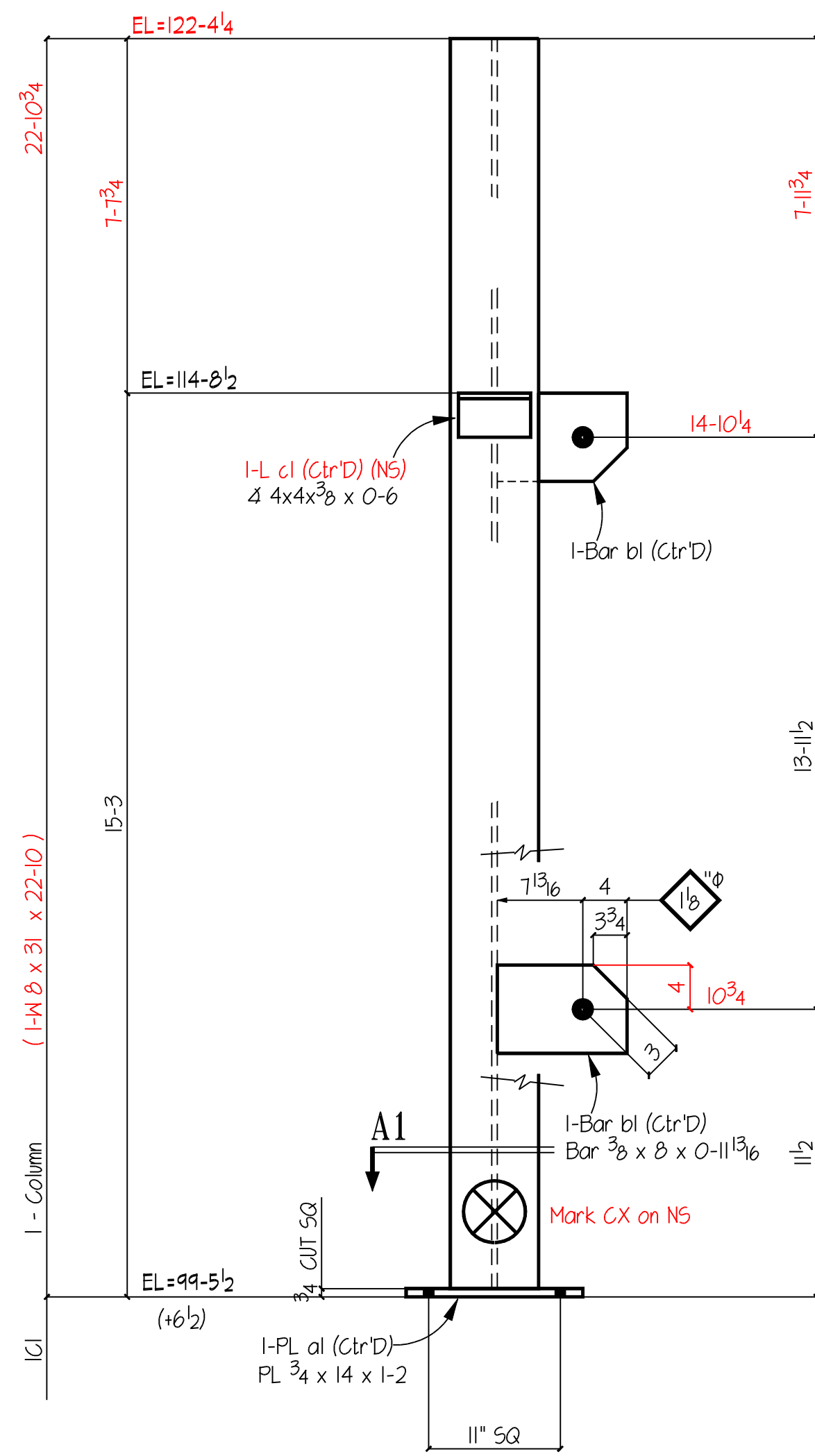


- UNLESS NOTED OTHERWISE -		AWF	
13/16" Ø OPEN HOLES	1/4" FILLETS	PROJECT	HEB San Antonio #17
COATING	One S/C Red Oxide Primer	LOCATION	1277 IH 10 West
MATERIAL GRADE	SHELL BE A36 U.N.O.	CUSTOMER	HEB
WF SHAPES	A512 TUBES A500	ARCHITECT	MSA Planning
CHANNELS	A512 PIPEs A501 or A53	ENGINEER	AccuTech Consultants
DETAIL	dy 8-2-01	JOB NAME	HEB17
CHK.R	MG 8-24-1	SHEET #	E 1
REF DWG S201 & S202			



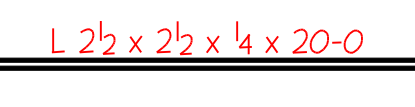


16 Anchor Bolts MK: 1AB1
Ref EI # D2/5201 # D5/204 "CI"

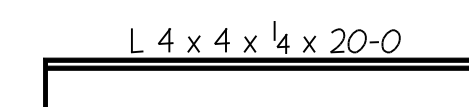
SECTION A1
Ref EI # D2/5201 # D5/204 "CI"

8-Rod Bracing
Ref EI # B4/5202

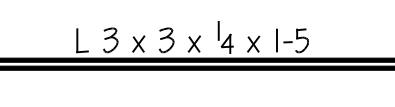
2/BT
IB3 (-1 1/6) IB4-6 (-1 1/6)



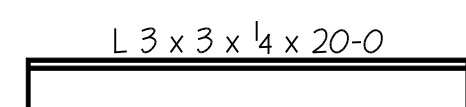
4 Angles MK:1A1
Field Cut & Miter A5 Needed
Ref EI # B4/5201



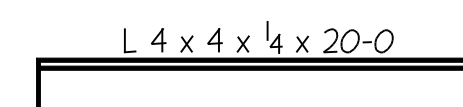
4 Angles MK:1A2
Field Cut & Miter A5 Needed
Ref EI # B4/5201



8 Angles MK:1A3
Ref EI # B4/5201



2 Angles MK:1A4
Field Cut & Miter A5 Needed
Ref A5 on 5201



1 Angles MK:1A5
Field Cut & Miter A5 Needed
Ref A4 & A5 on 5201

- FIELD BOLT LIST -

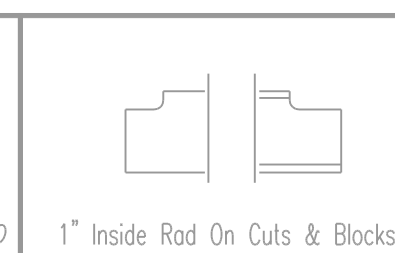
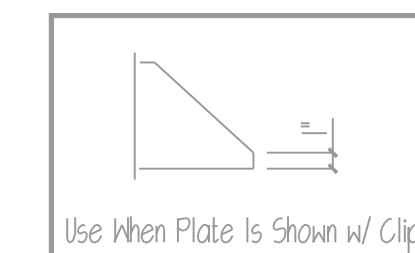
4 - 3/4" A325 x 0-1 3/4 (BT) W/N4W
16 - 1" A325 x 0-? W/Nut

- UNLESS NOTED OTHERWISE -

13/16" OPEN HOLES
1/4" FILLETS

AWF

PROJECT [HEB San Antonio #17](#)
LOCATION [1277 IH 10 West](#)
CUSTOMER [HEB](#)
ARCHITECT [MSA Planning](#)
ENGINEER [AccuTech Consultants](#)



MATERIAL GRADE SHALL BE [A36](#) U.N.O.
WF SHAPES [A512](#) TUBES [A500](#)
CHANNELS [A512](#) PIPES [A501 or A53](#)

DETAIL [dy](#) 8-2-01
JOB NAME [HEB17](#)
SHEET # [D 1](#)

CHK.R [MG](#) 8-24-1
REF DWG