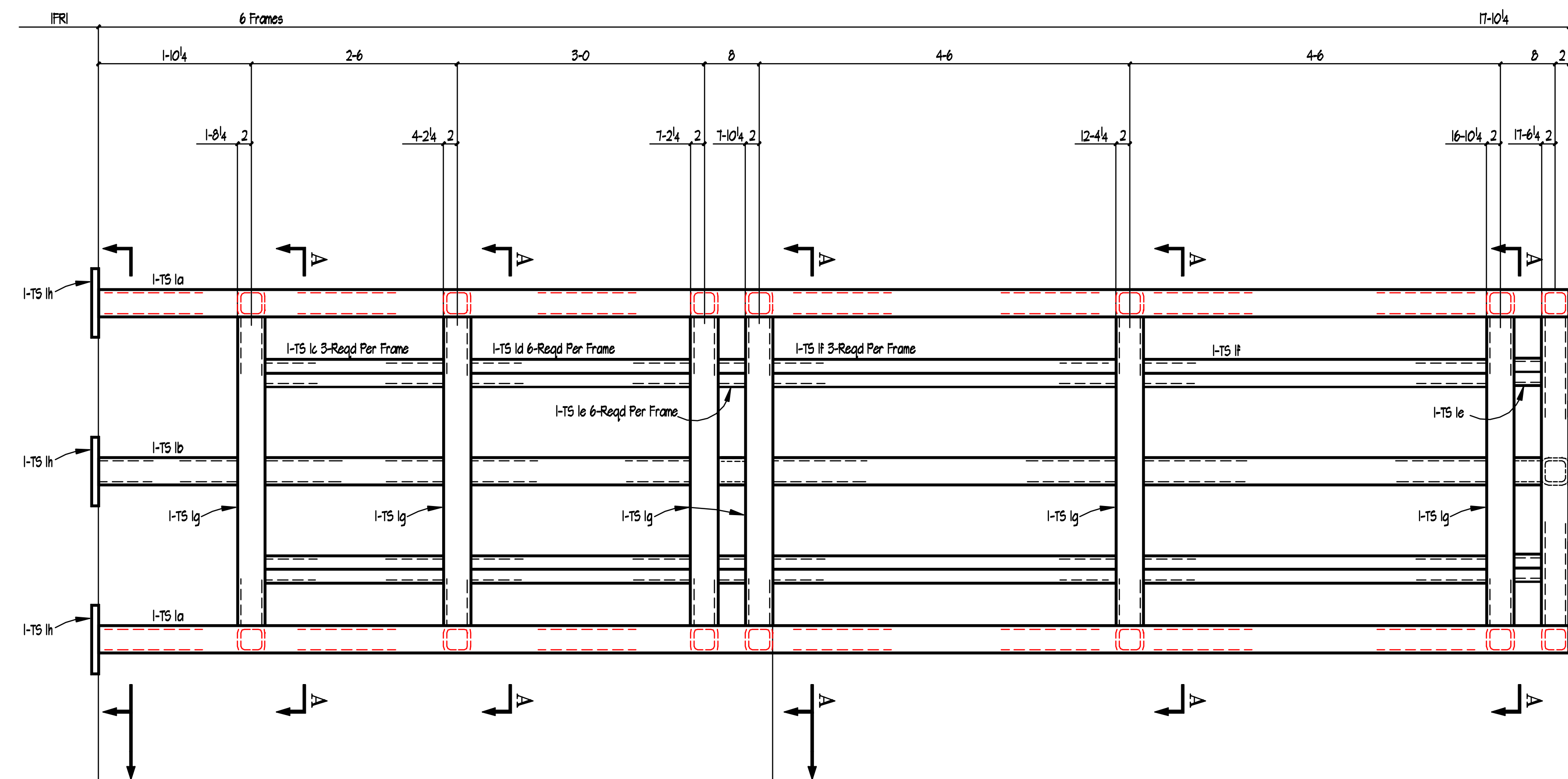
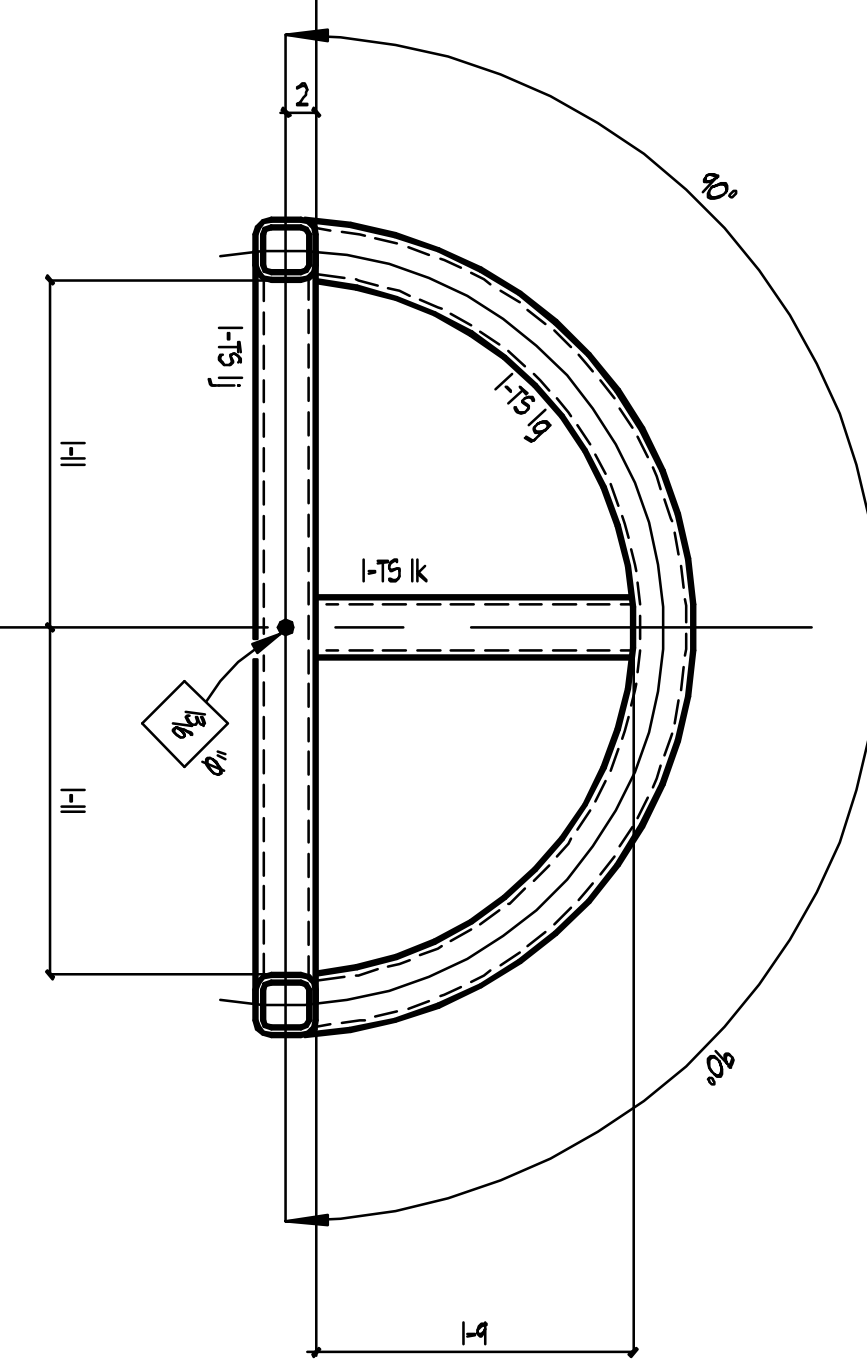
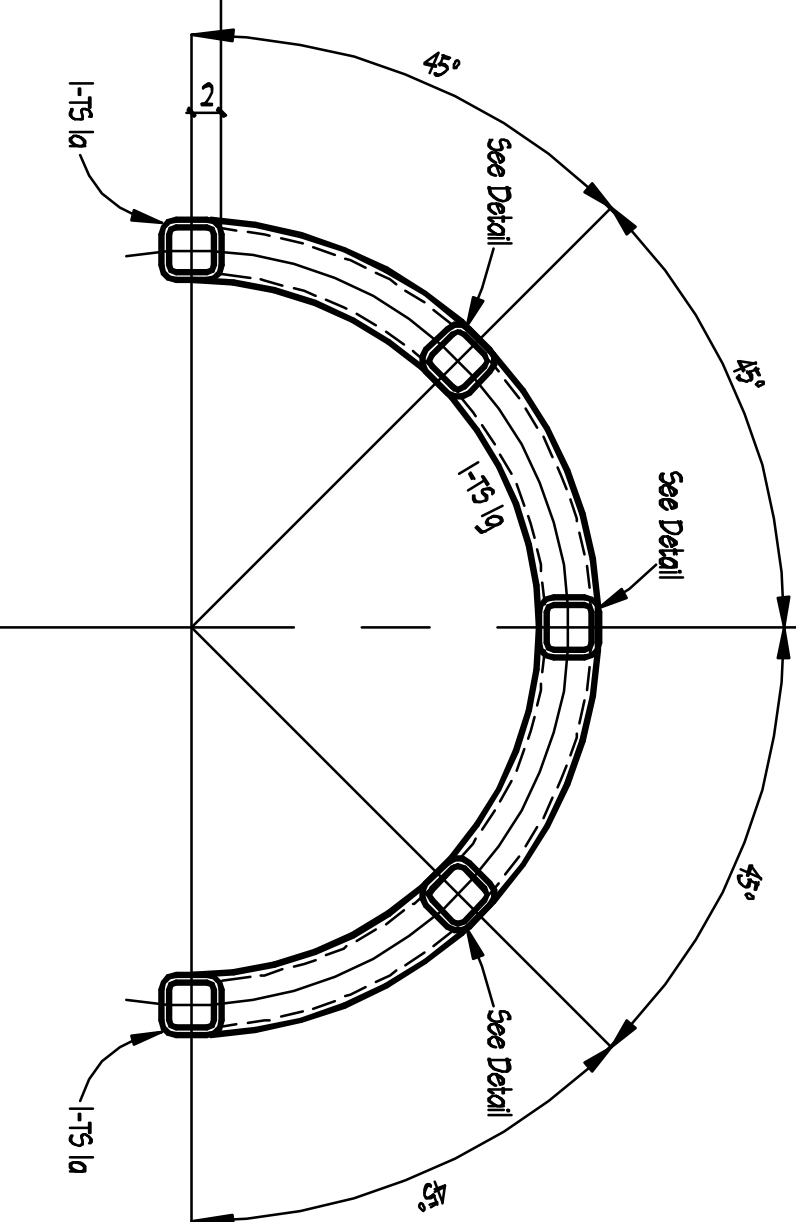
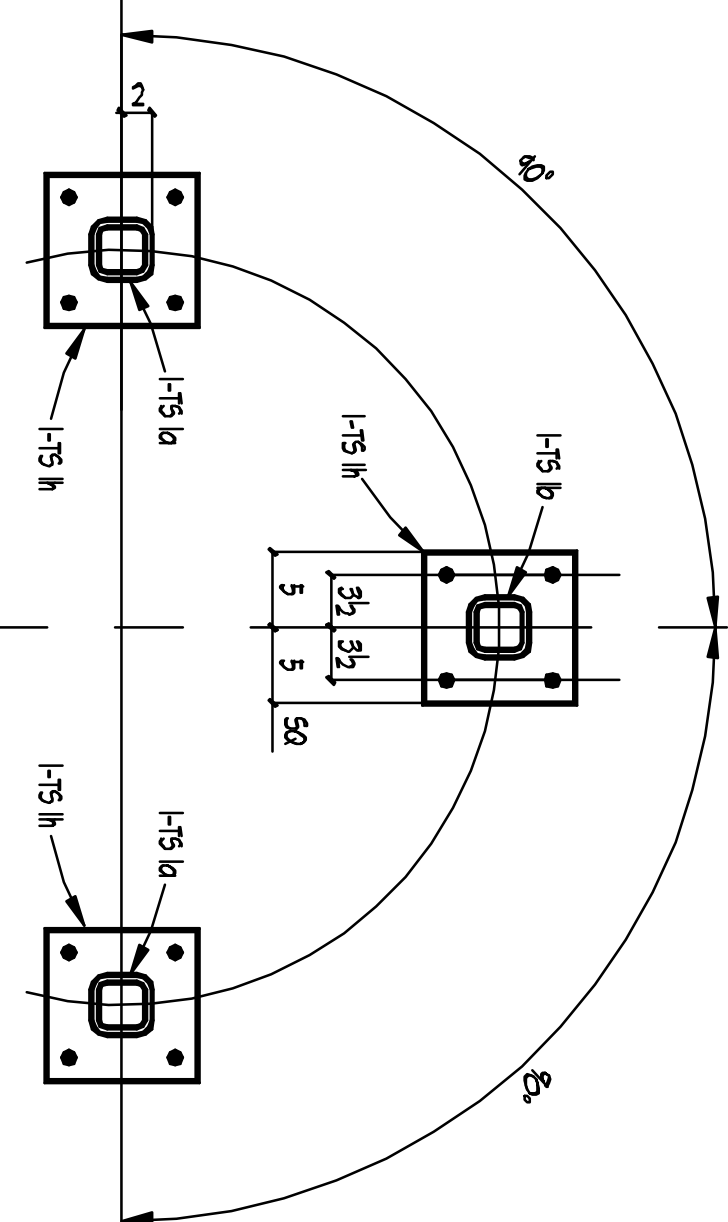
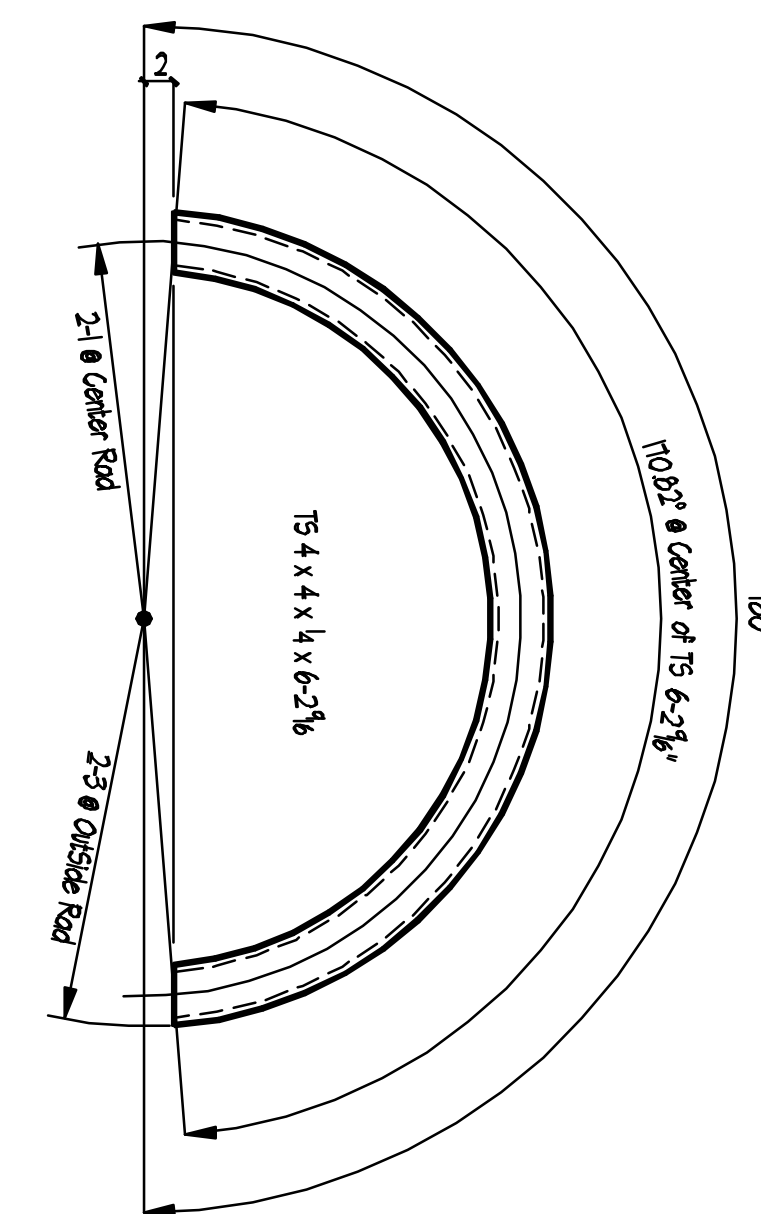


BILL OF MATERIAL

MARK	QTY	DESCRIPTION	LENGTH	REMARKS
2	12	T5 4 x 4 x 3/8	17-10 1/4	
1	6	T5 4 x 4 x 3/8	1-8 1/4	
3	18	T5 4 x 4 x 3/8	2-2	
3	18	T5 4 x 4 x 3/8	2-2	
6	36	T5 4 x 4 x 3/8	4	
6	36	T5 4 x 4 x 3/8	4-2	
1	42	T5 4 x 4 x 3/8	6-2 1/8	Rolled
3	18	Bar 1 x 10	0-10	
1	6	T5 4 x 4 x 3/8	3-10	
1	6	T5 4 x 4 x 3/8	1-4	



Detail of 1g - 42-Reqd



Field Bolts

- 0 - 3/4" A325 x 0-1 1/2 (B6)
- 0 - 3/4" A325 x 0-1 3/4 (B1)
- 0 - 3/4" A325 x 0-2 (B8)

Use As Shown On Draw

This Sheet Was Sent For

Approval On _____

Shop On _____

Field On _____

Stamp Use Only

Grind All Welds Smooth

3/16" Fillet Welds UNO

3/16" Dia Holes UNO

Paint One s/c Red Oxide

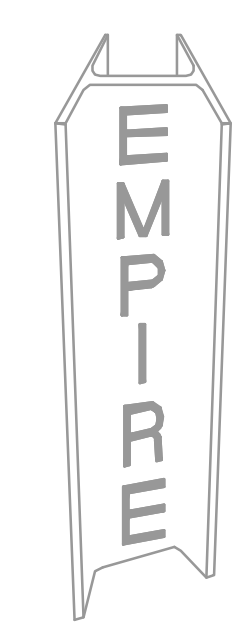
Drawn By DY 9-25-02 Date

Check By O O Date

Ref A-shts _____

Ref S-shts 51

Ref E-shts _____



Empire Metals & Miscellaneous Steel, Inc.

Details of: **Steel Support Towers**

Project: **Labyrinth Gateway at UTSA**

Location: **Durango & S Pecos**

Customer: **Swinerton Builders**

Architect: **Rehler Vaughn & Koone**

Engineer: **Lundy & Franke**

CUST PO No.	JOB No.	SHT No.	REV No.
	2140	1	0

NOTICE TO CONTRACTOR & ENGINEER: ALL CHANGES FOR CORRECTIVE WORK OR REPLACEMENT MATERIALS WILL NOT BE ACCEPTED UNLESS AUTHORIZED BY EMPIRE STRUCTURAL STEEL, INC. BEFORE SUCH WORK IS INITIATED.

NOTICE PROPRIETARY INFORMATION: LOANED SUBJECT TO THE CONDITION THAT IT OR ANY OTHER KNOWLEDGE DERIVED THEREFROM WILL NOT BE USED IN ANY WAY DETRIMENTAL OR COMPETITIVE TO THE INTERESTS OF EMPIRE STRUCTURAL STEEL, INC. AND THAT ALL COPIES WILL BE RETURNED UPON REQUEST.

1" Inside Rad On Cuts & Blocks

Fab Brs W/ Mill Camber Up

Tape All Dims To Cut End

Use When Clip Is Shown on Plate

No.	Description of Revision	Date	By	Material Grade Unless Noted Otherwise
0		0	0	WF, Chl A36
				Tubs A500
				Pipe A36
				Other A36