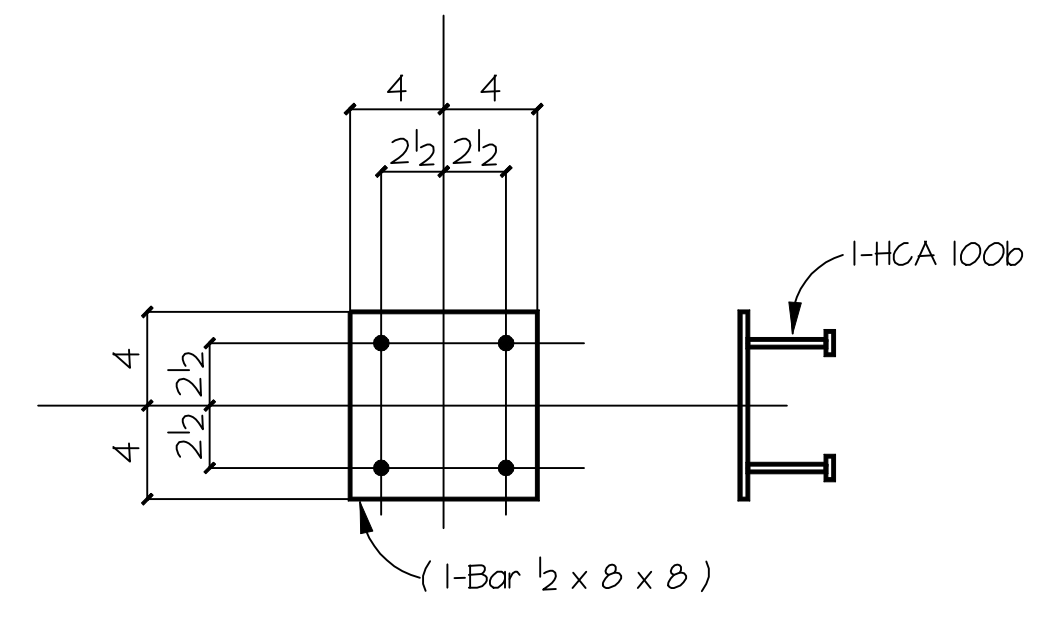
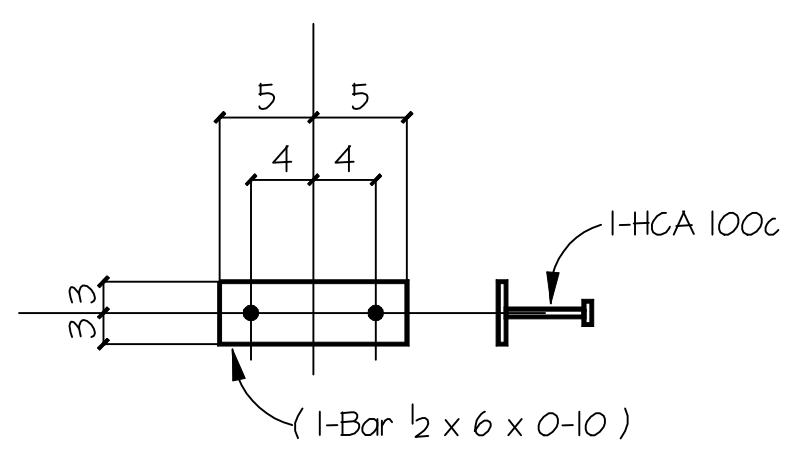


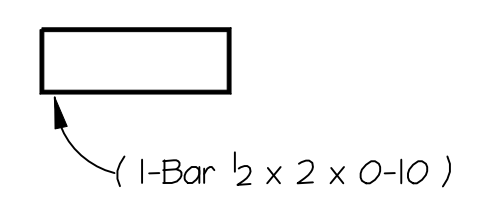
30 Plates MK:100PL1
Ref S2.1 Sect's B Y G



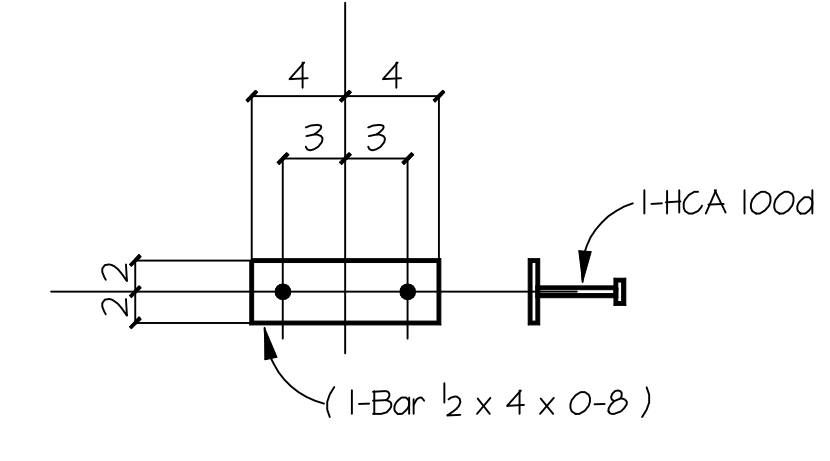
4 Plates MK:100PL2
Ref S2.1 Sect's DD



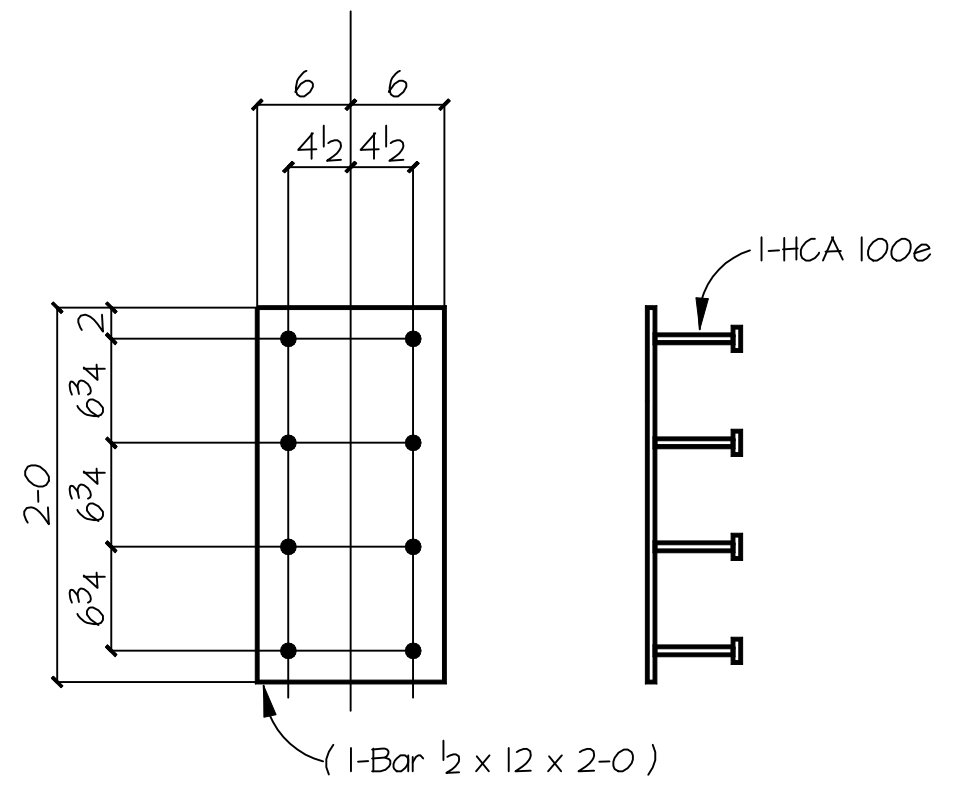
92 Plates MK:100PL3
Ref S2.1 Sect's A C C C D



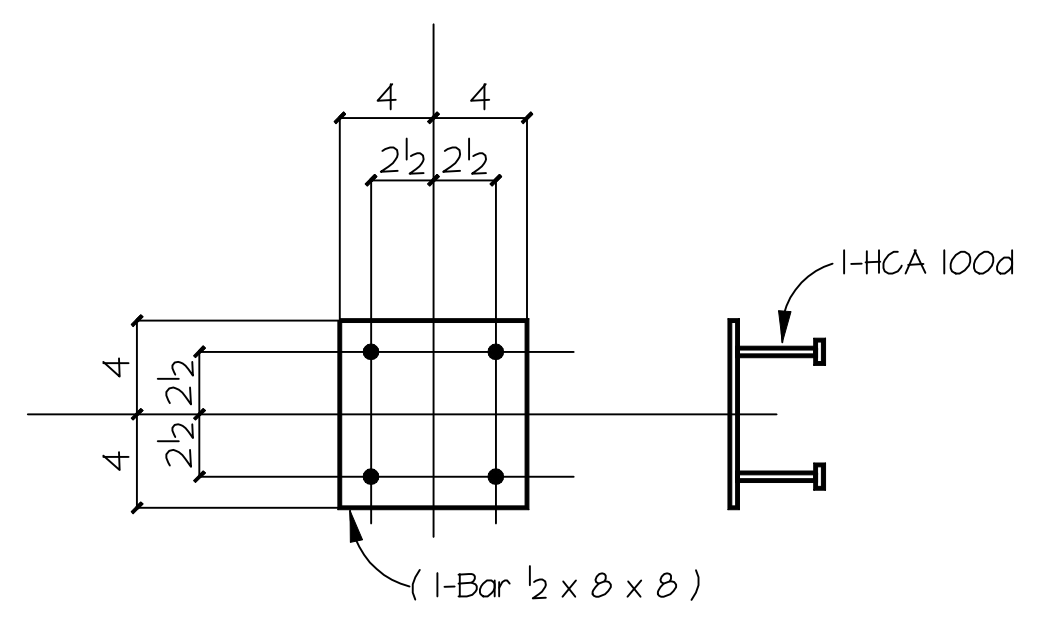
92 Plates MK:100PL4
Ref S2.1 Sect's A C C C D



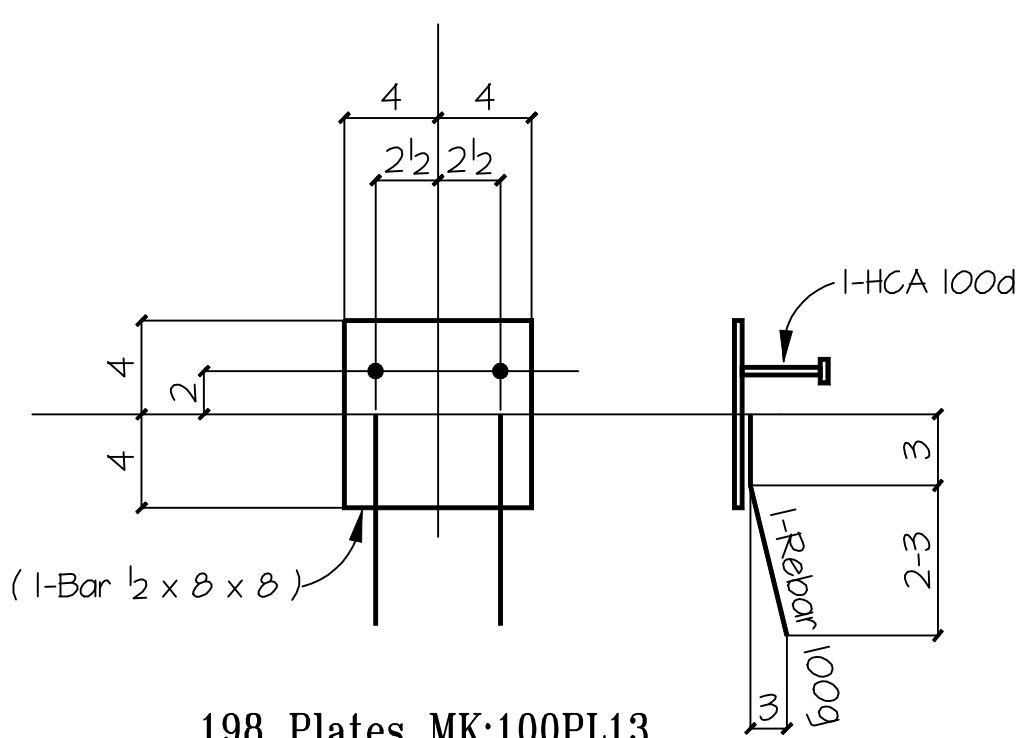
168 Plates MK:100PL10
Ref S1.1 Type B



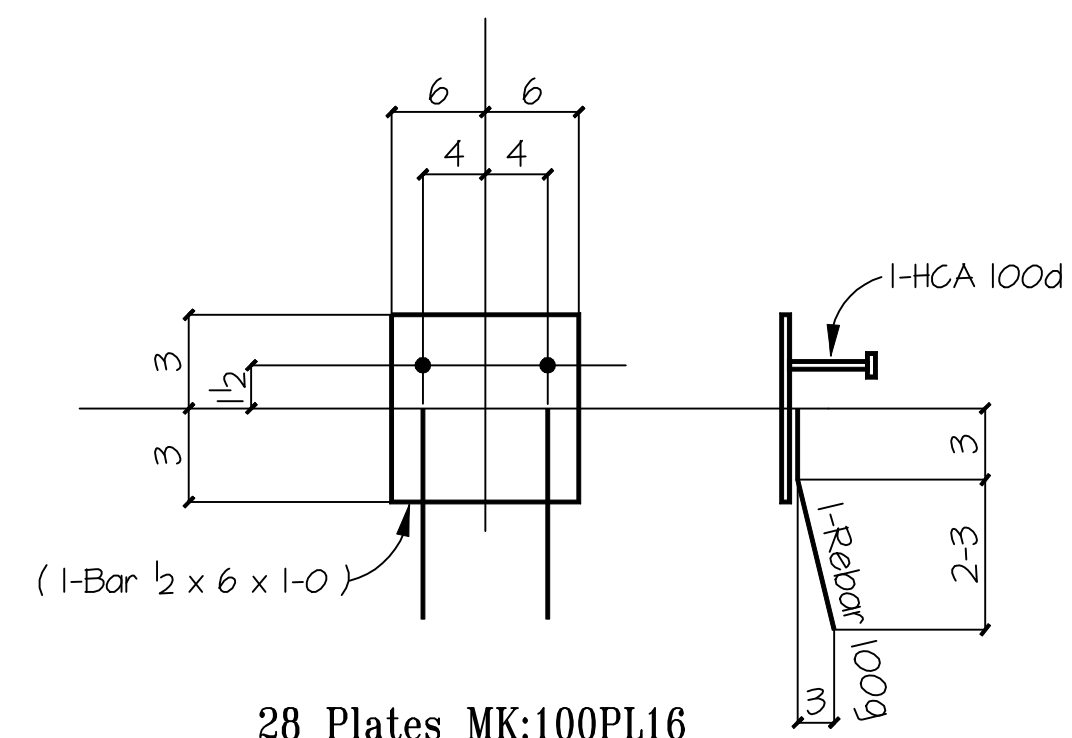
8 Plates MK:100PL11
Ref S1.1 Type C



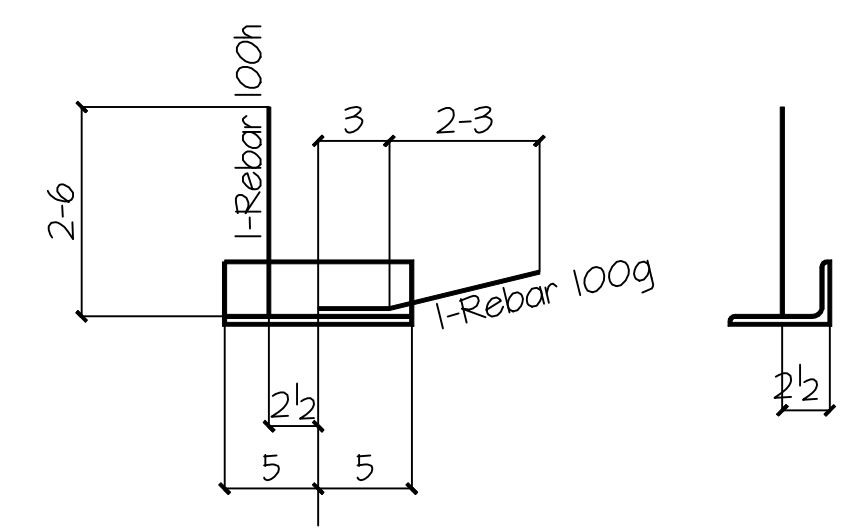
482 Plates MK:100PL12
Ref S1.1 Type F



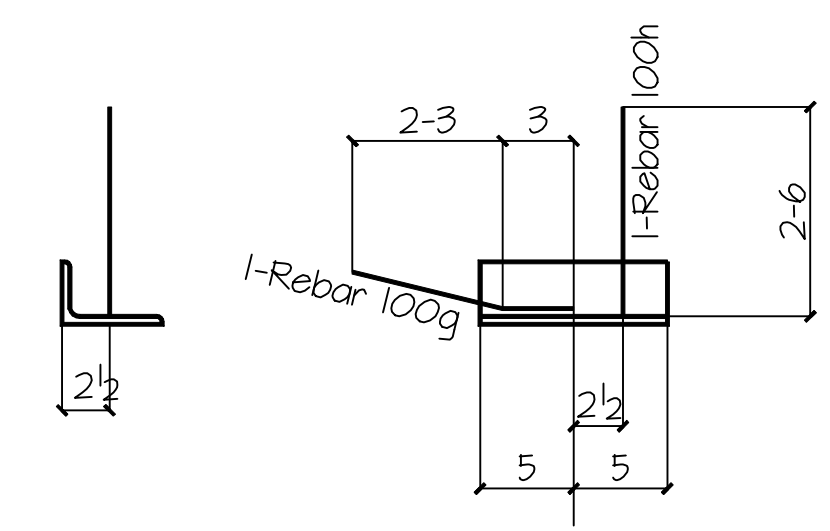
198 Plates MK:100PL13
Ref S1.1 Type F



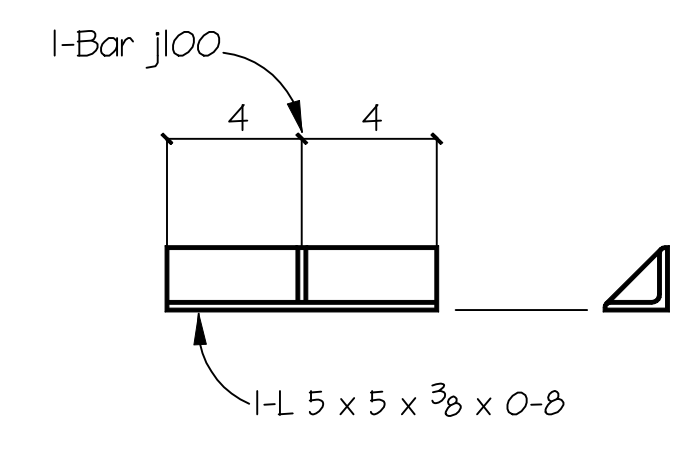
28 Plates MK:100PL16
Ref S1.1 Type N



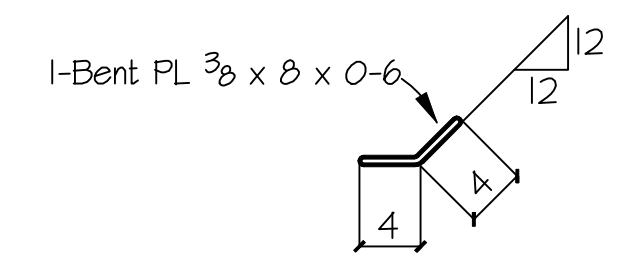
119 Plates MK:100PL14
Ref S1.1 Type K Right



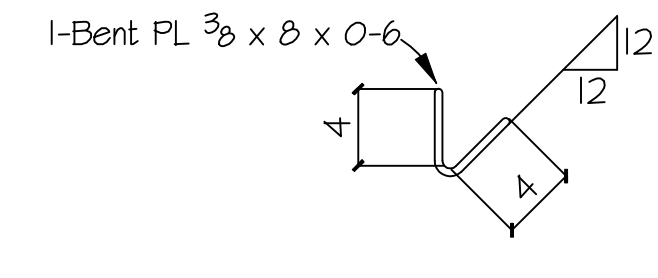
119 Plates MK:100PL15
Ref S1.1 Type K Left



258 Angle MK:100A1
Ref H/S2.1, 5.46



6 Bent PL MK:100BP1
Ref PP4/S1.2 "5.23"



6 Bent PL MK:100BP2
Ref PP4/S1.2 "5.23"

- BILL OF MATERIAL -				
MARK	QTY	DESCRIPTION	LENGTH	REMARKS
		Found Embed		
100PL1	30	Bar 3/4 x 12	1-0	
100a	120	HCA 3/4"φ	0-8	
100PL1	28	Bar 1/2 x 8	0-8	
100b	112	HCA 1/2"φ	0-8	
100PL3	92	Bar 1/2 x 6	0-10	
100c	184	HCA 1/2"φ	0-6	
100PL4	92	Bar 1/2 x 2	0-10	
		Titl Up Wall Embed		
100PL10	168	Bar 1/2 x 4	0-8	
100d	336	HCA 1/2"φ	0-4	
100PL11	10	Bar 1/2 x 12	2-0	
100e	80	HCA 3/4"φ	0-4	
100PL12	482	Bar 1/2 x 8	0-8	
100d	1928	HCA 1/2"φ	0-4	
100PL13	198	Bar 1/2 x 8	0-8	
100d	396	HCA 1/2"φ	0-4	
100g	396	Rebar #4	2-6	
100PL14	119	L 5 x 3 x 1/2	0-10	
100g	119	Rebar #4	2-6	
100h	119	Rebar #4	2-6	
100PL15	119	L 5 x 3 x 1/2	0-10	
100g	119	Rebar #4	2-6	
100h	119	Rebar #4	2-6	
100PL16	28	Bar 1/2 x 6	1-0	
100d	56	HCA 1/2"φ	0-4	
100g	56	Rebar #4	2-6	
		Joist Seats		
100A1	258	L 5 x 5 x 3/8	0-8	
J100	258	Bar 1/4 x 4 1/2	0-4 1/2	
		Bent Plates		
100BP1	6	PL 3/8 x 8	0-6	
100BP2	6	PL 3/8 x 8	0-6	
		Plain Mat'l		
100PM1	90	L 1 1/4 x 1 1/4 x 1/8	20-0	N/S2.1, 5.14
100PM2	8	L 4 x 4 x 3/8	0-6	D/S2.1, 5.13
100PM3	66	L 6 x 6 x 3/8	0-6	10/S1.2, 5.21
100PM4	0	Bar 1/2 x 8	1-0	P15/S1.2, 5.38
100PM5	56	Bar 1/2 x 4	0-1	P5/S1.2, 5.22
100PM6	60	L 2 x 3 x 1/4	20-0	A/S1.2, 5.12
100PM7	45	Bar 3/4 x 6	0-6	V/S2.1, 5.31

- PRINT RECORD -	
APPV'L	_____
SHOP	_____
FIELD	_____

- DESCRIPTION OF REVISIONS MADE TO DRAWING -	
1	_____
2	_____
3	_____

- UNLESS NOTED OTHERWISE -

None	ETOXX
OPEN HOLES	ELECTRODES
COATING	No Coating Plain Steel
MATERIAL GRADE	SHELL BE A36 U.N.O.
WF SHAPES	TUBES
CHANNELS	PIPES
REF DWG	_____
CHK.R	se

TSD TEXAS STEEL DETAILERS
Specializing In Miscellaneous Steel Detailing
Email us @ TSD-5A@Mail.EVI.Net

FABRICATOR	LS Steel
DETAILS OF	Embedments
PROJECT	Shops of Stone Oak
LOCATION	Stone Oak Parkway
CUSTOMER	WKM Companies, L.P.
ARCHITECT	DTM & Associates
ENGINEER	Belcker Martinez Engineering
DETAIL DR	06-04-05
APPV'D	_____
REV #	1
JOB #	024-05
DWG #	100