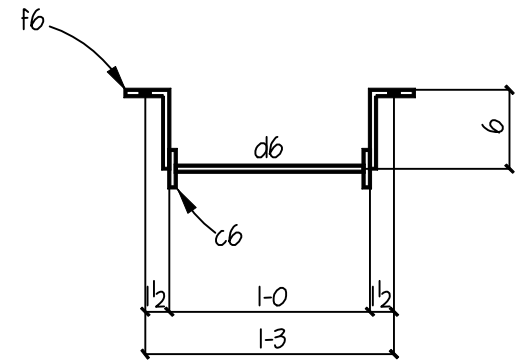
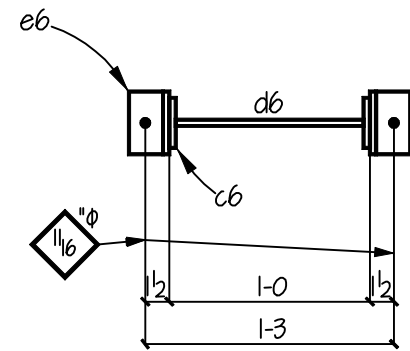


ONE LADDER MK:6L1

(1) A3.3 @ Grid Line 10.5 , 1.5
Ref Section 2/A7.9



SECTION A-A



SECTION B-B