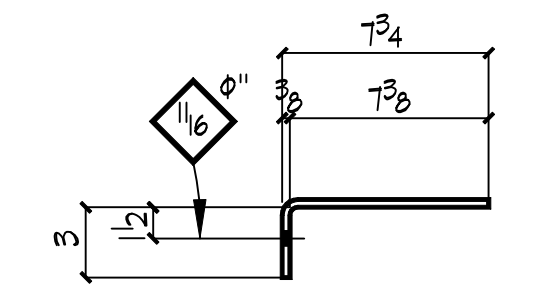
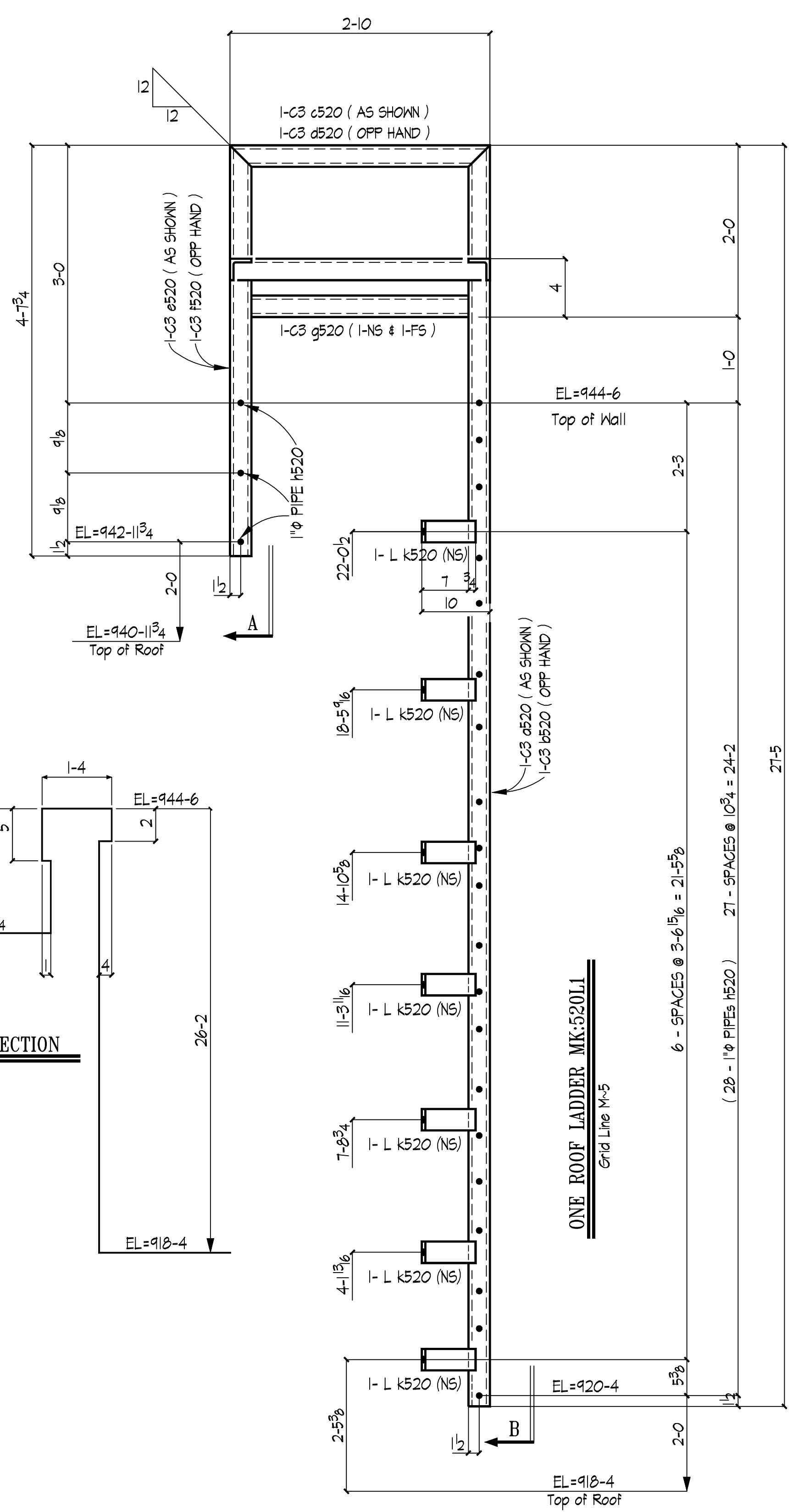
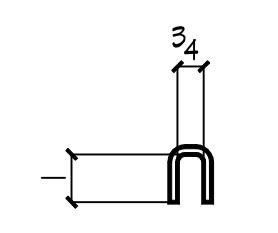


- BILL OF MATERIAL -

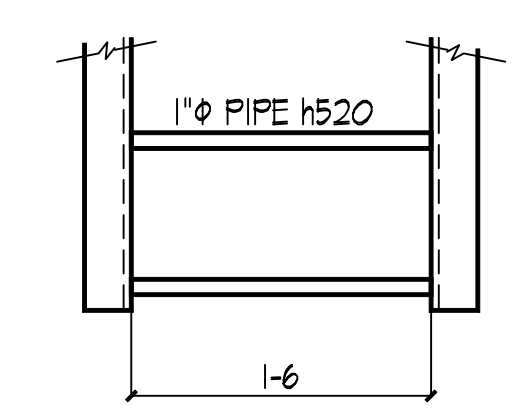
MARK	QTY	DESCRIPTION	LENGTH	GRADE	REMARKS
520L1	1	Roof Ladder 18"	27-3 1/2		
a520	1	C 3 x 4.1	27-3 1/2		
b520	1	C 3 x 4.1	27-3 1/2		
c520	1	C 3 x 4.1	2-10		
d520	1	C 3 x 4.1	2-10		
e520	1	C 3 x 4.1	4-7 3/4		
f520	1	C 3 x 4.1	4-7 3/4		
g520	2	C 3 x 4.1	2-4		
h520	31	1" φ PIPE	1-6		
k520	14	Bent PL 3/8 x 3	0-10 3/8		
m520	1	PL 1/2 x 2 1/2	4-0		
n520	2	HINGE 3x3"	AIW#12336		
p520	1	1/4" φ PIPE	0-3		
520L2	1	Roof Ladder 18"	21-0 3/4		
q520	1	C 3 x 4.1	21-0 3/4		
r520	1	C 3 x 4.1	21-0 3/4		
s520	1	C 3 x 4.1	2-10		
t520	1	C 3 x 4.1	2-10		
u520	1	C 3 x 4.1	4-0		
v520	1	C 3 x 4.1	4-0		
w520	2	C 3 x 4.1	2-4		
x520	21	1" φ PIPE	1-6		
y520	10	Bent PL 3/8 x 3	0-10 3/8		
z520	1	PL 1/2 x 2 1/2	4-0		
aa520	2	HINGE 3x3"	AIW#12336		
ab520	1	1/4" φ PIPE	0-3		



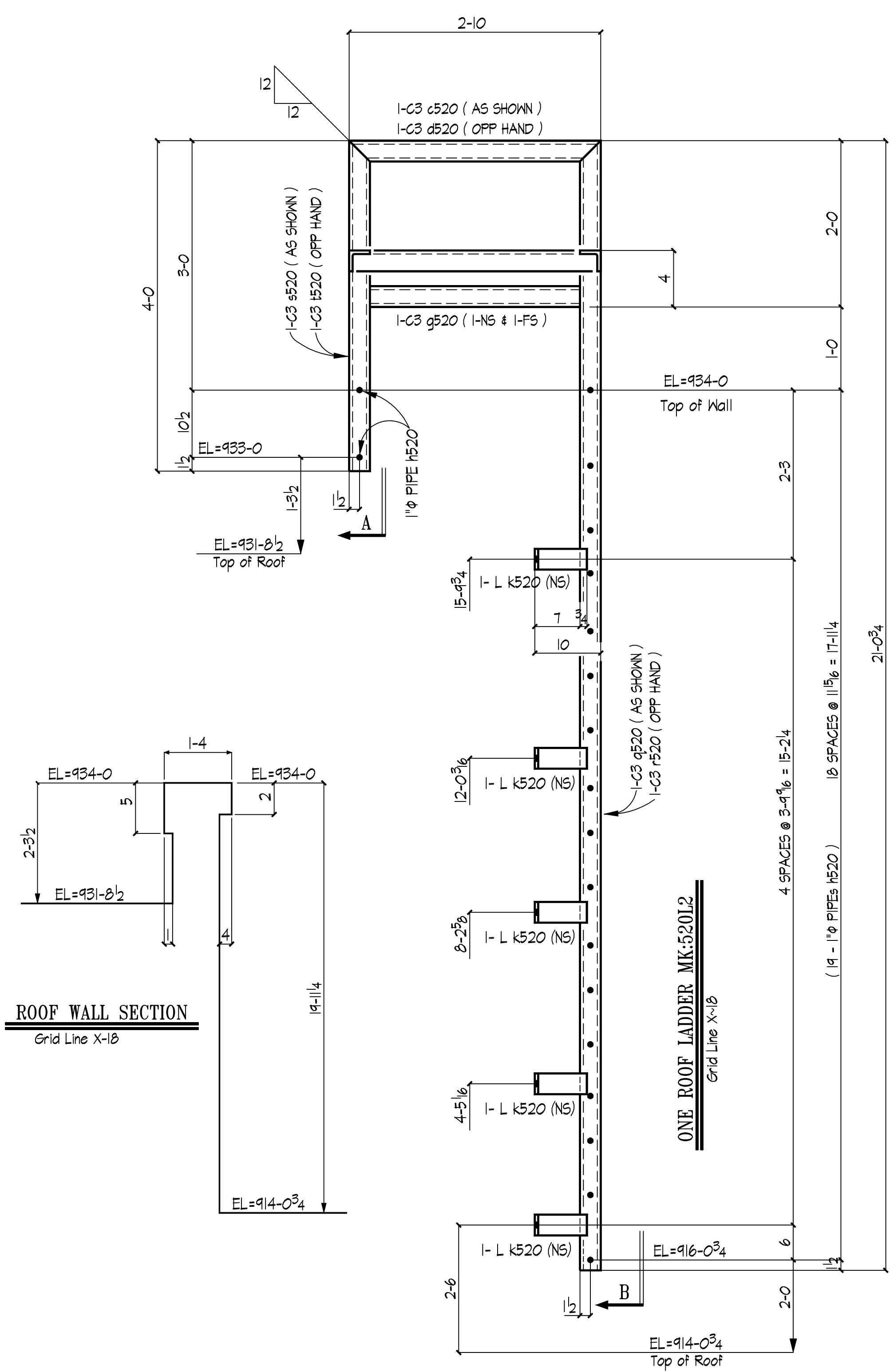
DETAIL of k520



DETAIL of p520

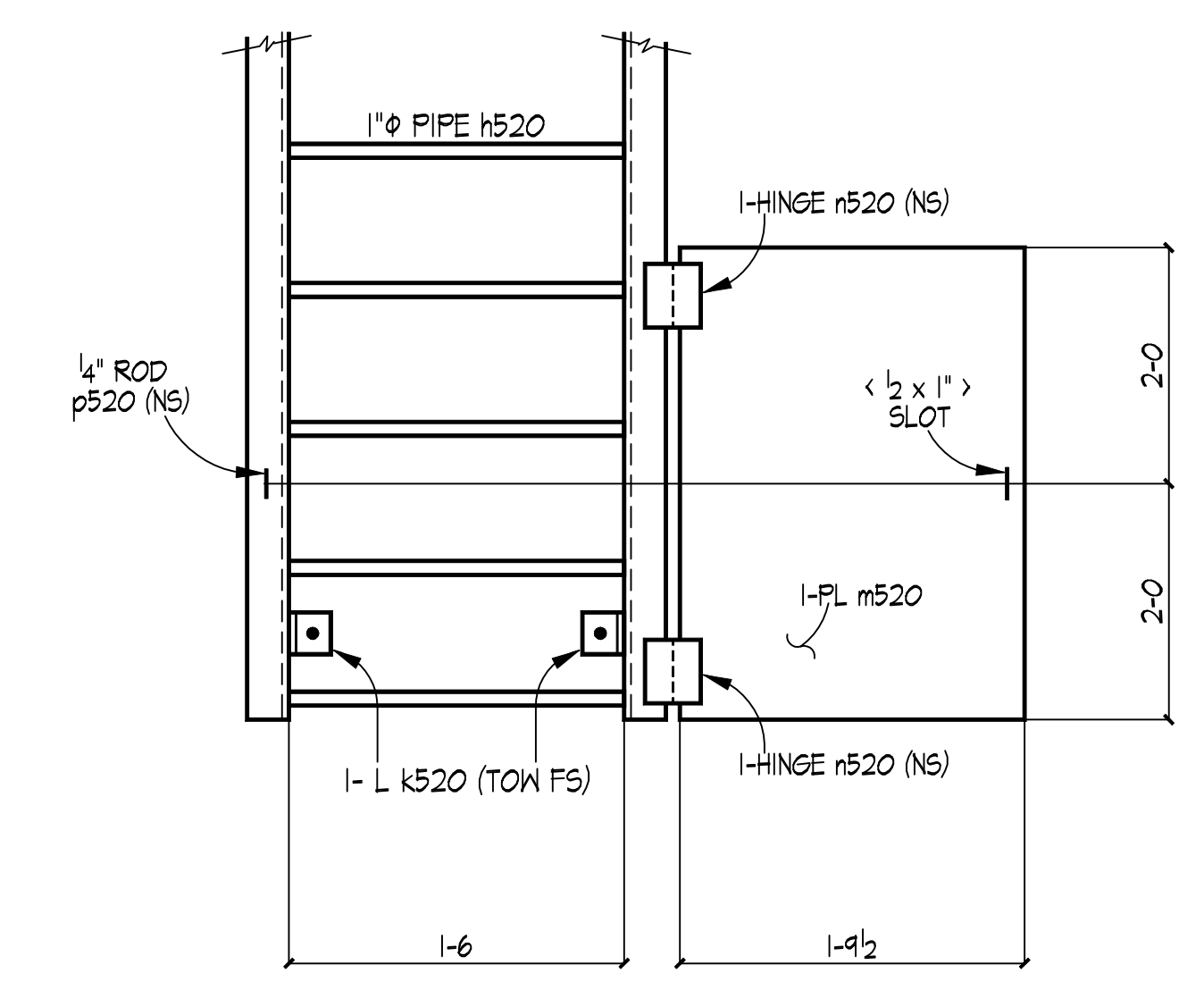


SECTION A



ROOF WALL SECTION
Grid Line X-18

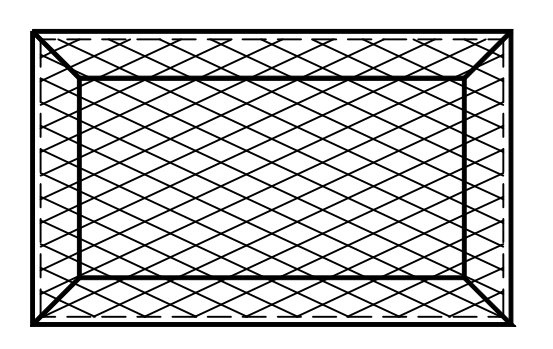
ONE ROOF LADDER MK:520L2
Grid Line X-18



SECTION B

ROOF WALL SECTION
Grid Line M-5

ONE ROOF LADDER MK:520L1
Grid Line M-5



LADDER NOTES:
Sheared Edges To Be Grinded Smooth.

APPROVAL	08-27-04		
TO SHOP	09-06-04		
TO FIELD	09-16-04		

1	Changed Candy Cane Dims	DY	10-11-04
2			
3			
4			

- UNLESS NOTED OTHERWISE -

11/16" φ OPEN HOLES ETOXX ELECTRODES

COATING: One S/C Red Oxide Primer

FABRICATOR: L5 Steel

DETAILS OF PROJECT: ROOF LADDERS

LOCATION: COMMUNITY BIBLE CHURCH

LOCATION: SAN ANTONIO TX

CUSTOMER: GF JORDAN, L.P.

ARCHITECT: ENGINEER

DETAIL: DY 10-11-04 APP'V: REV: JOB # 042-03

CHK.R: SG DWG # 520