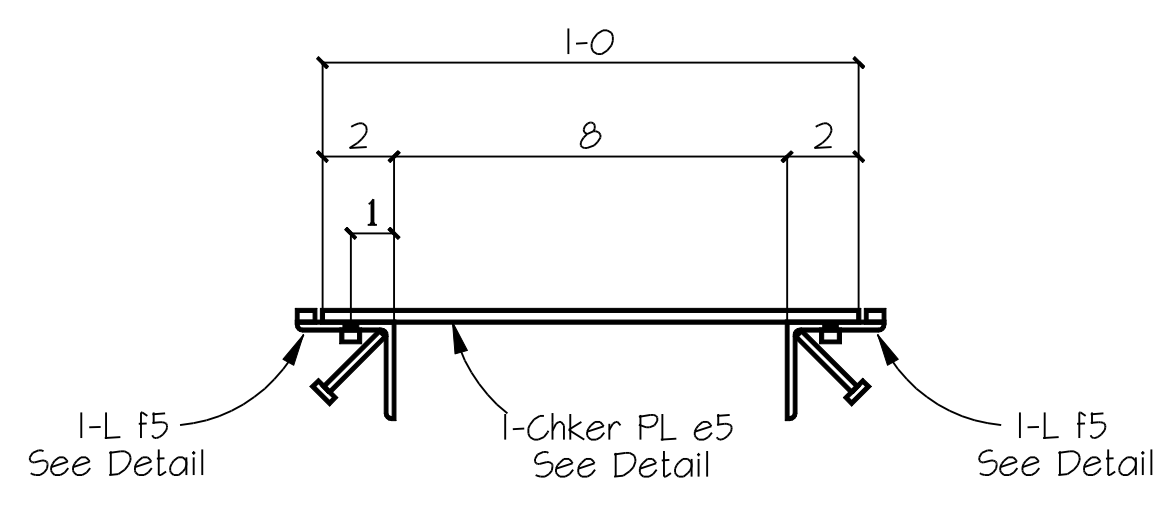
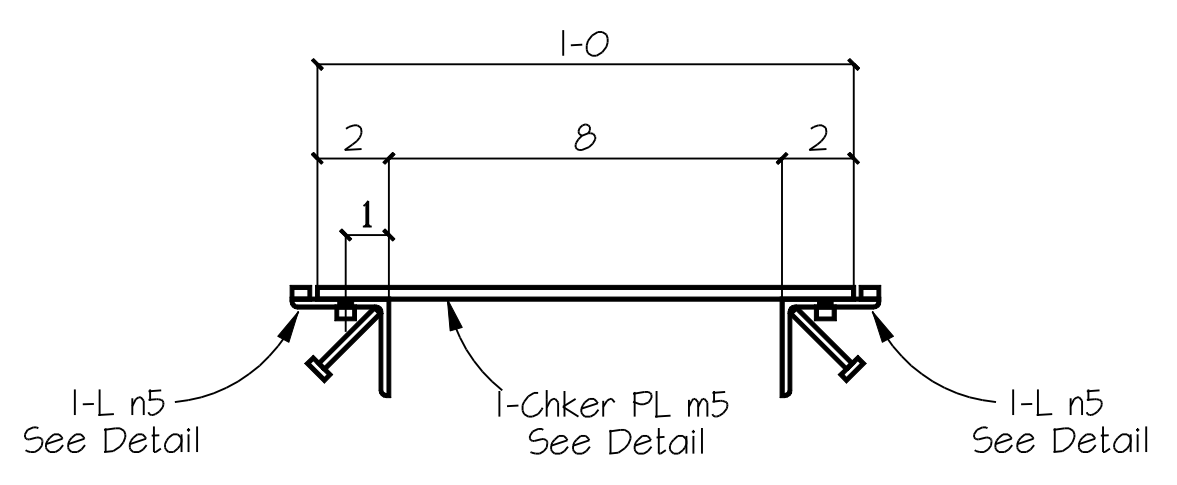


- BILL OF MATERIAL -

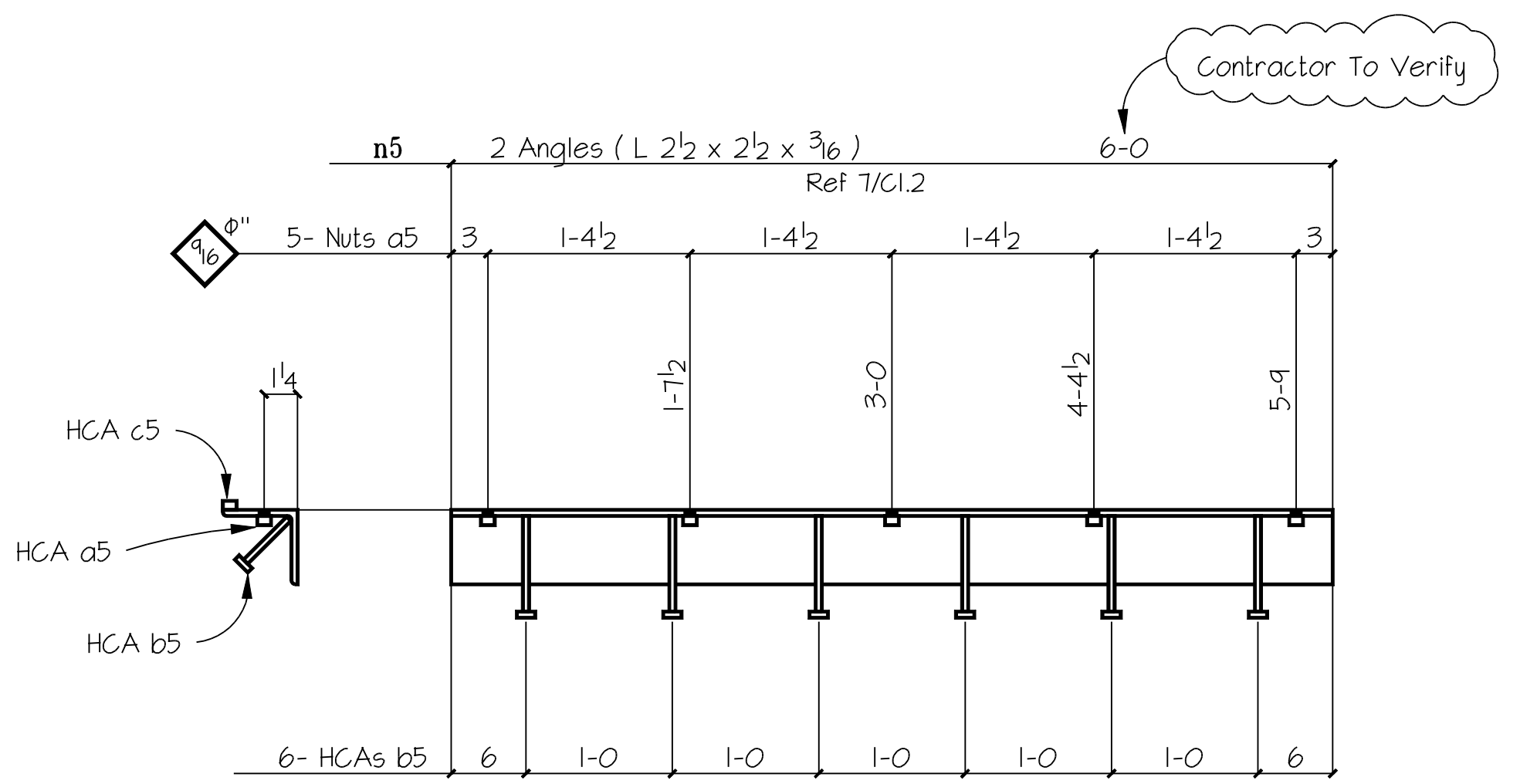
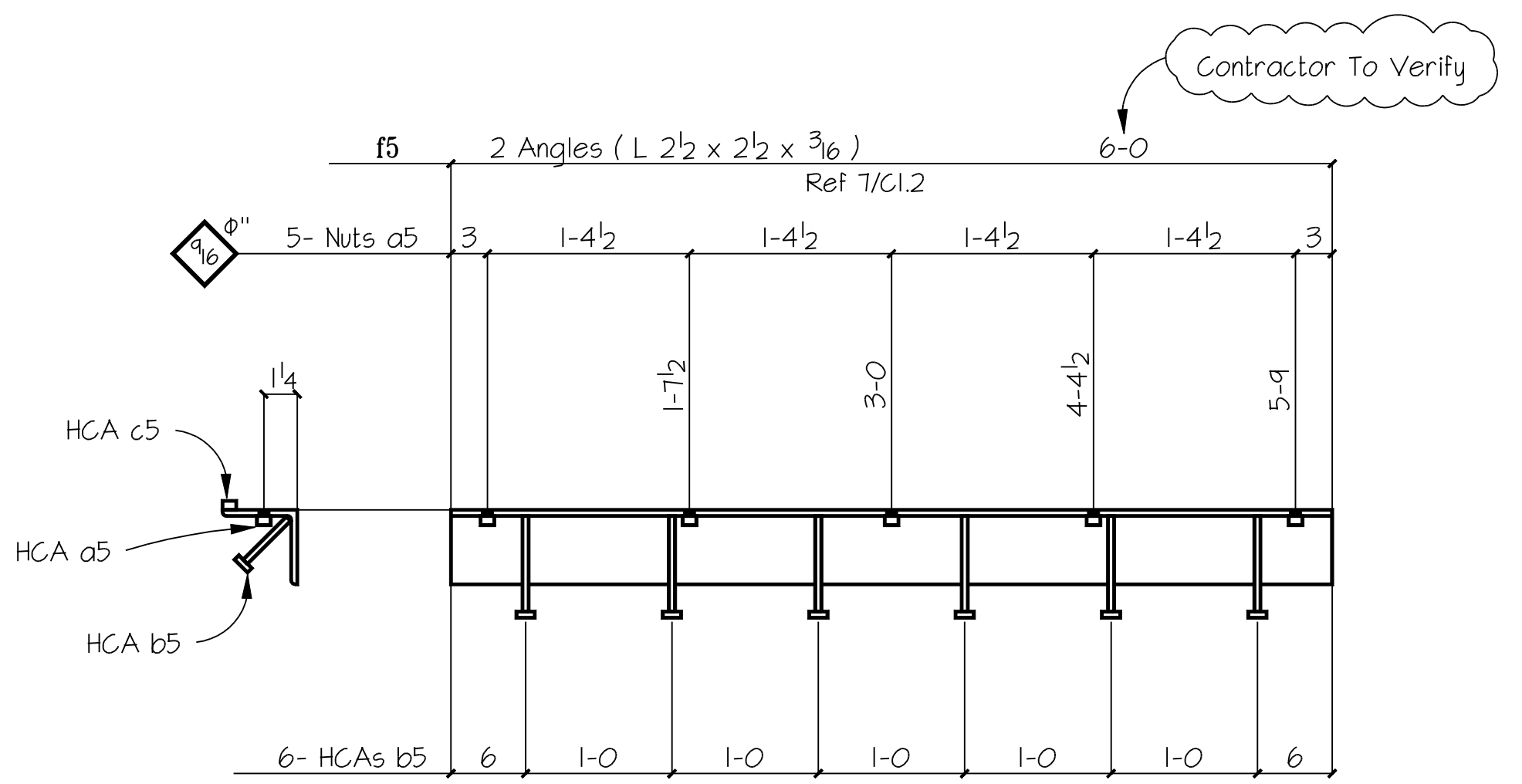
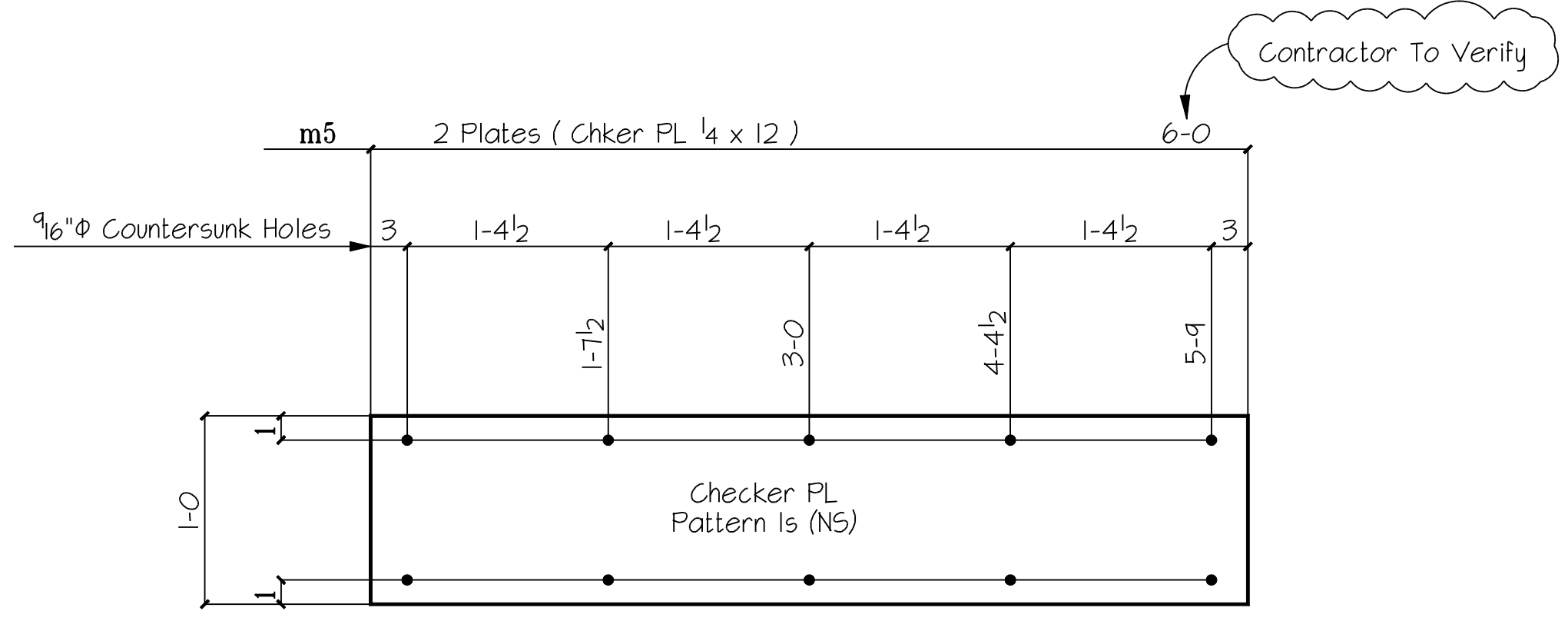
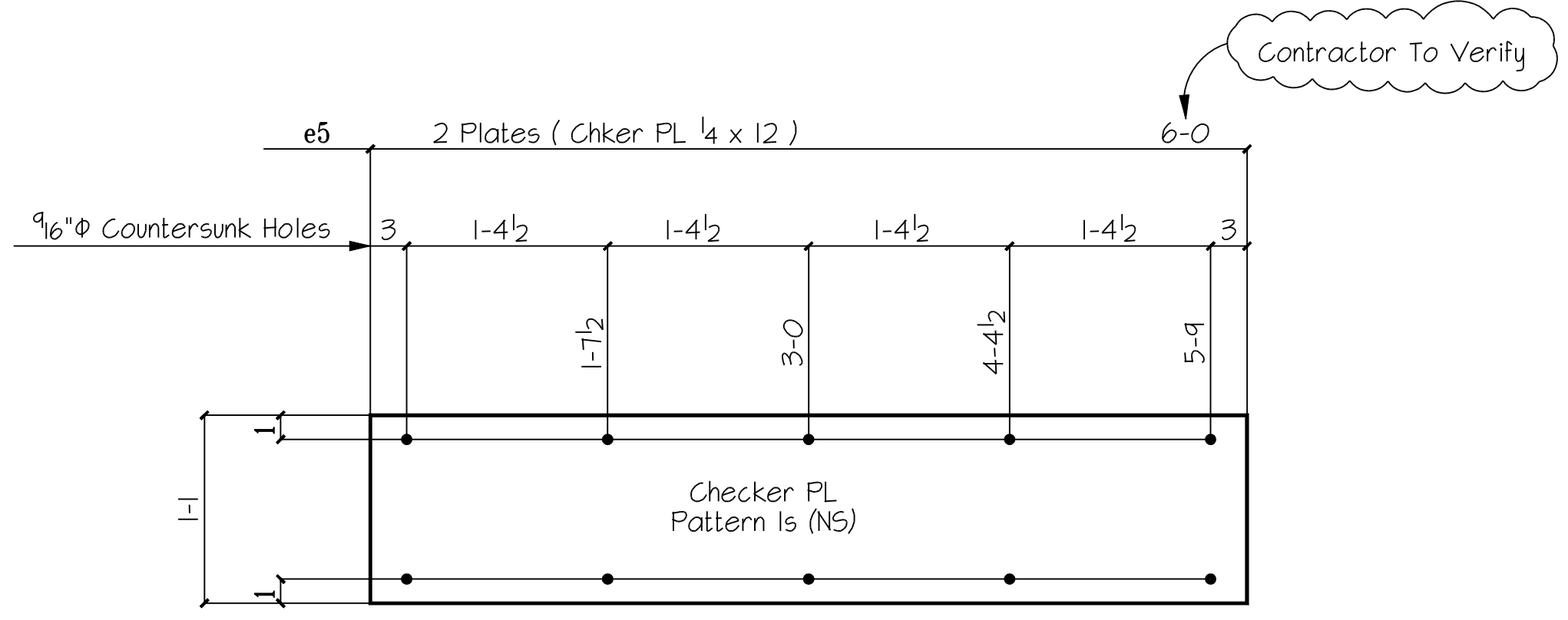
MARK	QTY	DESCRIPTION	LENGTH	REMARKS
55B1	2	Sidewalk Box		
e5	2	Chker PL 1/4 x 13	6-0	Verify
f5	2	L 2 1/2 x 2 1/2 x 3/16	6-0	Verify
a5	10	Nut 1/2"φ		
b5	12	HCA 1/2"φ	0-4	
c5	2	Bar 1/4 x 3/8	6-0	
55B2	2	Sidewalk Box		
m5	2	Chker PL 1/4 x 13	6-0	Verify
n5	2	L 2 1/2 x 2 1/2 x 3/16	6-0	Verify
a5	10	Nut 1/2"φ		
b5	12	HCA 1/2"φ	0-4	
c5	2	Bar 1/4 x 3/8	6-0	



1 Sidewalk Box MK:5SB1
Ref 7/C1.2 (2) @ North Side Walk



1 Sidewalk Box MK:5SB2
Ref 7/C1.2 (2) @ South Side Walk



This Sheet Was Sent		Stamp Use Only
For Approval on		
For Shop on		
For Field on		

- SHOP NOTE:**
1. DUPLICATION OF TEMPLATE MARKS ALSO INDICATES DUPLICATION OF WELDING
 2. PAINT ERECTION MARK ON LEFT END AS DETAILED IN A VERTICAL POSITION
 3. ALL TAIL DIMS. ARE TO TOP OF BASE PLATE OR SQUARE END OF BEAM
 4. ALL SHOP WELDS ARE 3/16" FILLET UNLESS NOTED
 5. ALL WING PLATES HAVE 13/16 x 1 HORIZ. SLOTS.
 6. ALL CLIP ANGLES HAVE 13/16 x 1 HORIZ. SLOTS IN BOTH LEGS UN.
 7. ALL CLIP ANGLES MARKED bx TO BE PUNCHED WITH A GAGE OF 2 3/8" IN BOTH LEGS

- UNLESS NOTED OTHERWISE -

HOLES DIA 9/16" UNO
COATING Hot Dip Galvanized

MATERIAL GRADE SHELL BE A36 U.N.O.
WF SHAPES A992 TUBES A50
CHANNELS A992 PIPES A53

Details of: Miscellaneous Steel
Project: Village Inn Restaurant
Location: Pat Booker Road # 1-35
Customer: _____
Architect: ?
Engineer: ?

- DESCRIPTION OF REVISIONS MADE TO DRAWING -	
1	
2	
3	

Drawn By DY Date 07-13-05
Check By _____ Date _____
REF DWG. _____

CUST PO No.	JOB No.	SHT No.	REV No.
	2416	5	0

1" Inside Rad On Cuts & Blocks	Fab Ends W Mill Camber Up	Tape All Dims To Cut End	Use When Plate Is Shown w/ Clip