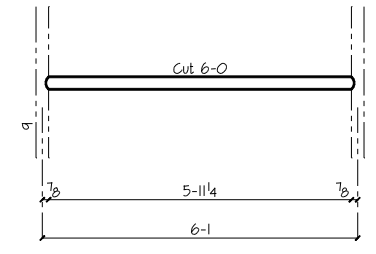
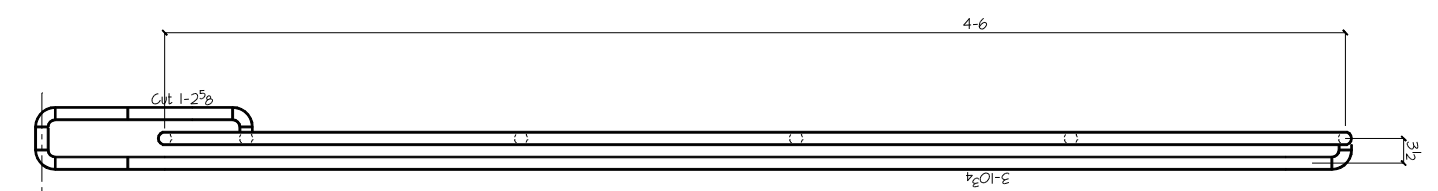
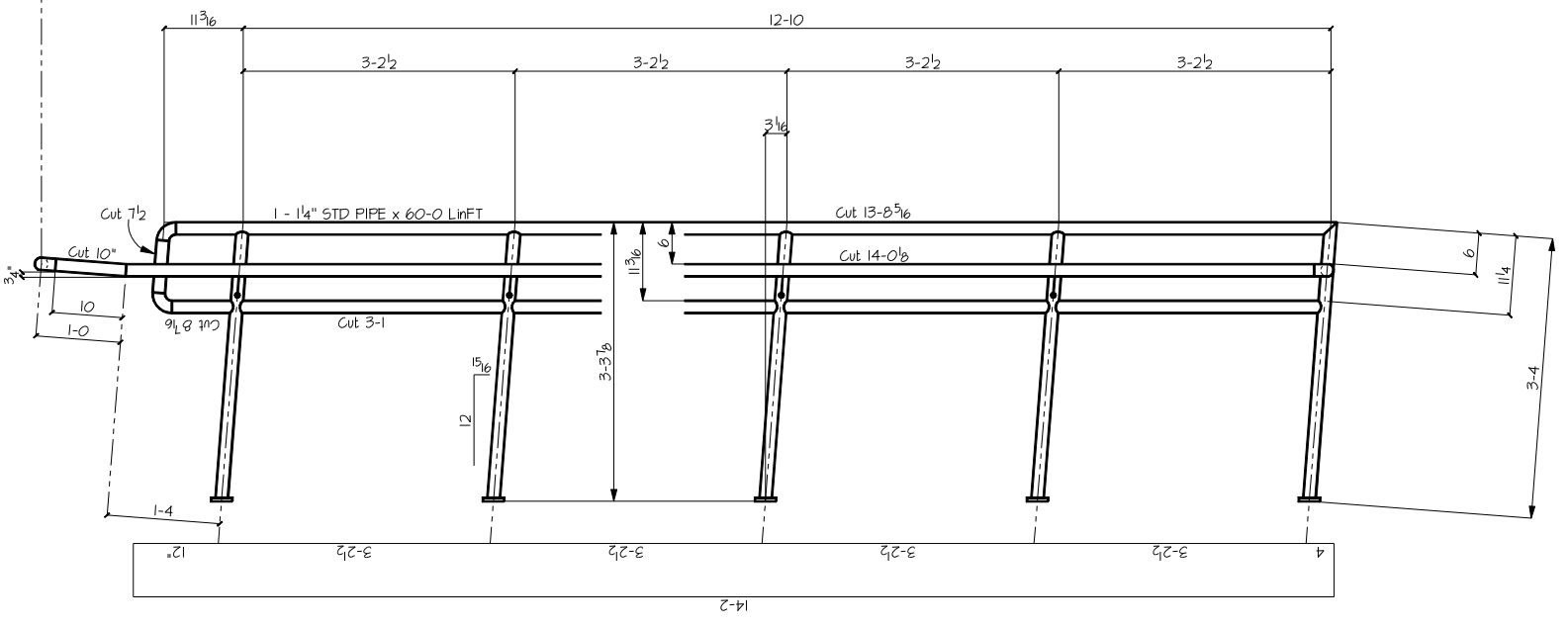


- BILL OF MATERIAL -

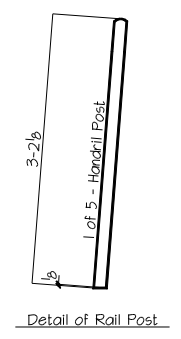
MARK	QTY	DESCRIPTION	LENGTH	REMARKS
61HR1	1	1 1/4" Pipe	60-LinFT	
Elbow	6	555 # 11490R		
Base PL	5	555 # WT 6B		
Bent Rod	5	1/2" Bent Rod 3x3		
61HR2	2	1 1/4" Pipe	12-LinFT	
61HR3	1	1 1/4" Pipe	20-LinFT	
Elbow	3	555 # 11490R		
Base PL	2	555 # WT 6B		
Bent Rod	1	1/2" Bent Rod 3x3		
61HR4	1	1 1/4" Pipe	18-LinFT	
Elbow	2	555 # 11490R		
Wall Brk	5	555 # SC 35B		
Buy List				
Pipe	6	1 1/4" Pipe	20-0	
Elbow	12	555 # 11490R		
Base PL	8	555 # WT 6B		
Bent Rod	6	1/2" Bent Rod 3x3		
Wall Brk	6	555 # SC 35B		
Bolts	40	7/16" Expansion Bolt	0-3	



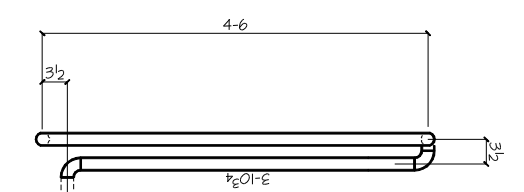
2 Handrail MK: 61HR2
Fabricate As Shown



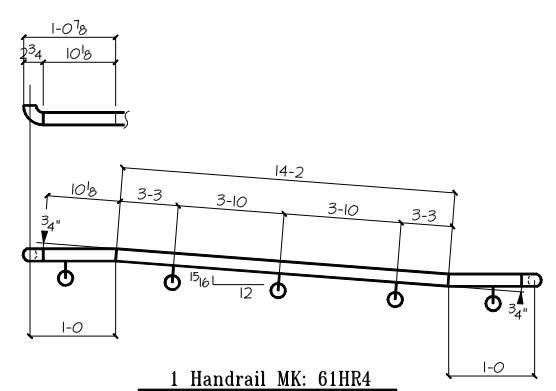
1 Handrail MK: 61HR1
Fabricate As Shown



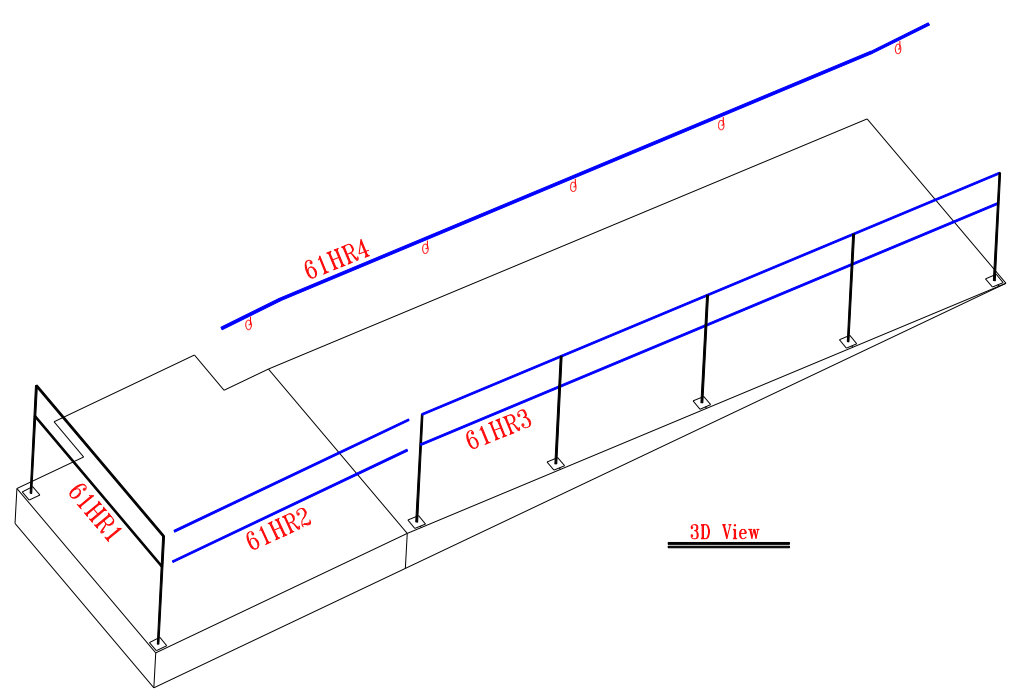
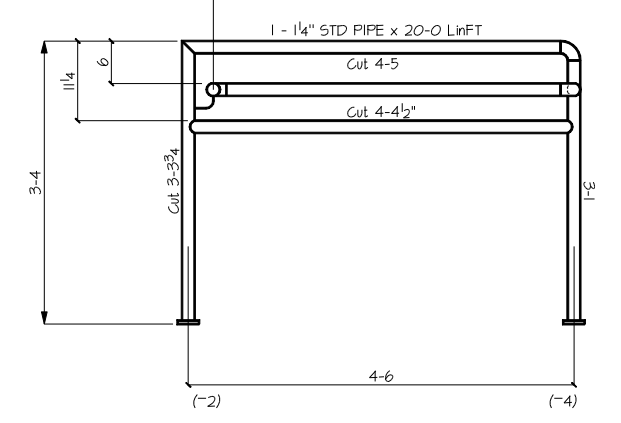
Detail of Rail Post



1 Handrail MK: 61HR3
Fabricate As Shown



1 Handrail MK: 61HR4
Fabricate As Shown



3D View

Usable Template Mark Letters
abcdefghijklmnopqrstuvwxyz
P= Sash+RI.dwg

MATERIAL GRADE SHELL BE	A36	U.N.O.	Diego Fabel
WF SHAPES	A992	TUBES A500	
CHANNELS	A992	PIPES A501 or A53	
COATING	One S/C Red Oxide Primer		
DETAILS OF Hand Rails			
CUSTOMER			
ENGINEERING			
ARCHITECT			
PROJECT			Stay Bridge Suites
LOCATION			N Loop 1604 SA TX
APPROVAL	DR	6-18-10	JOB #
?	?	6-18-10	0902
?	?	?	SHEET #
?	?	?	D61