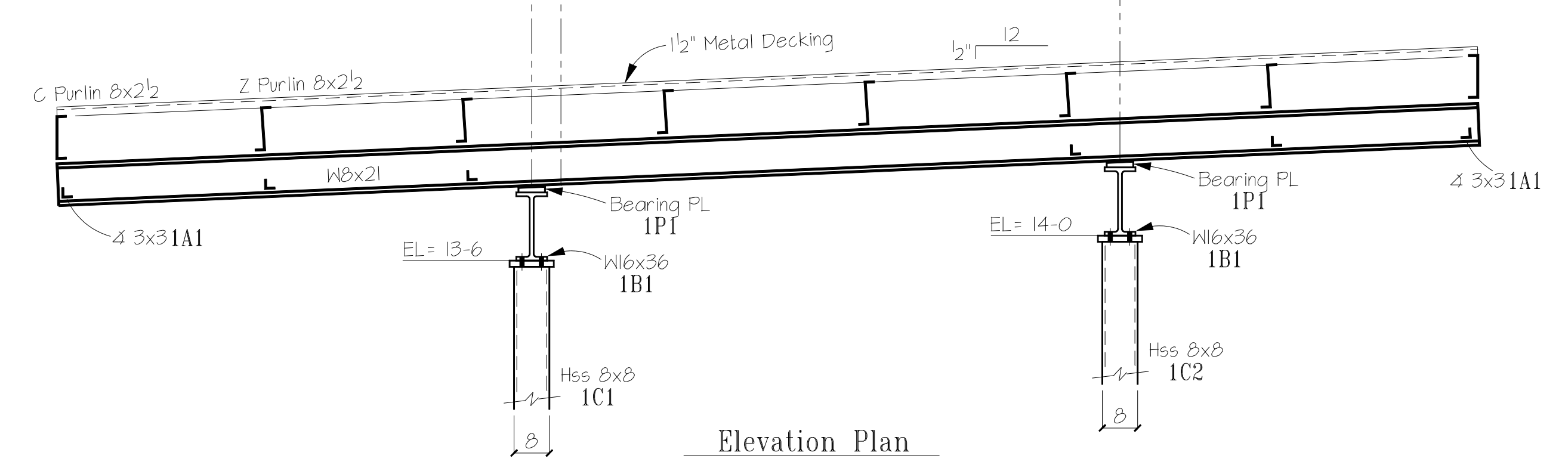
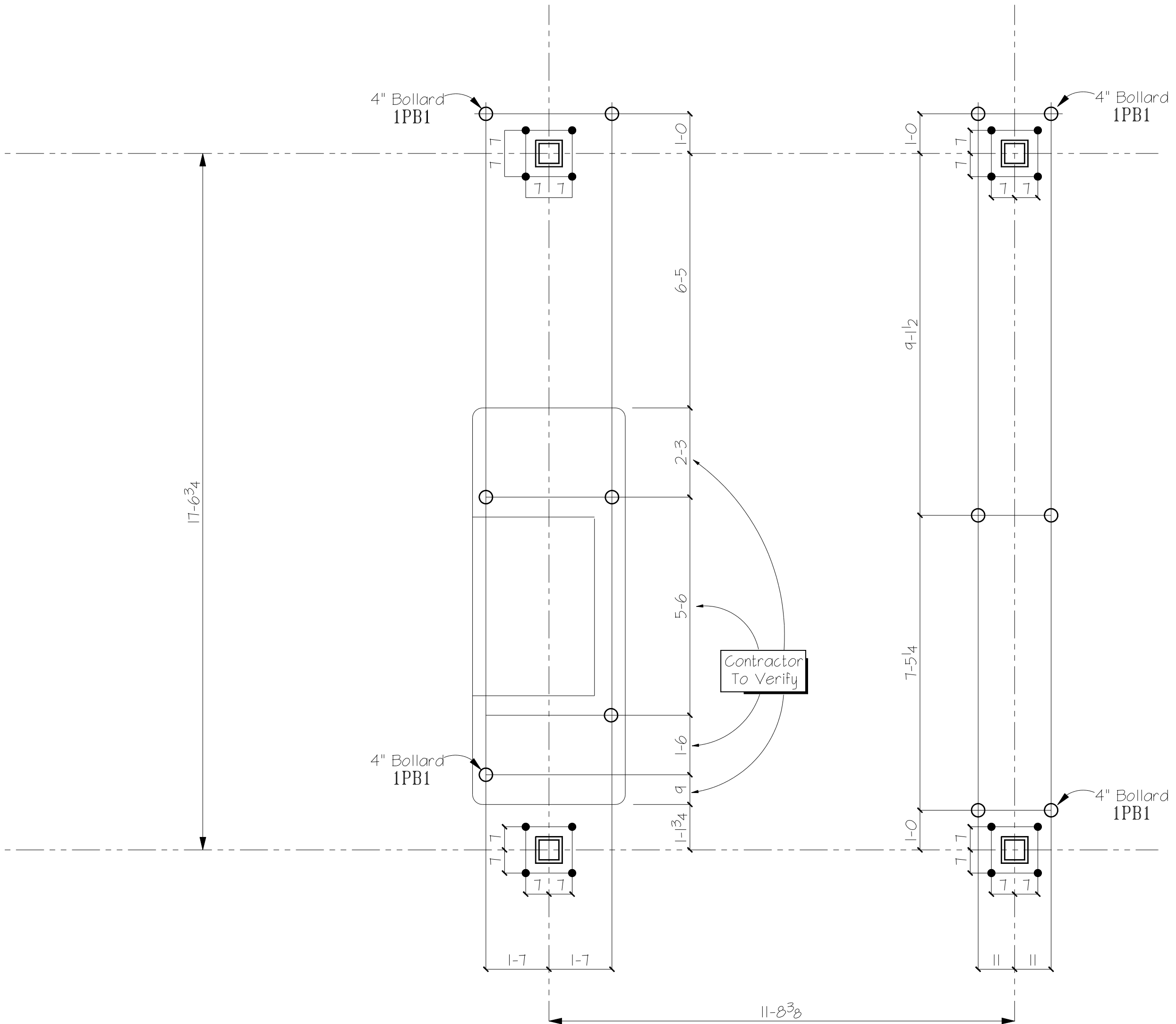


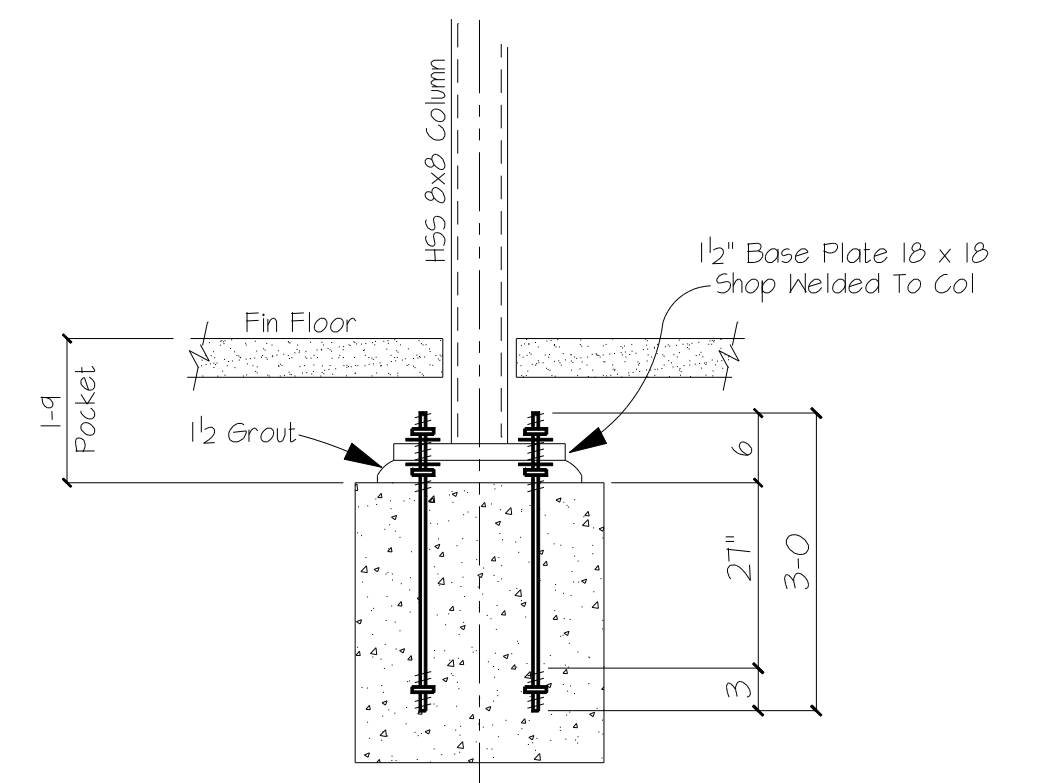
Framing Plan



Elevation Plan



Anchor Bolt Plan



Column Pocket

FN= wells Fargo.dwg

- DESCRIPTION OF REVISIONS MADE TO DRAWING -				
NO.	REVISION DESCRIPTION	DATE	MADE BY	CHK BY
1				
2				
3				

REF DWG S1.0 & S2.0

MATERIAL GRADE	SHELL BE	A36	U.N.O.
WF SHAPES	A992	TUBES	A500
CHANNELS	A992	PIPES	A501 or A53
COATING	One S/C Red Oxide Primer		
	13/16"	1/4"	E70xx
	OPEN HOLE	FILLET	ELECTRODES
APPROVAL	TO SHOP		

**J&D** Structural Fabricators

DETAILS OF Anchor Bolt & Framing Plan

CUSTOMER Wells Fargo Bank

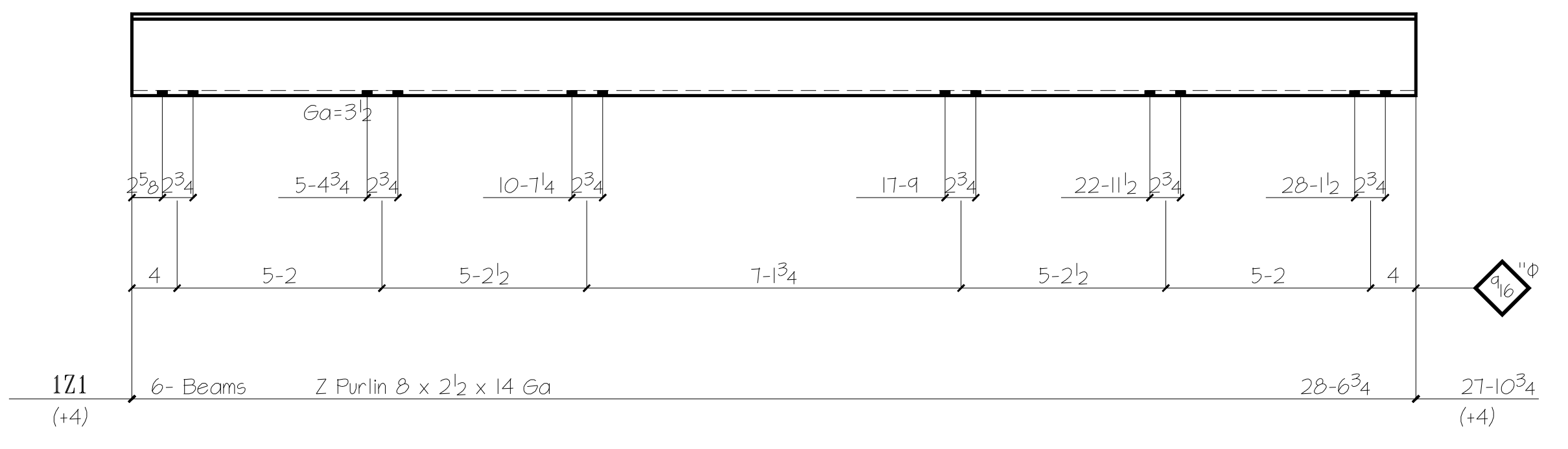
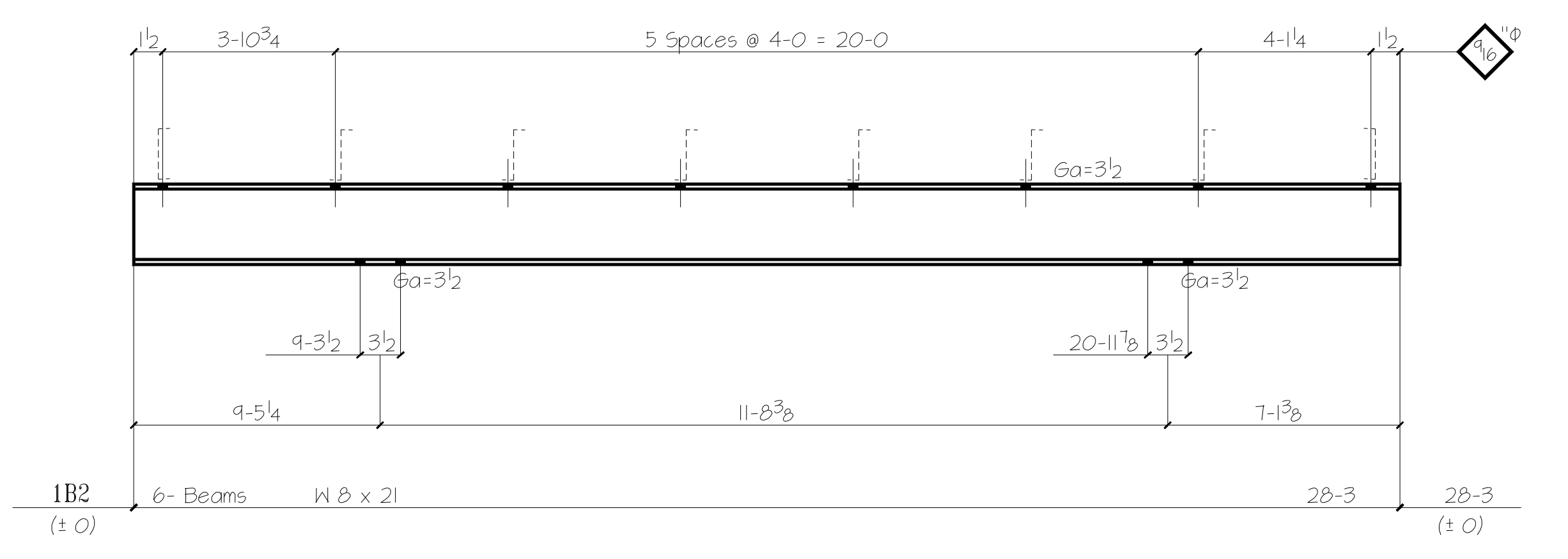
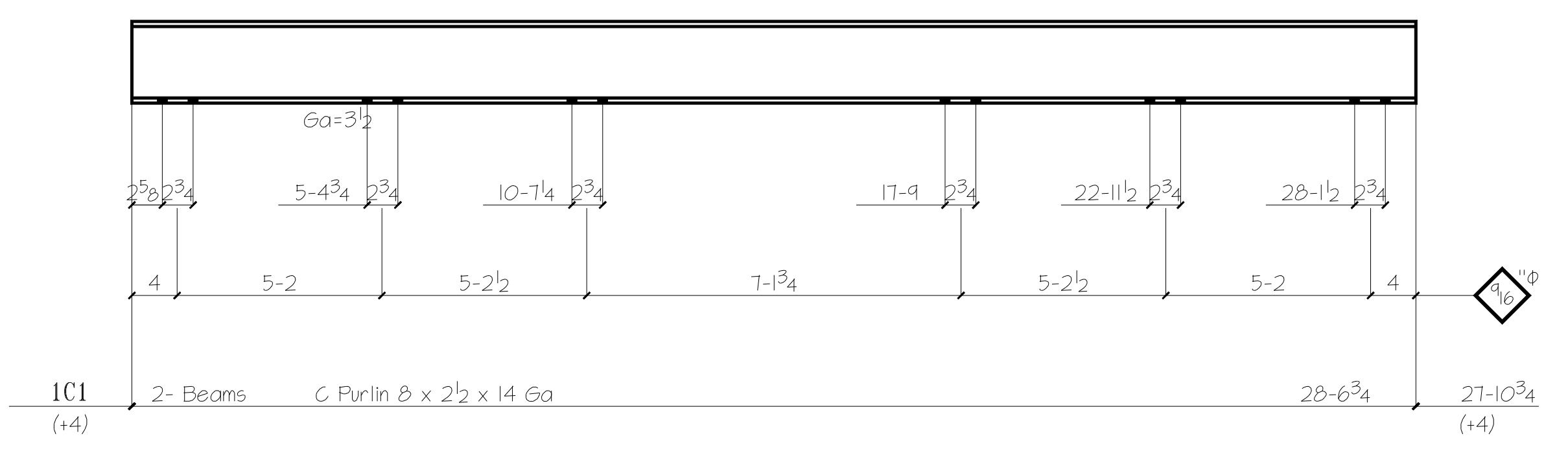
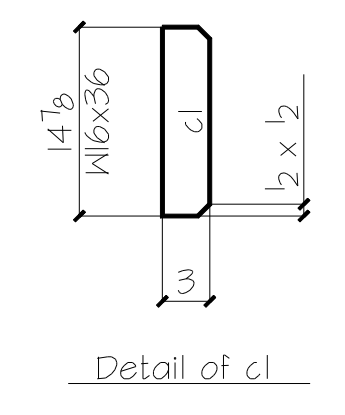
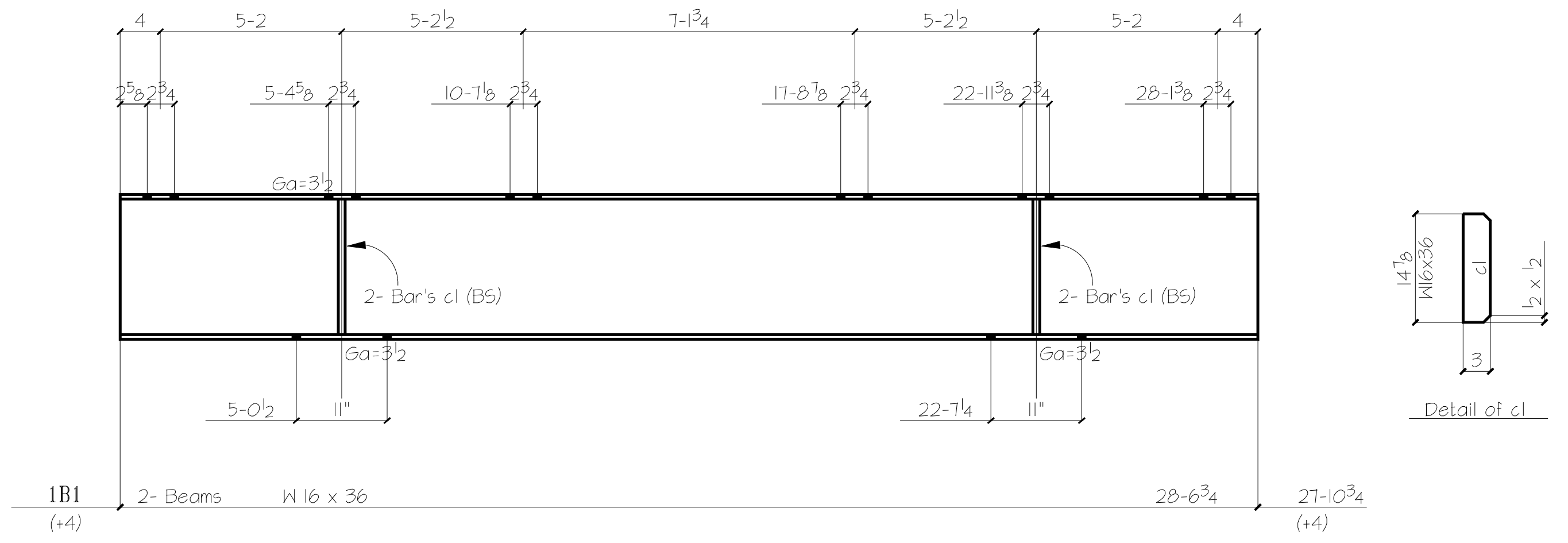
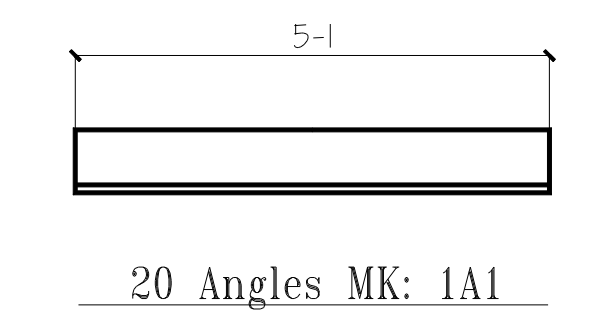
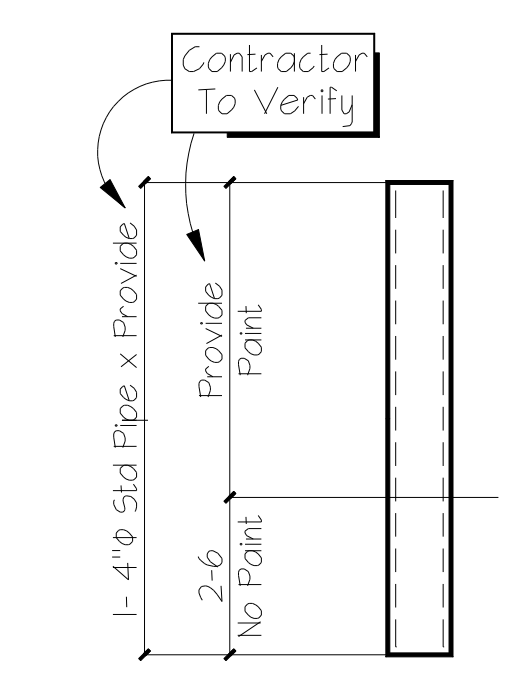
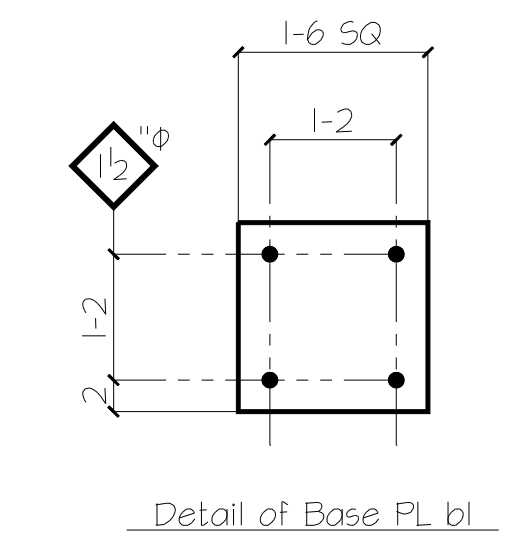
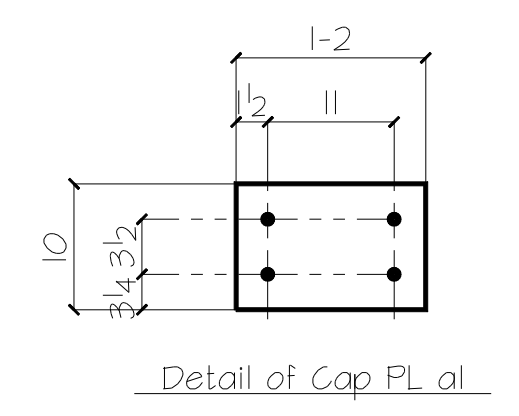
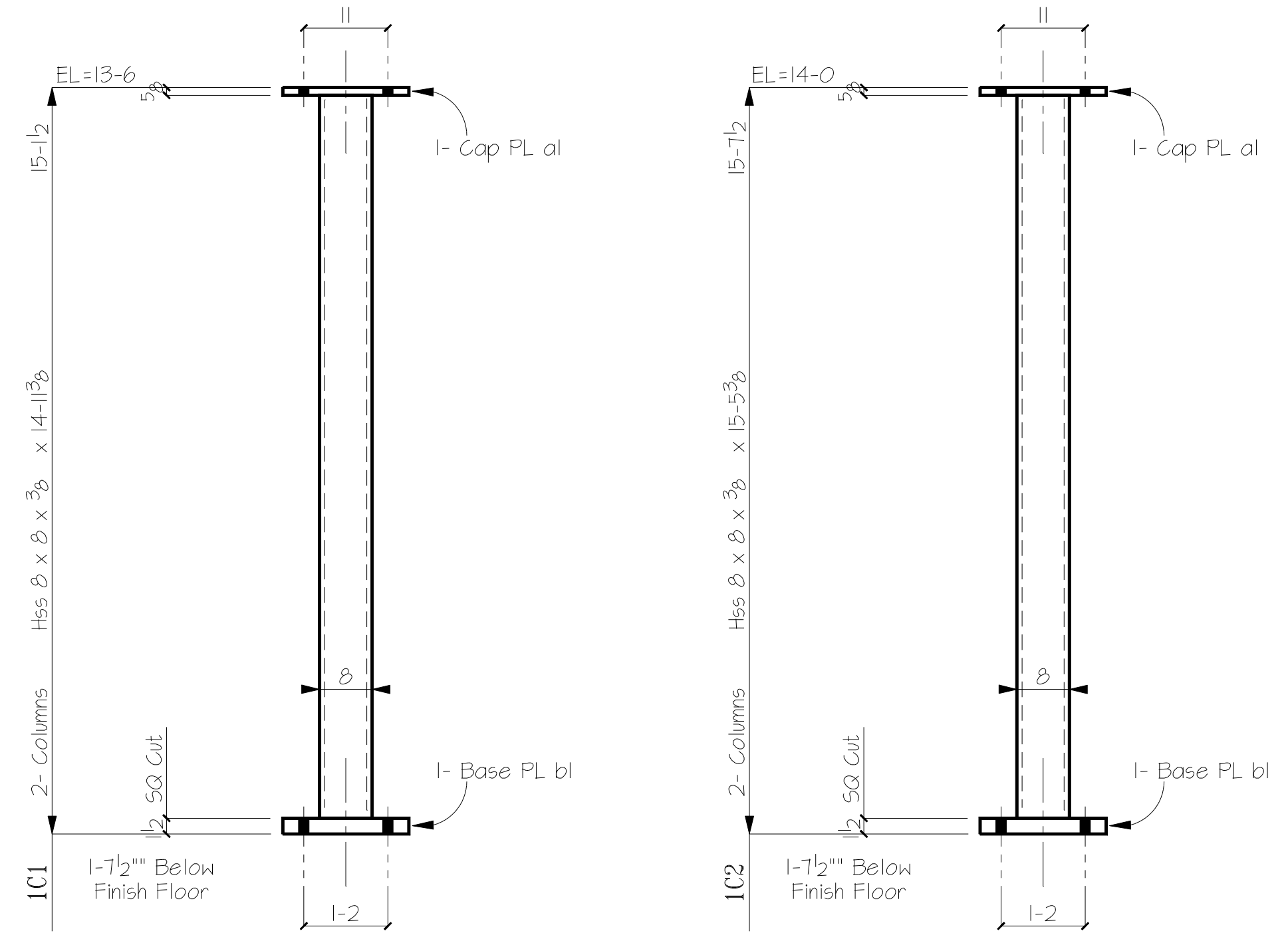
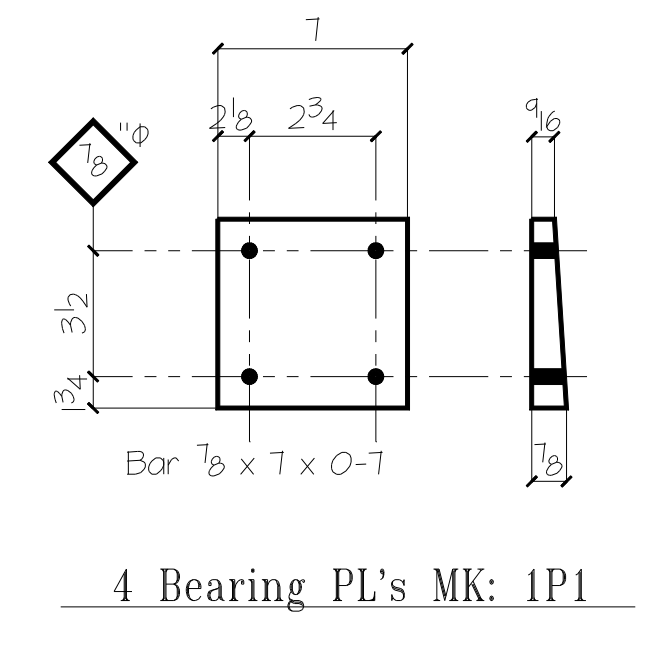
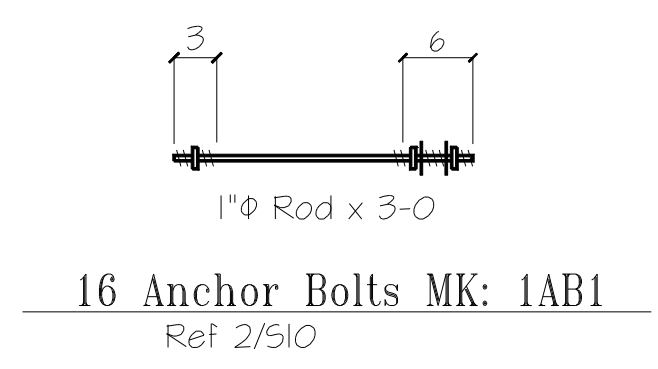
ENGINEERS

PROJECT Canopy Additions

LOCATION

DETAIL	DY	5-18-10	JOB #	10010
CHK.R	tsd	5-18-10	SHEET #	E1

- BILL OF MATERIAL -				INSPECTION	
MARK	QTY	DESCRIPTION	LENGTH	WELDER	FINALE
IAB1	16	1" $\phi$ Threaded Rod	3-0		
IP1	4	Bar $7/8$ x 7	0-7		
IC1	2	Hss $\delta$ x $\delta$ x $3/8$	14-11 $3/8$		
al	2	Bar $5/8$ x 10	1-2		
bl	2	PL $1/2$ x 18"	1-6		
IC2	2	Hss $\delta$ x $\delta$ x $3/8$	15-5 $3/8$		
al	2	Bar $5/8$ x 10	1-2		
bl	2	PL $1/2$ x 18"	1-6		
IB1	2	W 16 x 36	28-6 $3/4$		
cl	8	Bar $1/4$ x 3	1-2 $7/8$		
IB2	6	W $\delta$ x 21	28-3		
IC1	2	C Purlin $\delta$ x 2 $1/2$ x 14Ga	28-6 $3/4$		
I21	6	Z Purlin $\delta$ x 2 $1/2$ x 14Ga	28-6 $3/4$		
IA1	20	4 3 x 3 x $5/16$	5-1		
IPB1	12	4" Std Pipe	Provide		
ID1	9	1/2" Metal Decking	28-3		



Usable Template Mark Letters  
a b c d e f g h i j k l m n o p q r s t u v w x y z  
File: wells Fargo.dwg

- DESCRIPTION OF REVISIONS MADE TO DRAWING -				
1				
2				
3				
	REVISION DESCRIPTION	DATE	MADE BY	CHK BY
	REF DWG 51.0 & 52.0			

MATERIAL GRADE SHELL BE	A36	U.N.O.
WF SHAPES	A992	TUBES A500
CHANNELS	A992	PIPES A501 or A53
COATING	One S/C Red Oxide Primer	
13/16" $\phi$ OPEN HOLE	3/16" FILLETS	E70xx ELECTRODES
APPROVAL	TO SHOP	

**J&D** Structural Fabricators  
 DETAILS OF Column & Beams & Purlins  
 CUSTOMER Wells Fargo Bank  
 ARCHITECT  
 PROJECT Canopy Additions  
 LOCATION  
 DETAIL DY 5-18-10  
 JOB # 10010  
 SHEET # D1