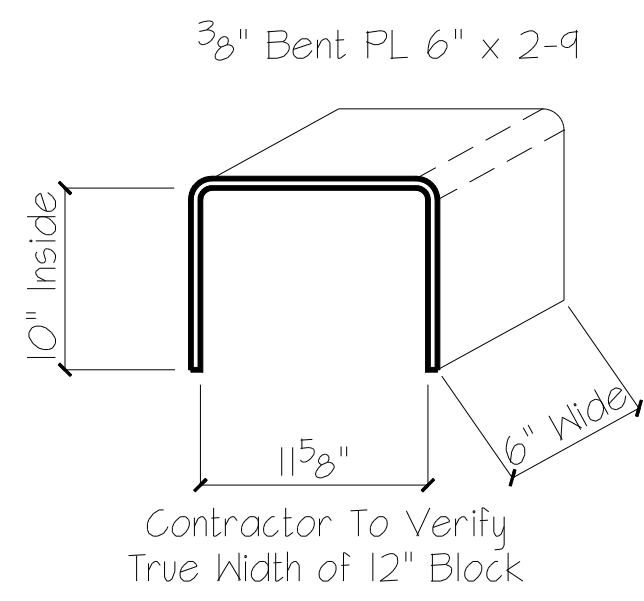
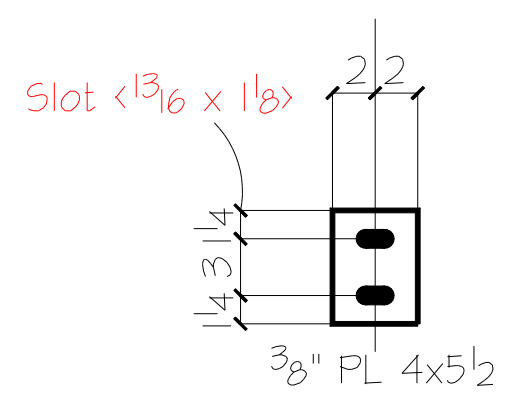


BILL OF MATERIAL

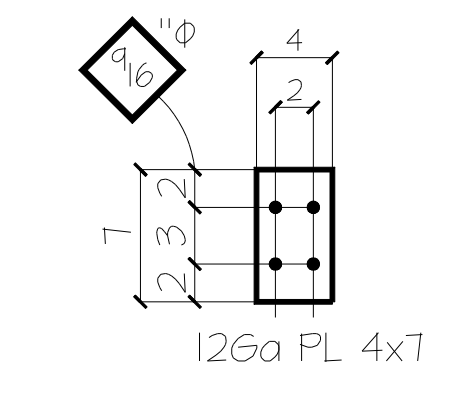
MARK	QTY	DESCRIPTION	LENGTH	REMARKS
ISD1	1	Saddle PL		
al	1	Bent PL 3/8 x 6	2-9	
bl	1	Bar 3/8 x 4	0-5 1/2	
cl	1	12Ga PL x 4	0-7	
hl	4	3/8"Φ HCA	0-4	
ISD2	7	Saddle PL		
al	7	Bent PL 3/8 x 6	2-9	
bl	14	Bar 3/8 x 4	0-5 1/2	
cl	7	12Ga PL x 4	0-7	
hl	28	3/8"Φ HCA	0-4	
ISD3	3	Saddle PL		
al	3	Bent PL 3/8 x 6	2-9	
bl	6	Bar 3/8 x 4	0-5 1/2	
cl	3	12Ga PL x 4	0-7	
hl	12	3/8"Φ HCA	0-4	
ISD4	3	Saddle PL		
al	3	Bent PL 3/8 x 6	2-9	
bl	3	Bar 3/8 x 4	0-5 1/2	
cl	3	12Ga PL x 4	0-7	
hl	12	3/8"Φ HCA	0-4	
1BP1	4	Bar 1/2 x 8	0-10	
hl	16	3/8"Φ HCA	0-4	
1TP2	4	Bar 1/2 x 9	1-0	
wl	4	Bar 3/8 x 4	0-5 1/2	
1WP1	22	Bar 1/2 x 9	0-8	
vl	22	Bar 3/8 x 2	0-4	



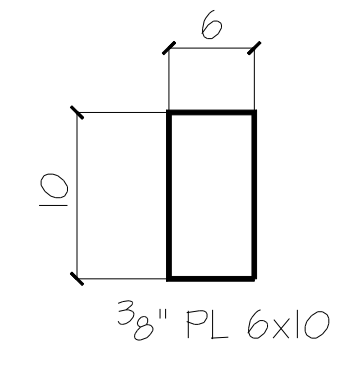
Detail of U-Plate a1
12 - Req'd
255 LB's



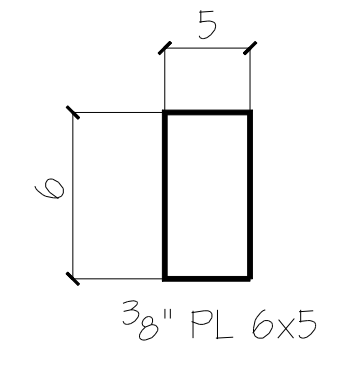
Detail of Conx-Plate b1
22 - Req'd



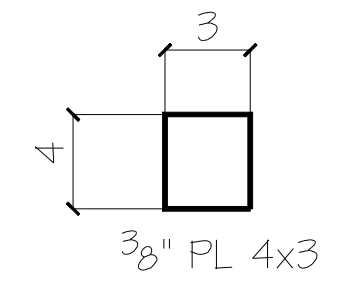
Detail of Conx-Plate c1
8 - Req'd



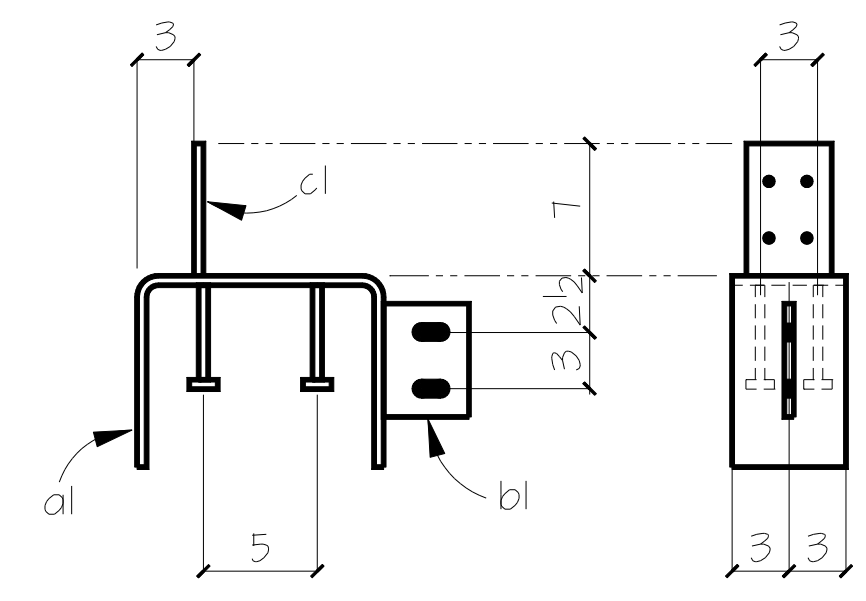
Detail of Conx-Plate d1
22 - Req'd



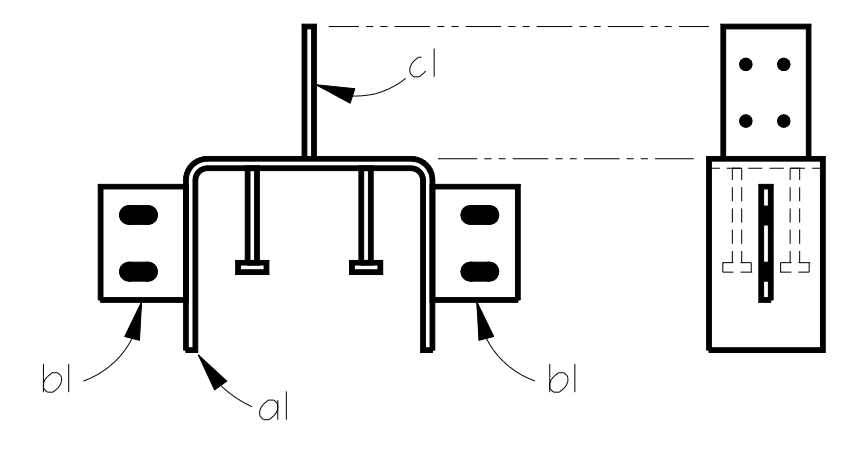
Detail of Conx-Plate e1
22 - Req'd



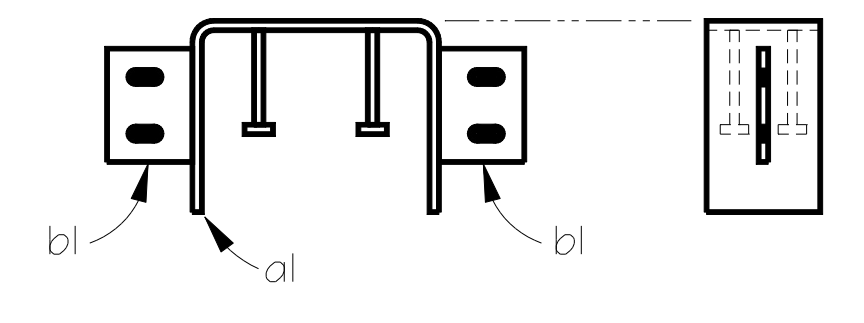
Detail of Conx-Plate f1
22 - Req'd



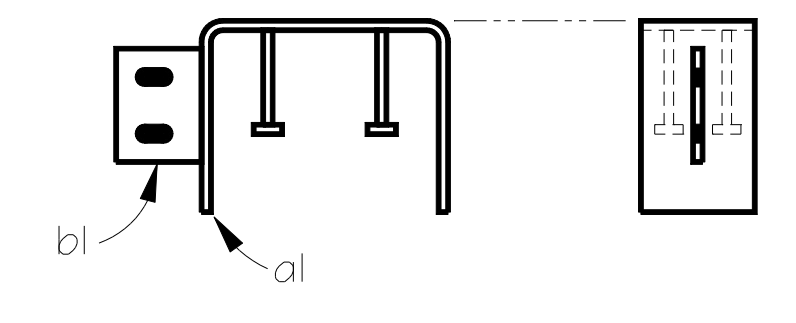
1 Saddle PL MK 1SD1
1 - Req'd Per Bay#1



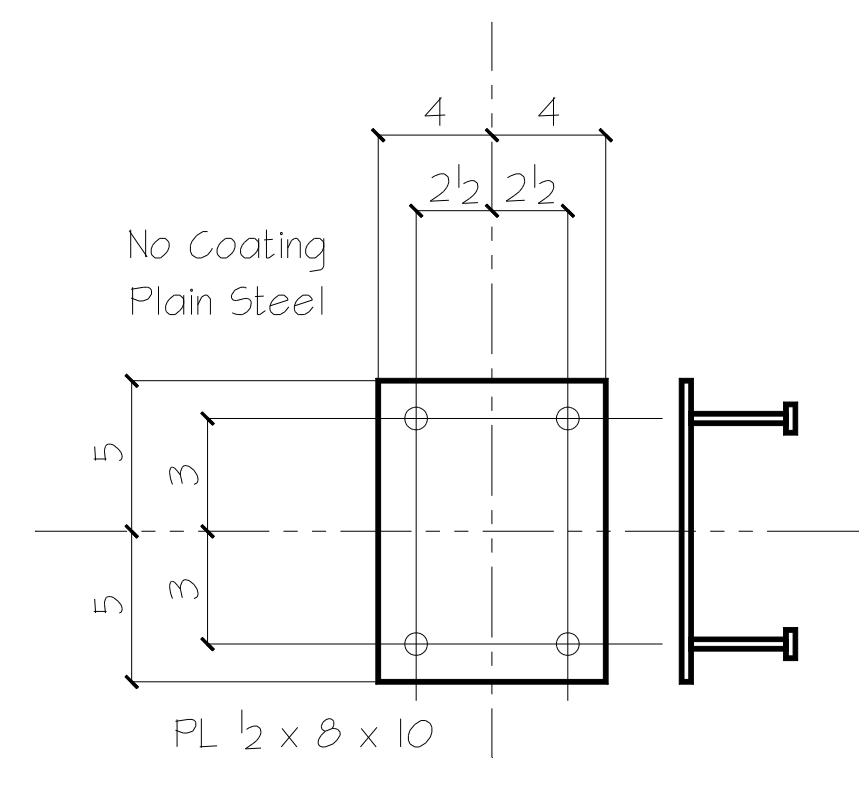
7 Saddle PL's MK 1SD2
7 - Req'd Per Bay#1 & 2



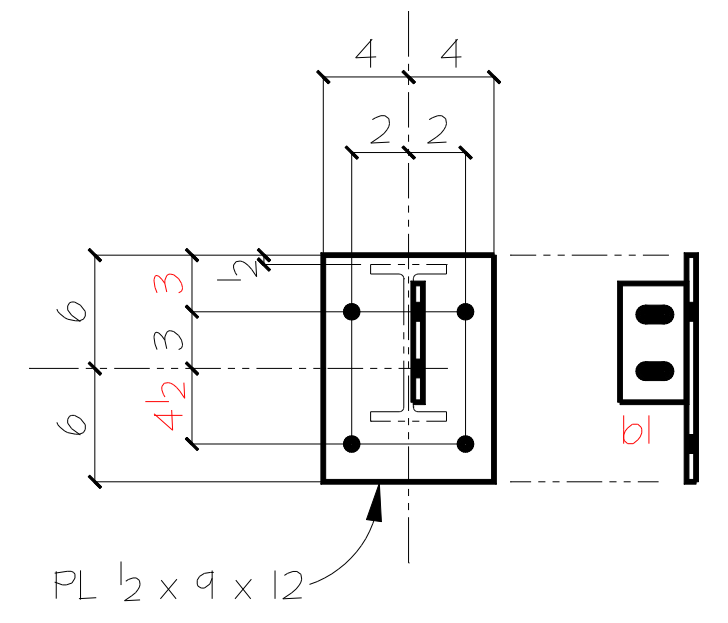
3 Saddle PL's MK 1SD3
3 - Req'd Per Bay#3



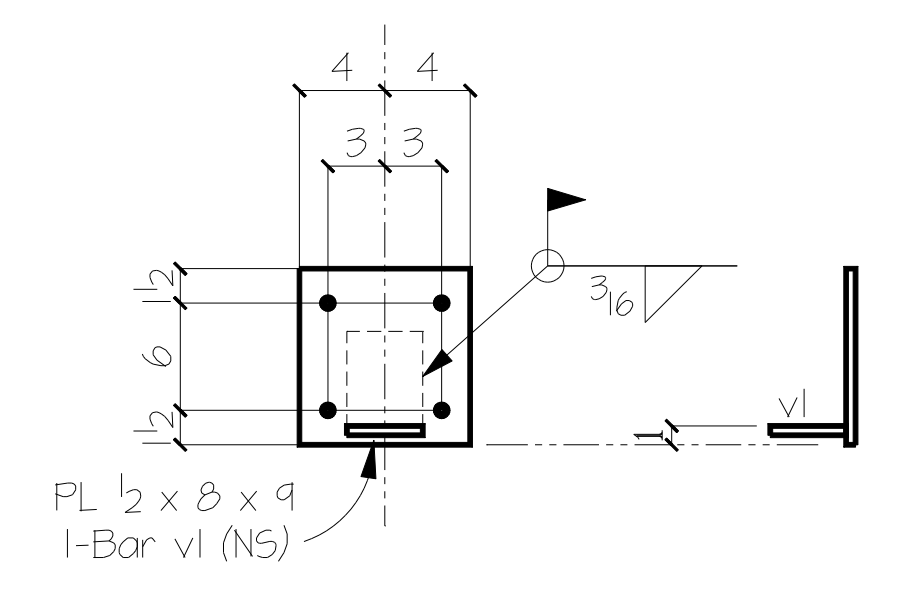
3 Saddle PL's MK 1SD4
1 - Req'd Per Bay#3
2 - Req'd Per Bay#4



4 Base PL's MK 1BP1
4 - Req'd Per Bay#4&5



4- Wall PL MK: 1TP2
1/8x10 -> Cum Wall ~ Bay#4



22- Wall PL MK: 1WP1

Useable Template Mark Letters
a b c d e f g h j k m n p q r s t v w x y z
FN= CovenantLdwg

MATERIAL GRADE SHELL BE	A36	U.N.O.
WF SHAPES	A992	TUBES A500 Gr B
CHANNELS	A992	PIPES A53 Gr B
COATING	One S/C Red Oxide Primer	
13/16"Φ	1/4"	E70xx
OPEN HOLE	FILLETS	ELECTRODES
APPROVAL	3-1-10	TO SHOP 3-3-10

UNC Steel

DETAILS OF Cee, Zee & WF Beams

CUSTOMER _____

ENGINEER _____

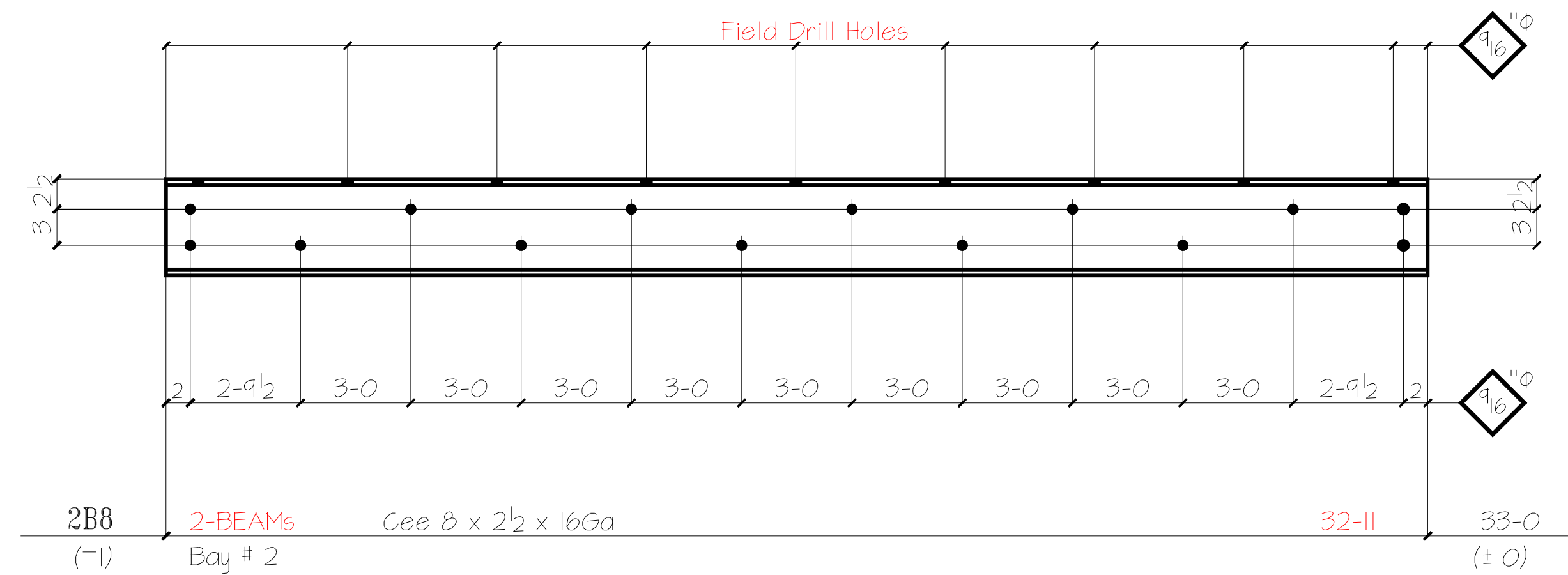
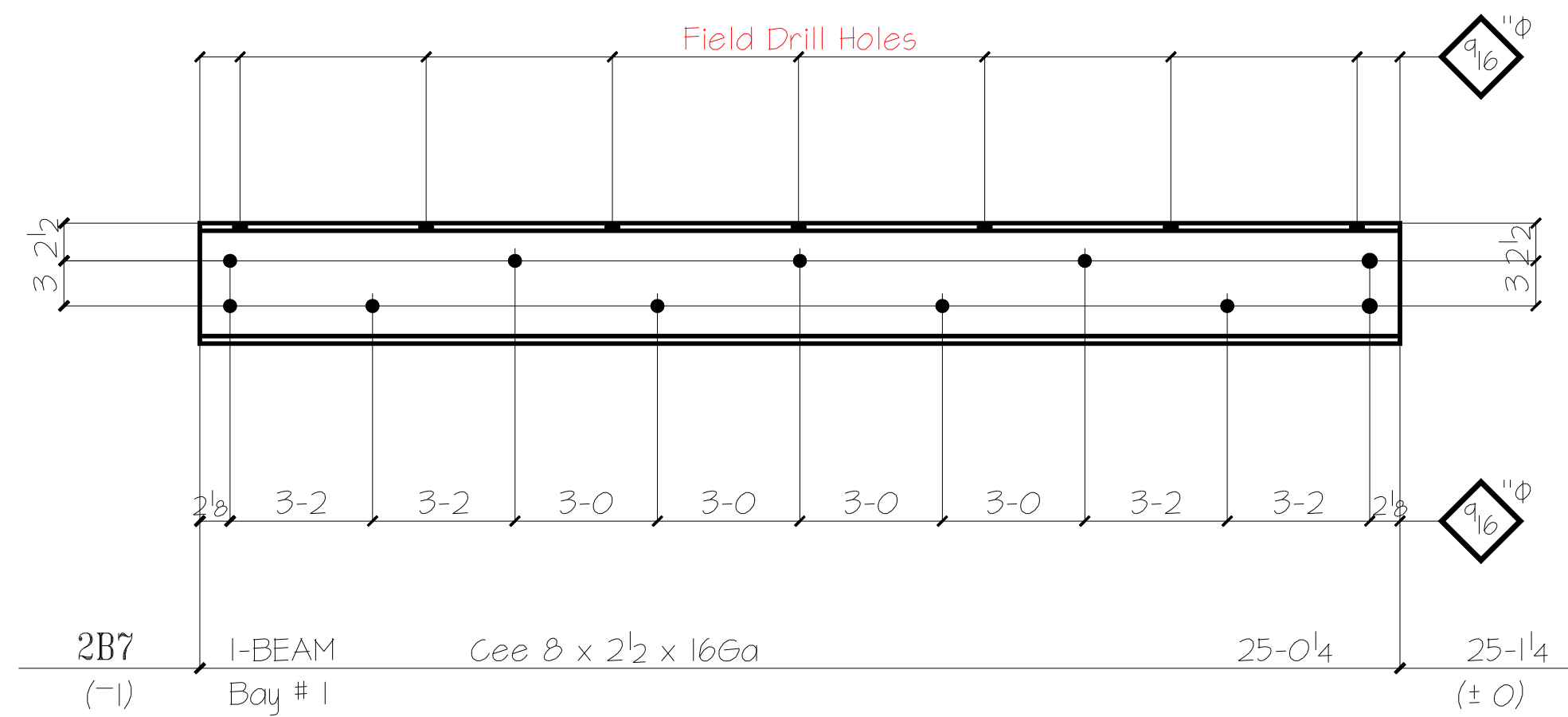
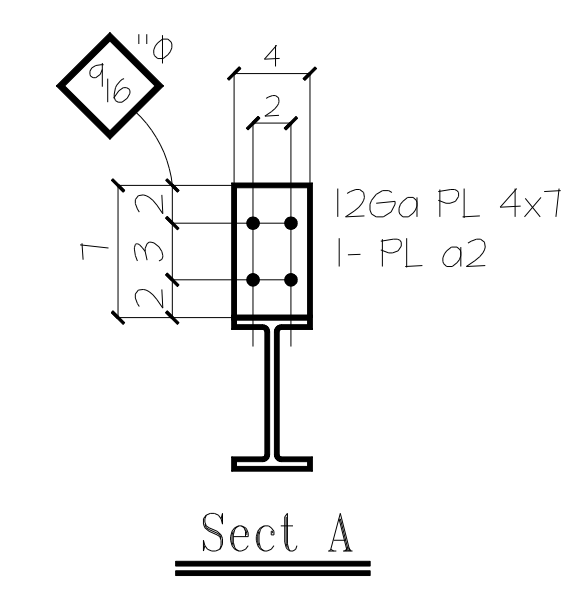
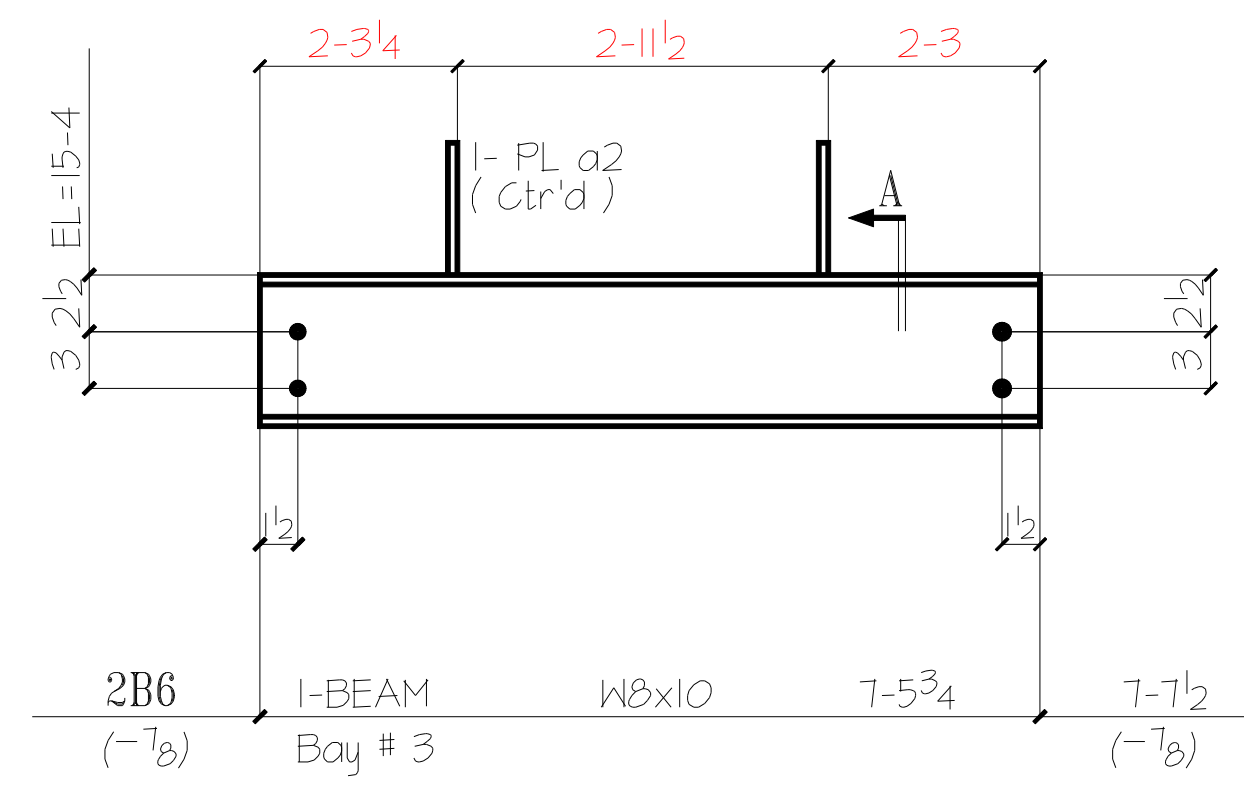
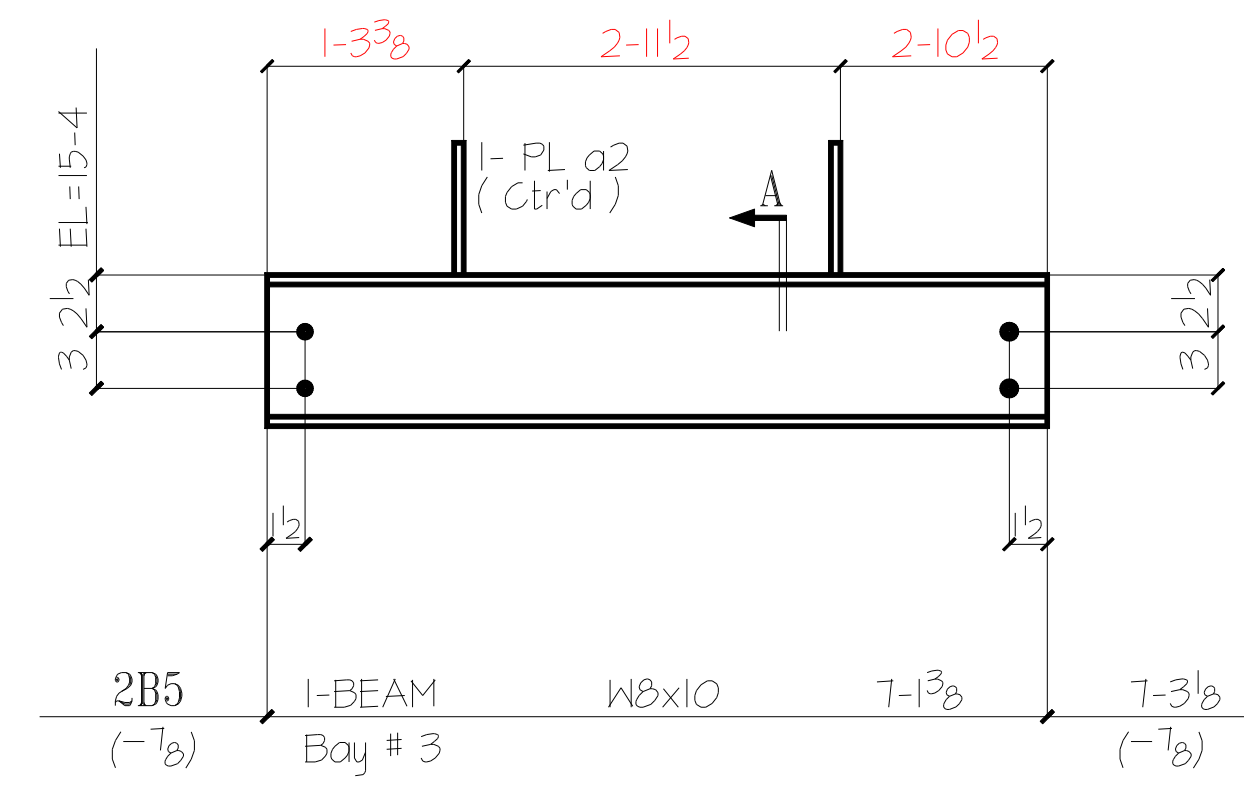
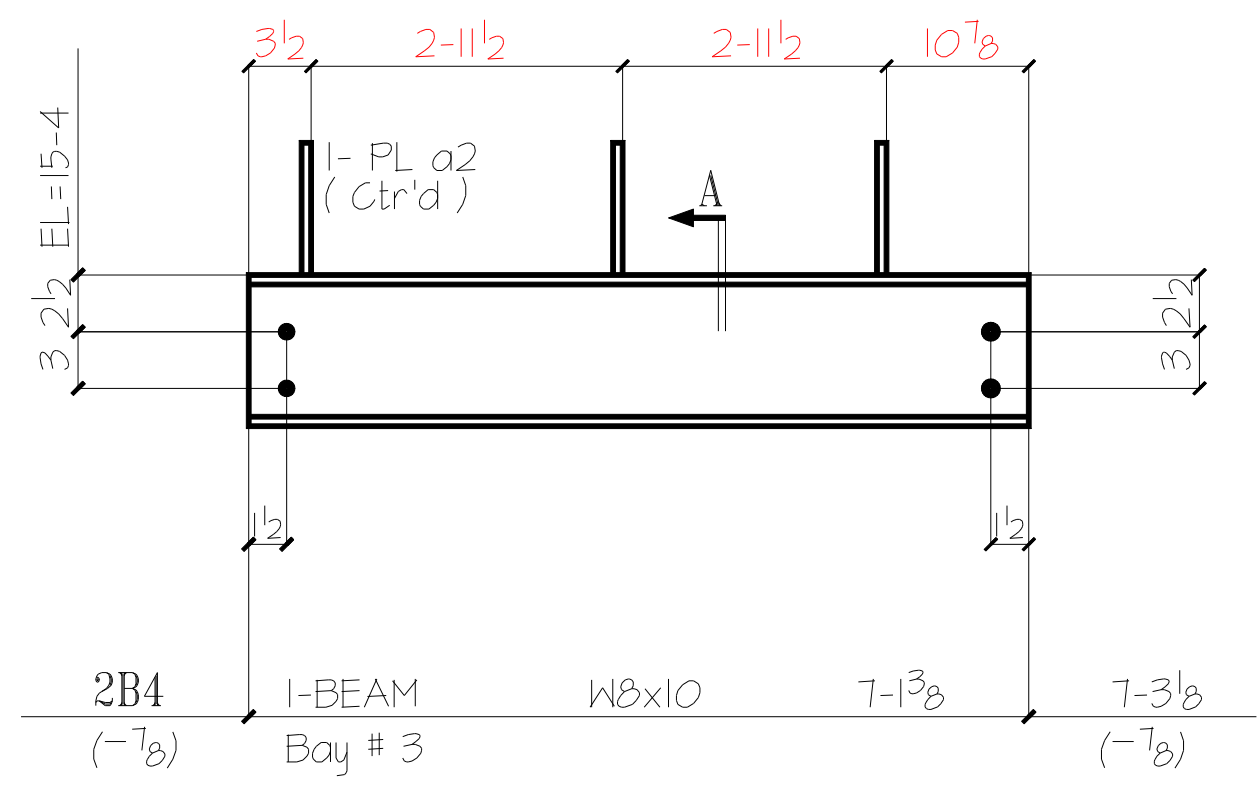
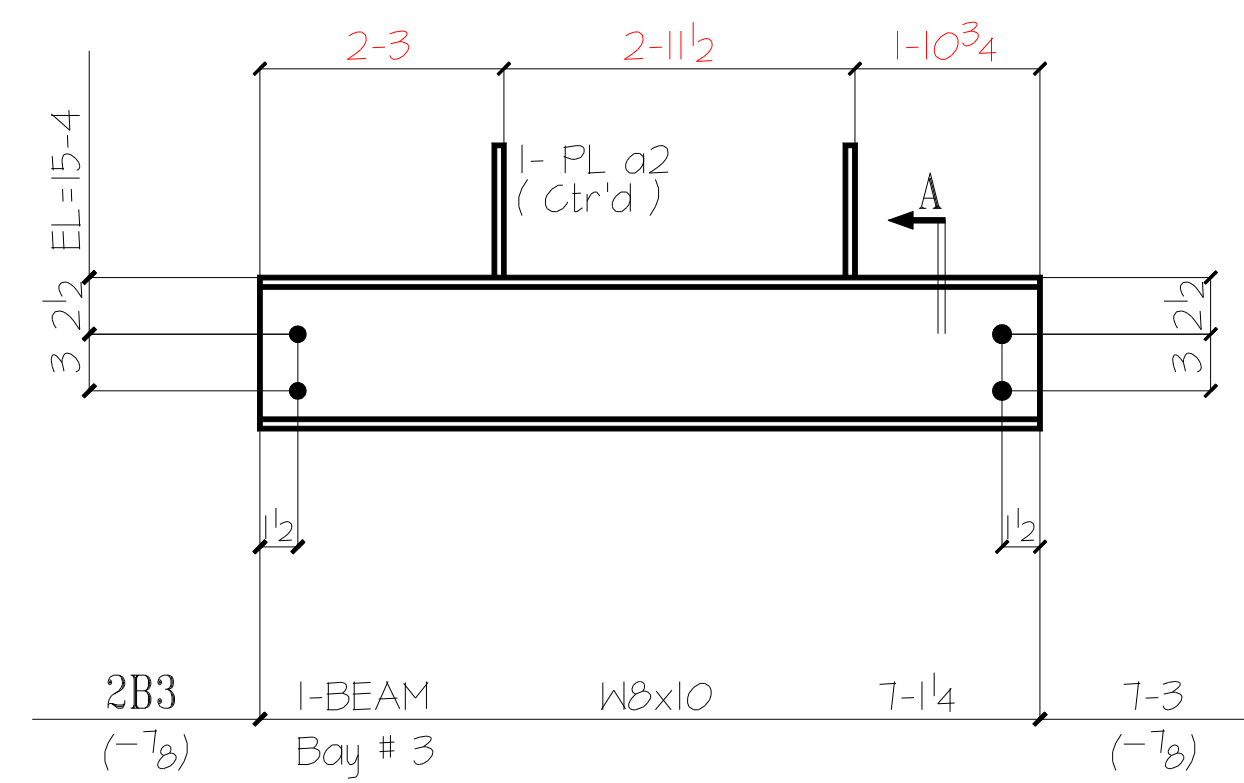
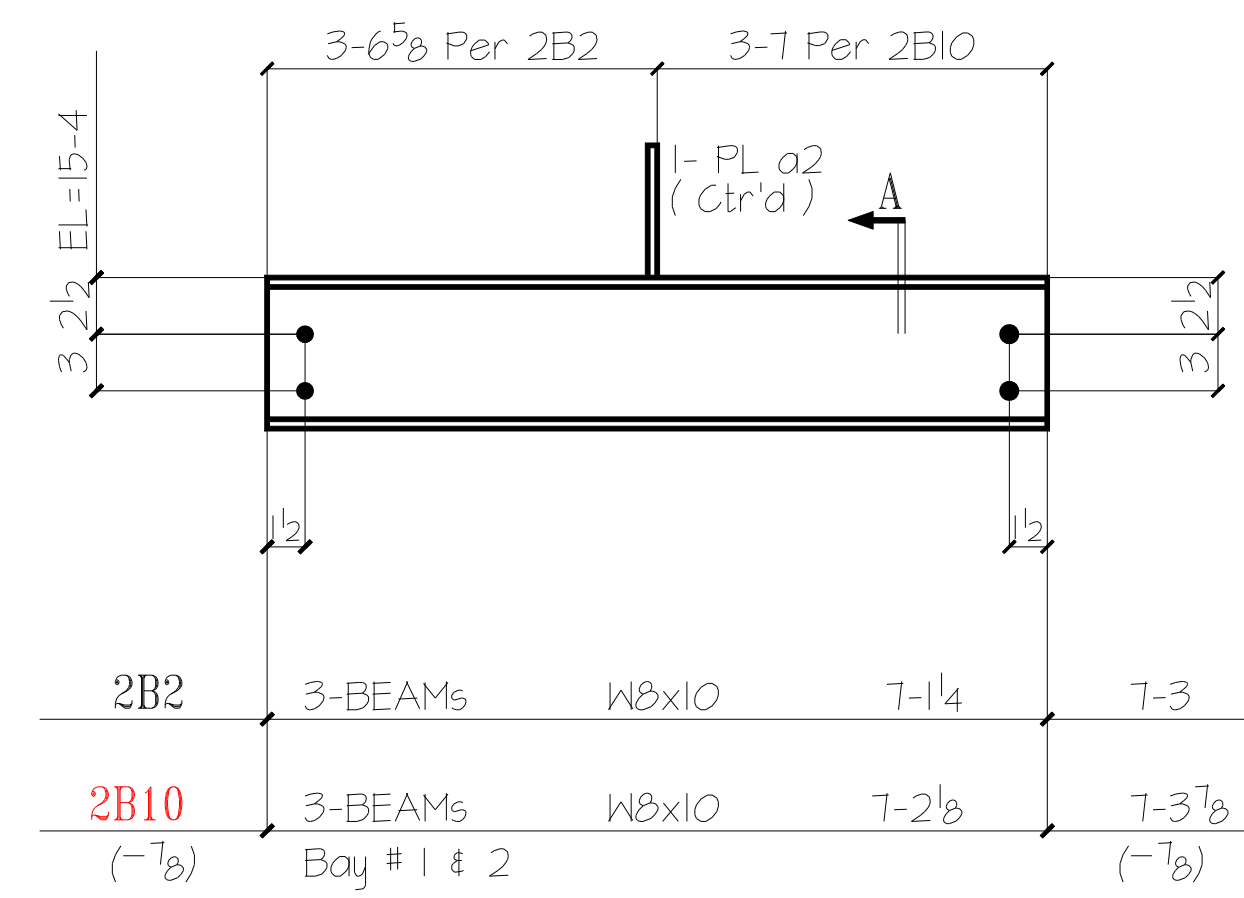
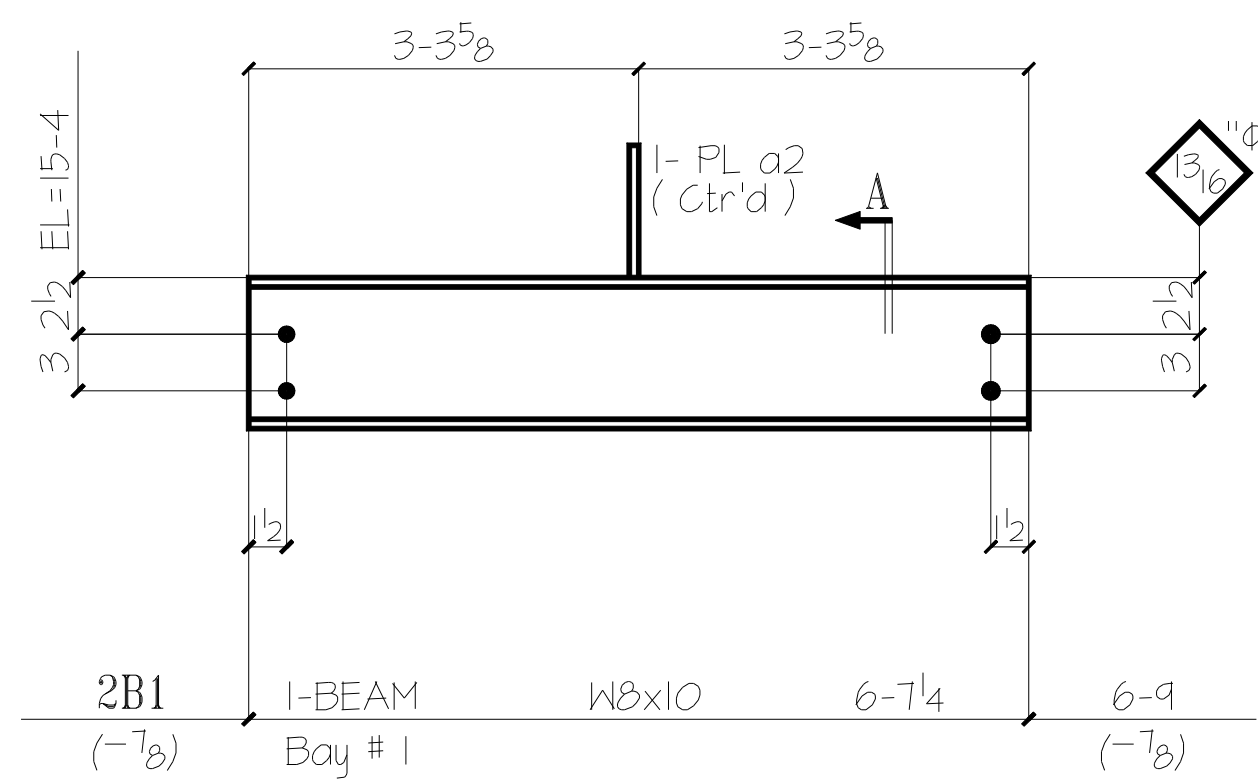
PROJECT Now Word Covenant Church

LOCATION _____

DETAIL D6	2-15-10	JOB #	SHEET #
CHK.R tsd	3-3-10	NWCC	4

— BILL OF MATERIAL —

MARK	QTY	DESCRIPTION	LENGTH	REMARKS
2B1	1	W 8 x 10	6-7/4	
a2	1	PL 12Ga x 4	0-7	
2B2	3	W 8 x 10	7-1/4	
a2	3	PL 12Ga x 4	0-7	
2B3	1	W 8 x 10	7-1/4	
a2	2	PL 12Ga x 4	0-7	
2B4	1	W 8 x 10	7-13/8	
a2	3	PL 12Ga x 4	0-7	
2B5	1	W 8 x 10	7-13/8	
a2	2	PL 12Ga x 4	0-7	
2B6	1	W 8 x 10	7-53/4	
a2	2	PL 12Ga x 4	0-7	
2B9	3	W 8 x 10	7-23/8	
a2	3	PL 12Ga x 4	0-7	
2B7	1	Cee 8 x 2 1/2 x 16Ga	25-0 1/4	
2B8	2	Cee 8 x 2 1/2 x 16Ga	32-11	



MATERIAL GRADE SHELL BE	A36	U.N.O.
WF SHAPES	A992	TUBES A500 Gr B
CHANNELS	A992	PIPES A53 Gr B
COATING	One S/C Red Oxide Primer	
13/16" OPEN HOLE	1/4" FILLETS	E70xx ELECTRODES
APPROVAL	3-1-10	TO SHOP 3-3-10

UNC Steel

DETAILS OF Cee, Zee & WF Beams

CUSTOMER _____

ENGINEER _____

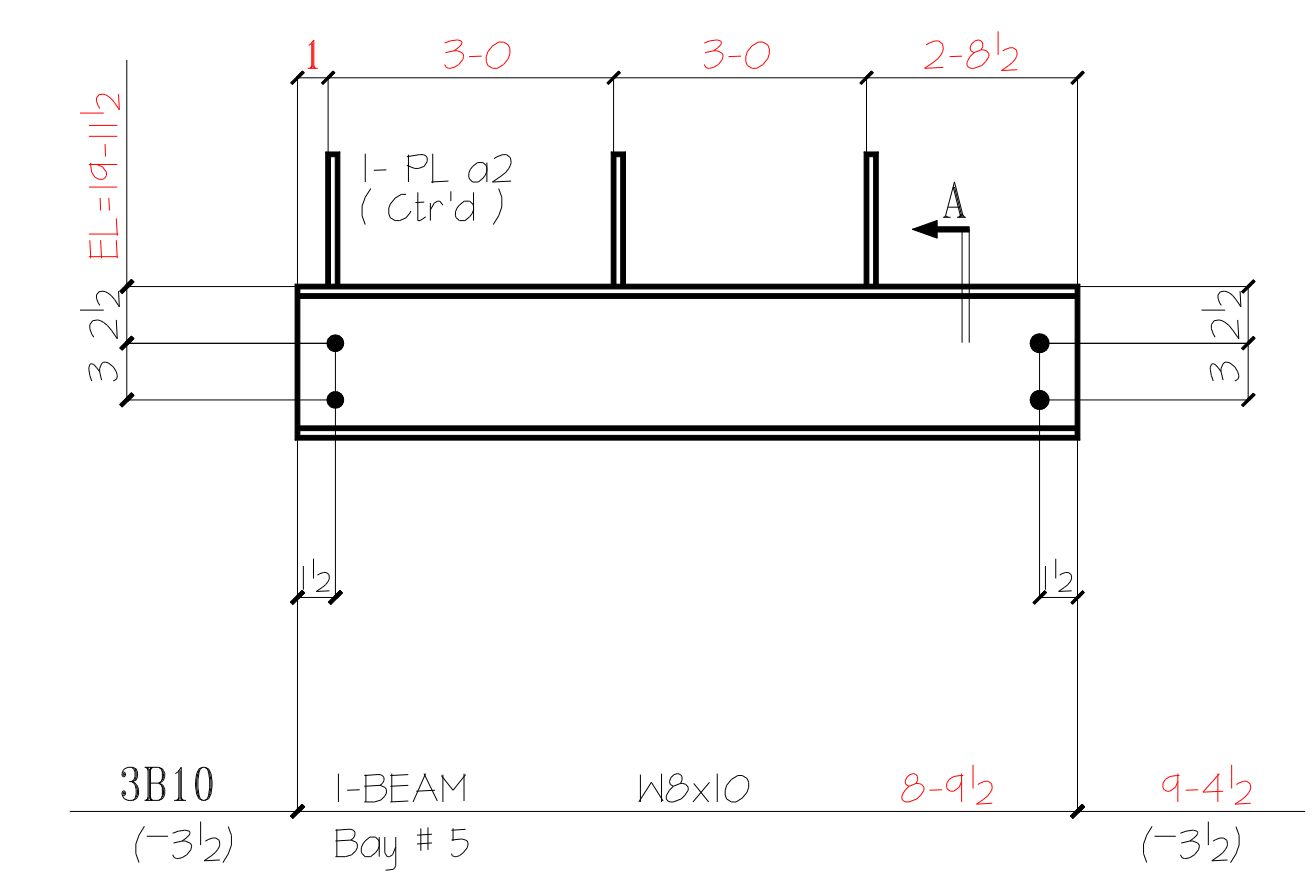
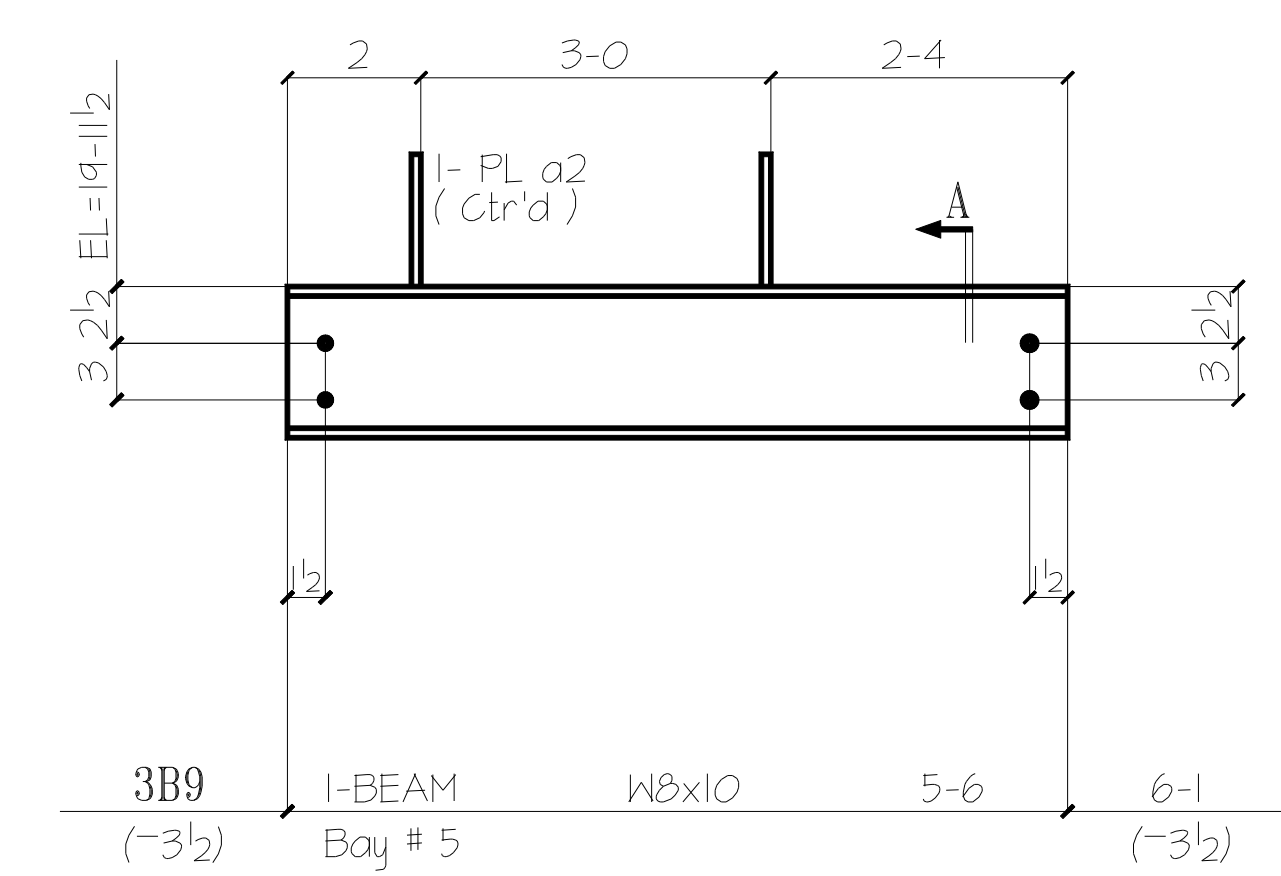
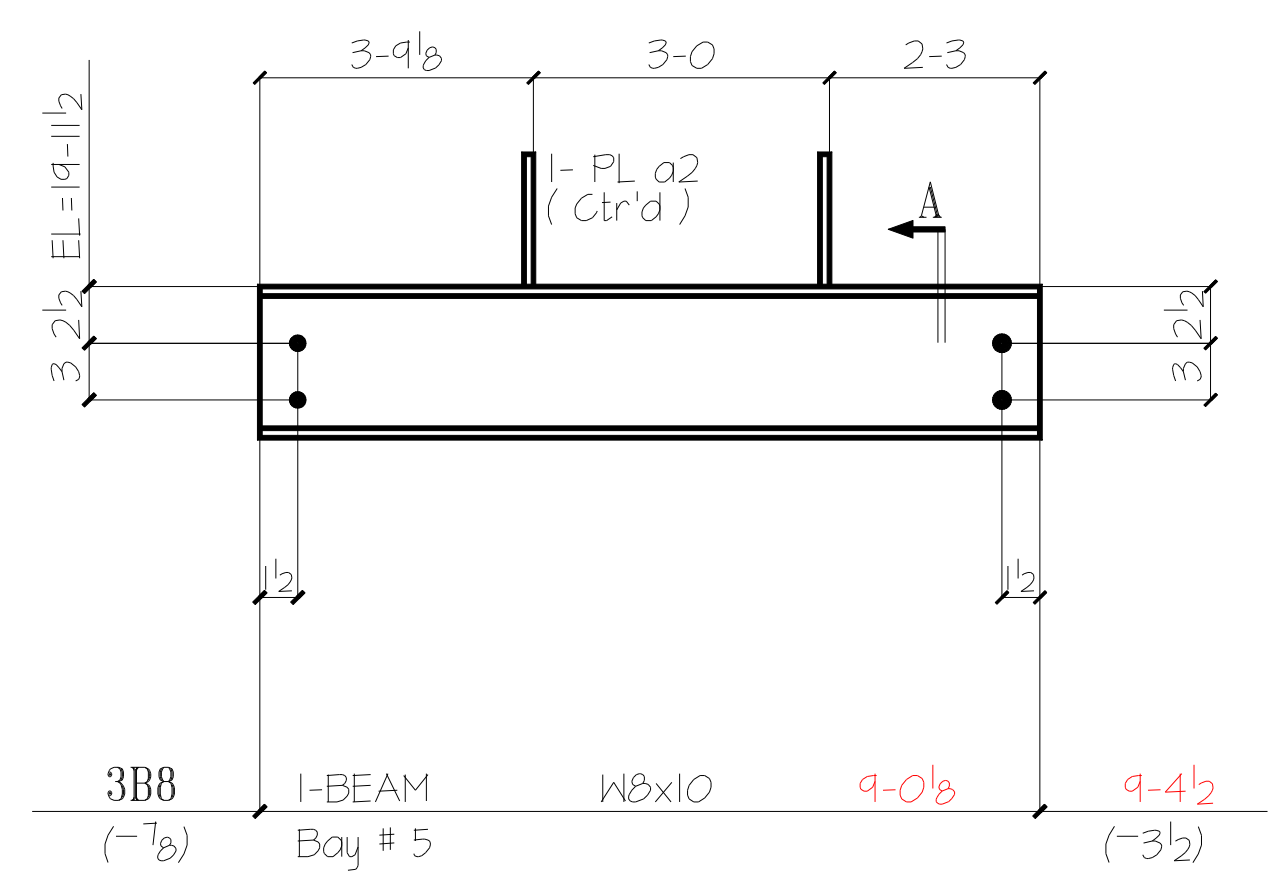
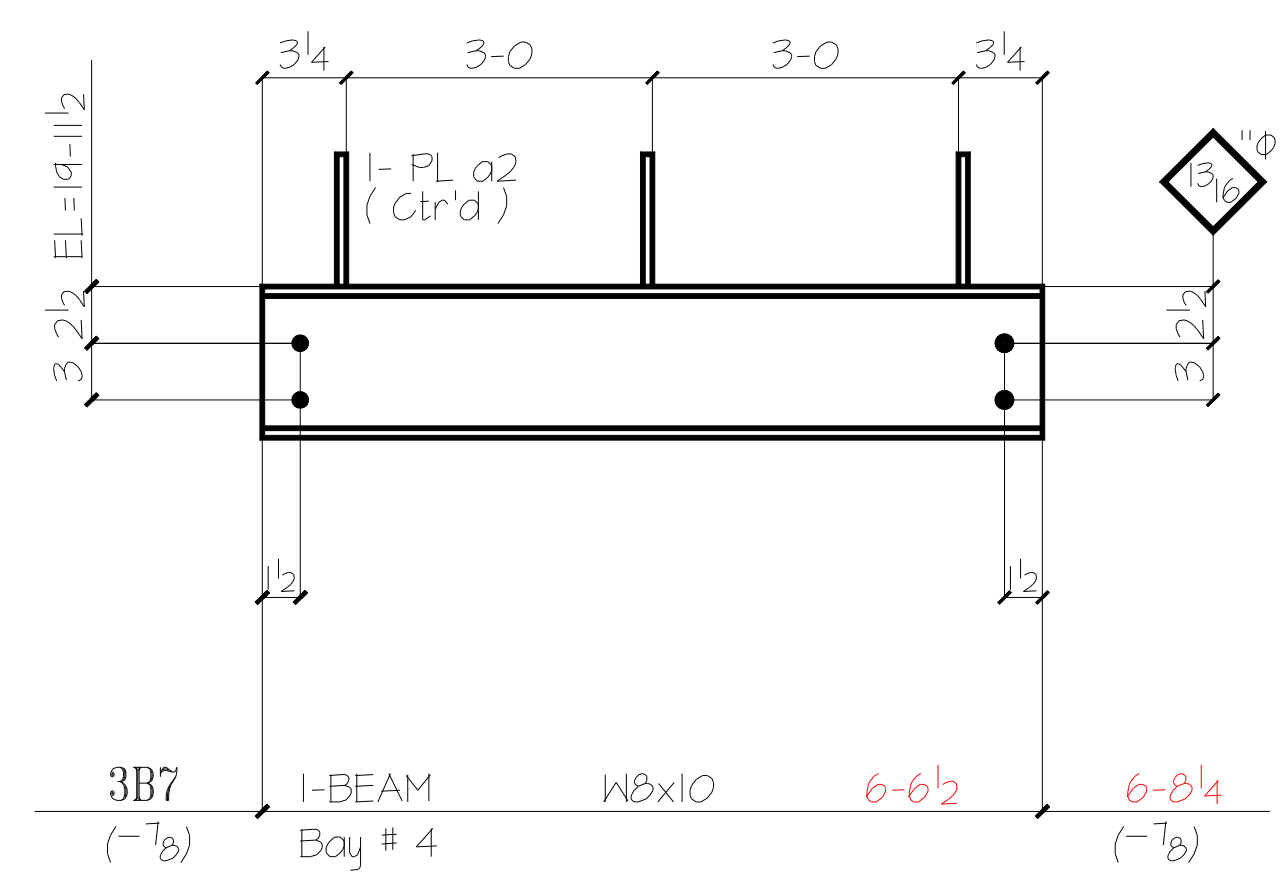
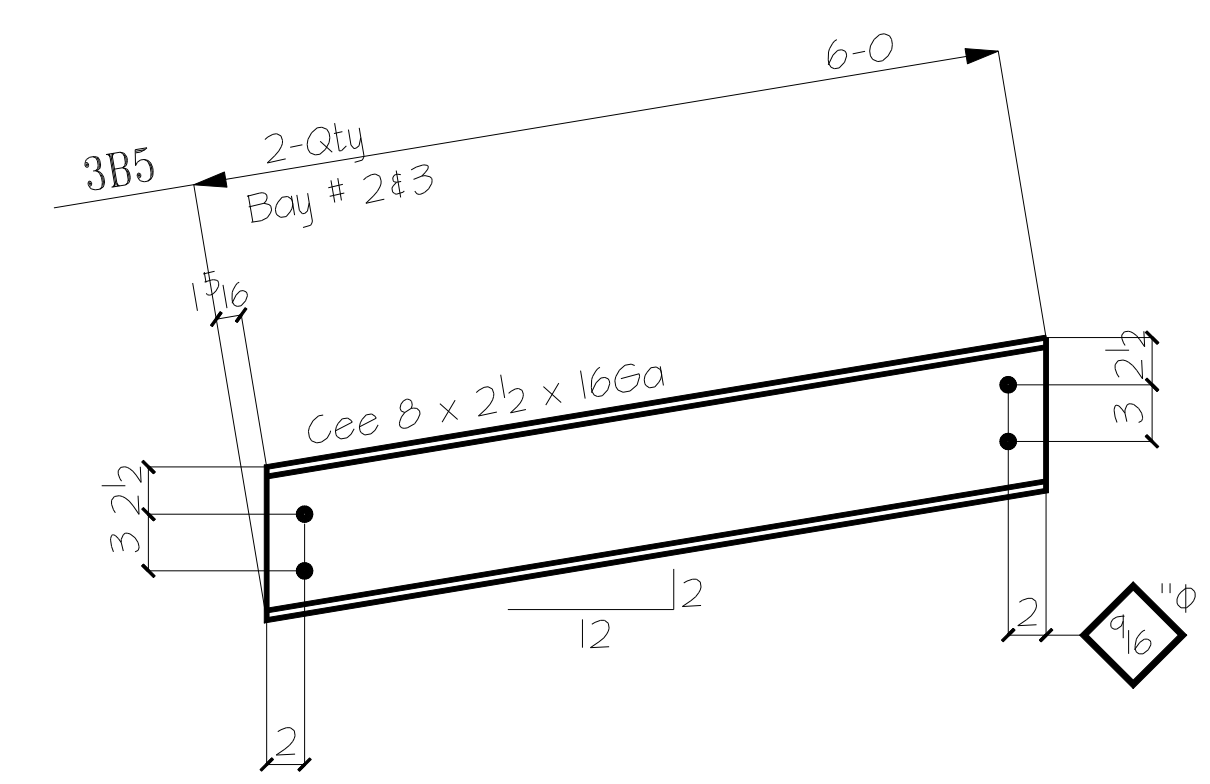
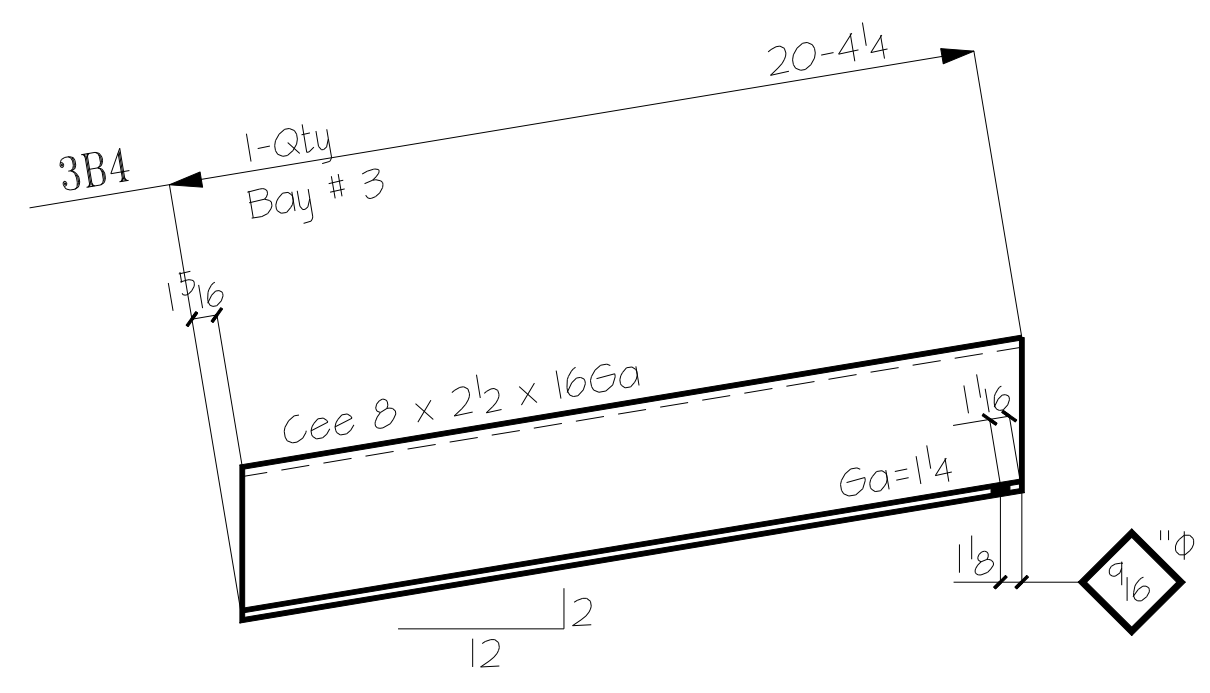
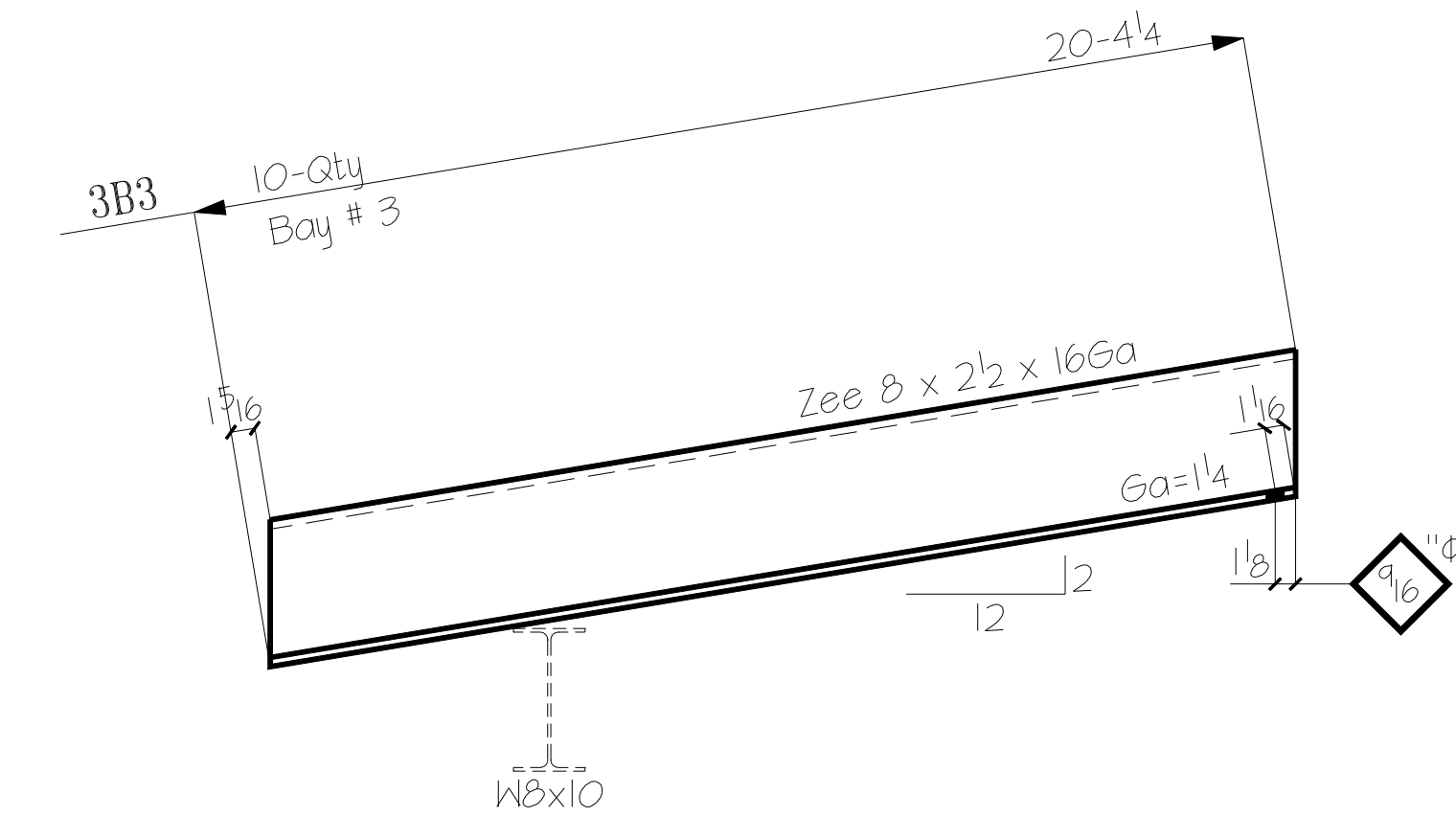
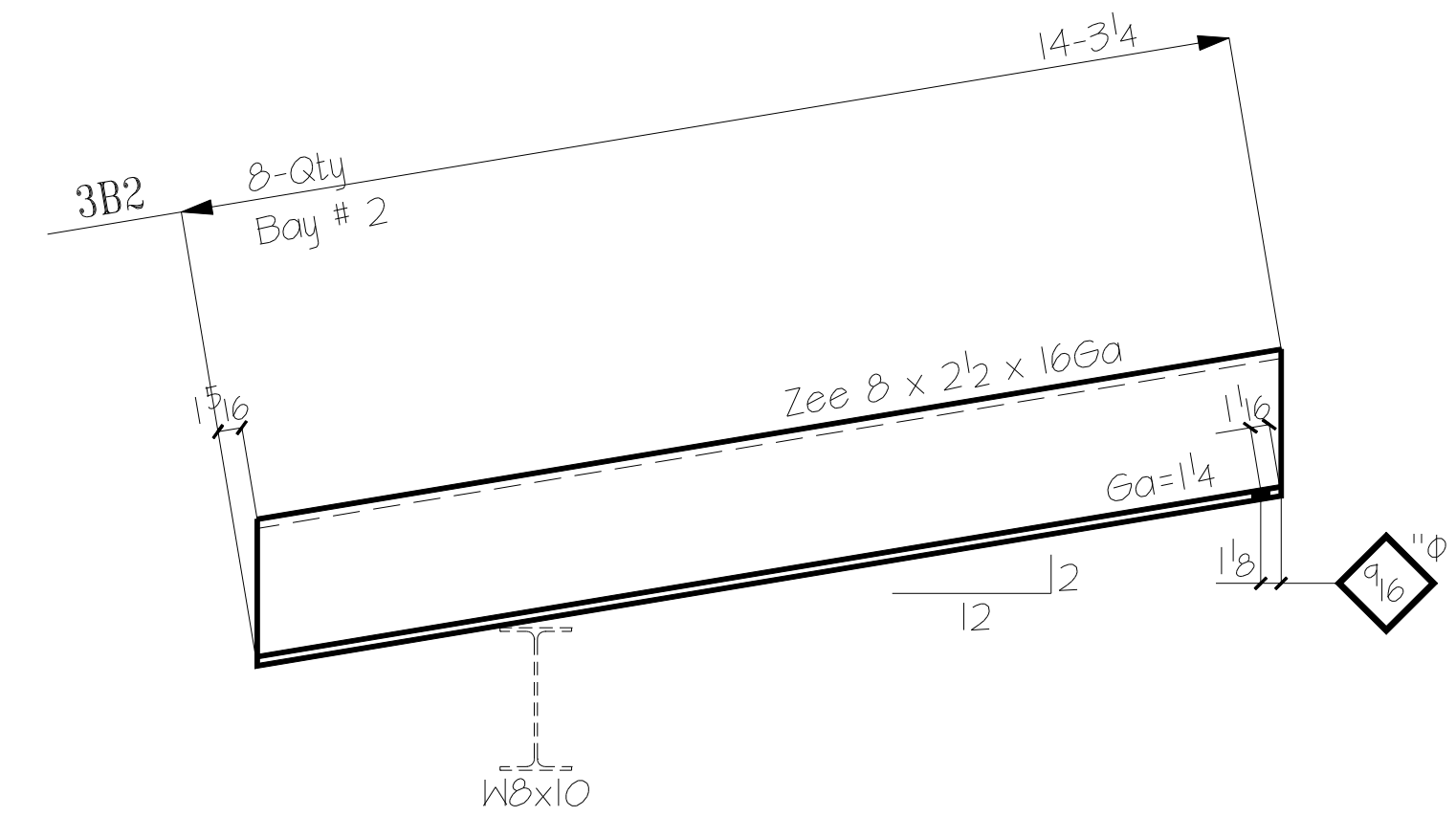
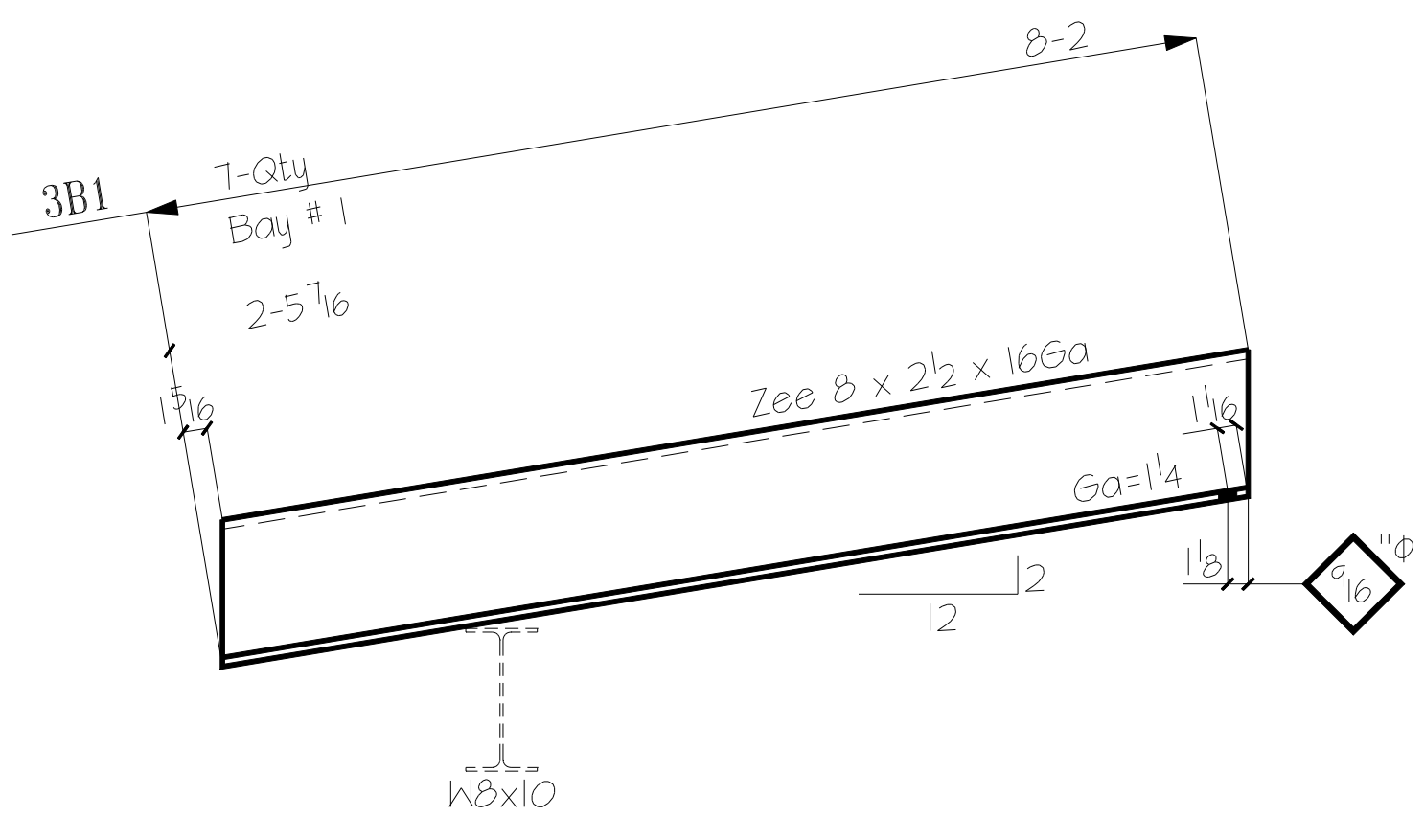
PROJECT Now Word Covenant Church

LOCATION _____

DETAIL D6	2-15-10	JOB #	SHEET #
CHK.R tsd	3-3-10	NWCC	4

FN= Covenant.dwg

— BILL OF MATERIAL —



MARK	QTY	DESCRIPTION	LENGTH	REMARKS
3B1	7	Zee B x 2 1/2 x 16Ga	8-2	
3B2	8	Zee B x 2 1/2 x 16Ga	14-3 1/4	
3B3	10	Zee B x 2 1/2 x 16Ga	20-4 1/4	
3B4	1	Cee B x 2 1/2 x 16Ga	20-4 1/4	
3B5	2	Cee B x 2 1/2 x 16Ga	6-0	
3B7	1	W 8 x 10	6-6 1/2	
3B8	1	W 8 x 10	9-0 1/8	
a2	2	PL 12Ga x 4	0-7	
3B9	1	W 8 x 10	5-6	
a2	2	PL 12Ga x 4	0-7	
3B10	1	W 8 x 10	8-9 1/2	
a2	3	PL 12Ga x 4	0-7	
3H1	4	1" Hat Channel	25-2	Bay # 1
3H2	6	1" Hat Channel	33-0	Bay # 2
3H3	7	1" Hat Channel	33-0	Bay # 3
3H4	6	1" Hat Channel	33-6	Bay # 4 & 5
3H5	3	1" Hat Channel	25-3	Bay # 5
3H6	3	1" Hat Channel	6-9	Bay # 4

MATERIAL GRADE SHELL BE A36 U.N.O.
 WF SHAPES A992 TUBES A500 Gr B
 CHANNELS A992 PIPES A53 Gr B

COATING One S/C Red Oxide Primer

13/16" OPEN HOLE 1/4" FILLETS E70xx ELECTRODES

APPROVAL 3-1-10 TO SHOP 3-3-10

UNC Steel
 DETAILS OF Cee, Zee & WF Beams
 CUSTOMER _____
 ENGINEER _____
 PROJECT Now Word Covenant Church
 LOCATION _____

DETAIL <u>D6</u>	<u>2-15-10</u>	JOB # <u>NWCC</u>	SHEET # <u>4</u>
CHK.R <u>tsd</u>	<u>3-3-10</u>		

Useable Template Mark Letters
 abcdefghijklmnopqrstuvwxyz
 FN= Covenant.dwg