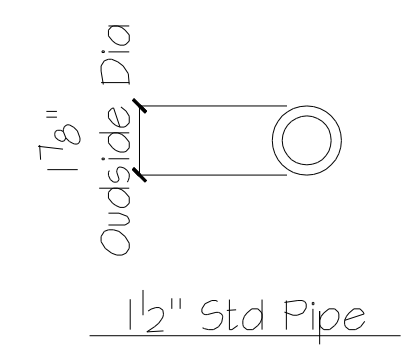
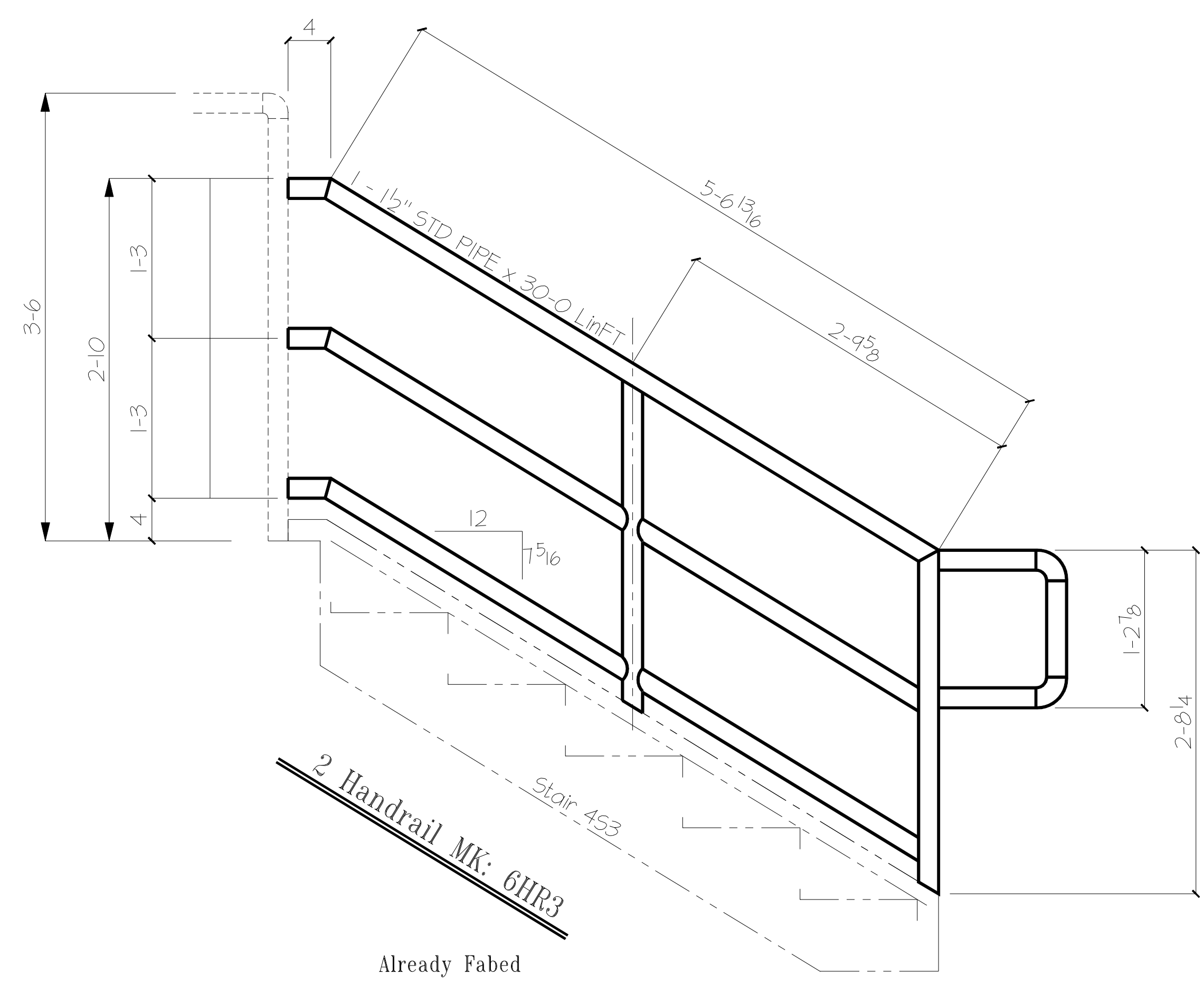
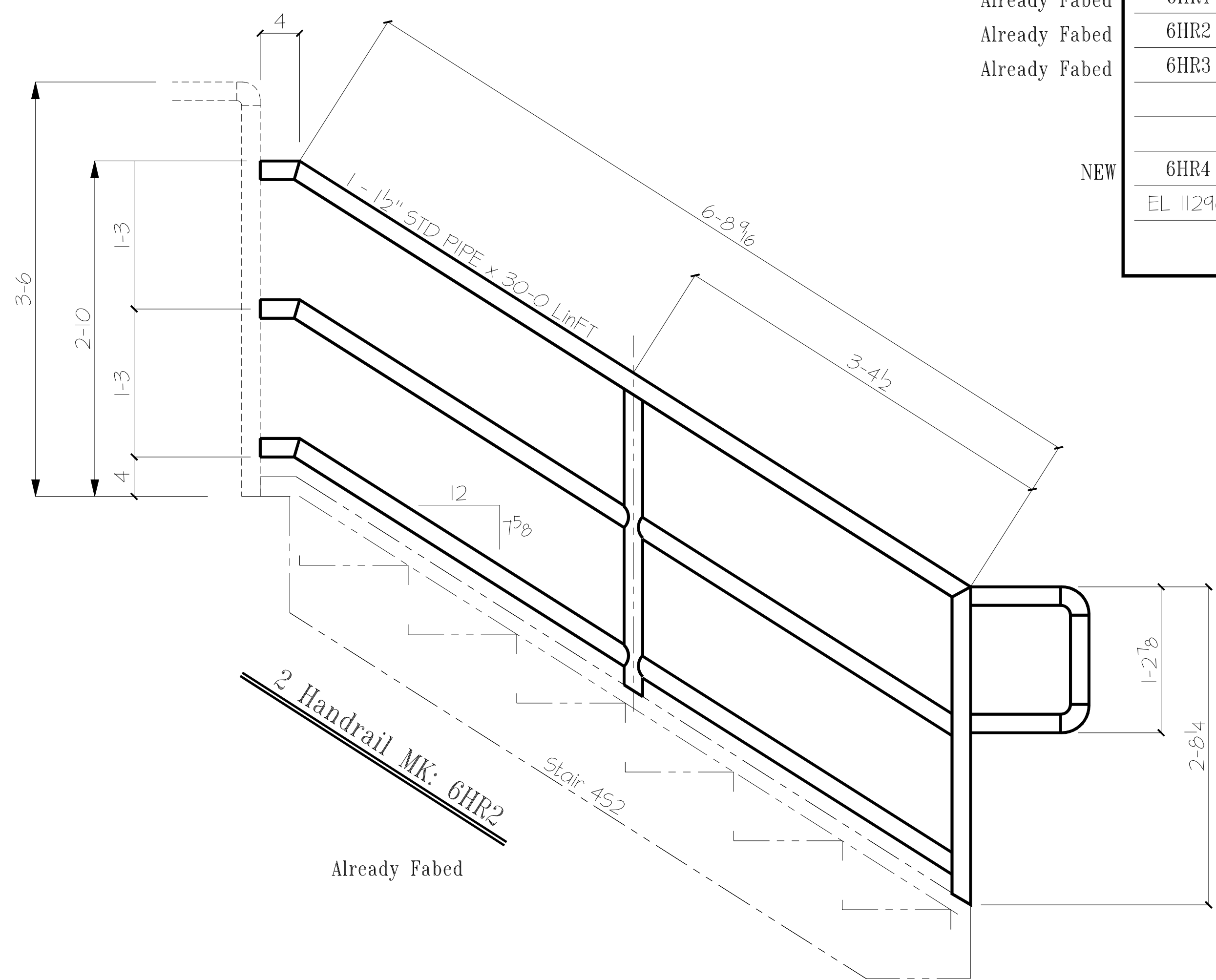
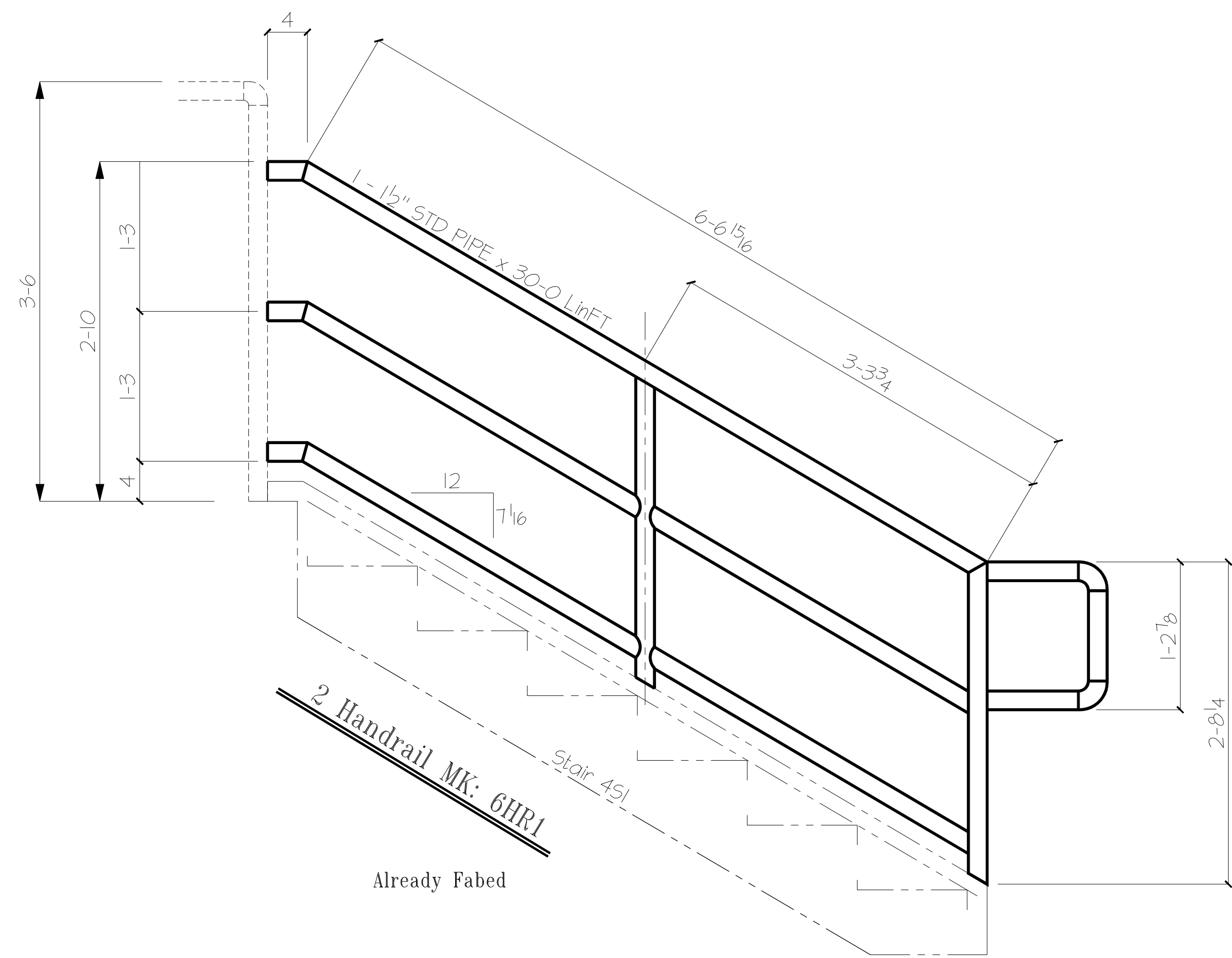


- BILL OF MATERIAL -

MARK	QTY	DESCRIPTION	LENGTH	REMARKS
6HR1	2	1 1/2" Std Pipe	30-Lin FT	
6HR2	2	1 1/2" Std Pipe	30-Lin FT	
6HR3	2	1 1/2" Std Pipe	30-Lin FT	
NEW				
6HR4	2	1 1/2" Std Pipe	30-Lin FT	
EL 11290	16	90° Pipe Elbow		



MATERIAL GRADE SHELL BE A36 U.N.O.
 WF SHAPES A992 TUBES A500 Gr B
 CHANNELS A992 PIPES A53 Gr B

COATING One S/C Red Oxide Primer

13/16"φ 1/4" E70xx
 OPEN HOLE FILLETS ELECTRODES

APPROVAL _____ ? TO SHOP _____ ?

DETAILS OF Handrails
 CUSTOMER _____
 ARCHITECT _____
 PROJECT _____
 LOCATION _____

DETAIL DG 4-26-10 JOB # _____ SHEET # 6
 CHK.R tsd 4-26-10

Useable Temple Mark Letters
 a b c d e f g h j k l m n p q r s t v w x y z
 FN= comp-D1.dwg