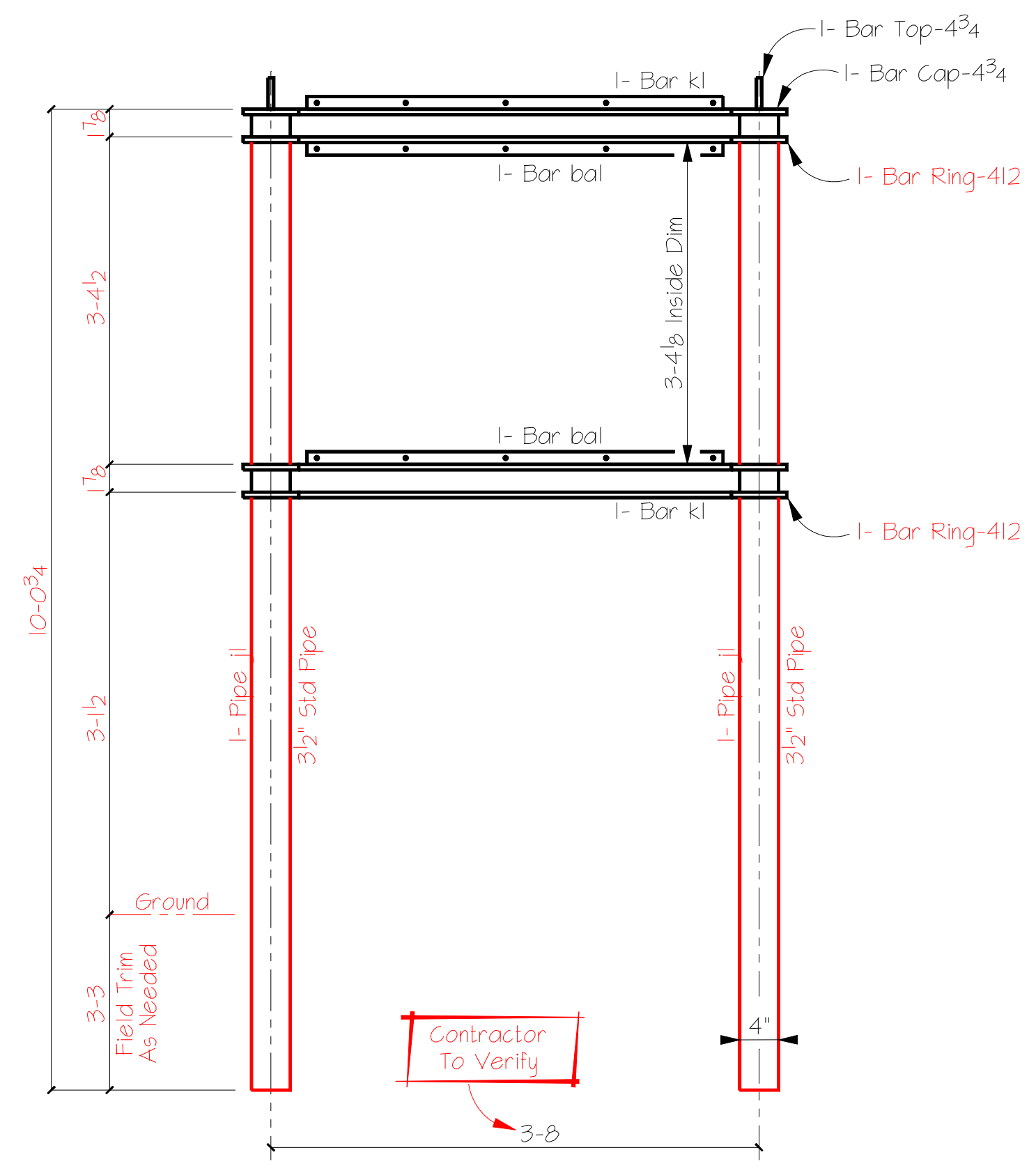
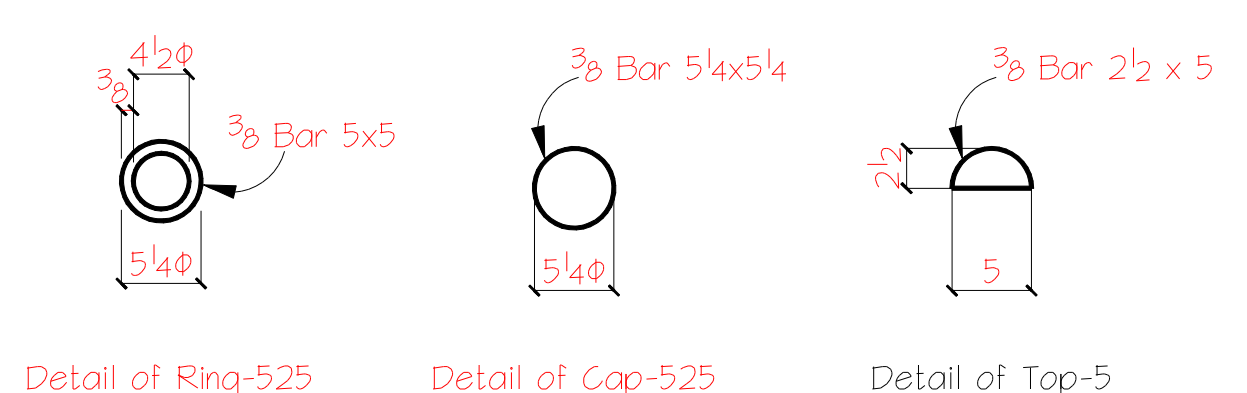
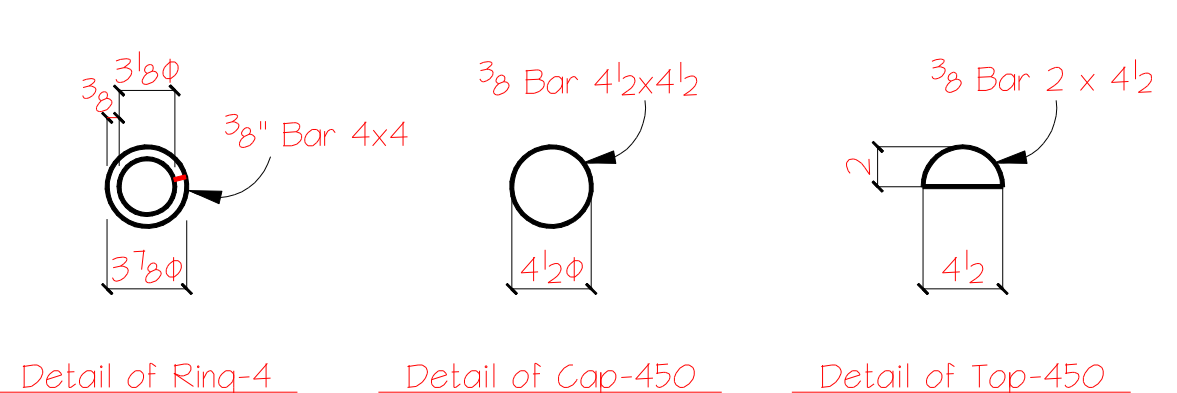
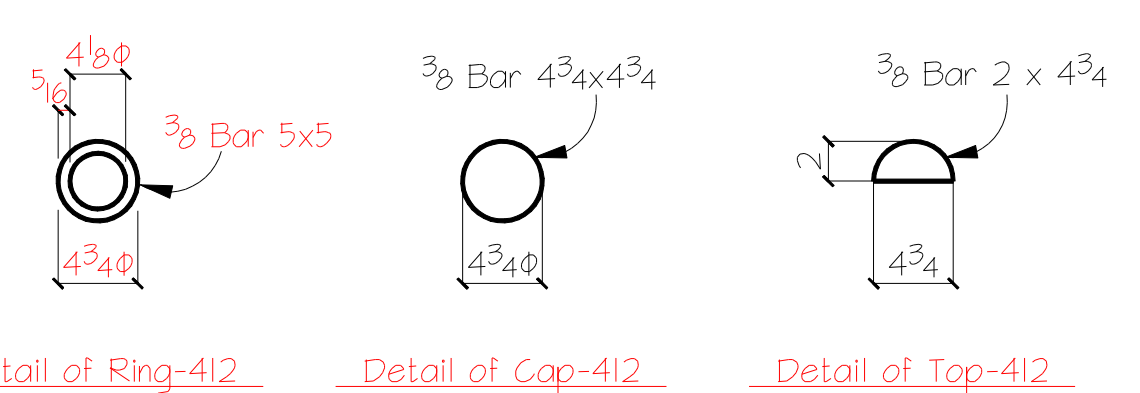
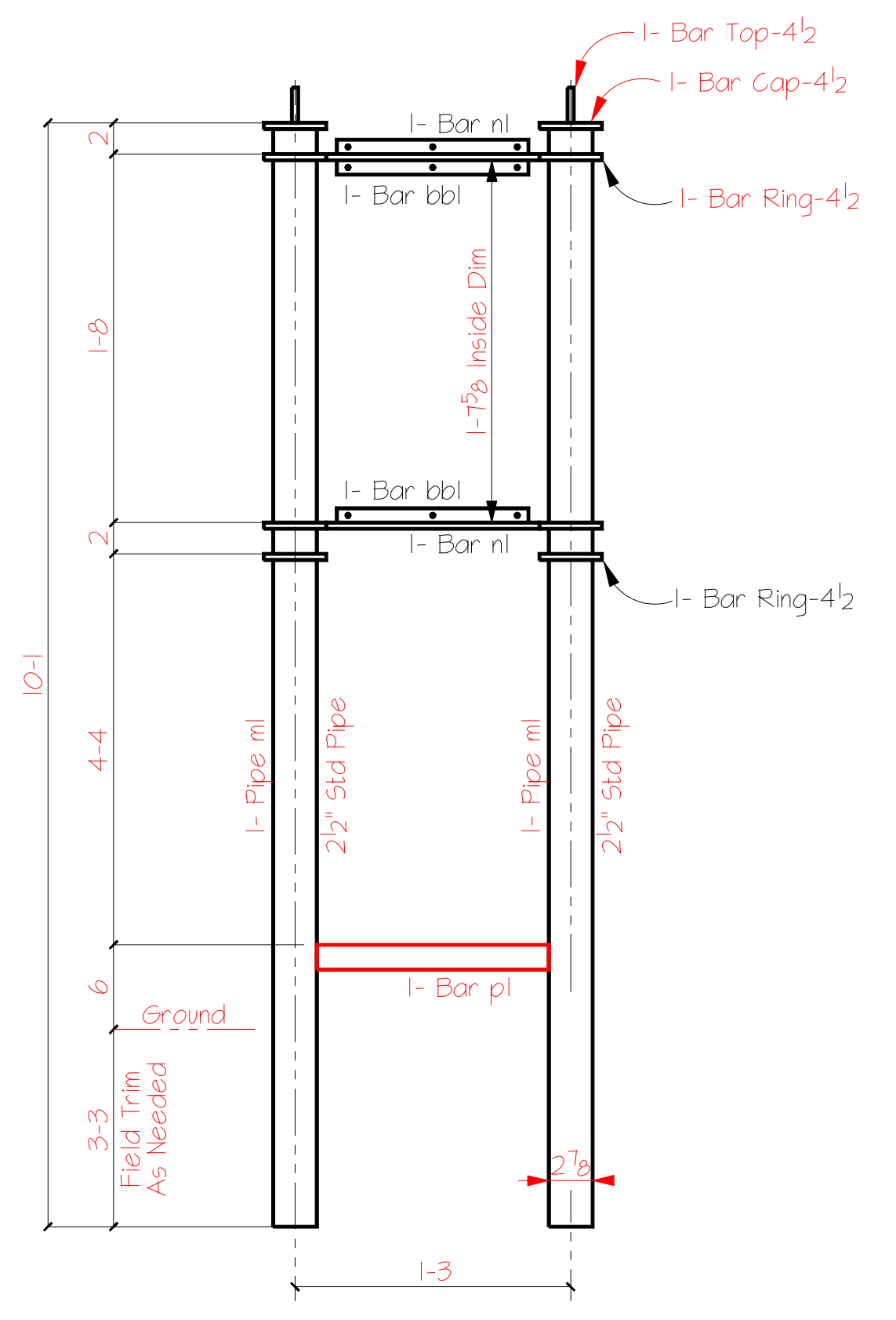
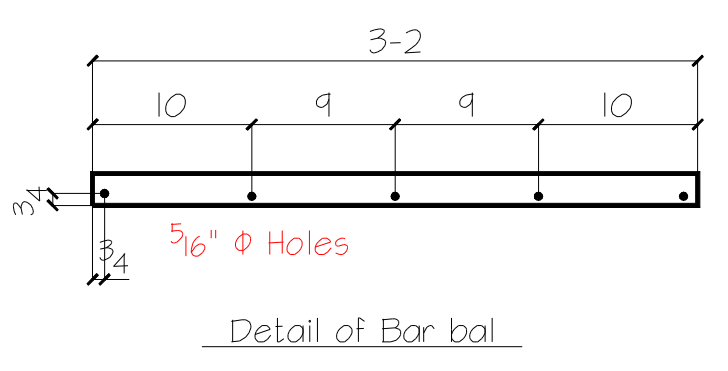


-- BILL OF MATERIAL --

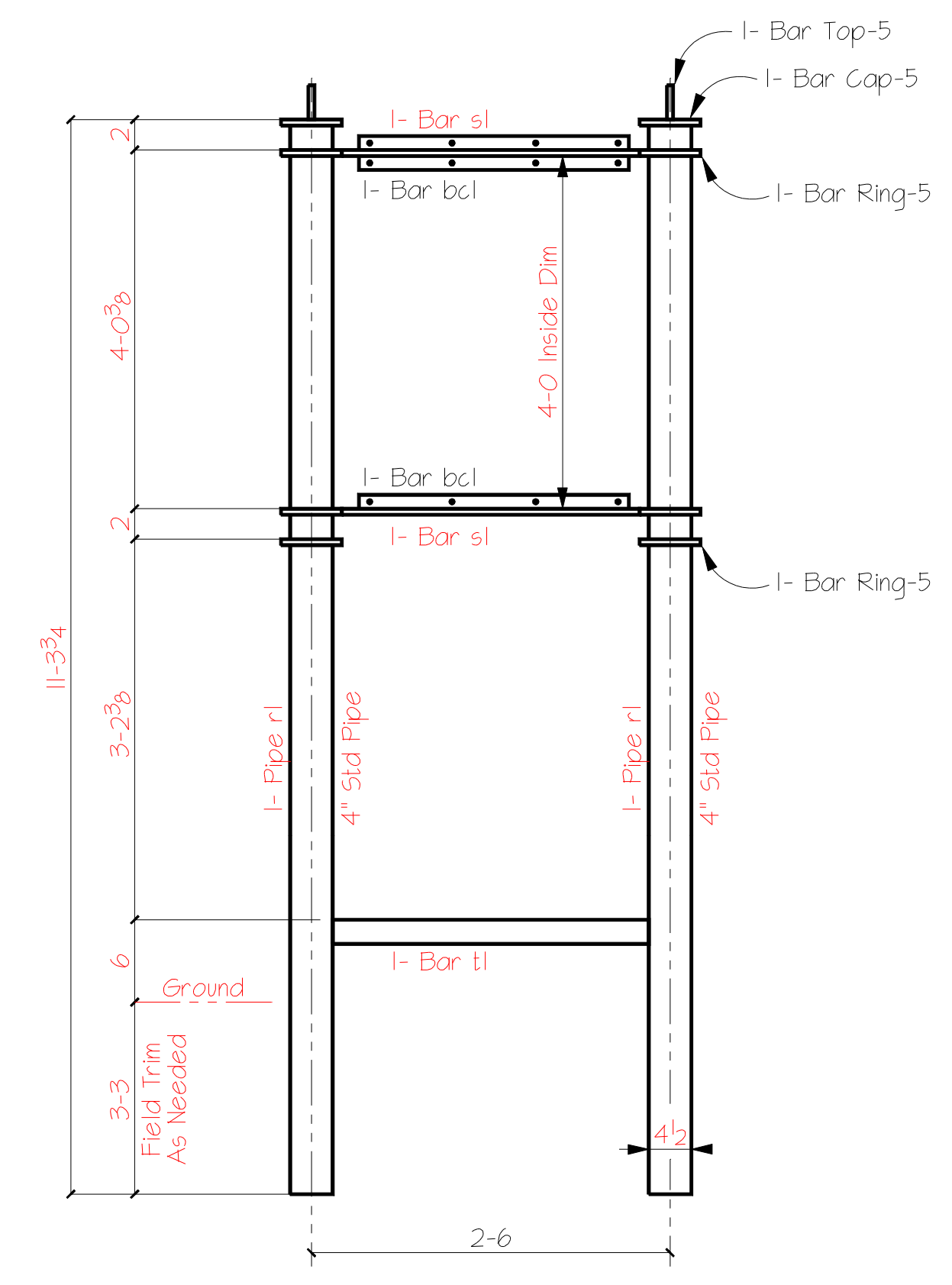
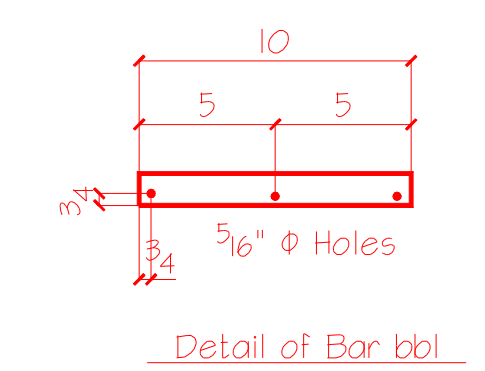
MARK	QTY	DESCRIPTION	LENGTH	REMARKS
Each		ISF1		
2	4	Sign Frame		
	jl	8	3 1/2" Std Pipe	10-0 3/8 4" OD
4	kl	16	Bar 3/8 x 3	3-3
2	Cap-4 3/4	8	Bar 3/8 x 4 3/4	0-4 3/4 Round
2	Top-4 3/4	4	Bar 3/8 x 2	0-4 3/4 1/2 Round
3	bal	6	Bar 3/8 x 2	3-2 w/ 5/16" Holes
6	Ring 412	16	Bar 3/8 x 4 3/4	0-4 3/4 Round
Each		ISF2		
2	ml	12	2 1/2" Std Pipe	10-0 5/8 2 1/8" OD
2	nl	12	Bar 3/8 x 3	0-11
1	pl	6	Bar 3/8 x 2	1-0 5/8
2	Cap-4 1/2	12	Bar 3/8 x 4 1/2	0-4 1/2 Round
2	Top-4 1/2	12	Bar 3/8 x 2	0-4 1/2 1/2 Round
6	Ring 4	36	Bar 3/8 x 4	0-4 Round
3	bb1	18	Bar 3/8 x 2	0-10 w/ 5/16" Holes
Each		ISF3		
2	rl	14	4" Std Pipe	11-3 3/4 4 1/2" OD
2	sl	14	Bar 3/8 x 3	2-1 1/2
1	tl	7	Bar 3/8 x 2	2-1 1/2
2	Cap-525	14	Bar 3/8 x 5	0-5 Round
2	Top-525	14	Bar 3/8 x 2 1/2	0-5 1/2 Round
6	Ring 525	42	Bar 3/8 x 5 1/4	0-5 1/4 Round
3	bcl	21	Bar 3/8 x 2	2-0 w/ 5/16" Holes



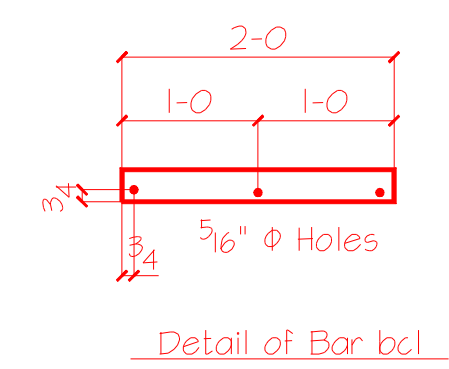
4 - Sign Frame - MK ISF1
MiniKiosk Interpretive - Ref TD5.1



6 - Sign Frame - MK ISF2
Accessible Parking - Ref TD3.1



7 - Sign Frame - MK ISF3
3-Qty Wayfinding Marker REF - TD8.1
4-Qty Park Ordinances REF - TD8.2



USE WHEN PLATE IS SHOWN W/ CLIP	1" INSIDE RAD ON CUTS & BLOCKS	Tail Dims To Cut End of Member	N5 = Place Item Near Side	F5 = Place Item Far Side	BS = Place Item Both Sides	Ctr'd = Place on Center Line	VIF = Verify In Field	C/C = Center 2 Center	UNO = Unless Noted otherwise	G01	G01-4

www.TexasSteelDetailers.com
JOB START DATE 7-17-10
DETAIL Dg 7-17-10
CHK.R
FN: AladoCreek.dwg LG: 7-20-10
abcdefghijklmnopqrstuvwxyz

- DESCRIPTION OF REVISIONS MADE TO DRAWING -	
1	
2	
3	
4	Revision Description Date

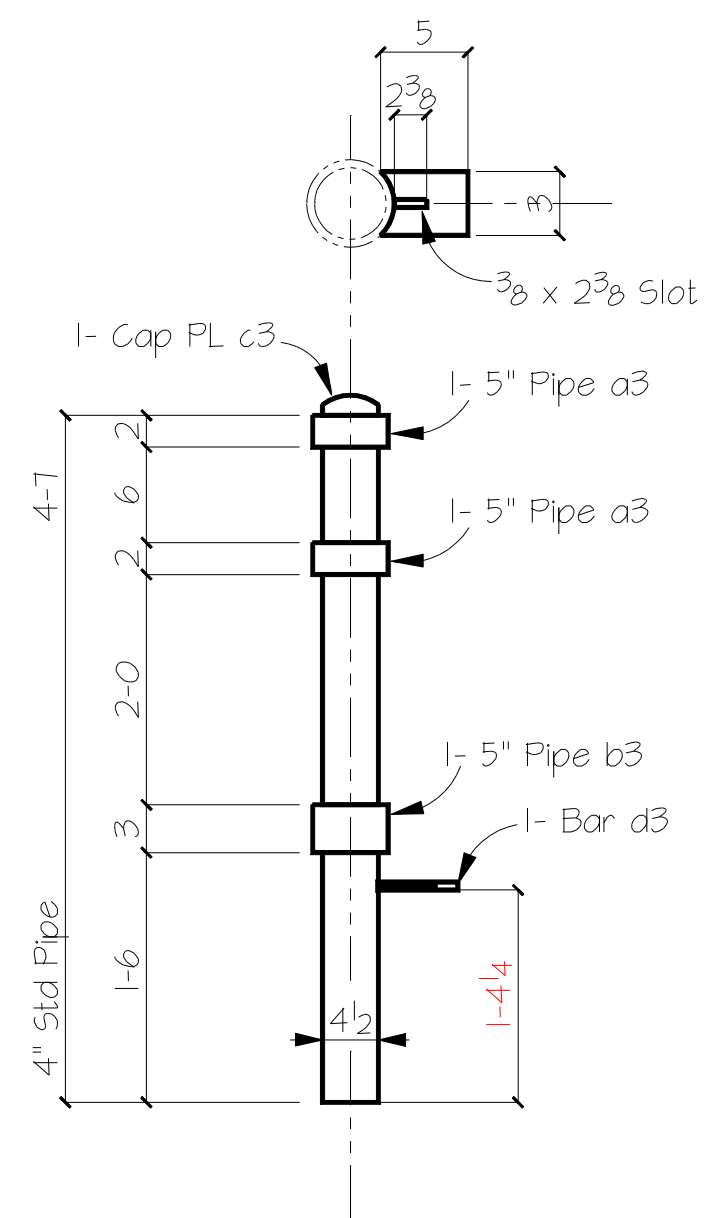
13/16" OPEN HOLE	3/16" FILLETS	E70xx ELECTRODES
COATING One S/C Red Oxide Primer		
MATERIAL GRADE SHELL BE	A36	U.N.O.
WF SHAPES	A992	TUBES A500
CHANNELS	A992	PIPEs A501 or A53
REFERENCE ?		

UNC Steel

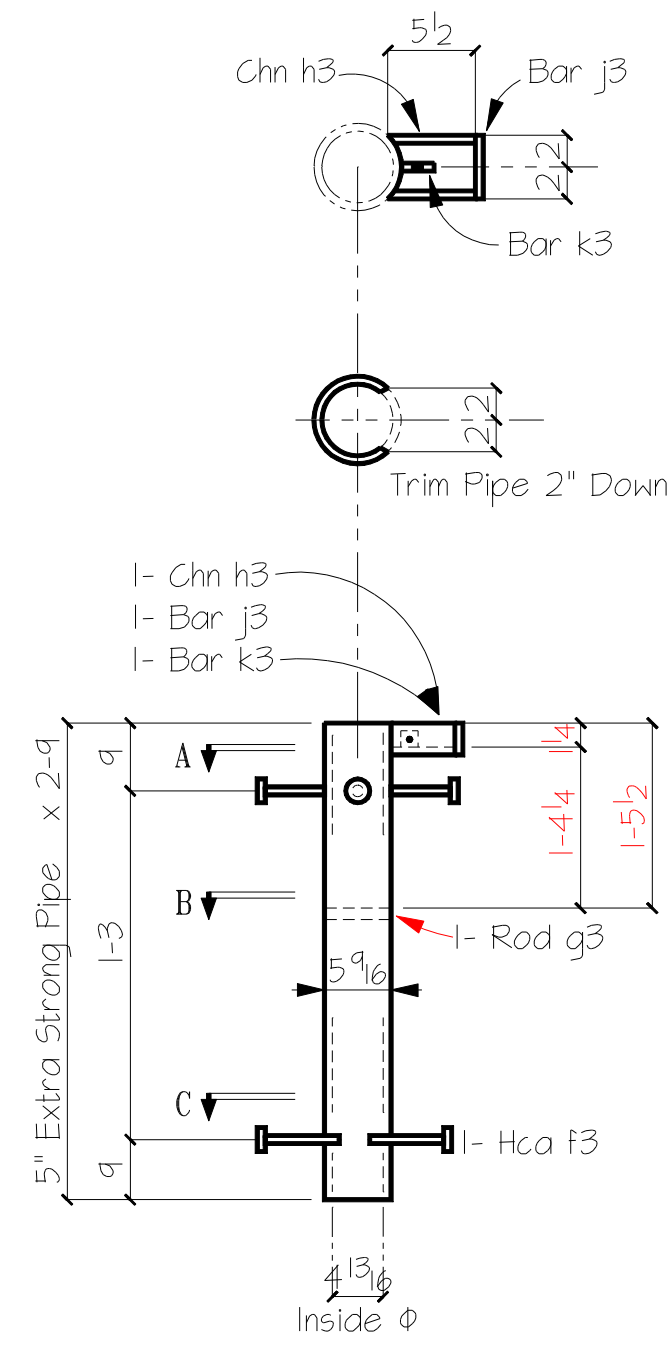
DETAILS OF Alado Creek Greenway
 PROJECT Hike & Bike Trails
 LOCATION Comanche Part - Willow Springs
 CUSTOMER City of San Antonio
 ARCHITECT Rialto Studio

APPROVED _____ TO SHOP _____

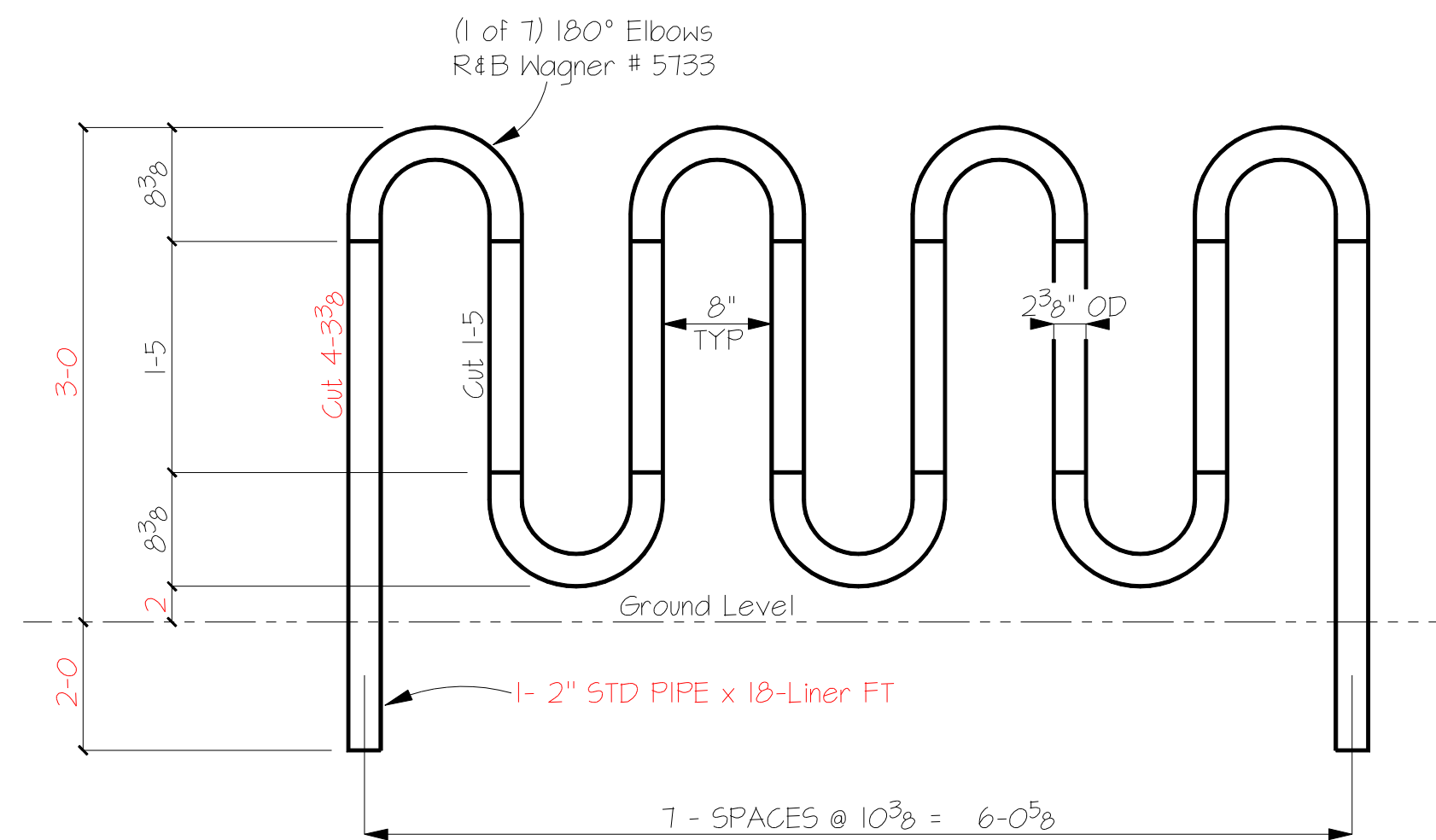
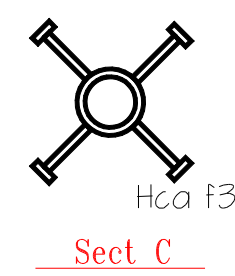
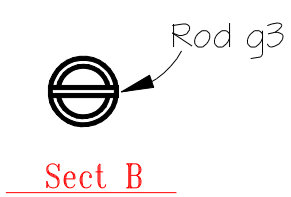
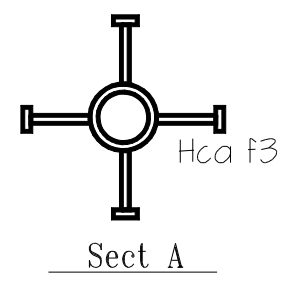
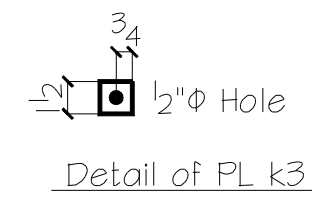
JOB # **Salado3** SHEET # **D1**



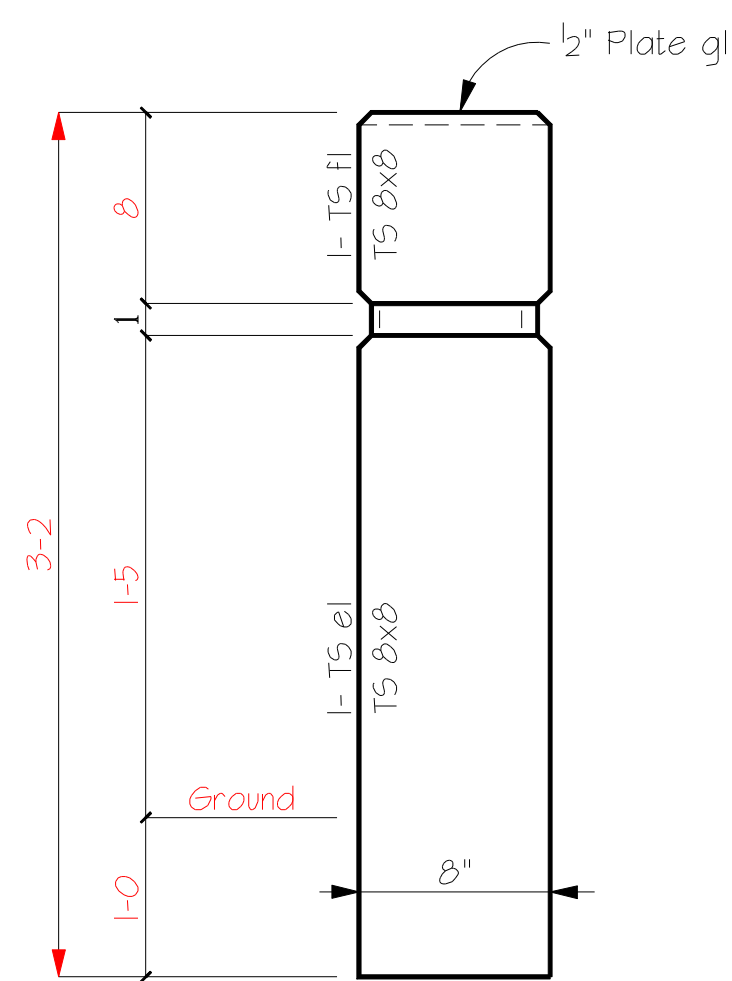
21- Bollards - MK 3PB2
Re-Movable - Ref TD14.1



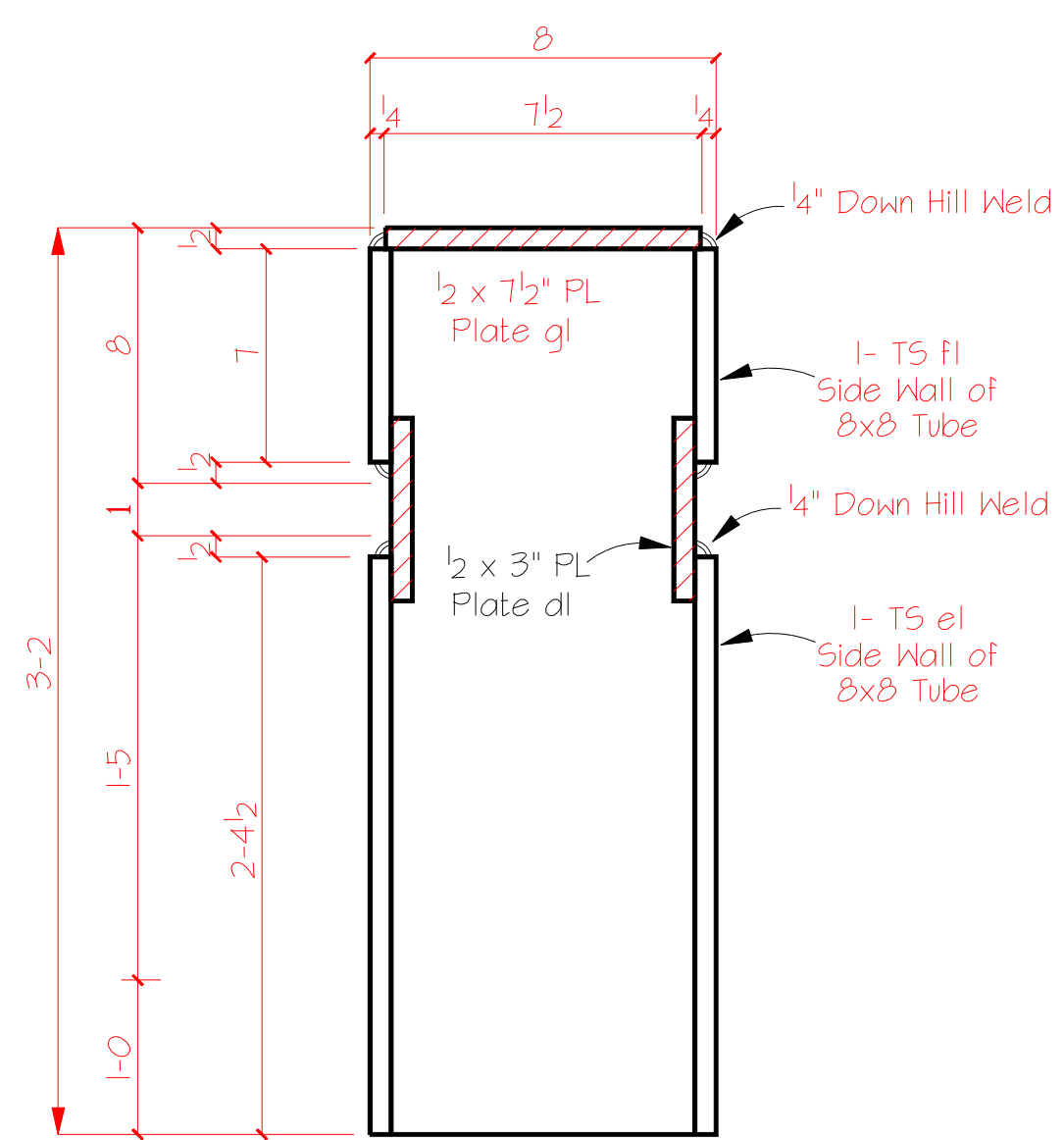
21- Bollards - MK 3PB3
Re-Movable - Ref TD14.1



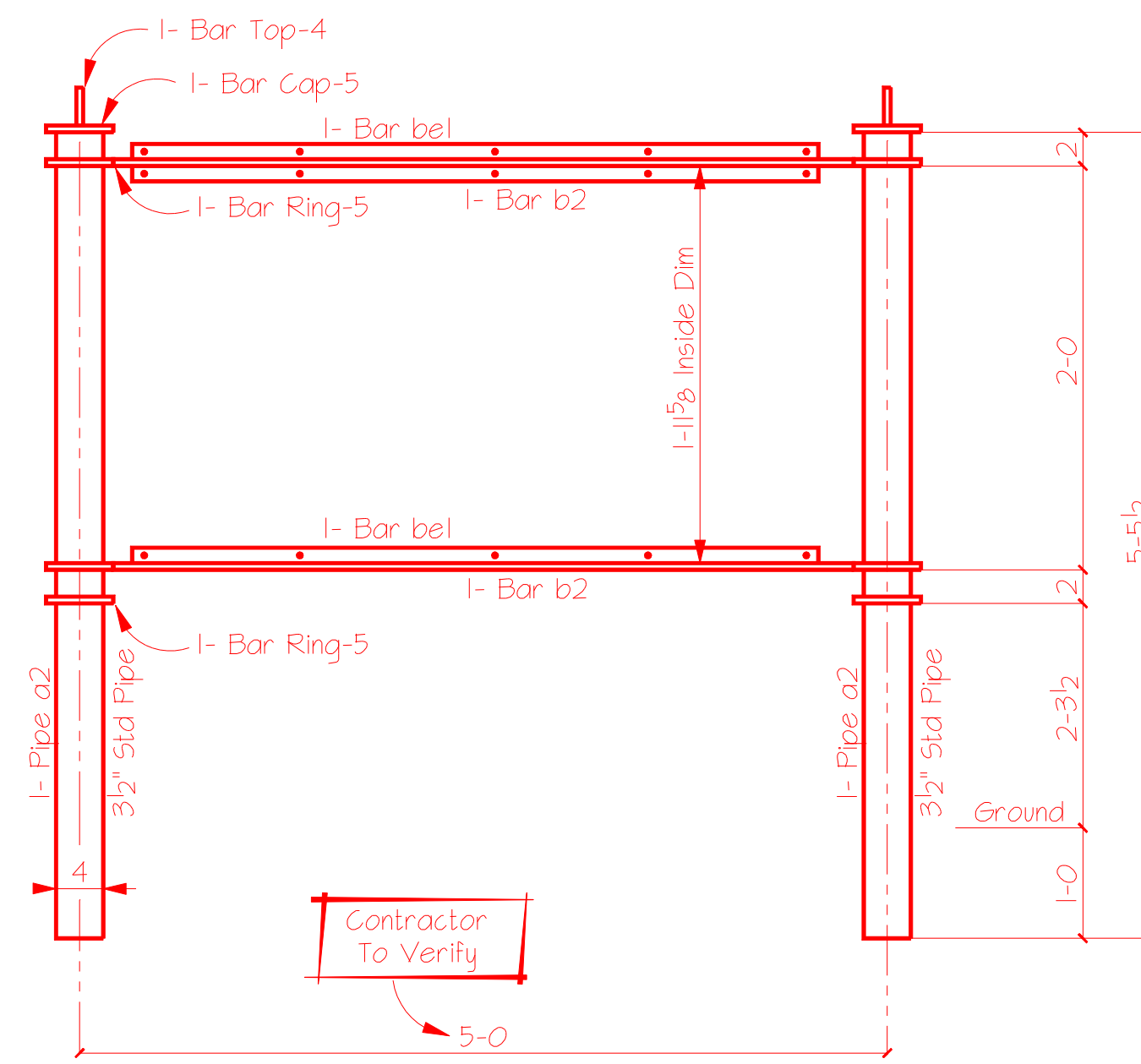
4 Bike Rack MK 3BR1
Similar To Dumor.com - 130 Series
Bike Racks Ref TD15.1



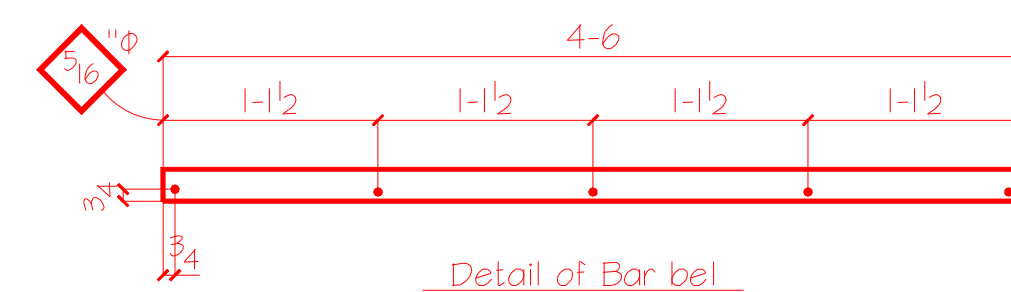
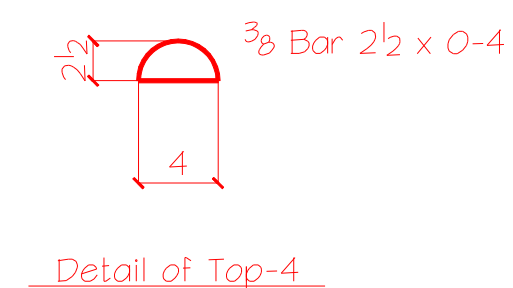
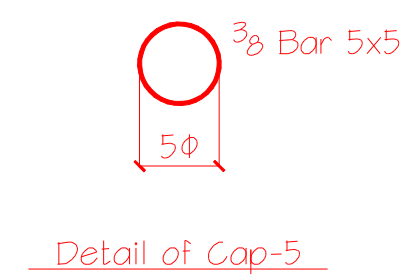
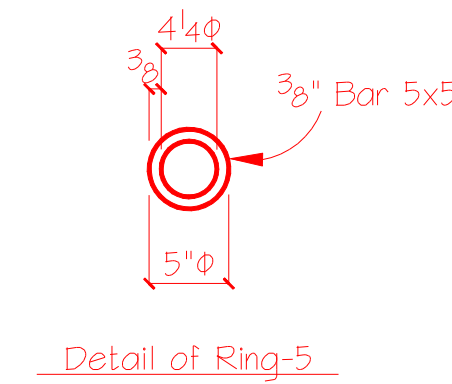
11 - Sign Post - MK 3SP1
1/4 Mile Marker - Ref TD9.1



Cut Through View



1 - Sign Frame - MK 3SF1
Monument Sign - Ref TD2.1



Detail of Bar bel

-- BILL OF MATERIAL --				
MARK	QTY	DESCRIPTION	LENGTH	REMARKS
3PB1	0	Not Used		
Each	21	4" Std Pipe	4-7	4 1/2" OD
2	42	5" X-Strong Pipe	0-2	5 9/16" OD
1	21	5" X-Strong Pipe	0-3	5 9/16" OD
1	21	4" Pipe Cap	By Out	
1	21	Bar 3/8 x 3	0-5	
Each	21	5" X-Strong Pipe	2-9	5 9/16" OD
8	168	1/2" φ HCA	0-4	
1	21	3/4" φ Rod	0-5 1/2	
1	21	C 4 x 5.4	0-5 1/2	
1	21	Bar 1/4 x 2	0-4	
1	21	Bar 3/16 x 1 1/2	0-1 1/2	
3BR1	4	2" STD PIPE	18-LinFT	2 3/8" OD
s3	28	180° Elbow	RBN # 5133	
Each	11	Sign Post		
1	11	TS 8 x 8 x 1/2	2-4 1/2	
1	11	TS 8 x 8 x 1/2	0-7	
1	11	Bar 1/2 x 7 1/2	0-7 1/2	
4	44	Bar 1/2 x 3	0-7	
3SF1	1	Sign Frame		
z3	2	3 1/2" Std Pipe	5-5 1/2	4" OD
y3	2	Bar 3/8 x 3	4-7	
Cap-5	2	Bar 3/8 x 5 φ	0-5	Round
Top-4	2	Bar 3/8 x 2 1/2	0-4	
Ring-5	8	Bar 3/8 x 5	0-5	Round
bel	3	Bar 3/8 x 2	4-6	w/ 5/16 φ Holes

DESCRIPTION OF REVISIONS MADE TO DRAWING

1	
2	
3	
4	Revision Description

13/16" φ	3/16"	E70xx
OPEN HOLE	FILLETS	ELECTRODES
COATING One S/C Red Oxide Primer		
MATERIAL GRADE	SHELL BE	A36 U.N.O.
WF SHAPES	A992	TUBES A500
CHANNELS	A992	PIPEs A501 or A53

UNC Steel

DETAILS OF Alado Creek Greenway
 PROJECT Hike 4 Bike Trails
 LOCATION Comanche Part - Willow Springs
 CUSTOMER City of San Antonio
 ARCHITECT Rialto Studio

www.TexasSteelDetailers.com
 JOB START DATE 7-17-10
 DETAIL Dg 7-17-10
 CHK.R
 FN: AladoCreek.dwg LG: 7-20-10
 abcdefghijklmnopqrstuvwxyz

REF DWG ?

REFERENCE ?

APPROVED TO SHOP
 JOB #
 SHEET #
Salado3 D3