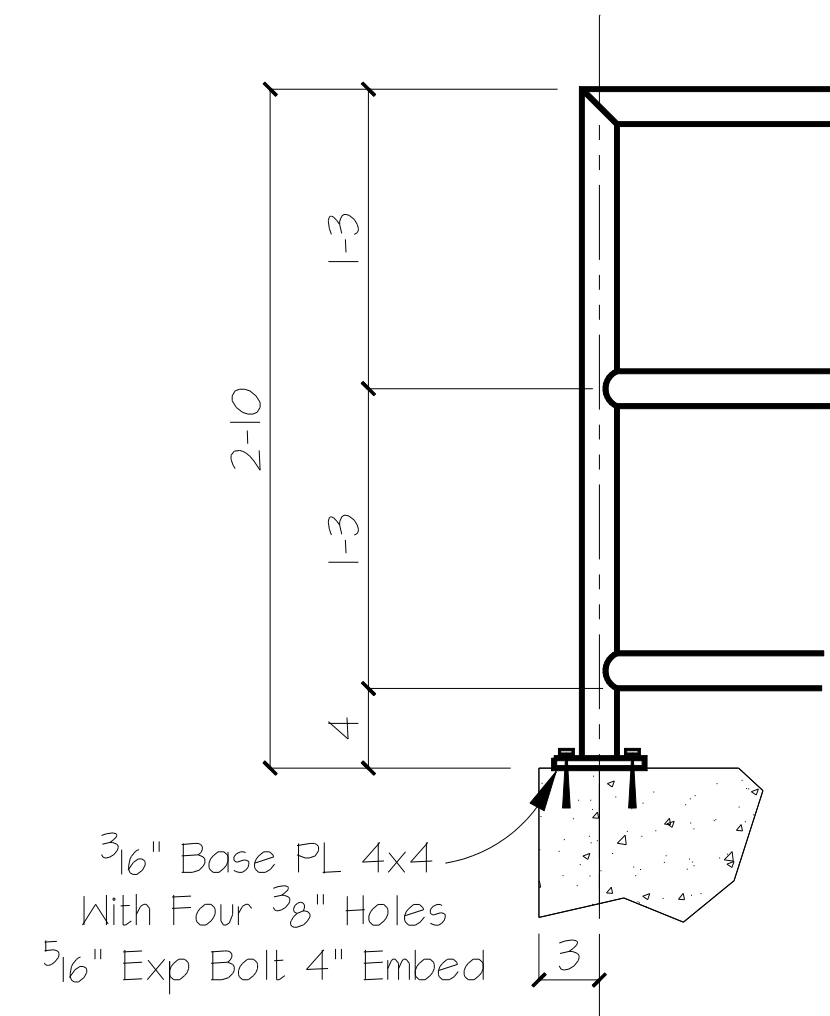
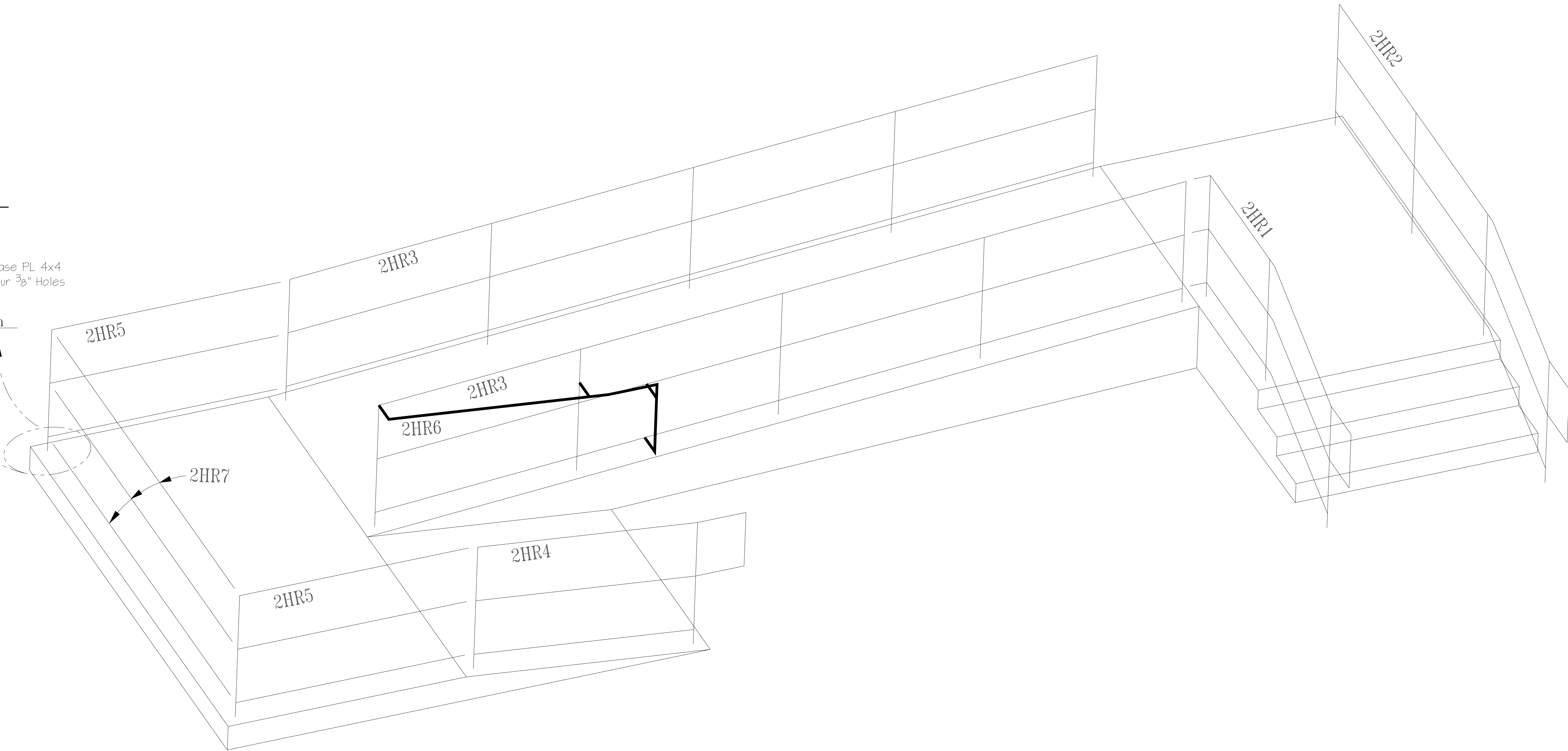


Typ Post Location

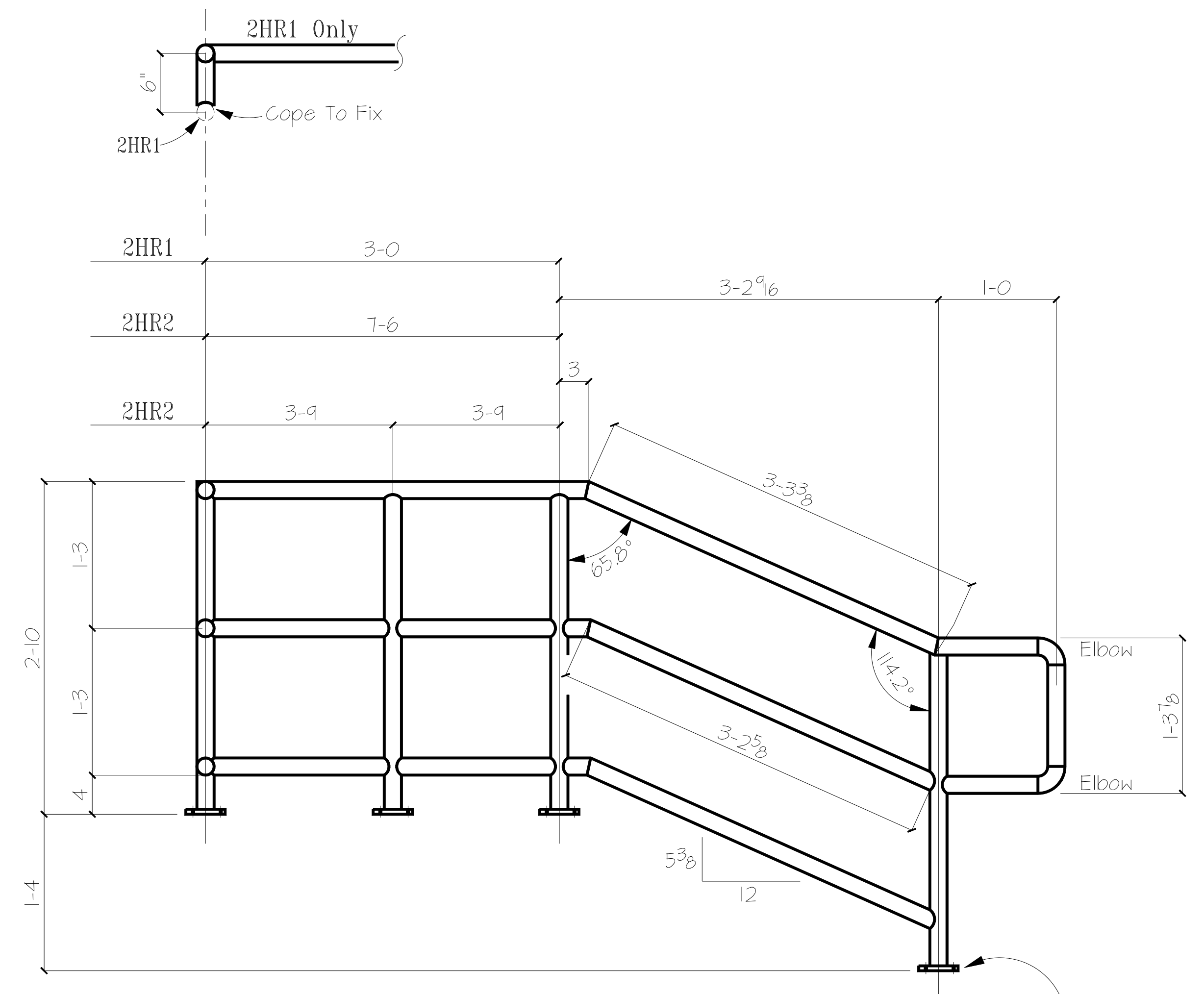


UNC Steel
 DETAILS OF Handrails For Ramp
 CUSTOMER Stanley Tools Storage Building
 ARCHITECT _____
 PROJECT External Facility
 LOCATION _____

DETAIL <u>D6</u> <u>6-2-10</u>	JOB # _____	SHEET # _____
CHK.R <u>tsd</u> <u>6-2-10</u>	Rails	E2

- BILL OF MATERIAL -

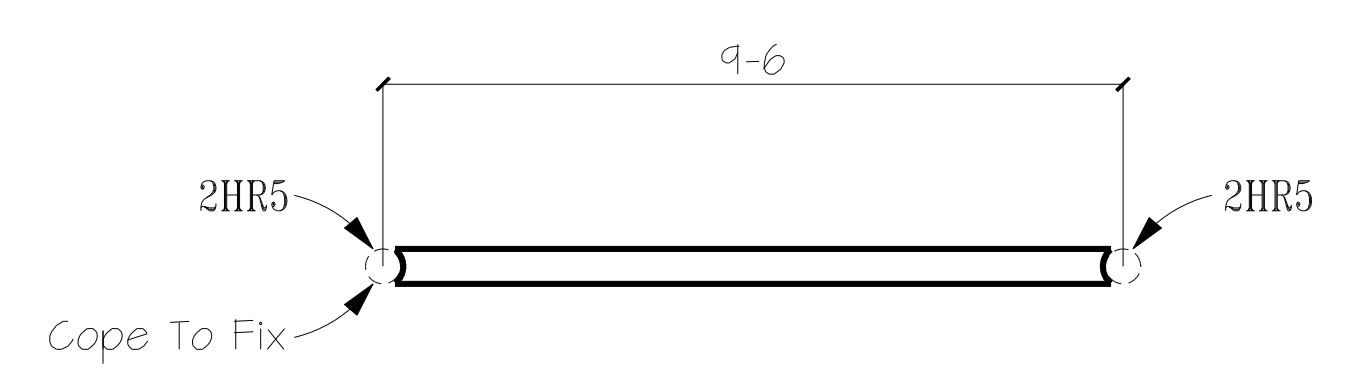
MARK	QTY	DESCRIPTION	LENGTH	REMARKS
2HR1	1	1/4" Std Pipe	33 LinFT	
2HR2	1	1/4" Std Pipe	46 LinFT	
2HR3	2	1/4" Std Pipe	65 LinFT	
2HR4	1	1/4" Std Pipe	24 LinFT	
2HR5	2	1/4" Std Pipe	16 LinFT	
2HR6	1	1/4" Std Pipe	12 LinFT	
2HR7	3	1/4" Std Pipe	10 LinFT	
Base PL	24	3/16" Thk PL 4 x 4	SSS Part # WT7	
Elbow	10	1/4" Pipe 90° Elbow	SSS # EL 11490R	
Field Bolts	100	5/16"Φ Expansion Bolt	0-5"	



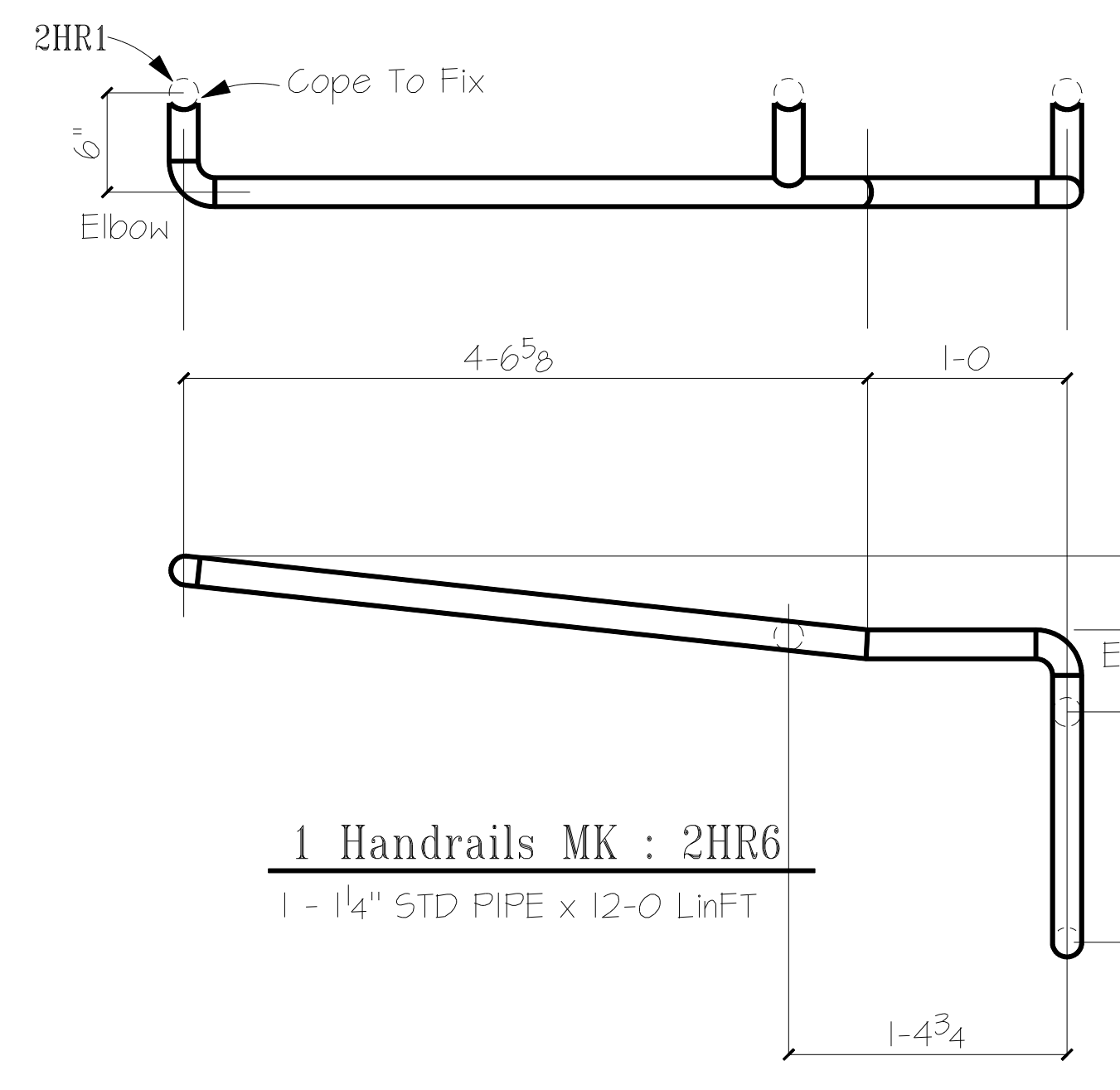
1 Handrails MK : 2HR1
1 - 1/4" STD PIPE x 33-0 LinFT

1 Handrails MK : 2HR2
1 - 1/4" STD PIPE x 46-0 LinFT

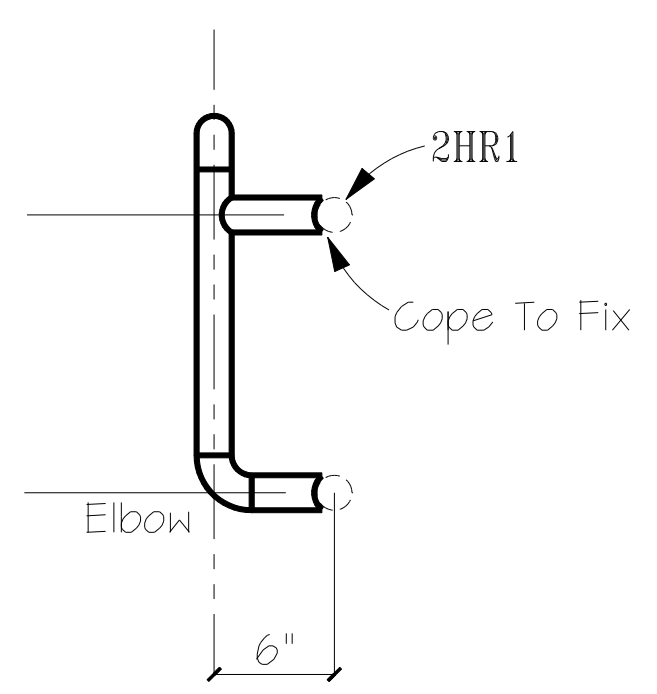
3/16" Base PL 4x4
W/ Four 3/8"Φ Holes
SSS Part # WT7



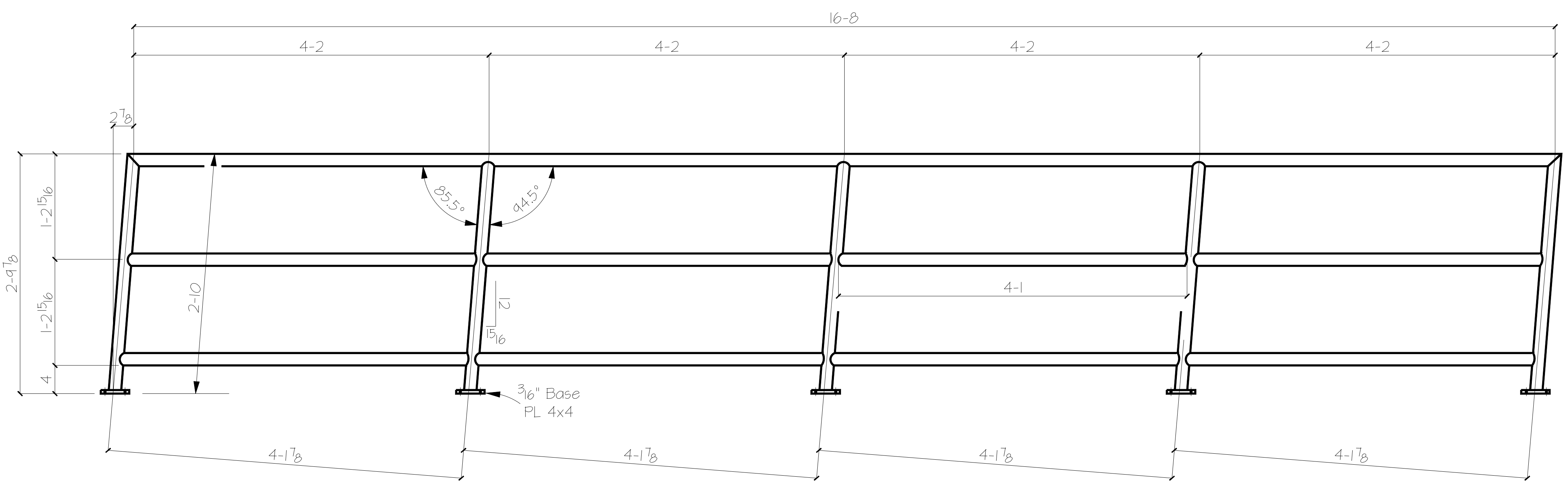
3 Handrails MK : 2HR7
1 - 1/4" STD PIPE x 10-0 LinFT



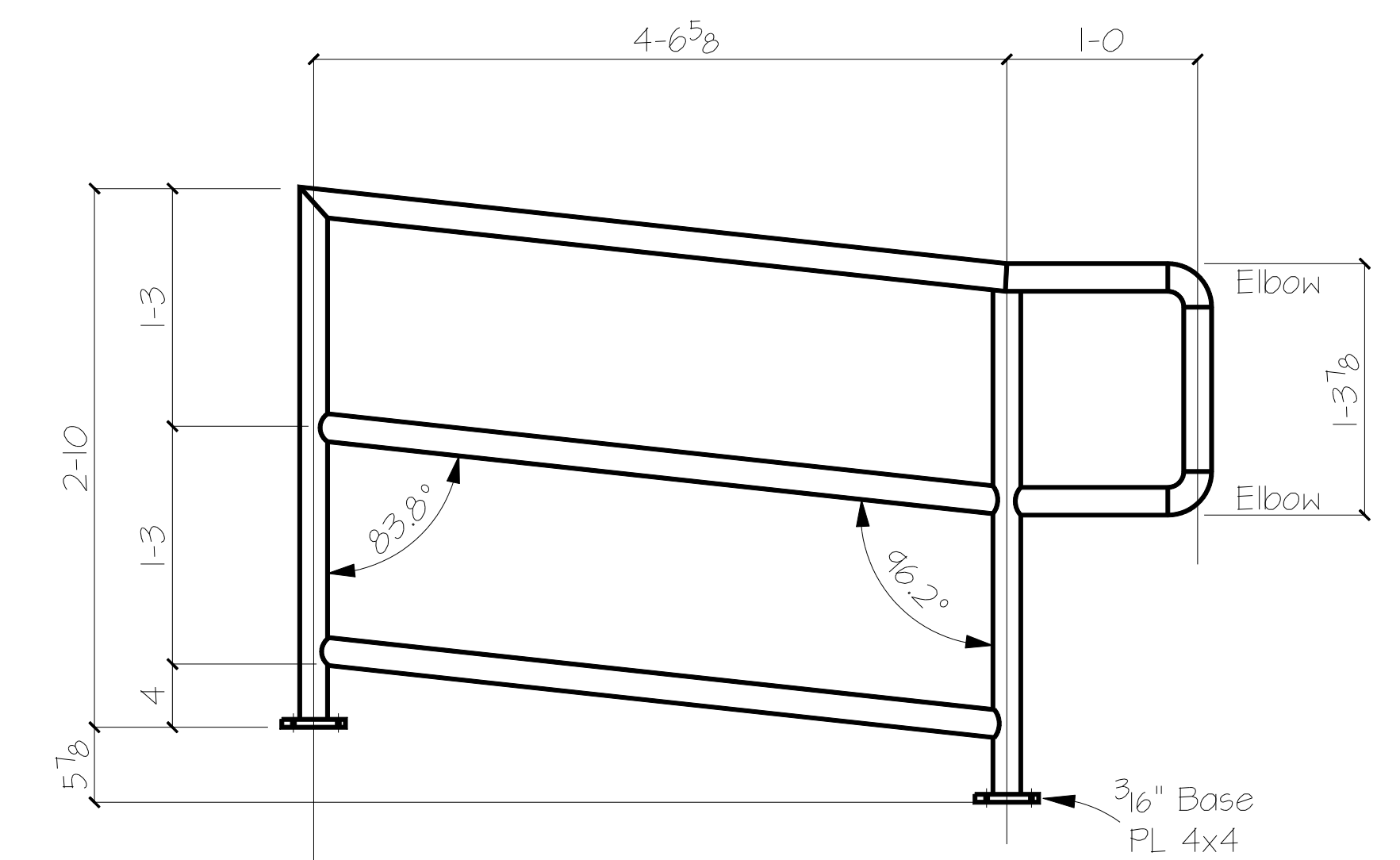
1 Handrails MK : 2HR6
1 - 1/4" STD PIPE x 12-0 LinFT



2 Handrails MK : 2HR5
1 - 1/4" STD PIPE x 18-0 LinFT



2 Handrails MK : 2HR3
1 - 1/4" STD PIPE x 65-0 LinFT



1 Handrails MK : 2HR4
1 - 1/4" STD PIPE x 24-0 LinFT

UNC Steel
 DETAILS OF Handrails For Ramp
 CUSTOMER Stanley Tools Storage Building
 ARCHITECT
 PROJECT External Facility
 LOCATION

DETAIL	DG	6-2-10	JOB #		SHEET #
CHK.R	tsd	6-2-10	Rails		2