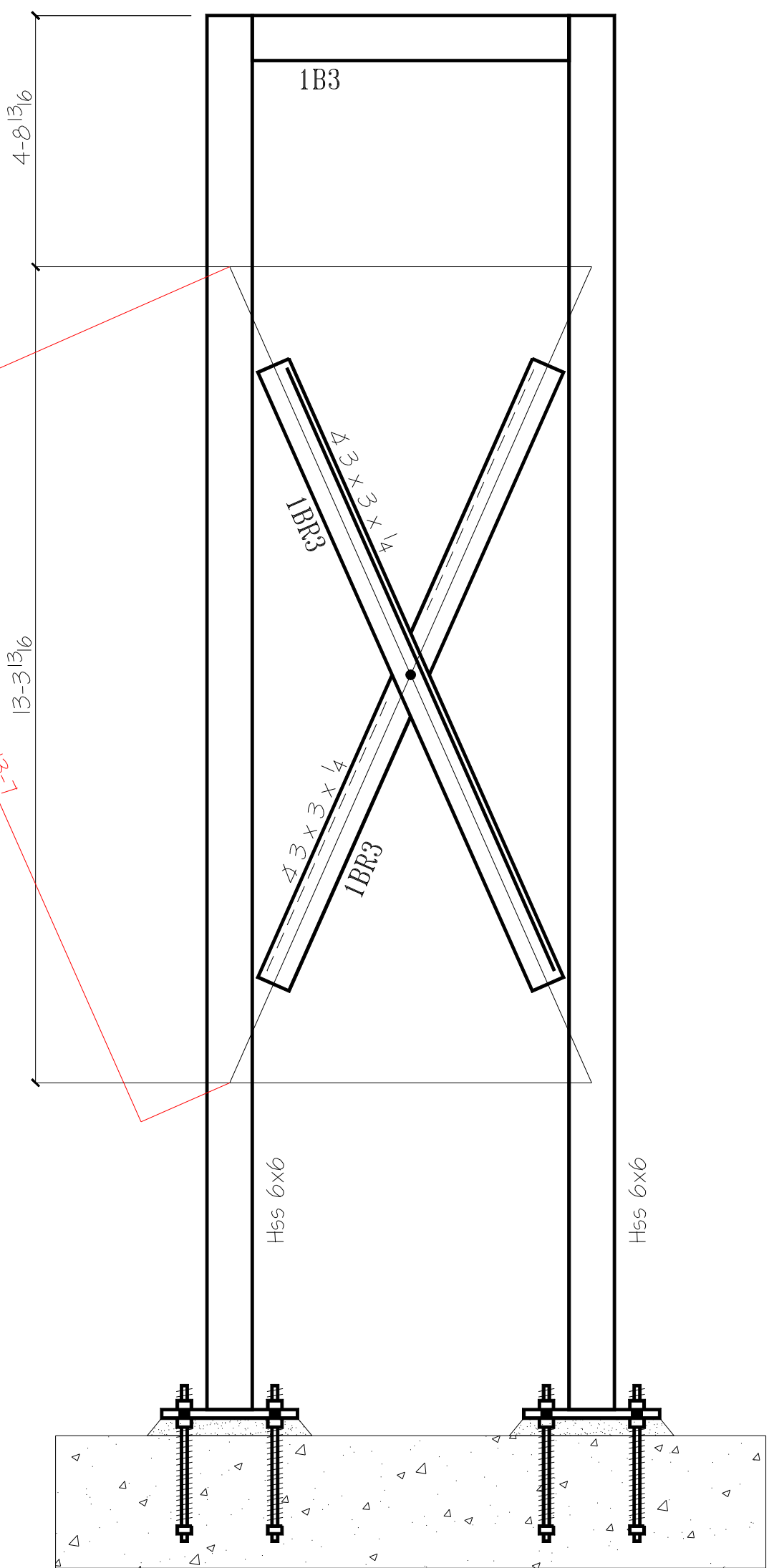
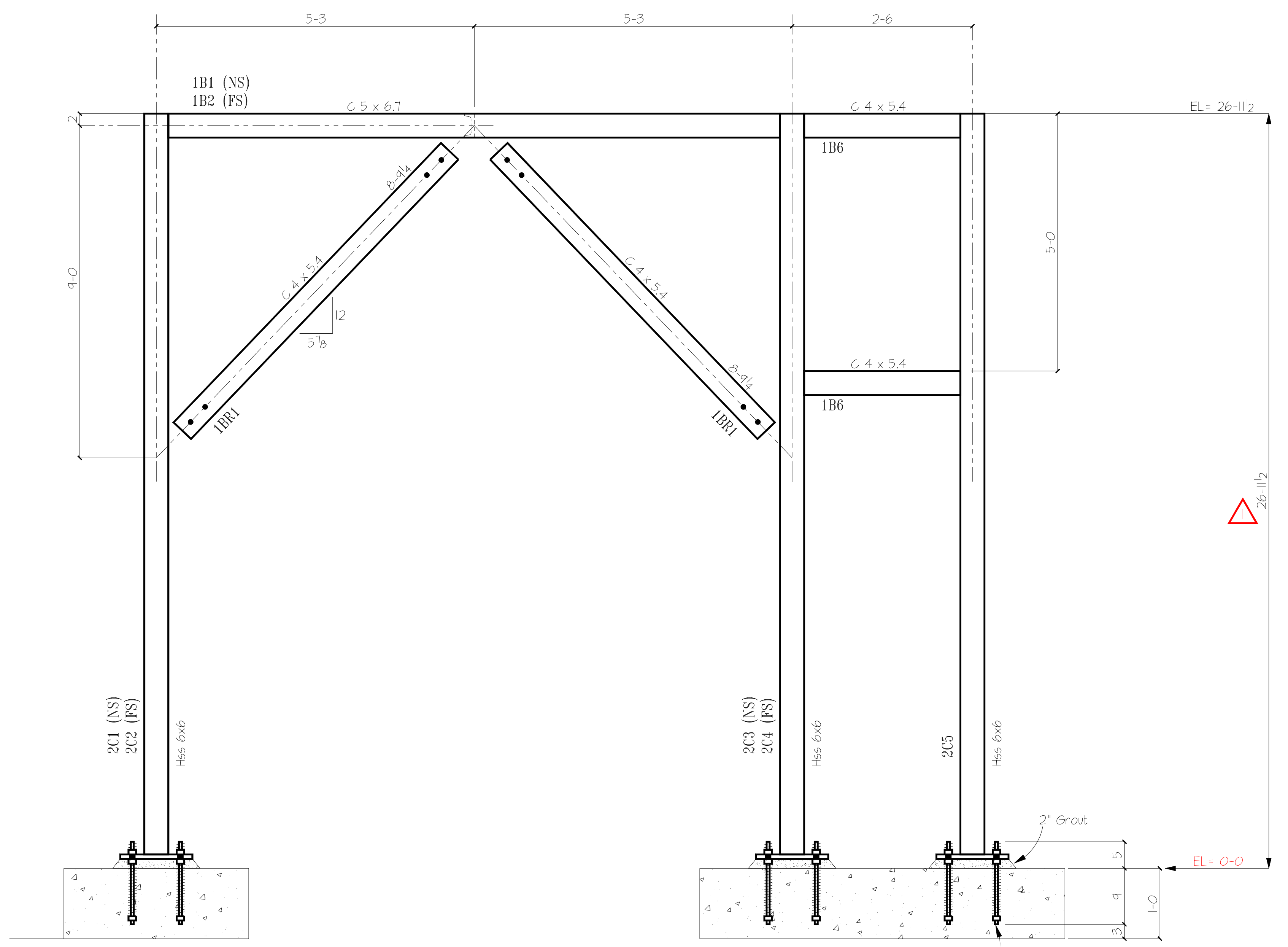


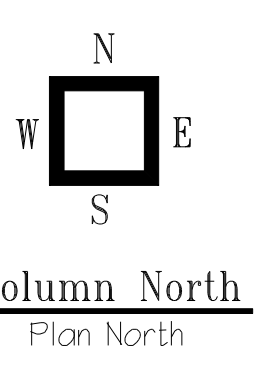
Top View



Side View



Elevation View



- DESCRIPTION OF REVISIONS MADE TO DRAWING -

1	Update Per Field Dim of Column Height	12-8-10
2		
3		
4	Revision Description	Date

www.texassteel.com
 JOB START DATE 10-2-10
 DETAIL Dg 10-3-10
 CHK.R tsd 10-29-10
 FR: PipeRack.dwg
 abcdefghkmpqrstvwxyz

13/16" Ø	3/16"	E70XX
OPEN HOLE	FILLETS	ELECTRODES
COATING One 5/C Red Oxide Primer		
MATERIAL GRADE SHELL BE	36ksi	U.N.O.
WF SHAPES	TUBES	46ksi
CHANNELS	36ksi	PIPES
REFERENCE	Sheet 51	

J & S Steel
 Structural Steel Fabricators

DETAILS OF Framing Plan
 PROJECT Pipe Support Rack
 LOCATION
 CUSTOMER
 ENGINEER

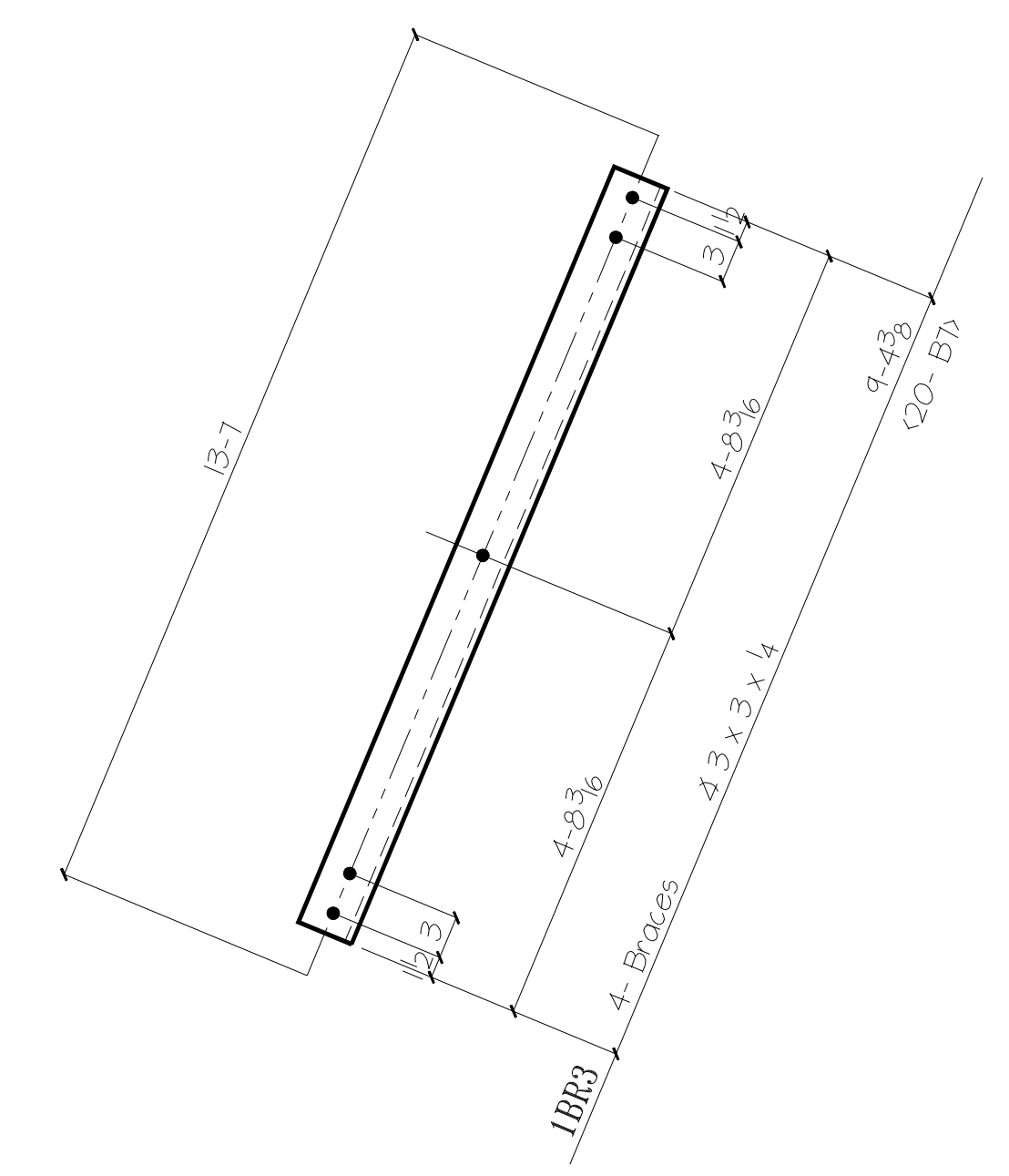
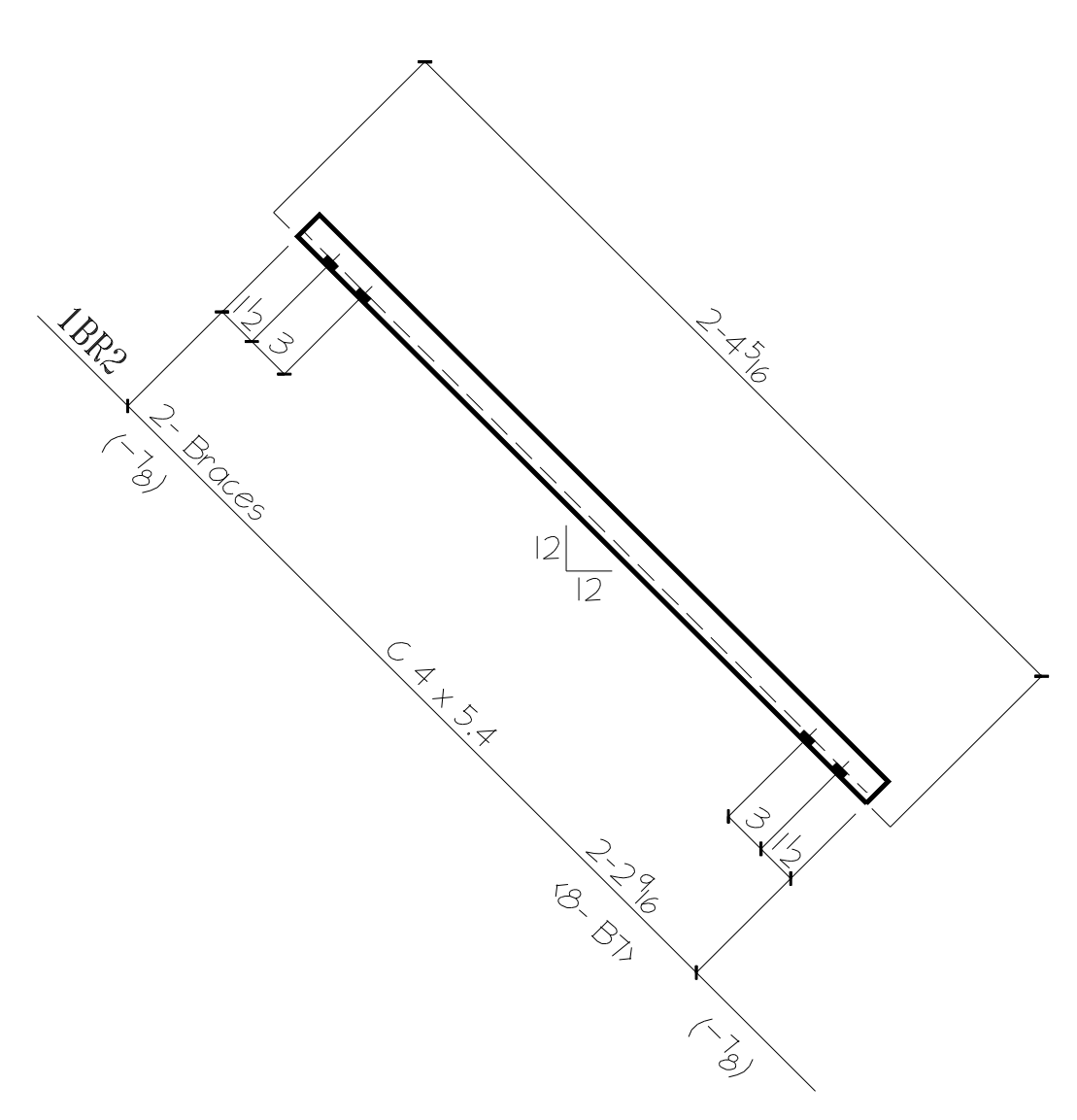
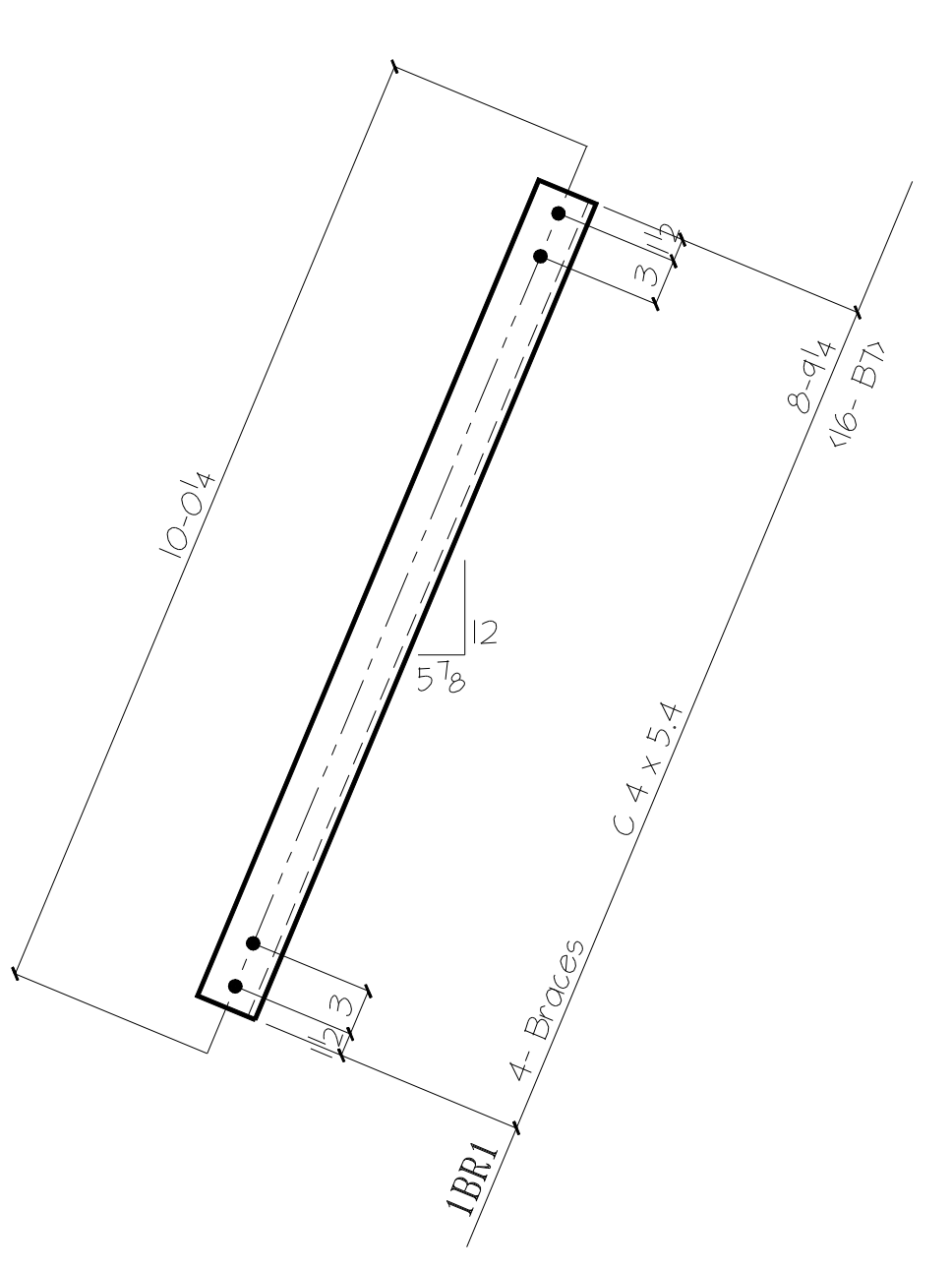
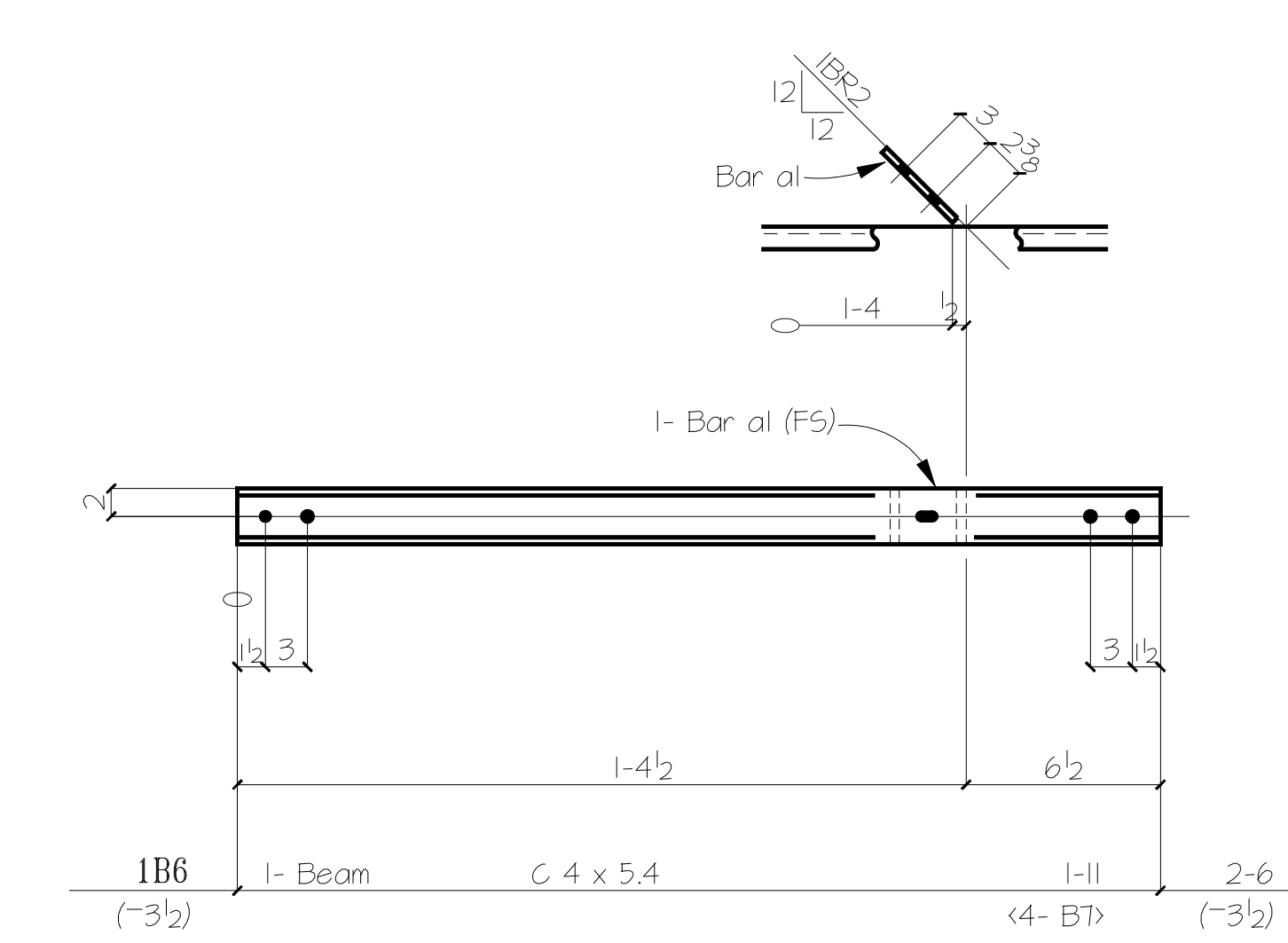
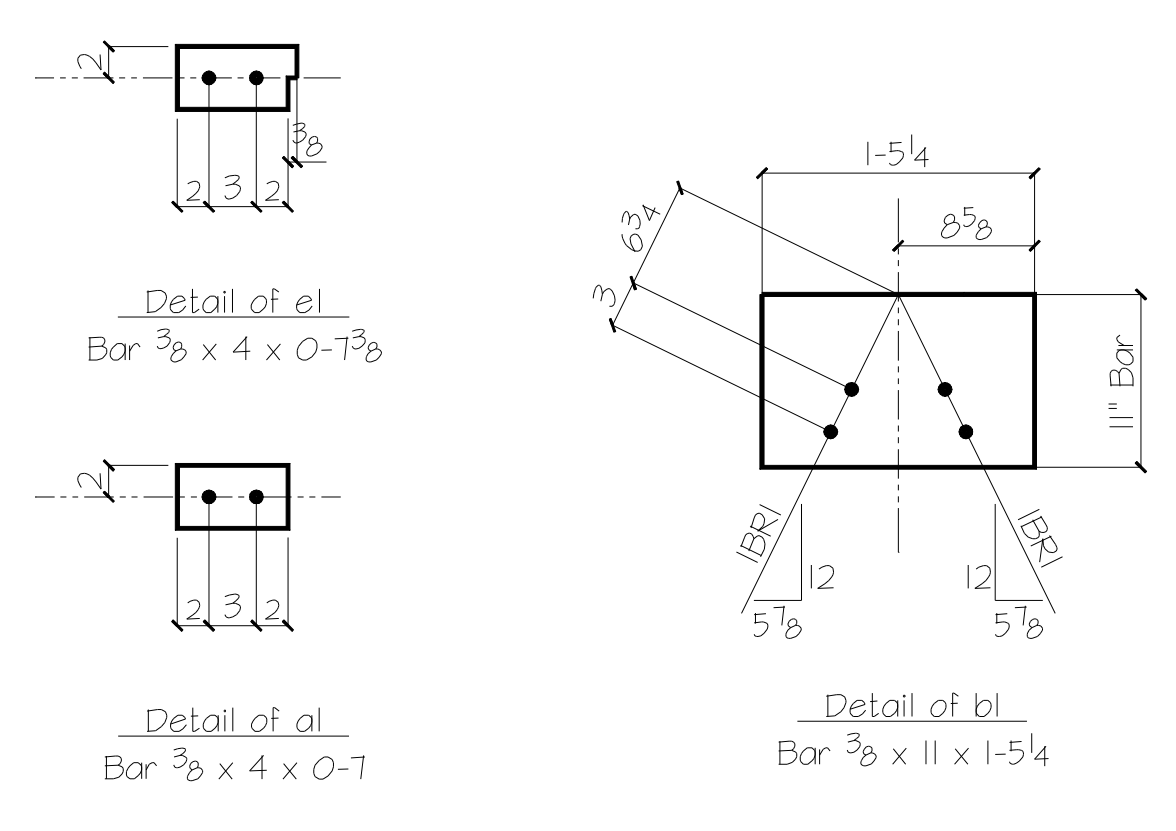
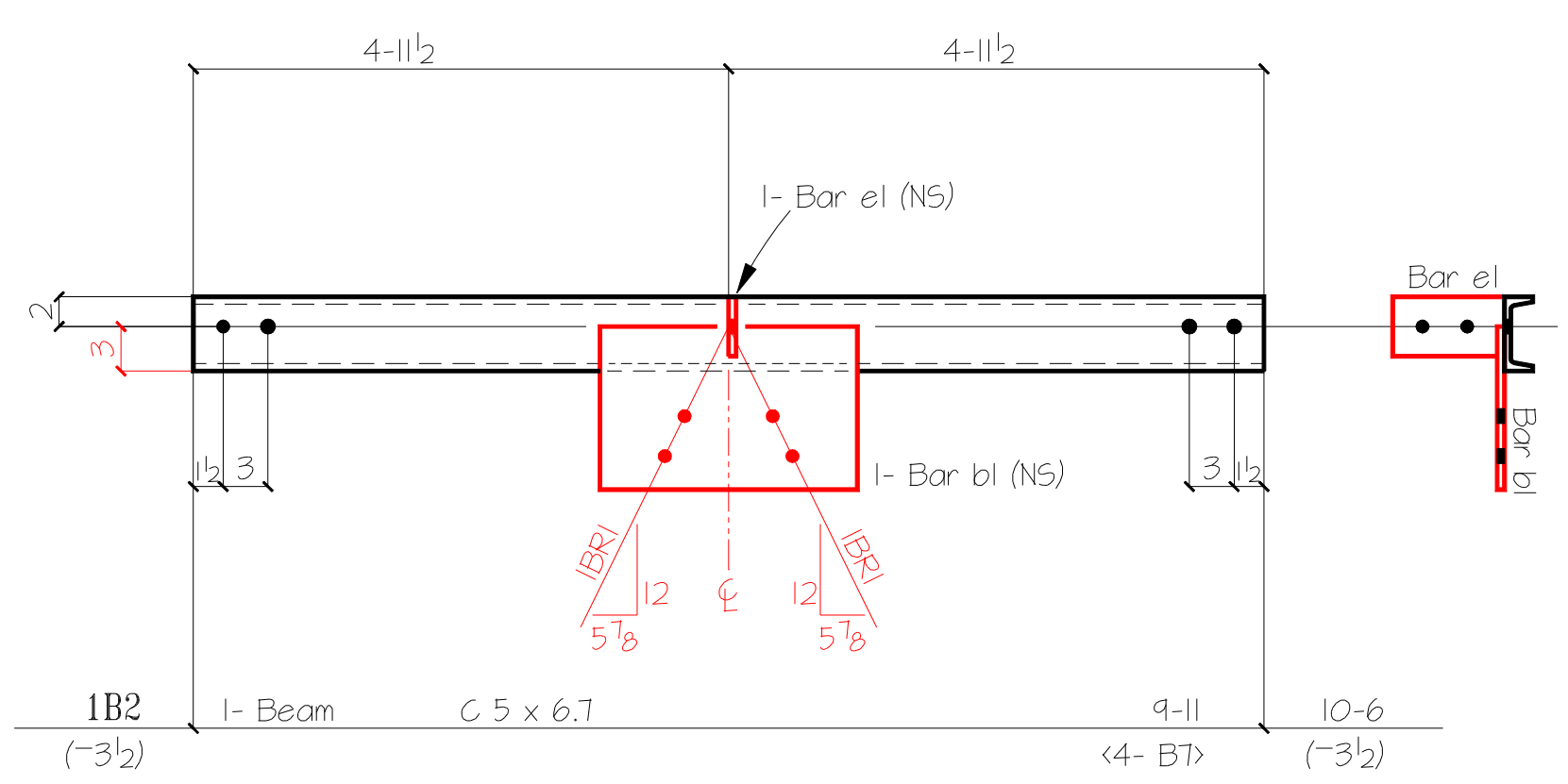
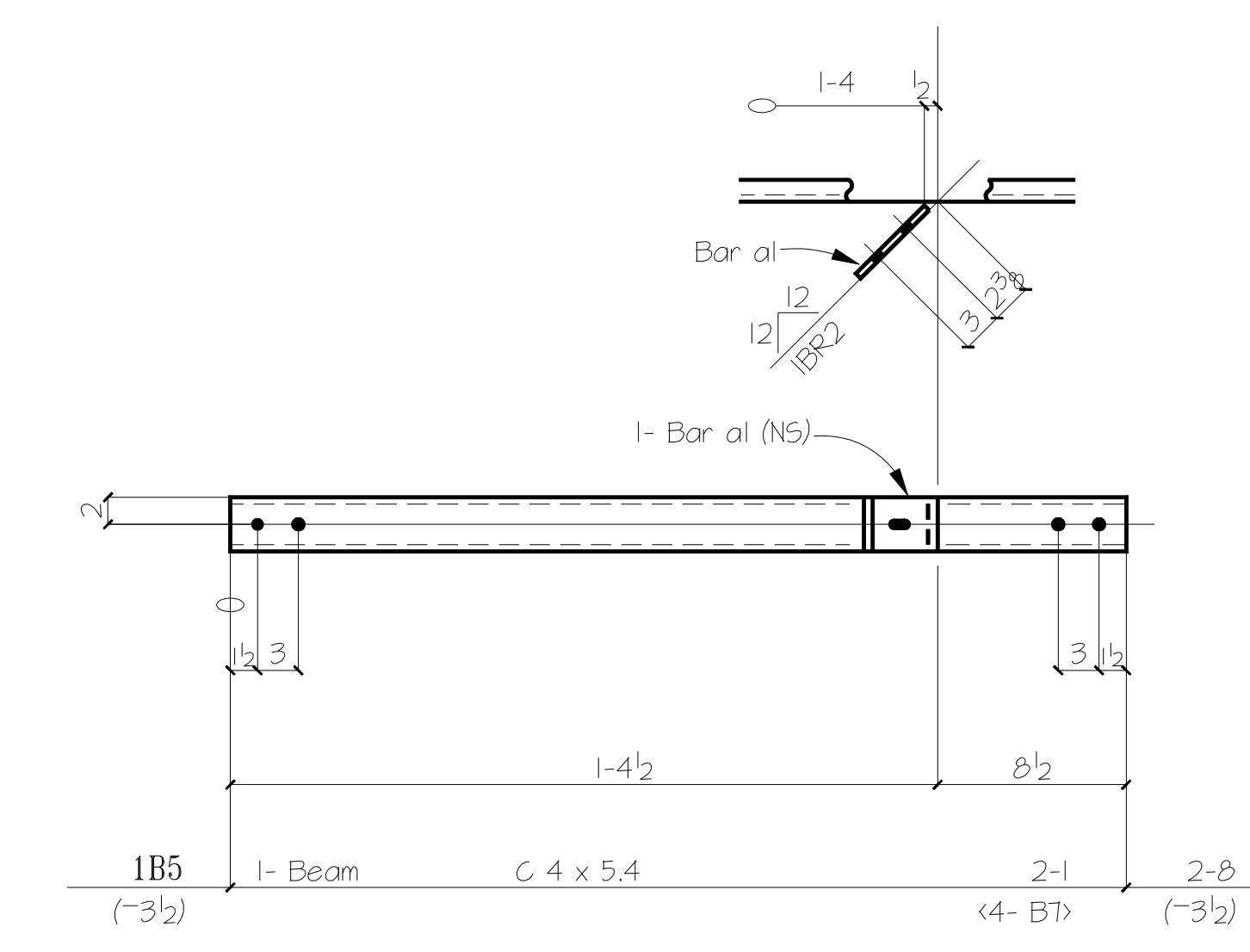
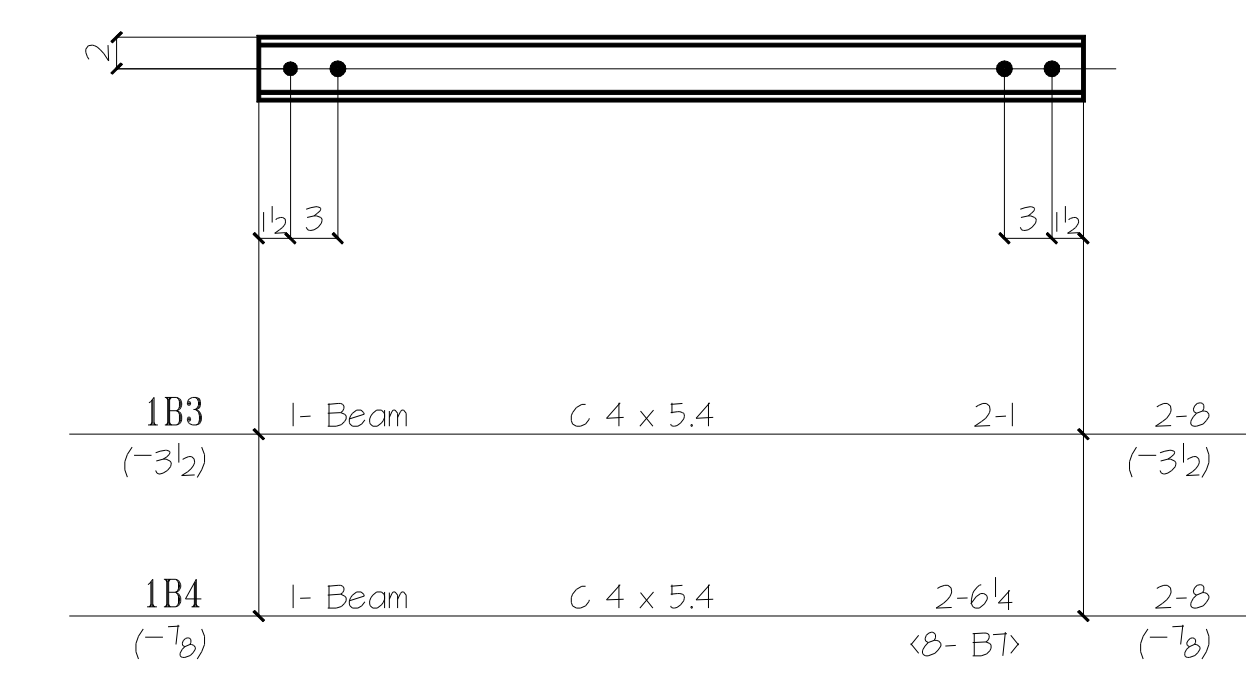
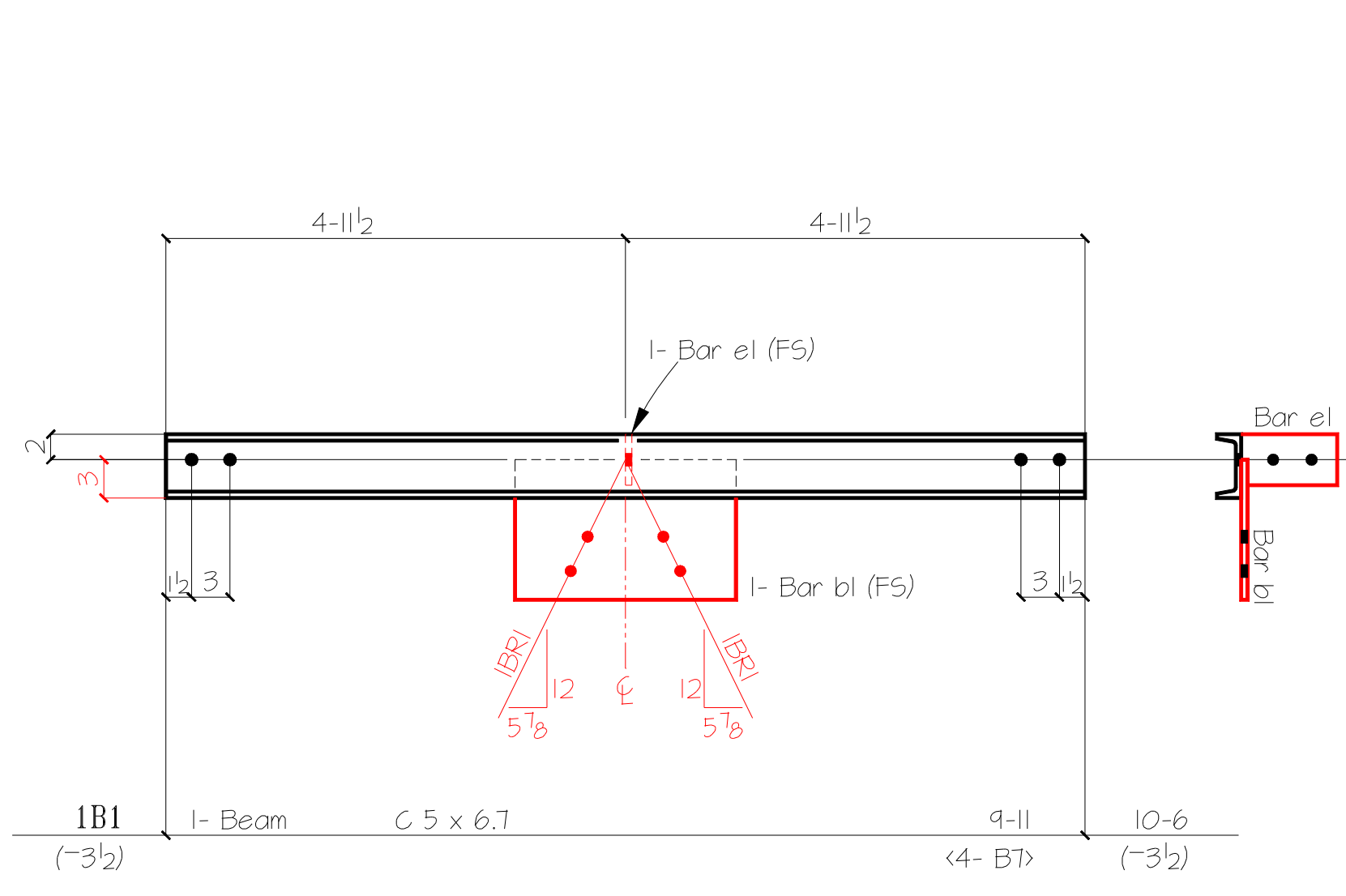
APPROVED 12-7-10
 TO SHOP 12-8-10

JOB #
 SHEET # **E1**

Rev#1

REF DWG Persyn # 6292 Sheets 51 & 52

- BILL OF MATERIAL -					INSPECTION	
MARK	QTY	DESCRIPTION	LENGTH	REMARKS	WELDER	FINALE
1B1	1	C 5 x 6.7	9-11			
el	1	Bar 3/8 x 4	0-7 3/8			
bl	1	Bar 3/8 x 11	1-5 1/4			
1B2	1	C 5 x 6.7	9-11			
el	1	Bar 3/8 x 4	0-7 3/8			
bl	1	Bar 3/8 x 11	1-5 1/4			
1B3	1	C 4 x 5.4	2-1			
1B4	1	C 4 x 5.4	2-6 1/4			
1B5	1	C 4 x 5.4	2-1			
al	1	Bar 3/8 x 4	0-7			
1B6	1	C 4 x 5.4	1-11			
al	1	Bar 3/8 x 4	0-7			
1BR1	4	C 4 x 5.4	8-9 1/4			
1BR2	2	C 4 x 5.4	2-2 1/6			
1BR3	4	4 3 x 3 x 1/4	9-4 3/8			



Field Bolt List
 6Ø - 3/4" A325 x 0-1 3/4 (BT)
 6Ø - 3/4" Nuts & Washers

USE WHEN PLATE IS SHOWN W/ CLIP

1" INSIDE RAD ON CUTS & BLOCKS

Tail Dims to Cut End of Member

NS = Place Item Near Side
 FS = Place Item For Side
 BS = Place Item Both Sides
 Ctr'd = Place on Center Line

VIF = Verify In Field
 C/C = Center 2 Center
 UNO = Unless Noted otherwise

GO

GO=4

www.texassteel.com
 JOB START DATE 10-2-10
 DETAIL Dg 10-3-10
 CHK.R Isd 10-29-10
 File PipeRack.dwg
 1/1/1/1ghkmpqrs1vwyz

- DESCRIPTION OF REVISIONS MADE TO DRAWING -	
1	
2	
3	
4	Revision Description

REF DWG Persyn # 6292 Sheets S1 & S2

13/16"	3/16"	E70xx
OPEN HOLE	FILLETS	ELECTRODES
COATING One S/C Red Oxide Primer		
MATERIAL GRADE SHELL BE 36ksi U.N.O.		
WF SHAPES	TUBES	46ksi
CHANNELS	PIPES	

J & S Steel
 Structural Steel Fabricators

DETAILS OF Beams & Bracing
 PROJECT Pipe Support Rack
 LOCATION
 CUSTOMER
 ENGINEER

APPROVED 12-7-10
 TO SHOP 12-8-10

JOB #
 SHEET # **D1**

Mat'l Buy List

1	C 4 x 5.4	15-0
1	C 5 x 6.7	20-0
2	C 4 x 5.4	20-0
5	Hss 6 x 6 x 1/4	30-0
1	4 3 x 3 x 1/4	40-0
20	Rod 1" Ø	1-2
5	PL 3/4 x 15	1-3
1	Bar 1/4 x 6	6-Lin FT
1	Bar 3/8 x 4	11-Lin FT
1	Bar 3/8 x 6	6-Lin FT
1	Bar 3/8 x 7 1/2	4-Lin FT
1	Bar 3/8 x 11	3-Lin FT

Cutting List

1	C 4 x 5.4	15-0					
	IB3	IB5	IB4	IB6	IBR2	IBR2	Drop
	2-1	2-1	2-6 1/4	1-11	2-2 1/16	2-2 1/16	1-11 3/8

1	C 5 x 6.7	20-0					
		IB1			IB2		Drop
		9-11			9-11		2"

2	C 4 x 5.4	20-0					
		IBR1			IBR1		Drop
		8-9 1/4			8-9 1/4		2-5 1/2

5	Hss 6 x 6 x 1/4	30-0					
2C1	2C3						Drop
2C2	2C4	2C5		26-8 1/2			3-3 1/2

1	4 3 x 3 x 1/4	40-0					
	IBR3	IBR3	IBR3	IBR3			Drop
	9-4 3/8	9-4 3/8	9-4 3/8	9-4 3/8			2-6 1/2

www.TexasSteelDetailers.com
 JOB START DATE 10-2-10
 DETAIL Dg 10-3-10
 CHK.R tsd 12-8-10
 FN: PipeRack.dwg
 #/ / # e l g h k m p q r s t v w x z

- DESCRIPTION OF REVISIONS MADE TO DRAWING -	
1	Update Per Field Dim of Column Height 12-8-10
2	
3	
4	Revision Description Date
REF DWG Persyn # 6292 Sheets S1 & S2	

13/16" Ø	3/16"	E70XX
OPEN HOLE	FILLETS	ELECTRODES
COATING One 5/C Red Oxide Primer		
MATERIAL GRADE SHELL BE	36ksi	U.N.O.
WF SHAPES	TUBES	46ksi
CHANNELS	36ksi	PIPES
REFERENCE	Sheet S1	

J & S Steel
 Structural Steel Fabricators

DETAILS OF Mat'l Buy & Cutting List

PROJECT Pipe Support Rack

LOCATION _____

CUSTOMER _____

ENGINEER _____

APPROVED _____

TO SHOP 12-8-10

JOB # _____

SHEET # **M1**

Rev#1