

Plans Are For Approval ONLY
Not For Fabrication Or Install

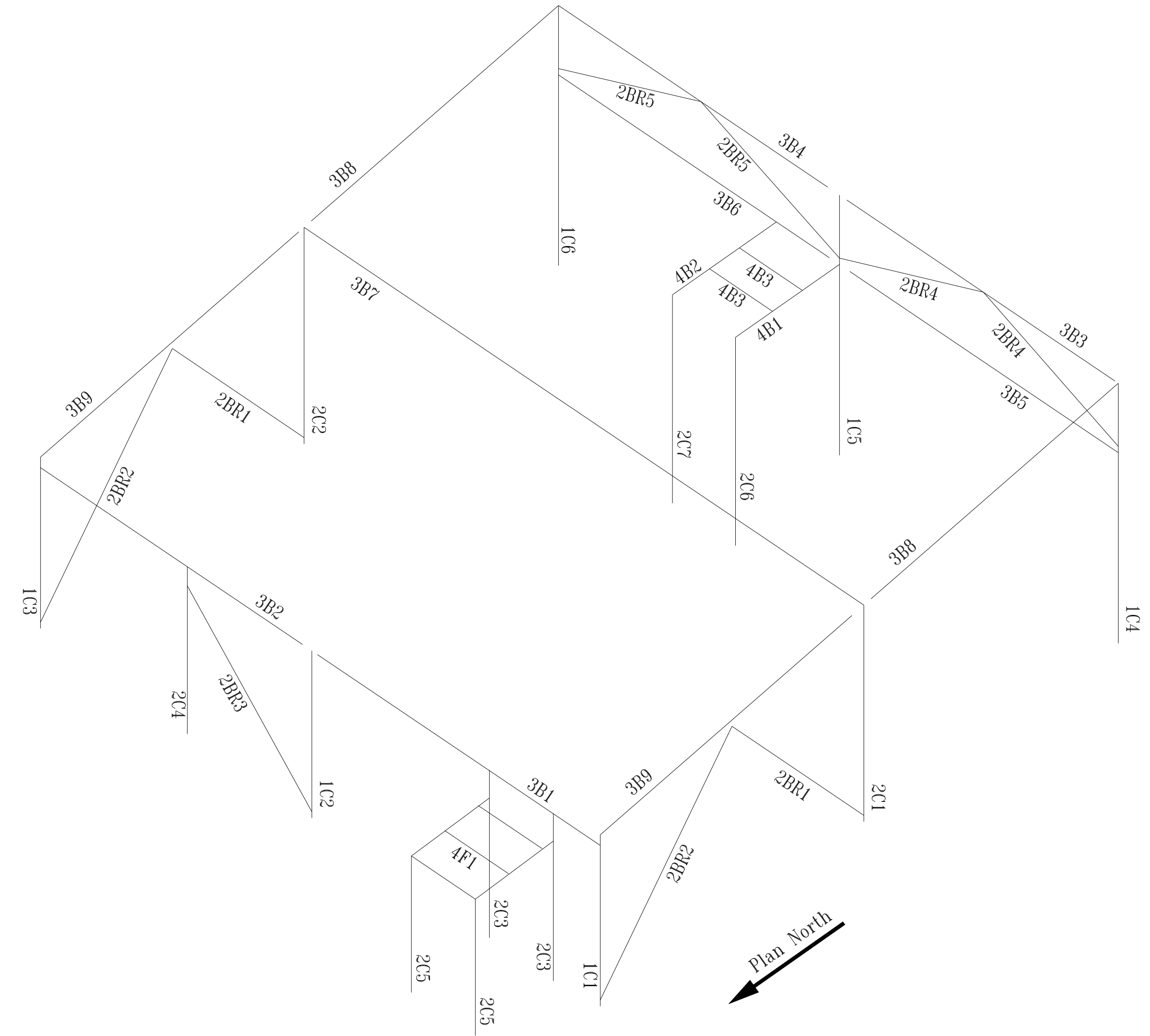
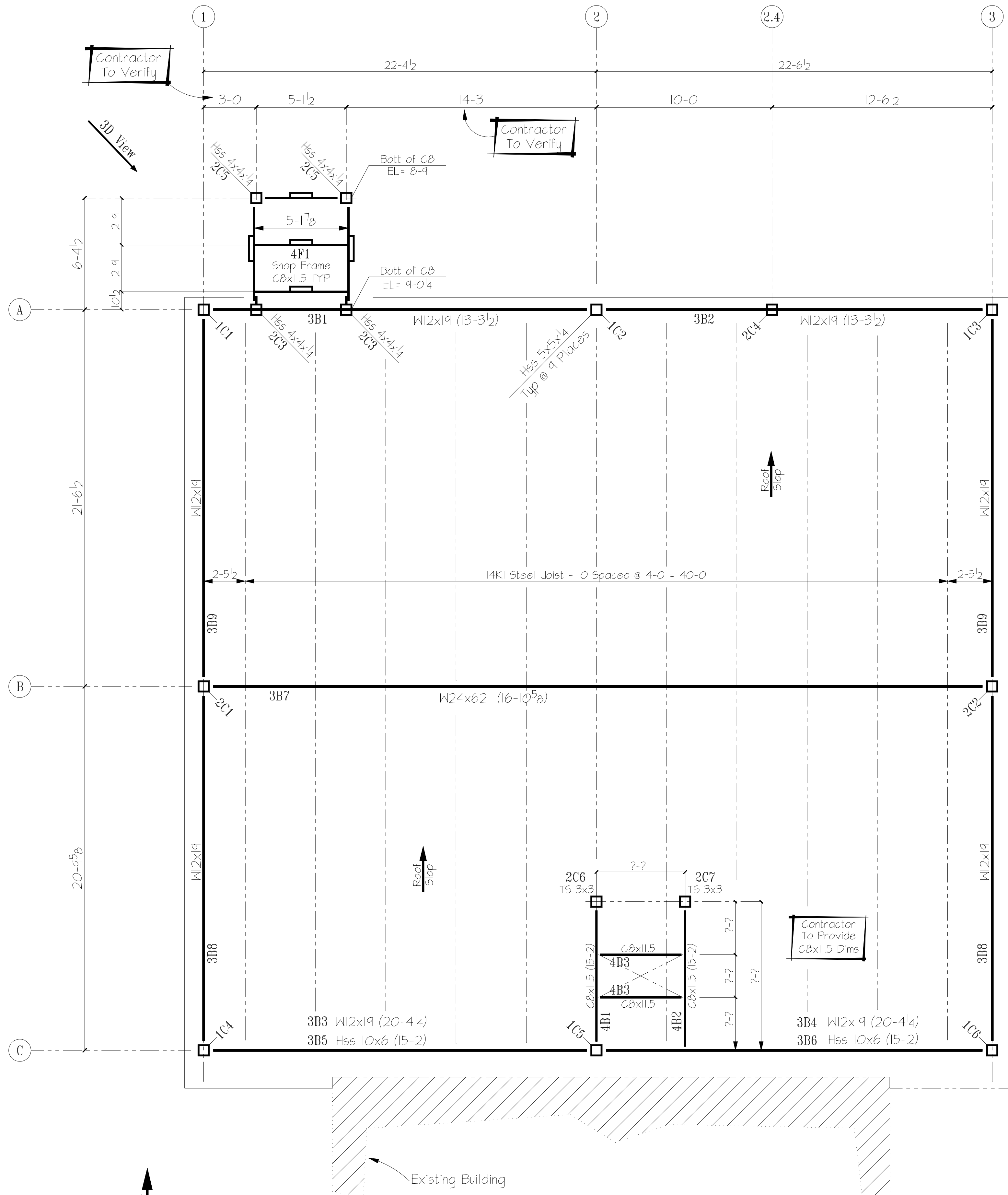
www.TexasSteelDetailers.com
JOB START DATE 7-21-10
DETAIL Dg 7-21-10
CHK.R tsd 7-29-10
FN: LaPryor-HS.dwg LC: 7-30-10
abcdefghijklmnopqrstuvwxyz

- DESCRIPTION OF REVISIONS MADE TO DRAWING -	
1	
2	
3	
4	Revision Description Date

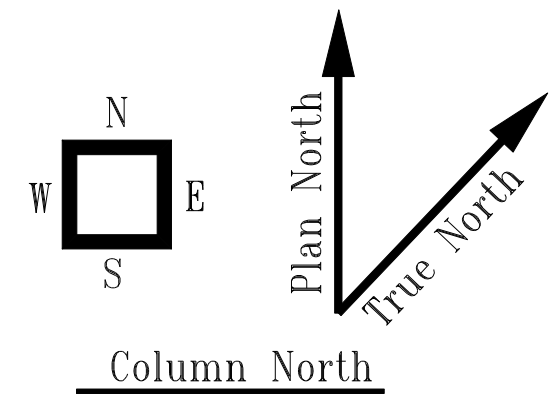
REF DWG S1

13/16"	3/16"	E70xx
OPEN HOLE	FILLETS	ELECTRODES
COATING One 5/C Red Oxide Primer		
MATERIAL GRADE SHELL BE A36 U.N.O.		
WF SHAPES A992 Gr 50 TUBES A500 Gr B		
CHANNELS A36 PIPES A53 Gr B		

DETAILS OF	Embed Plan
PROJECT	New Science Addition
LOCATION	E Gonzalez & N Estes, La Pryor Tx
CUSTOMER	La Pryor ISD
ENGINEER	Frank Lam & Associates
APPROVED	
TO SHOP	
JOB #	10-016
SHEET #	E1



3D Framing View
Viewed From Rear of Building



Framing Plan

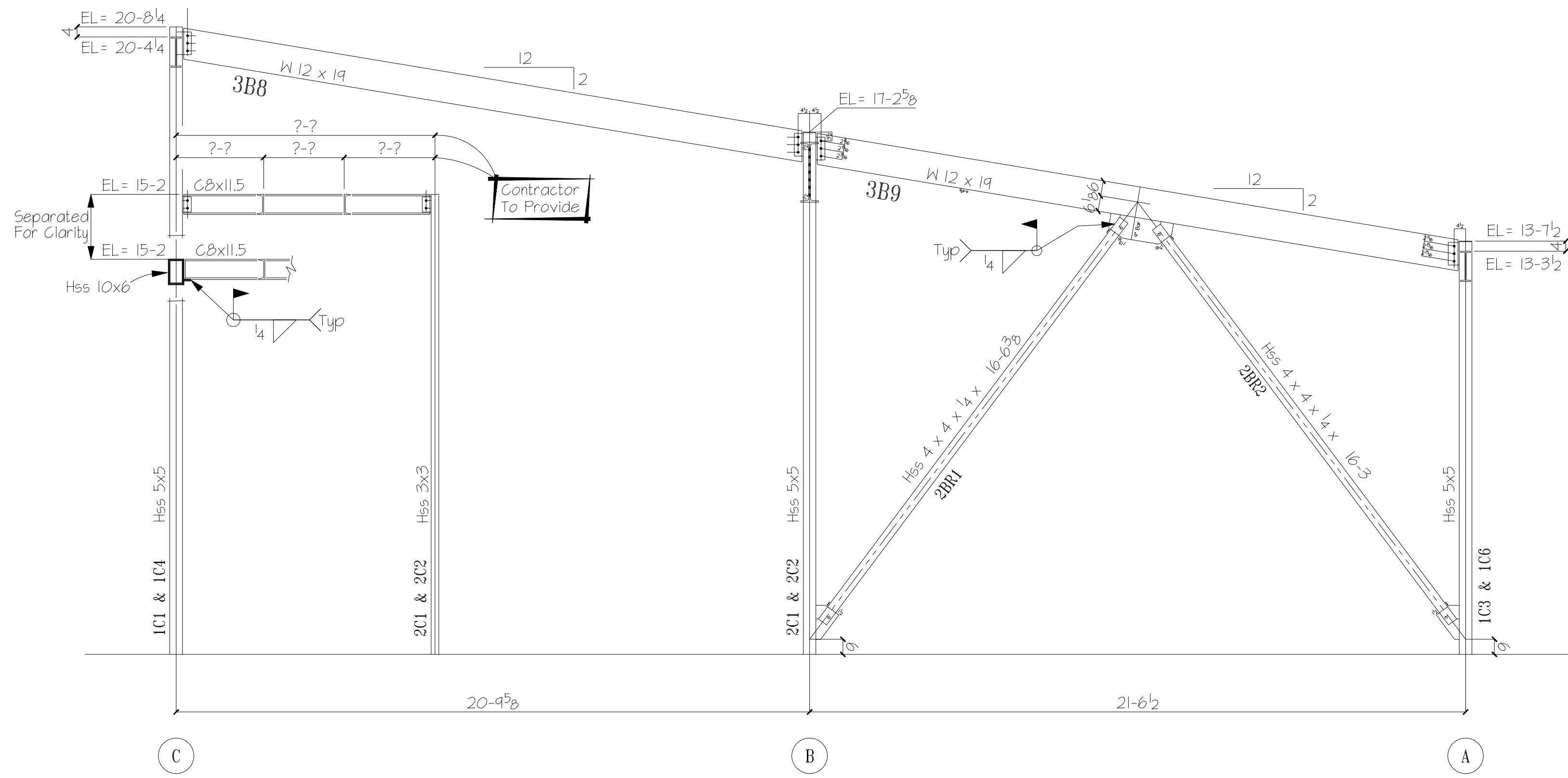
Plans Are For Approval ONLY
Not For Fabrication Or Install

www.texassteel.com
JOB START DATE 7-21-10
DETAIL Dg 7-21-10
CHK.R tsd 7-29-10
FN: LaPryor-HS.dwg LC: 7-30-10
abcdefghijklmnopqrstuvwxyz

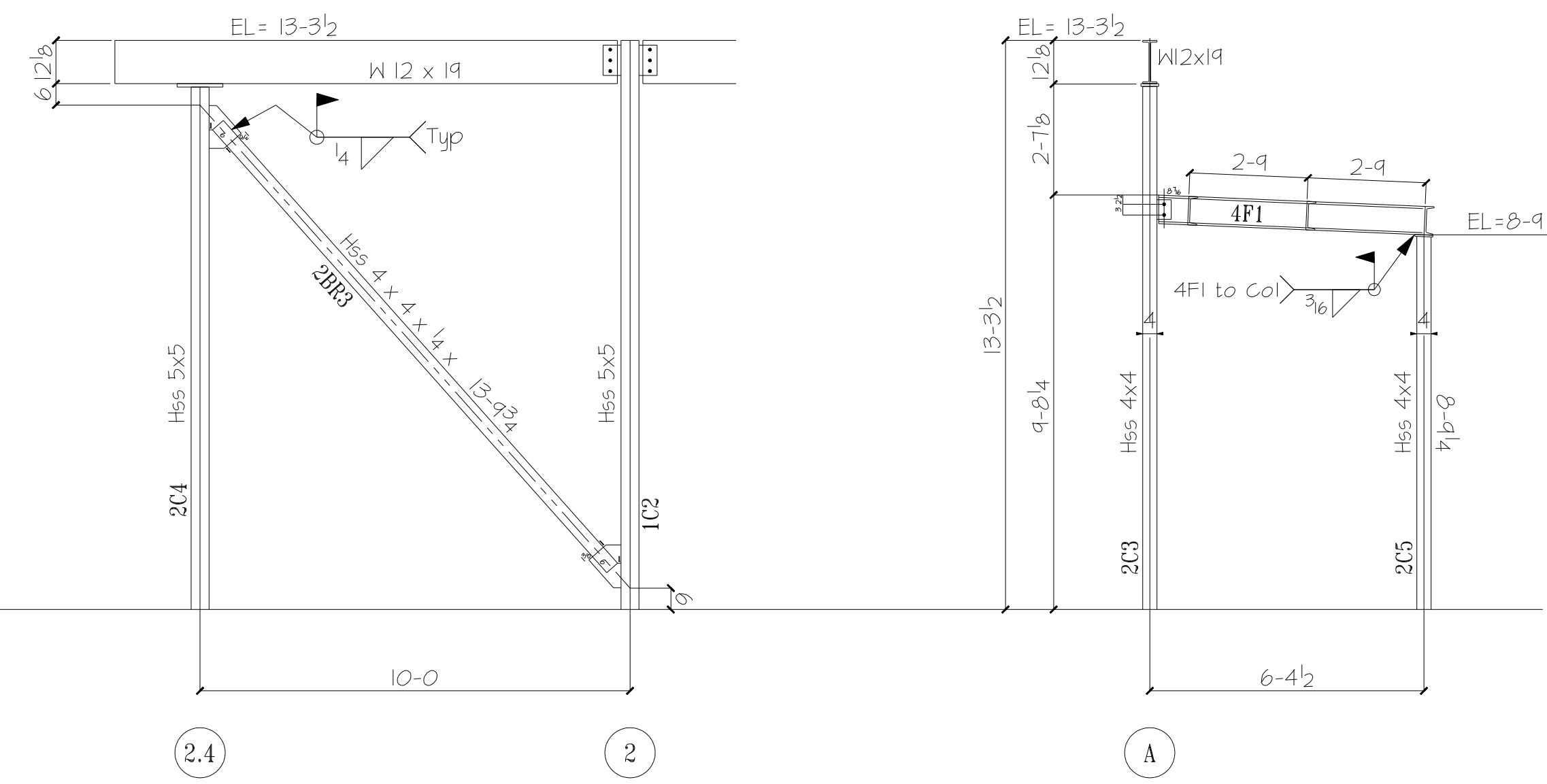
- DESCRIPTION OF REVISIONS MADE TO DRAWING -	
1	
2	
3	
4	Revision Description Date

13/16"Ø	3/16"	E70xx
OPEN HOLE	FILLETs	ELECTRODES
COATING One 5/C Red Oxide Primer		
MATERIAL GRADE SHELL BE A36 U.N.O.		
WF SHAPES A992 Gr 50 TUBES A500 Gr B		
CHANNELS A36 PIPES A53 Gr B		
REFERENCE S3 Note 1-6		

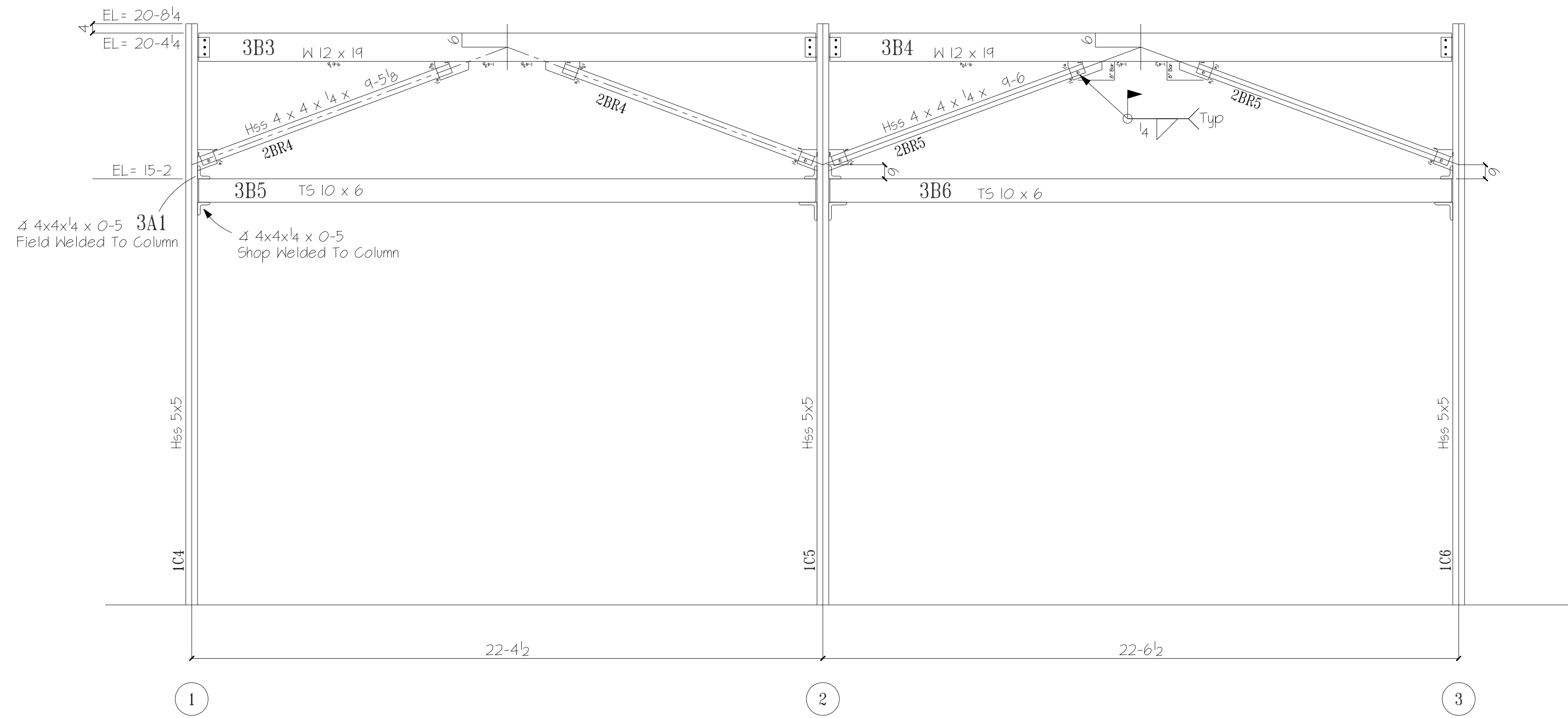
DETAILS OF Framing Plan	
PROJECT New Science Addition	
LOCATION E Gonzalez & N Estes, La Pryor Tx	
CUSTOMER La Pryor ISD	
ENGINEER	
APPROVED	JOB #
TO SHOP	SHEET #
	10-016
	E2



Brace Elevation
Viewd From Outside of Building



Brace Elevation
Viewd From Outside of Building



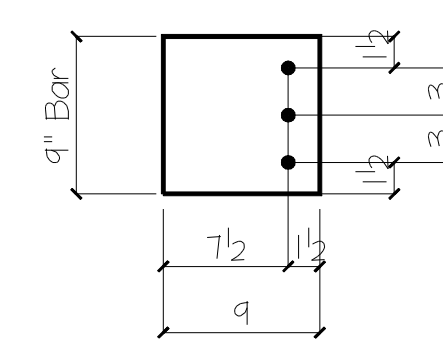
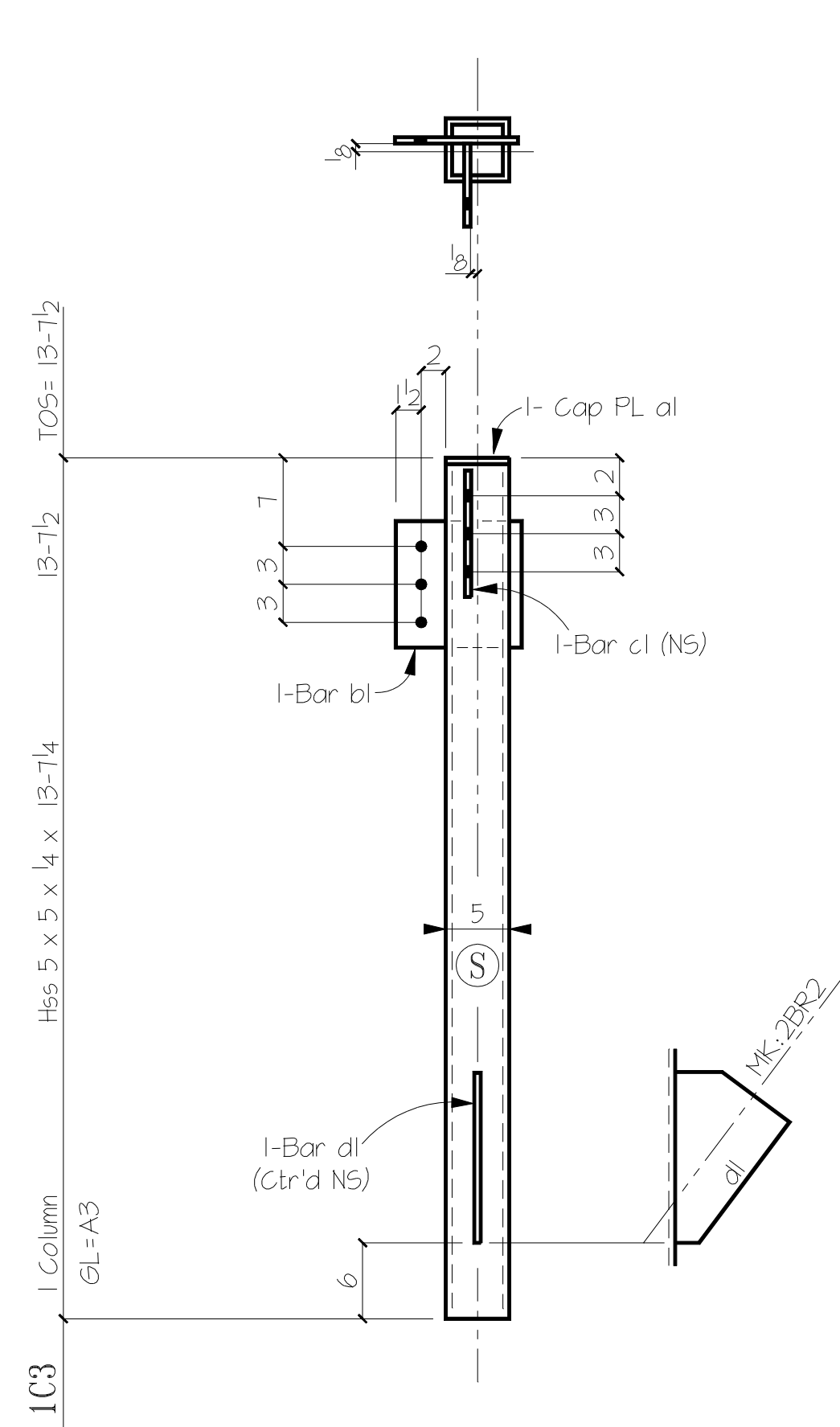
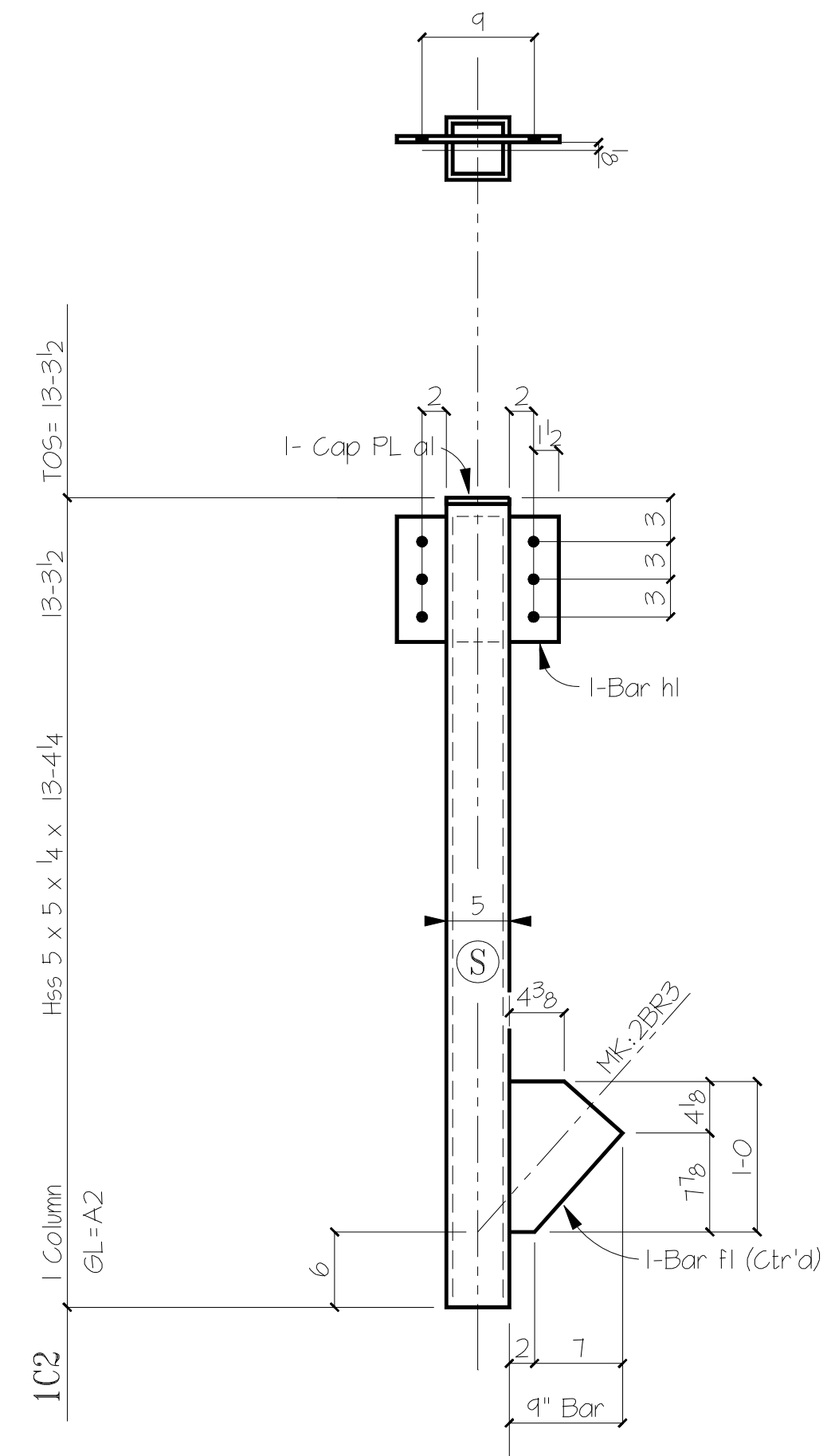
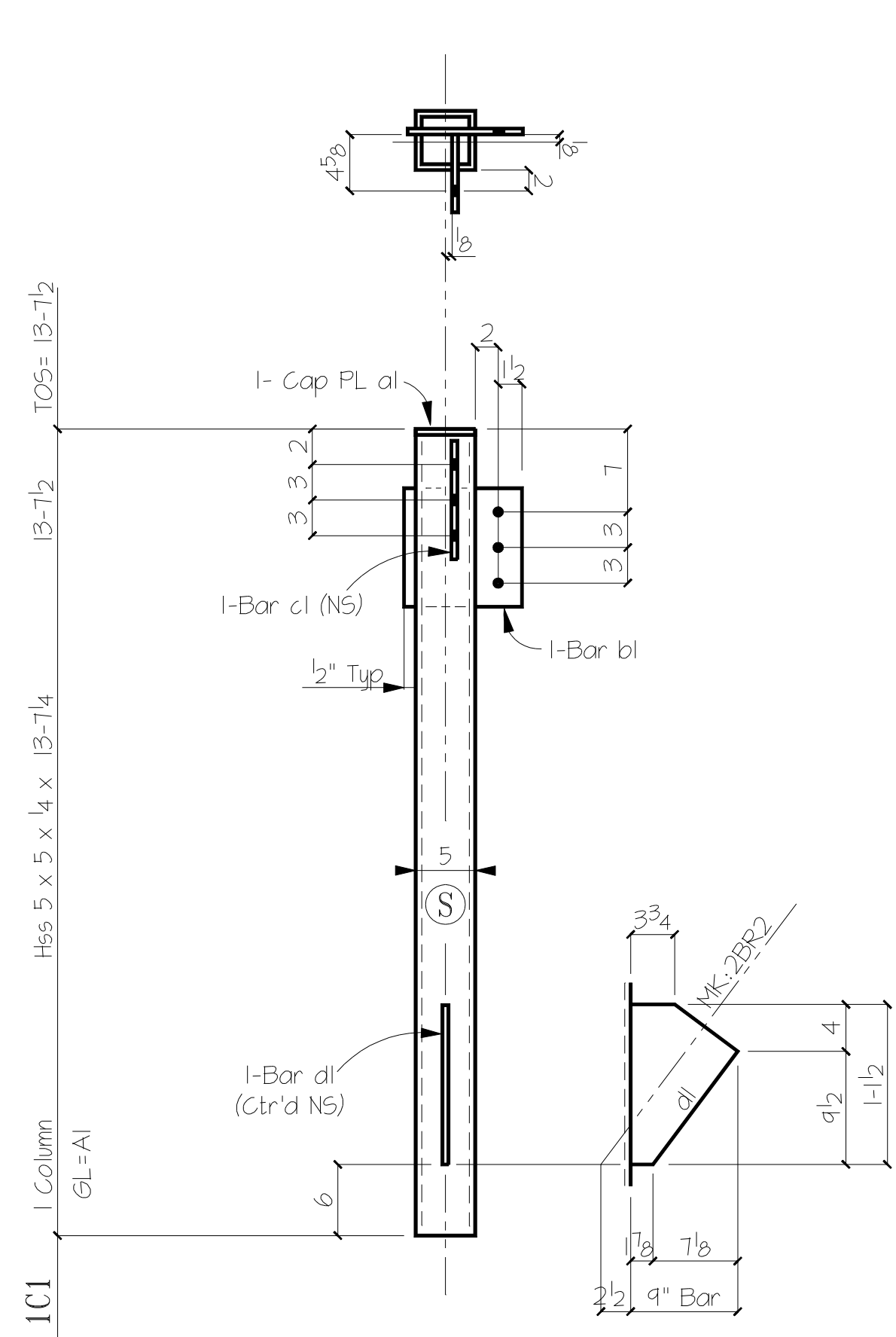
Brace Elevation
Viewd From Outside of Building

Plans Are For Approval ONLY
Not For Fabrication Or Install

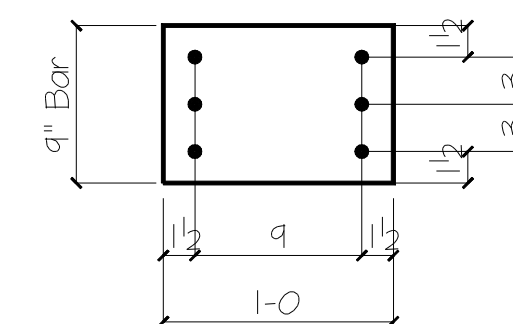
www.TexasSteelDetailers.com
JOB START DATE 7-21-10
DETAIL Dg 7-21-10
CHK.R tsd 7-29-10
FN: LaPryor-HS.dwg LC: 7-30-10
abcdefghijklmnopqrstvwxyz

- DESCRIPTION OF REVISIONS MADE TO DRAWING -		13/16"	3/16"	E70xx
1		OPEN HOLE	FILLETs	ELECTRODES
2		COATING One 5/C Red Oxide Primer		
3		MATERIAL GRADE SHELL BE A36 U.N.O.		
4	Revision Description	WF SHAPEs A992 Gr 50 TUBEs A500 Gr B		
		CHANNELs A36 PIPEs A53 Gr B		
	REF DWG S3	REFERENCE S3 Note 1-6		

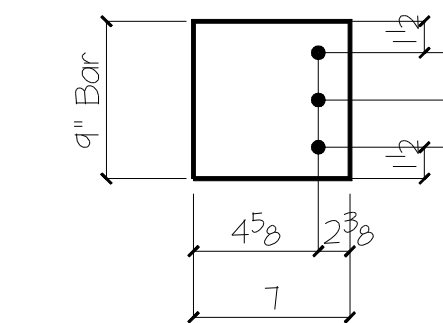
DETAILS OF Framing Plan	PROJECT New Science Addition	LOCATION E Gonzalez & N Estes, La Pryor Tx	CUSTOMER La Pryor ISD	ENGINEER Frank Lam & Associates
APPROVED	TO SHOP	JOB # 10-016	SHEET # E3	



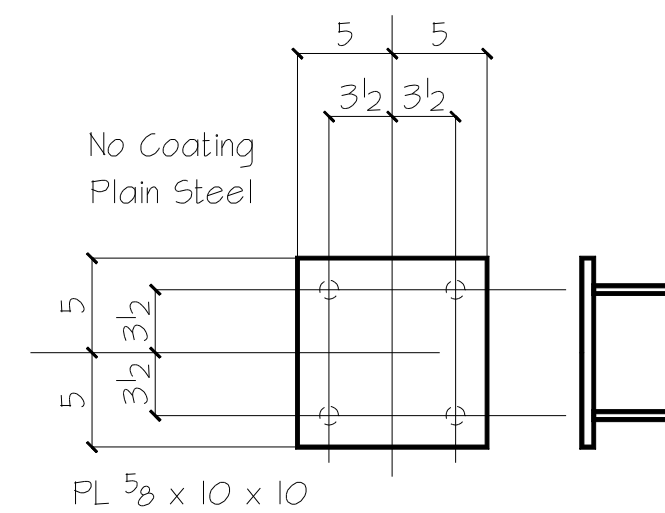
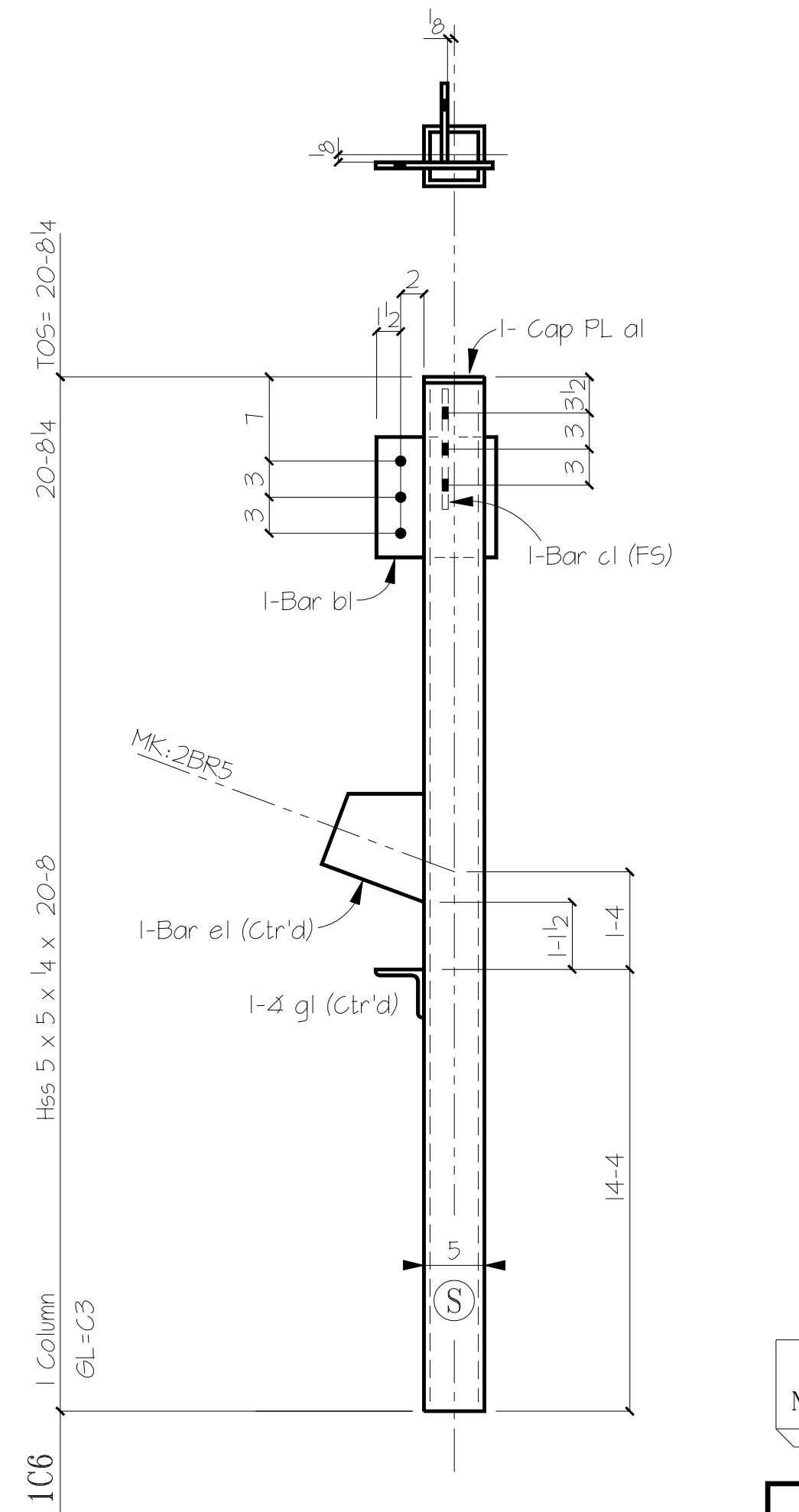
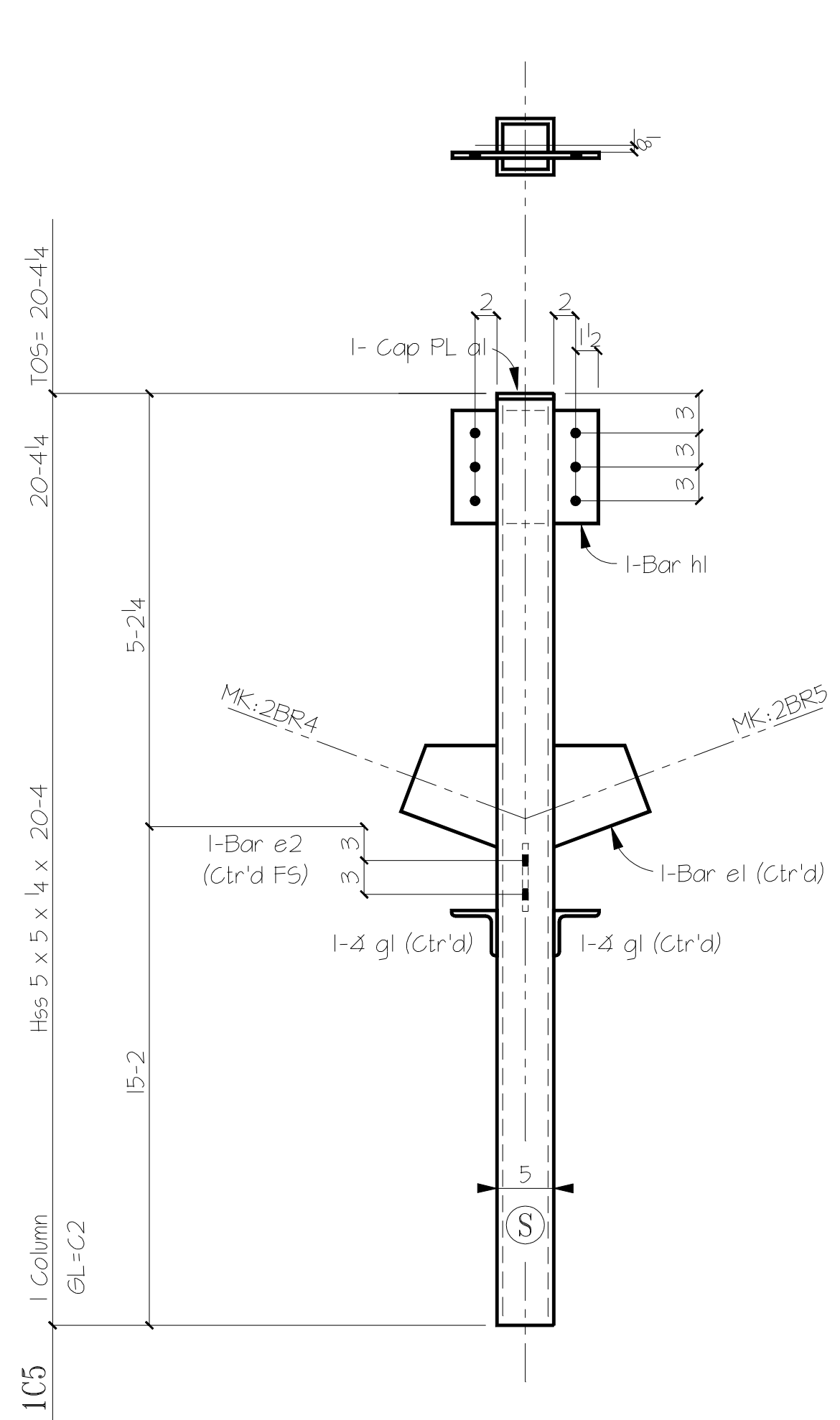
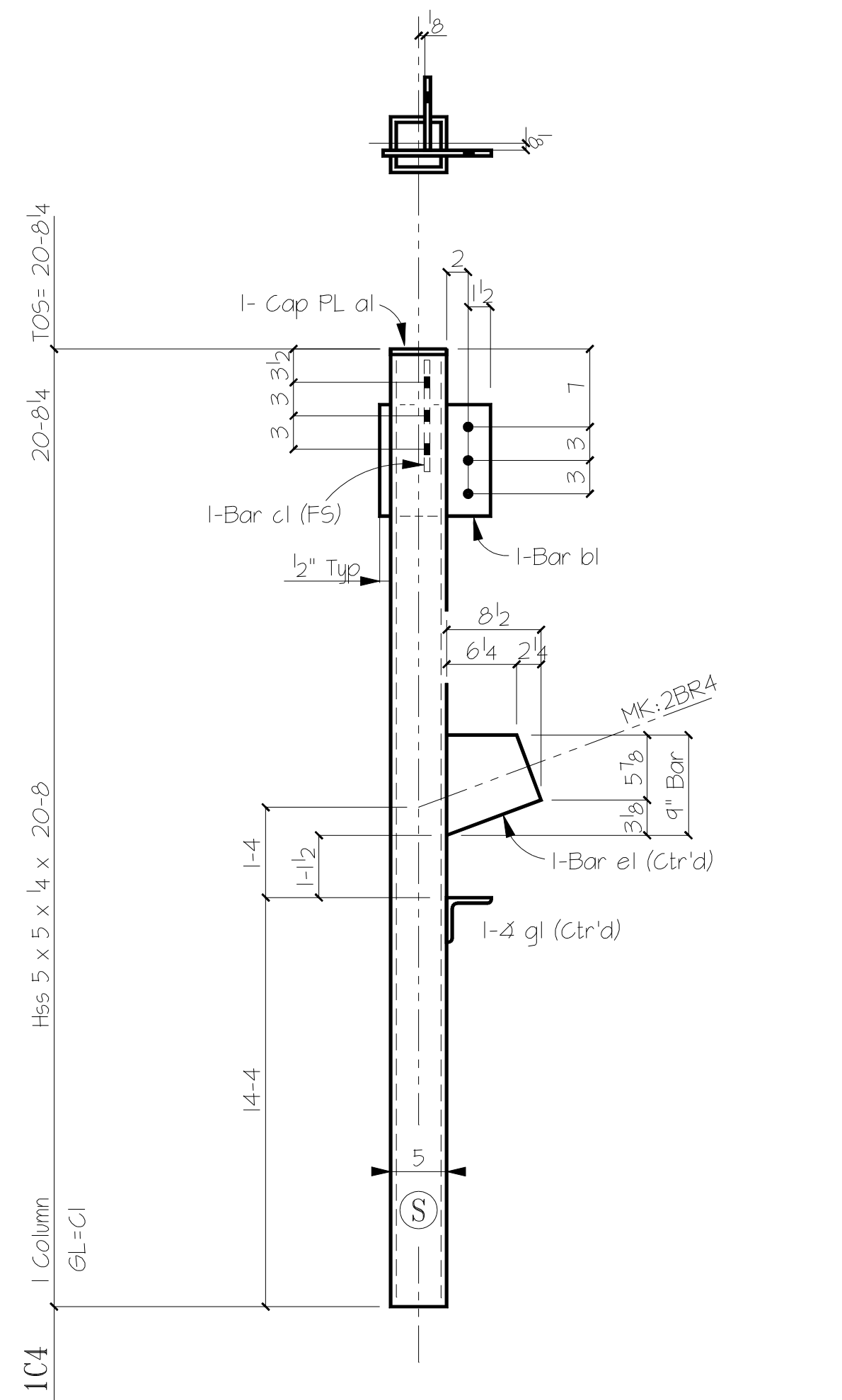
Detail of bl
Bar 3/8 x 9 x 0-9



Detail of hl
Bar 3/8 x 9 x 1-0



Detail of cl
Bar 3/8 x 9 x 7



11 Embed PL MK: 1EP1

IC1	1	Hss 5 x 5 x 1/4	13-7 1/4
al	1	Bar 1/4 x 5	0-5
bl	1	Bar 3/8 x 9	0-9
cl	1	Bar 3/8 x 9	0-7
dl	1	Bar 1/2 x 9	1-1/2
IC2	1	Hss 5 x 5 x 1/4	13-4 1/4
al	1	Bar 1/4 x 5	0-5
hl	1	Bar 3/8 x 9	1-0
fl	1	Bar 1/2 x 9	1-0
IC3	1	Hss 5 x 5 x 1/4	13-7 1/4
al	1	Bar 1/4 x 5	0-5
bl	1	Bar 3/8 x 9	0-9
cl	1	Bar 3/8 x 9	0-7
dl	1	Bar 1/2 x 9	1-1/2
IC4	1	Hss 5 x 5 x 1/4	20-8
al	1	Bar 1/4 x 5	0-5
bl	1	Bar 3/8 x 9	0-9
cl	1	Bar 3/8 x 9	0-7
el	1	Bar 1/2 x 9	0-8 1/2
gl	1	4 4 x 4 x 1/4	0-5
IC5	1	Hss 5 x 5 x 1/4	20-4
al	1	Bar 1/4 x 5	0-5
hl	1	Bar 3/8 x 9	1-0
el	1	Bar 1/2 x 9	0-8 1/2
e2	2	Bar 3/8 x 4	0-6
gl	1	4 4 x 4 x 1/4	0-5
IC6	1	Hss 5 x 5 x 1/4	20-8
al	1	Bar 1/4 x 5	0-5
bl	1	Bar 3/8 x 9	0-9
cl	1	Bar 3/8 x 9	0-7
el	1	Bar 1/2 x 9	0-8 1/2
gl	1	4 4 x 4 x 1/4	0-5
1EP1	11	Bar 5/8 x 10	0-10
hcal	44	HCA 5/8"Ø	0-6

Plans Are For Approval ONLY
Not For Fabrication Or Install

- DESCRIPTION OF REVISIONS MADE TO DRAWING -

1		
2		
3		
4	Revision Description	Date

13/16"Ø OPEN HOLE 1/4" FILLETS E70xx ELECTRODES

COATING One 5/8 Red Oxide Primer

MATERIAL GRADE SHELL BE A36 U.N.O.
WF SHAPES A492 Gr 50 TUBES A500 Gr B
CHANNELS A36 PIPES A53 Gr B

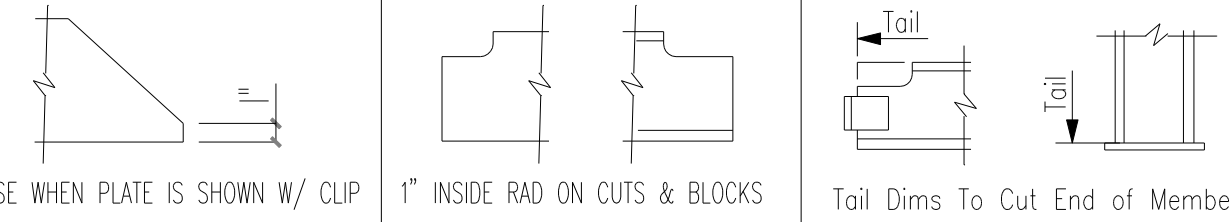
REFERENCE S3 Note 1-b

DETAILS OF Columns
PROJECT New Science Addition
LOCATION E Gonzalez & N Estes, La Pryor Tx
CUSTOMER La Pryor ISD
ENGINEER

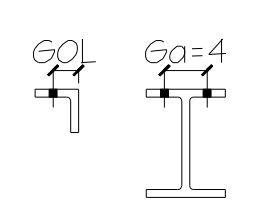
APPROVED TO SHOP
JOB # 10-016
SHEET # D1

www.texassteel.com
JOB START DATE 7-21-10
DETAIL Dg 7-21-10
CHK.R tsd 7-29-10
F:\LaPryor-HS.dwg LC=7-30-10
###gkmpgrslvxy

REF DWG S1 S2 S3, E2



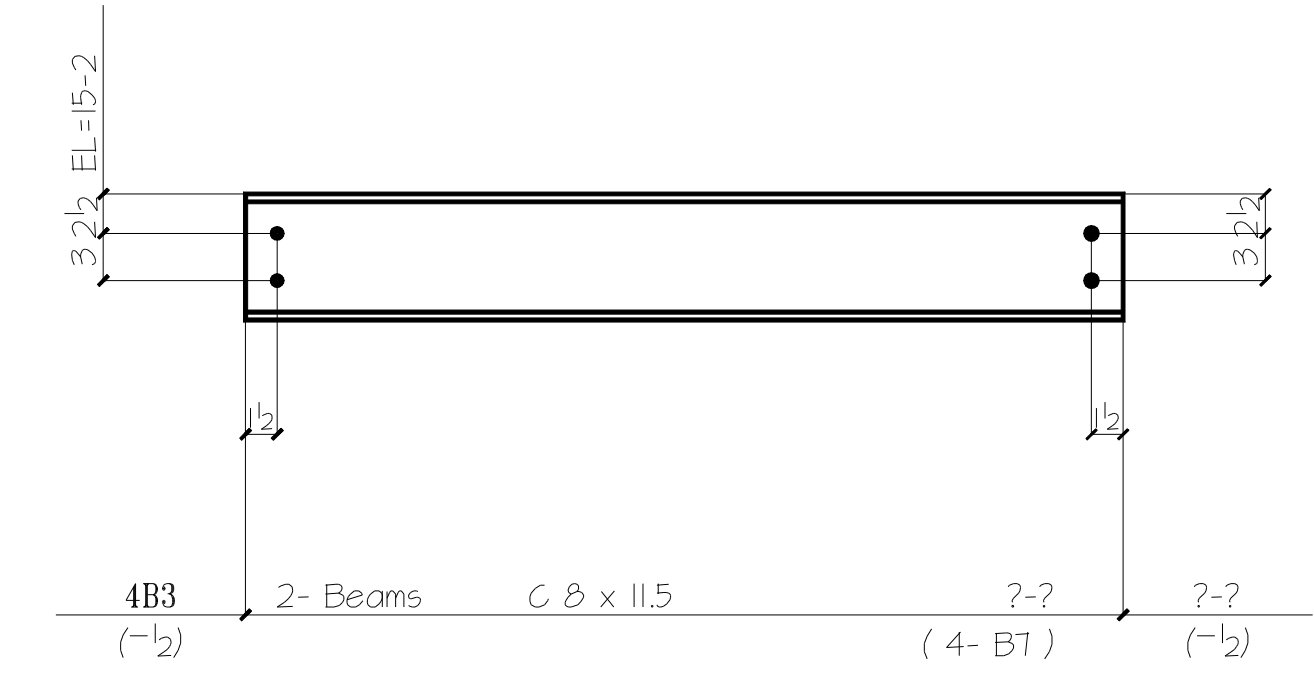
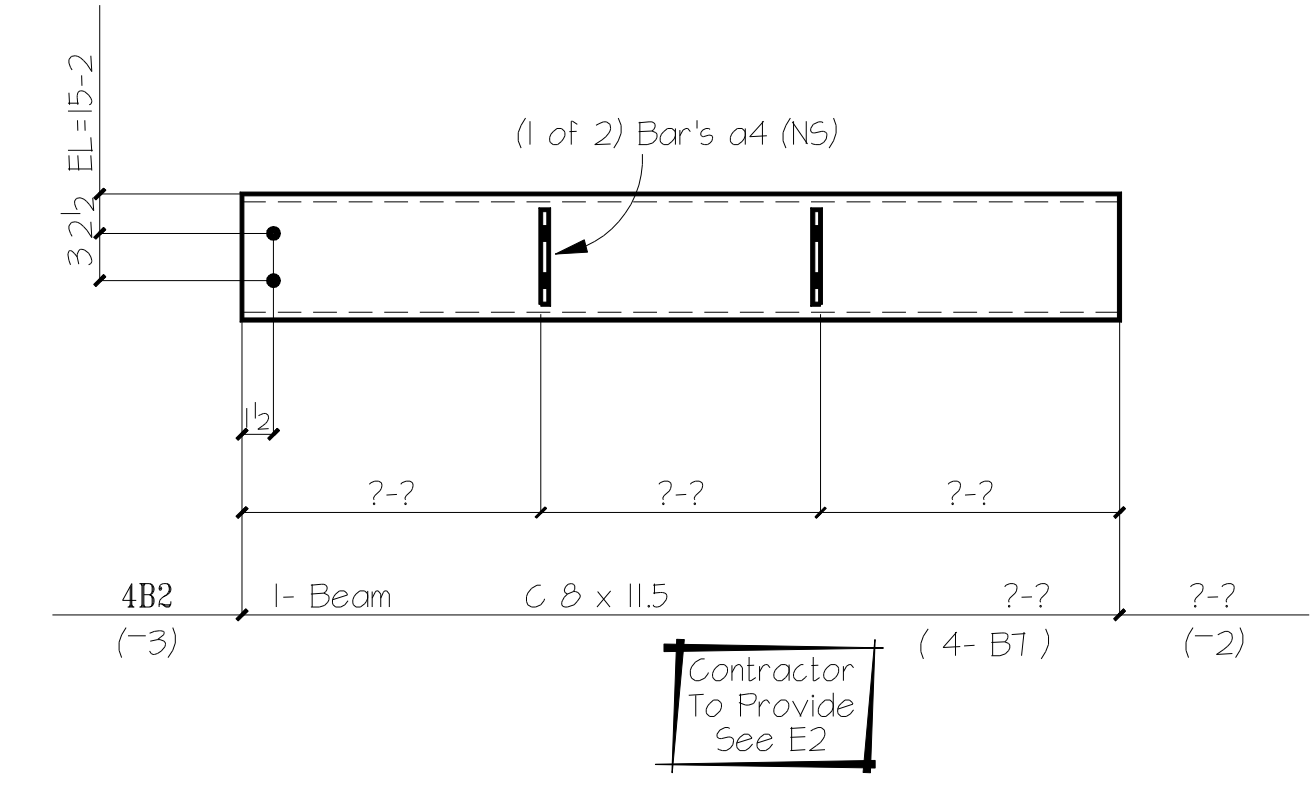
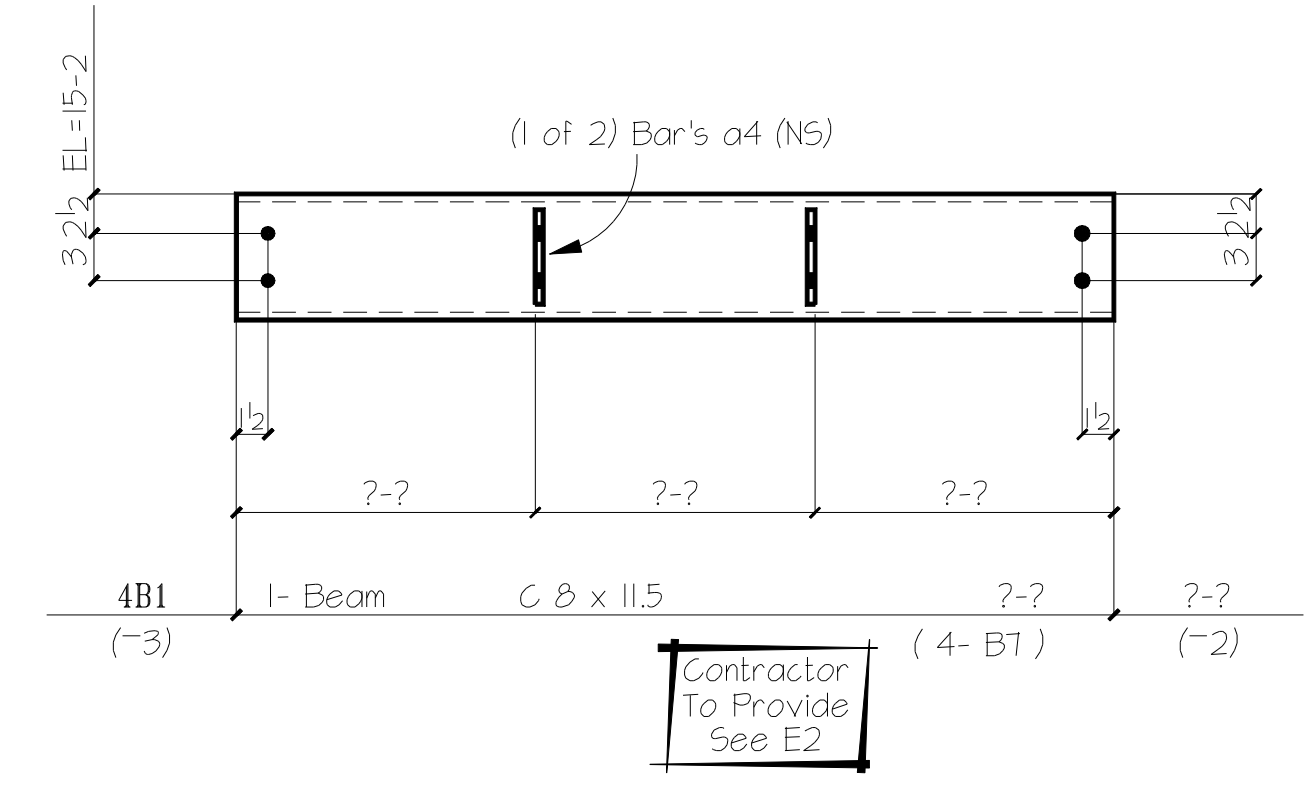
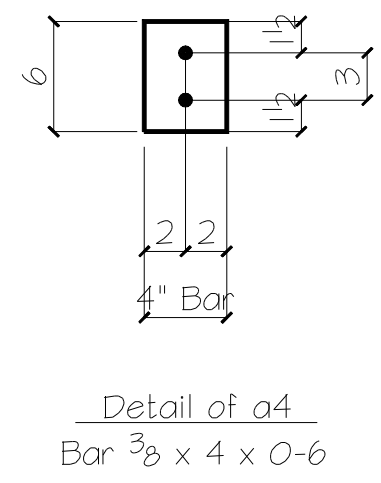
NS = Place Item Near Side
FS = Place Item For Side
BS = Place Item Both Sides
Ctr'd = Place on Center Line
VIF = Verify In Field
C/C = Center 2 Center
UNO = Unless Noted otherwise



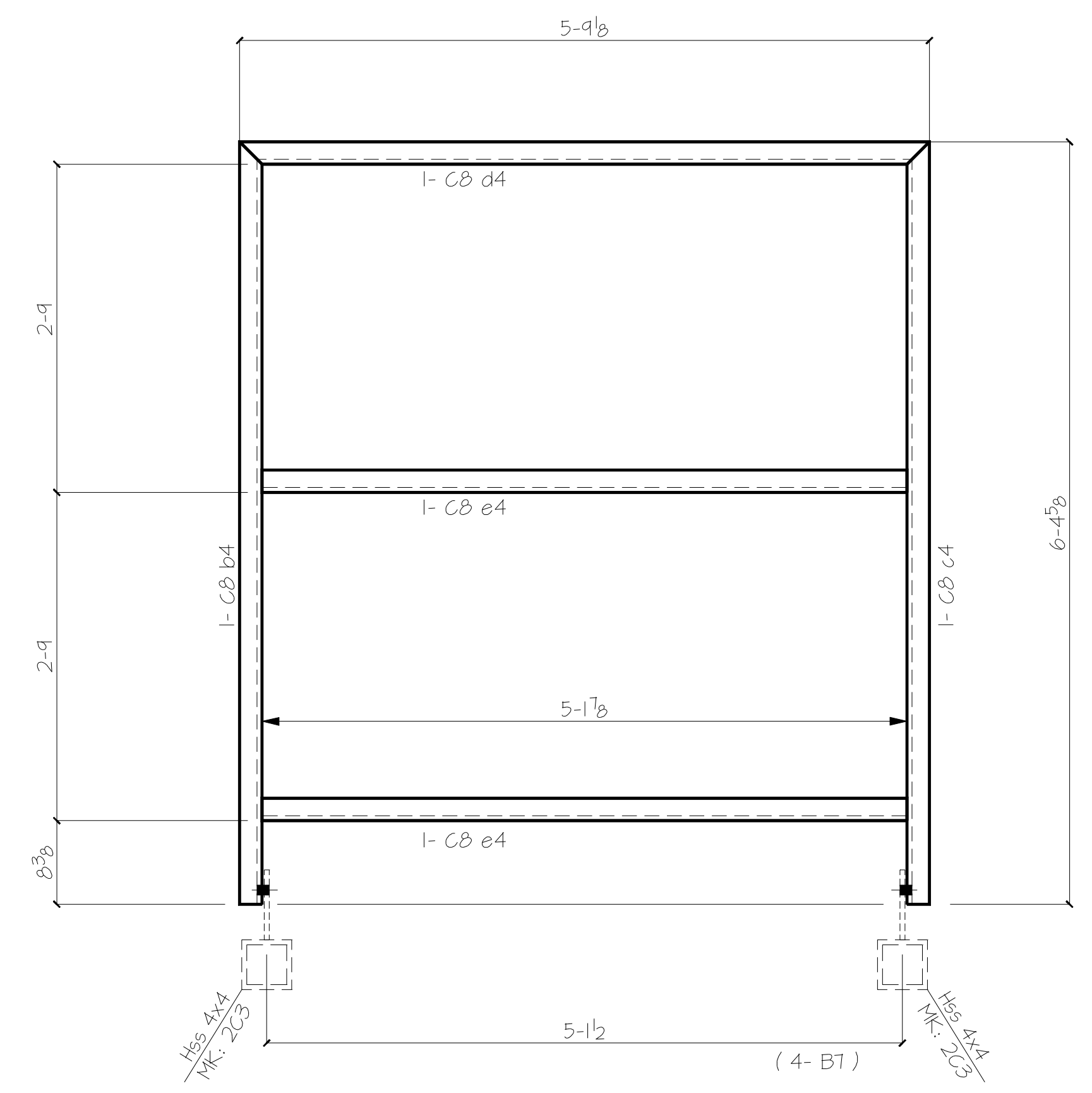
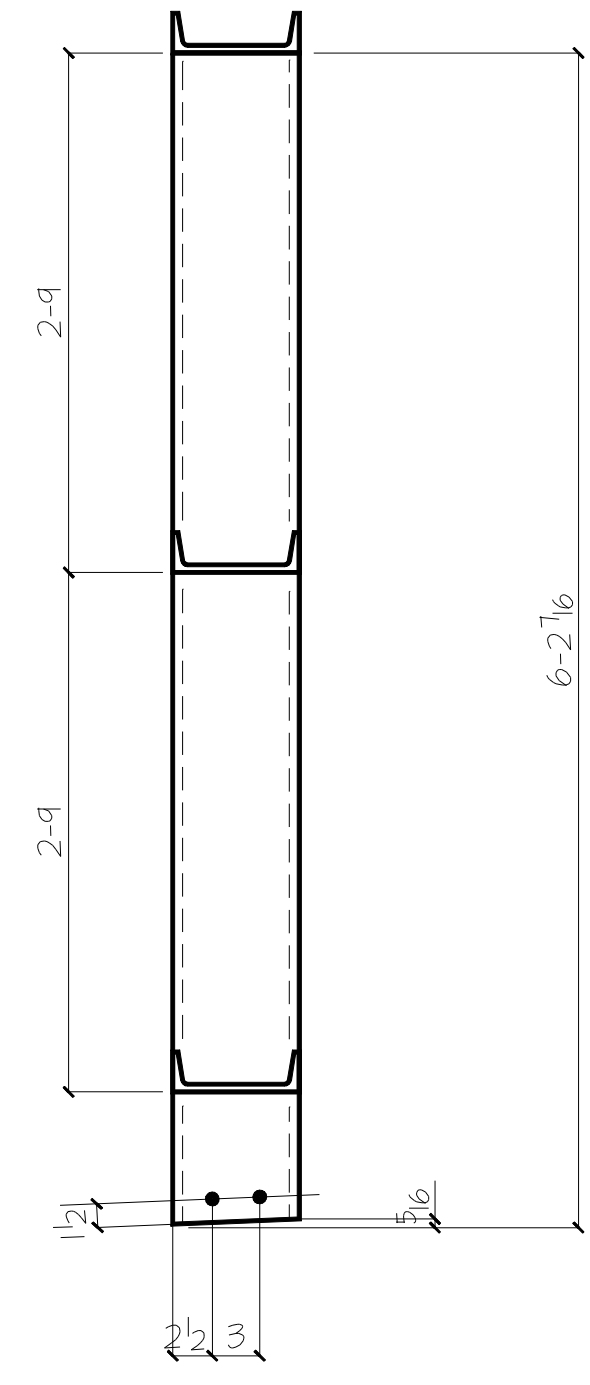
USE WHEN PLATE IS SHOWN W/ CLIP

1" INSIDE RAD ON CUTS & BLOCKS

Tail Dims To Cut End of Member



4B1	1	C B x 11.5	?-?
a4	2	Bar 3/8 x 4	0-6
4B2	1	C B x 11.5	?-?
a4	2	Bar 3/8 x 4	0-6
4B3	1	C B x 11.5	?-?
4F1	1	C Frame	
b4	1	C B x 11.5	6-4 3/8
c4	1	C B x 11.5	6-4 3/8
d4	1	C B x 11.5	5-9 1/8
e4	2	C B x 11.5	5-1 1/8



1 C-Frame MK: 4F1

Plans Are For Approval ONLY
Not For Fabrication Or Install

Field Bolt List

- 16 - 3/4" A325 x 0-1 3/4 (BT)
- 0 - 3/4" A325 x 0-2 (BB)
- 0 - 3/4" A325 x 0-2 1/4 (B9)
- 16 - 3/4" Nuts & Washers

www.TexasSteelDetailers.com
JOB START DATE 7-21-10
DETAIL Dg 7-21-10
CHK.R Not Checked
FN: LaPryor-HS.dwg LC: 7-30-10
abcdefghijklmnopqrstuvwxyz

- DESCRIPTION OF REVISIONS MADE TO DRAWING -	
1	
2	
3	
4	Revision Description Date
REF DWG S1 S2 S3 , E2	

13/16"	1/4"	E70xx
OPEN HOLE	FILLETS	ELECTRODES
COATING One S/C Red Oxide Primer		
MATERIAL GRADE SHELL BE A36 U.N.O.		
WF SHAPES A992 Gr 50 TUBES A500 Gr B		
CHANNELS A36 PIPES A53 Gr B		
REFERENCE S3 Note 1-6		

DETAILS OF Beams & Frames
PROJECT New Science Addition
LOCATION E Gonzalez & N Estes , La Pryor Tx
CUSTOMER La Pryor ISD
ENGINEER
APPROVED
TO SHOP
JOB # 10-016
SHEET # D4