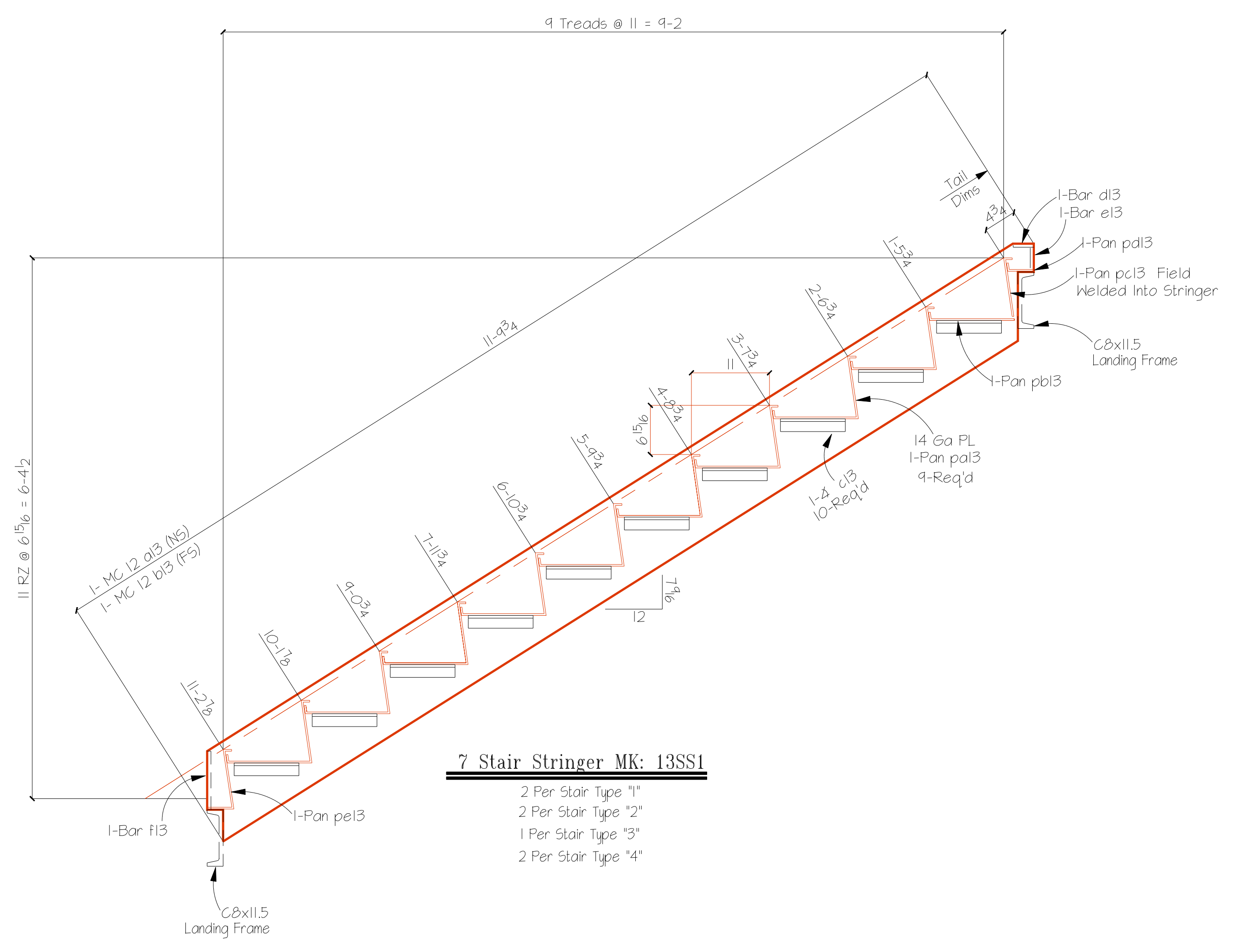




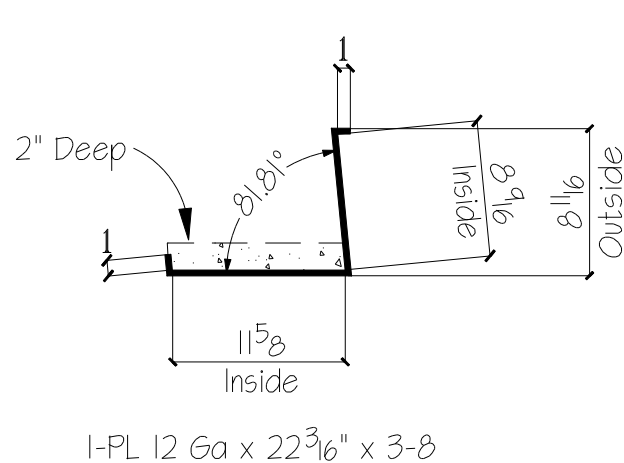
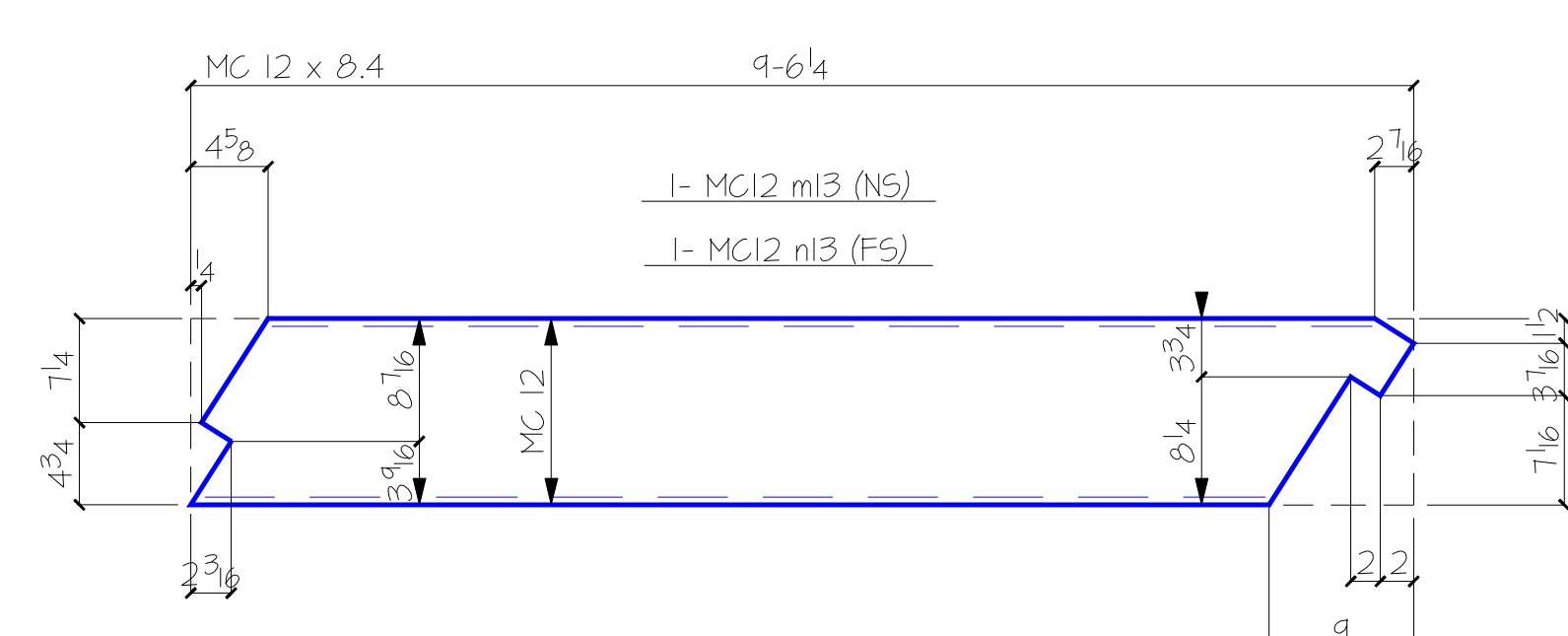
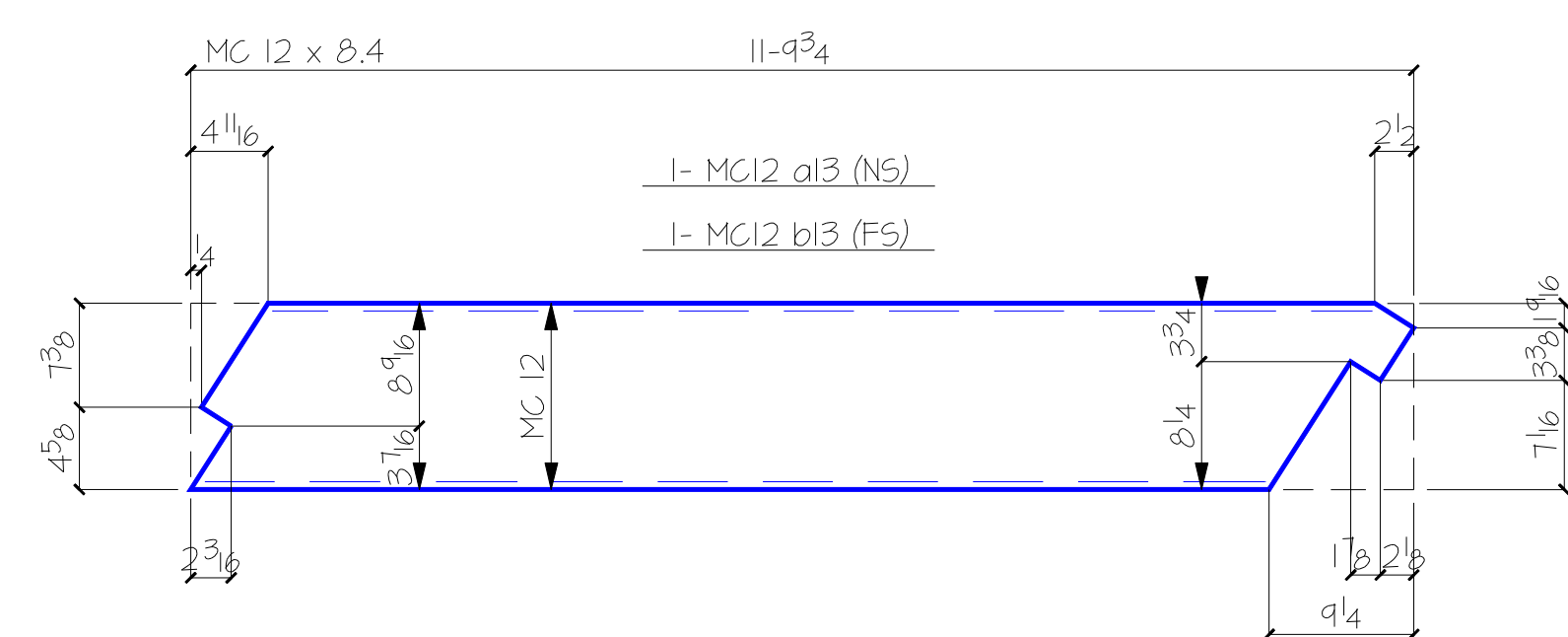
- BILL OF MATERIAL -

MARK	QTY	DESCRIPTION	LENGTH	REMARKS
Per Ea				
13SS1	4	Stair Stringer		
1	4	MC 12 x 10.6	11-9 <sup>3</sup> / <sub>4</sub>	
1	4	MC 12 x 10.6	11-9 <sup>3</sup> / <sub>4</sub>	
10	40	4 1 x 1 x 1/8	0-10	
2	8	Bar 1/4 x 1/4	0-3	
2	8	Bar 1/4 x 1/4	0-4	
2	8	Bar 1/4 x 1/4	0-8 <sup>3</sup> / <sub>4</sub>	
Per Ea				
13SS2	12	Stair Stringer		
1	12	MC 12 x 10.6	9-6 <sup>1</sup> / <sub>4</sub>	
1	12	MC 12 x 10.6	9-6 <sup>1</sup> / <sub>4</sub>	
10	120	4 1 x 1 x 1/8	0-10	
2	24	Bar 1/4 x 1/4	0-3	
2	24	Bar 1/4 x 1/4	0-3 <sup>3</sup> / <sub>4</sub>	
2	24	Bar 1/4 x 1/4	0-8 <sup>1</sup> / <sub>2</sub>	

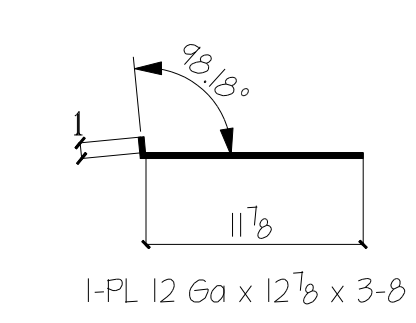


**7 Stair Stringer MK: 13SS1**

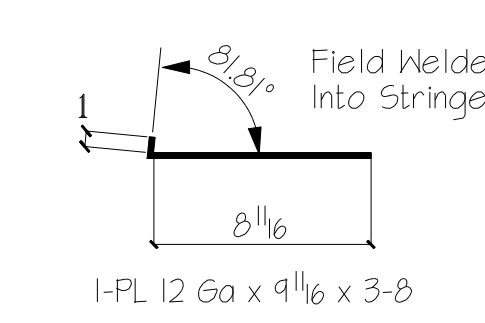
- 2 Per Stair Type "1"
- 2 Per Stair Type "2"
- 1 Per Stair Type "3"
- 2 Per Stair Type "4"



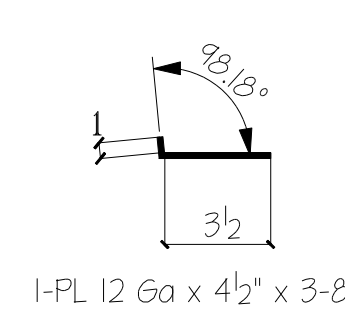
**93 Bent PLs pa13**  
9 Per Stairs 13SS1  
( 84 ) 1 Per Stairs 13SS2



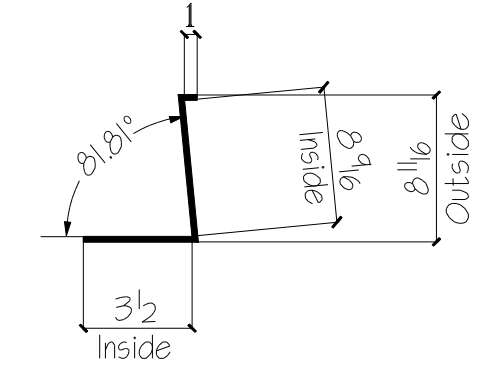
**13 Bent PLs pb13**  
1 Per Stairs 13SS1  
( 12 ) 1 Per Stairs 13SS2



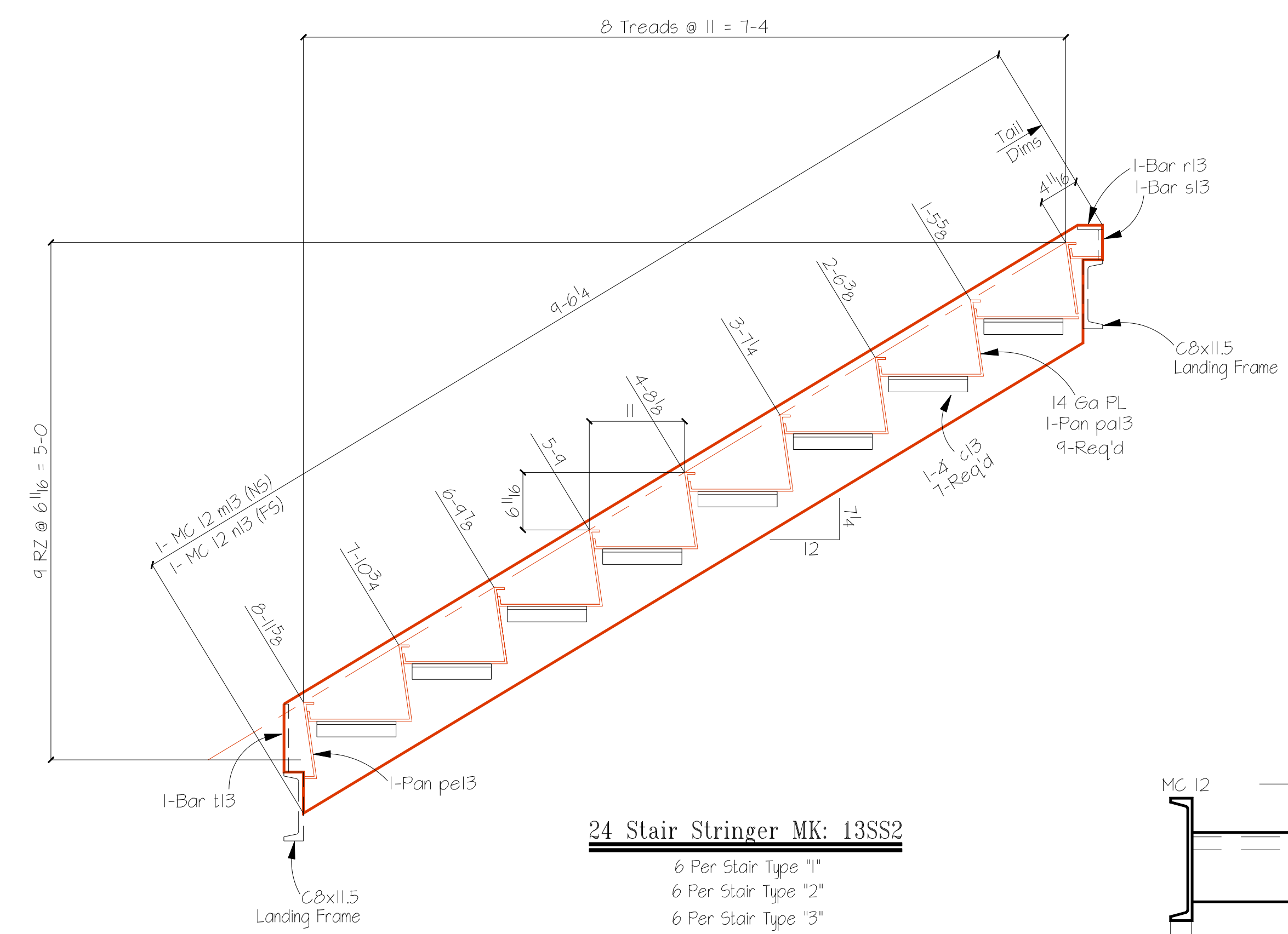
**13 Bent PLs pc13**  
1 Per Stairs 13SS1  
( 12 ) 1 Per Stairs 13SS2



**13 Bent PLs pd13**  
1 Per Stairs 13SS1  
( 12 ) 1 Per Stairs 13SS2

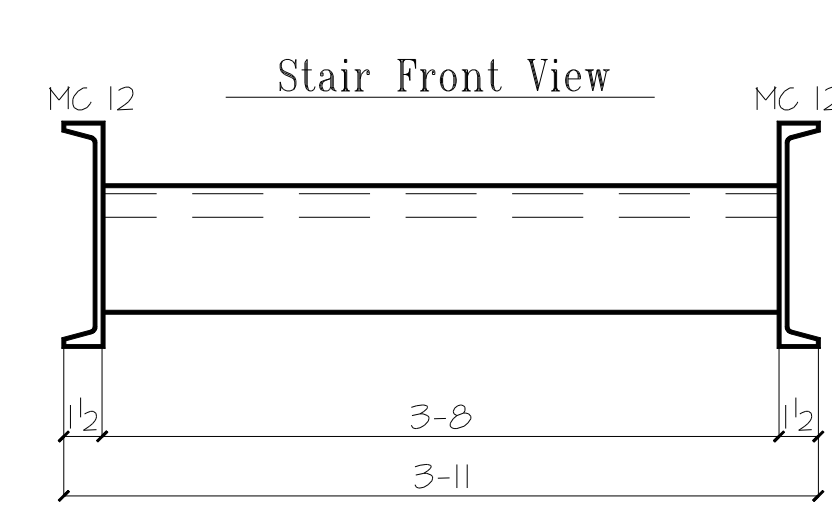


**13 Bent PLs pe13**  
1 Per Stairs 13SS1  
( 12 ) 1 Per Stairs 13SS2



**24 Stair Stringer MK: 13SS2**

- 6 Per Stair Type "1"
- 6 Per Stair Type "2"
- 6 Per Stair Type "3"
- 6 Per Stair Type "4"



Drawing Are Based On Plans Dated 9-17-08

Plans For Approval & Not Construction

Usable Template Mark Letters  
A-Z a-z 0-9 . / - ' " & # \$ % & # \$ % & # \$ % & # \$ %  
Texas Steel Detailers  
FN: 55th-SOLIDtek

- DESCRIPTION OF REVISIONS MADE TO DRAWING -

NO.	REVISION DESCRIPTION	DATE	MADE BY	CHK BY	SHOPED
1					
2					
3					
4					

REF DWG: ALL

MATERIAL GRADE SHALL BE A36 U.N.O.

WF SHAPES A512 TUBES A500  
CHANNELS A512 PIPES A53

COATING One 5/C Red Oxide Primer

13/16" OPEN HOLE    1/4" FILLETS    E700XX ELECTRODES

APPROVAL \_\_\_\_\_ TO SHOP \_\_\_\_\_ ?

DETAILS OF Stair Type # 1 Parts

CUSTOMER \_\_\_\_\_  
ENGINEERING \_\_\_\_\_  
ARCHITECT \_\_\_\_\_  
PROJECT Stay Bridge Suites  
LOCATION N Loop 1604 SA TX

DETAIL DY 4-12-09    JOB # 0902    SHEET # D13  
CHK.R tsd 4-12-09