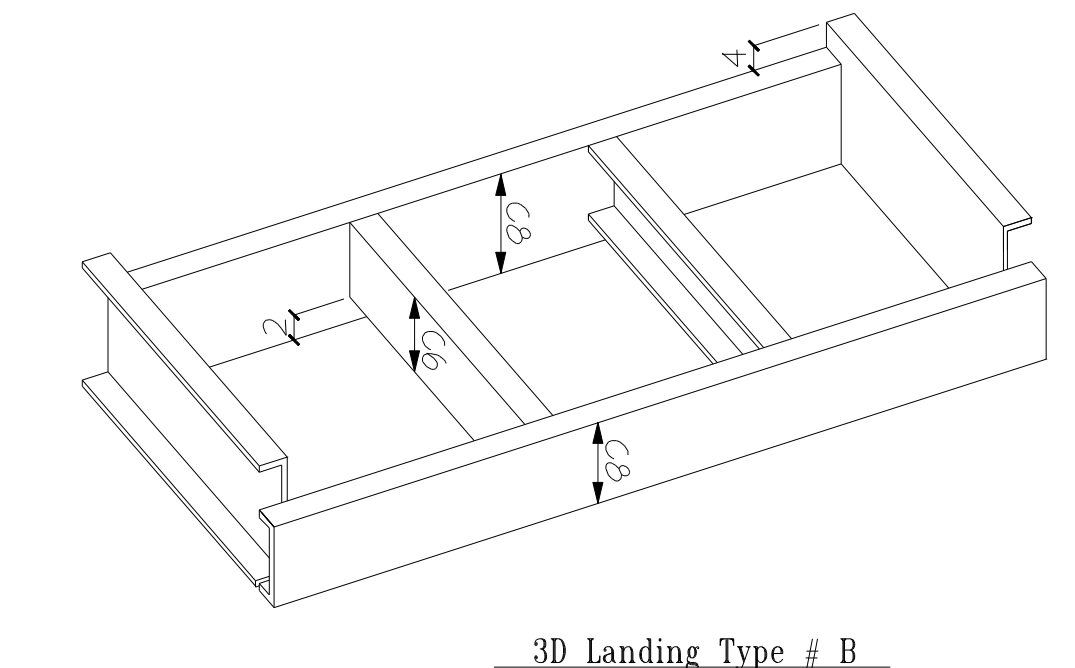
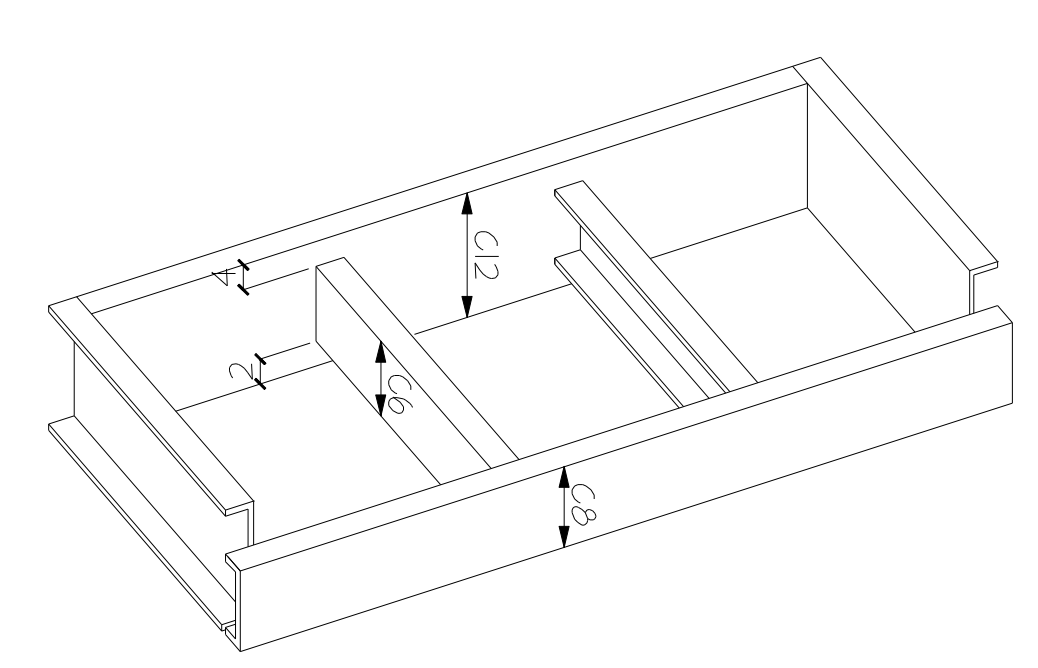
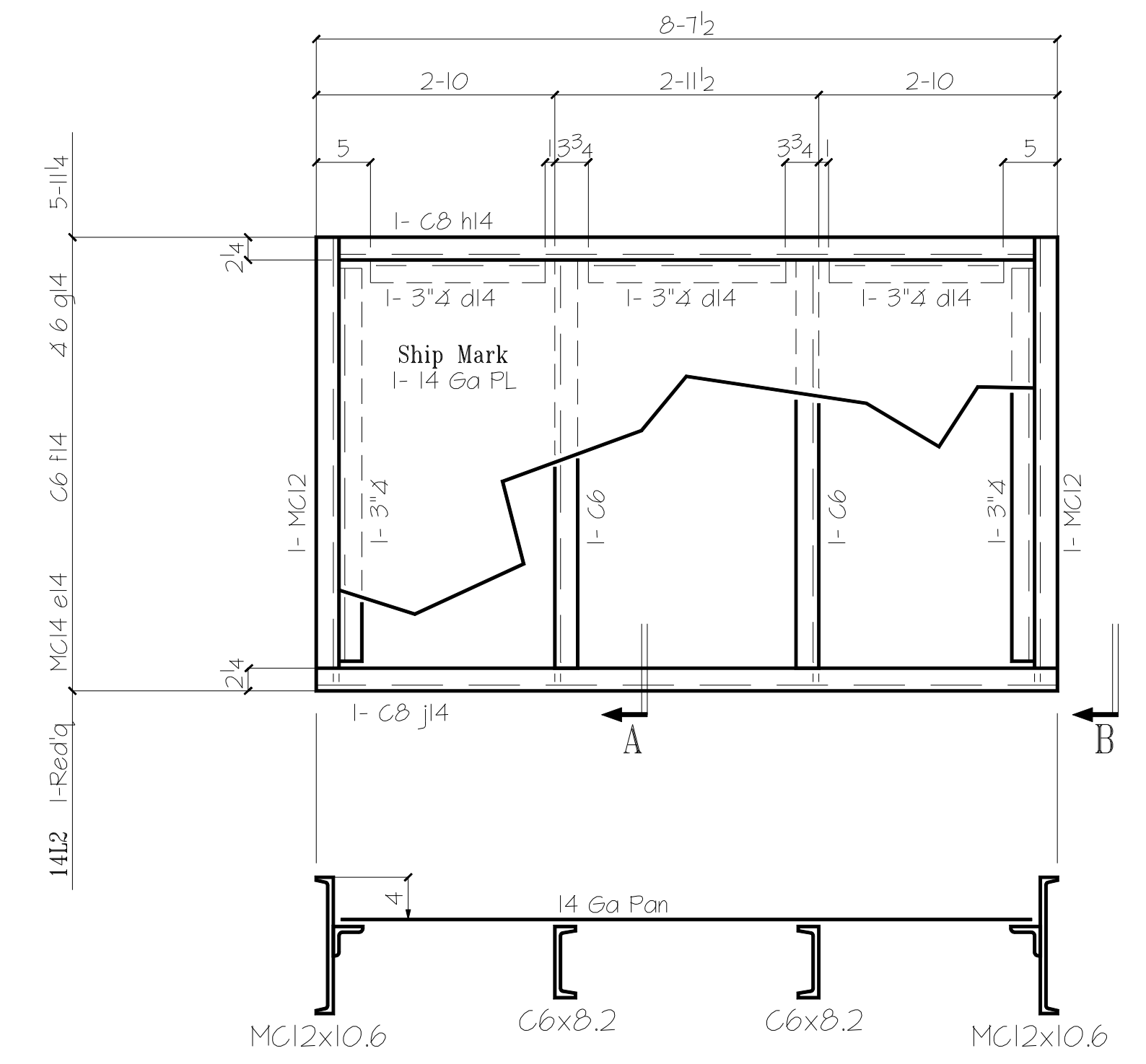
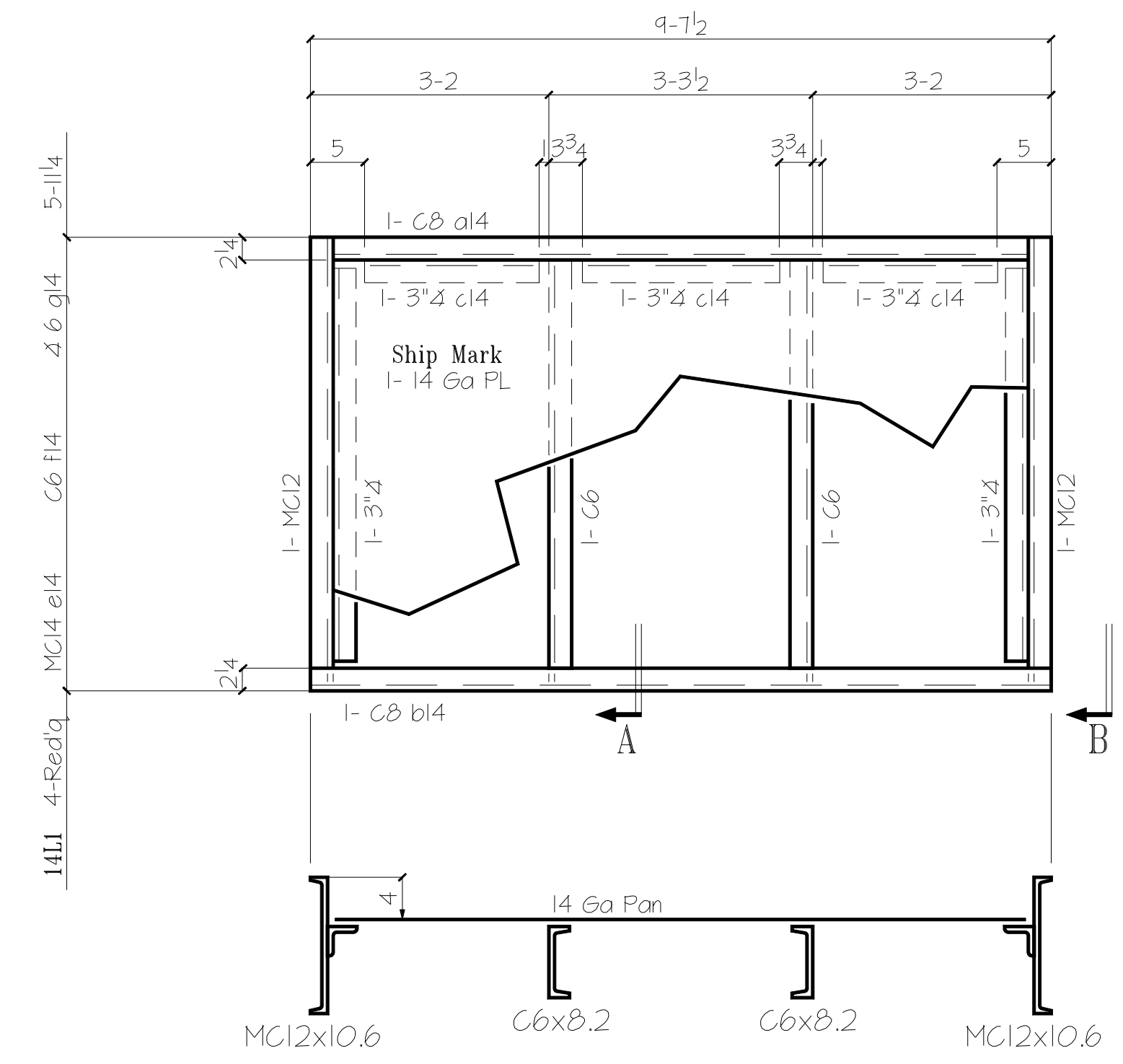




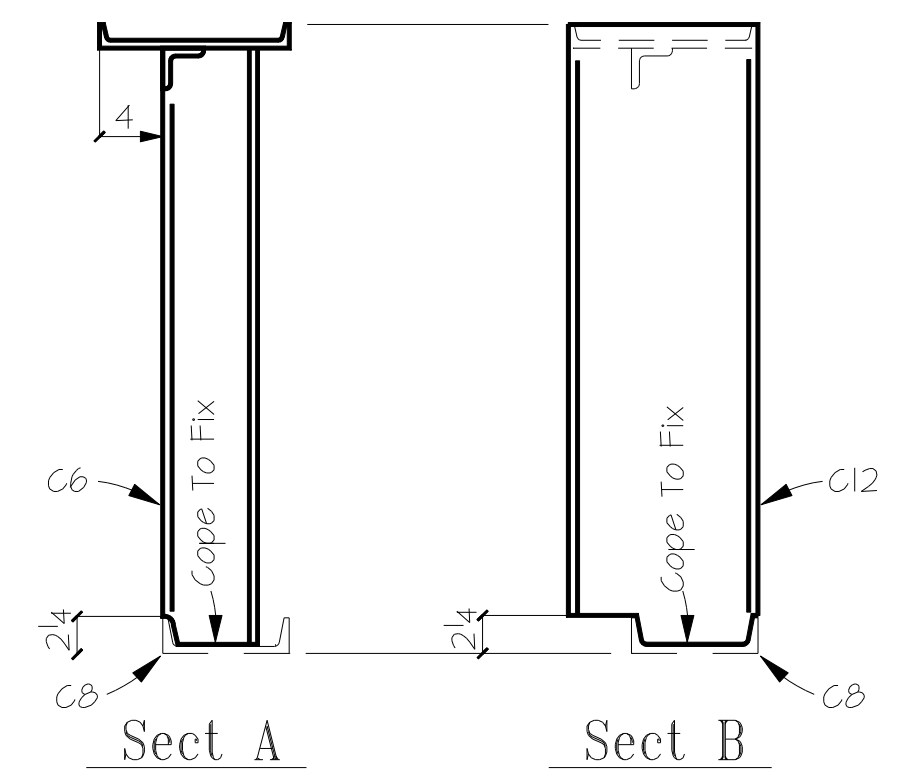
- BILL OF MATERIAL -

MARK	QTY	DESCRIPTION	LENGTH	REMARKS
Each				
1	14L1	4 14 GA PL x 5-11	9-4 1/2	
1	a14	4 C 8x11.5	9-4 1/2	
1	b14	4 C 8x11.5	9-7 1/2	
3	c14	12 4 3 x 3 x 1/4	2-7	
1/1	e14 L/R	4/4 MC 12 x 10.6	5-11	
1/1	f14 L/R	4/4 C 6x8.2	5-6 3/4	
2	g14	8 4 3 x 3 x 1/4	5-6	
Each				
1	1412	1 14 GA PL x 5-11	8-4 1/2	
1	h14	1 C 8x11.5	8-4 1/2	
1	j14	1 C 8x11.5	8-7 1/2	
3	d14	3 4 3 x 3 x 1/4	2-4	
1/1	e14 L/R	1/1 MC 12 x 10.6	5-11	
1/1	f14 L/R	1/1 C 6x8.2	5-6 3/4	
2	g14	2 4 3 x 3 x 1/4	5-6	
Each				
1	1413	3 14 GA PL x 5-11	9-4 1/2	
1	a14	3 MC 12 x 10.6	9-4 1/2	
1	b14	3 C 8x11.5	9-7 1/2	
3	c14	9 4 3 x 3 x 1/4	2-7	
1/1	m14 L/R	3/3 MC 12 x 10.6	6-6 1/4	
1/1	n14 L/R	3/3 C 6x8.2	6-4 3/4	
2	p14	6 4 3 x 3 x 1/4	6-4	
Each				
1	1414	1 14 GA PL x 5-11	9-4 1/2	
1	a14	1 MC 12 x 10.6	9-4 1/2	
1	b14	1 C 8x11.5	9-7 1/2	
3	c14	3 4 3 x 3 x 1/4	2-7	
1/1	r14 L/R	1/1 MC 12 x 10.6	4-8 1/4	
1/1	s14 L/R	1/1 C 6x8.2	4-6 3/4	
2	t14	2 4 3 x 3 x 1/4	4-6	
Each				
1	1415	1 14 GA PL x 5-11	9-4 1/2	
1	a14	1 MC 12 x 10.6	9-4 1/2	
1	b14	1 C 8x11.5	9-7 1/2	
3	c14	3 4 3 x 3 x 1/4	2-7	
1/1	w14 L/R	1/1 MC 12 x 10.6	5-7 1/4	
1/1	y14 L/R	1/1 C 6x8.2	5-5 3/4	
2	z14	2 4 3 x 3 x 1/4	5-5	
4	y10	4 Bar 1/4 x 4	0-4	
4	z10	4 Bar 1/4 x 2 1/2	0-2 1/2	

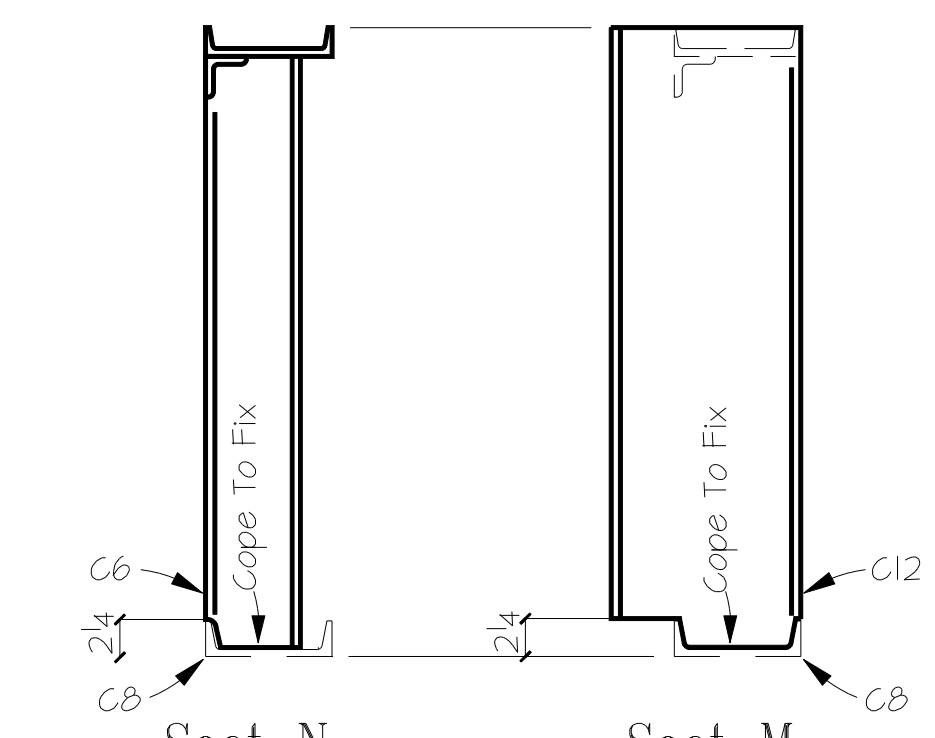


3D Landing Type # A  
4's Not Shown For Clarity

3D Landing Type # B  
4's Not Shown For Clarity



Sect A

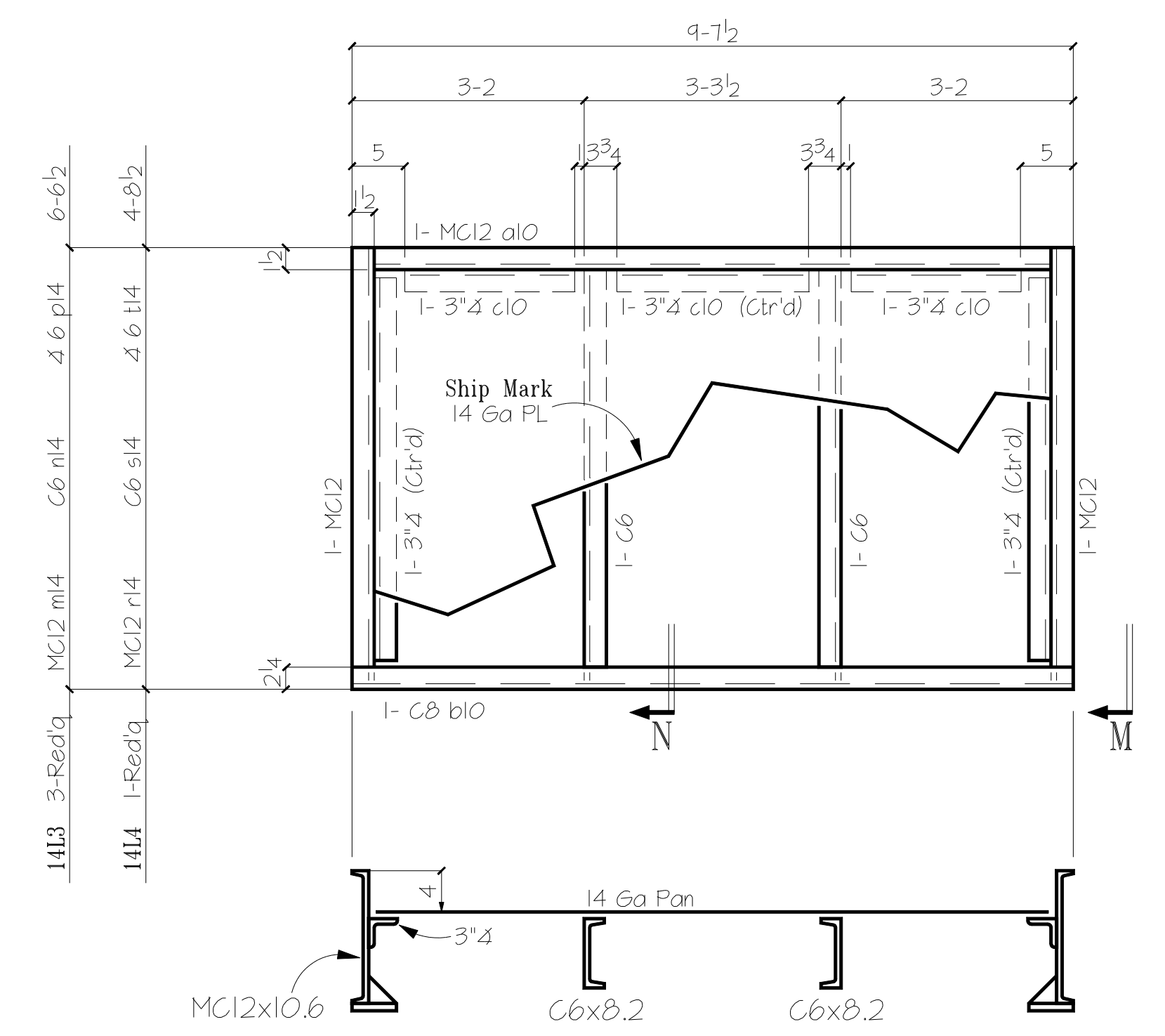


Sect N

Sect M

Landing Type # A

Landing Type # B



Drawing Are Based On  
Plans Dated 9-17-08

Plans For Approval  
& Not Construction

Usable Template Mark Letters  
Texas Steel Detailers  
FN-55th-SOLD.dwg

- DESCRIPTION OF REVISIONS MADE TO DRAWING -

REVISION	DESCRIPTION	DATE	MADE BY	CHK BY	SHOPED
1					
2					
3					
4					

REF DWG: A11

MATERIAL GRADE SHELL BE A36 U.N.O.

WF SHAPES A512 TUBES A500

CHANNELS A512 PIPES A53

COATING One 5/C Red Oxide Primer

13/16" OPEN HOLE    1/4" FILLETS    E700XX ELECTRODES

APPROVAL \_\_\_\_\_ ? \_\_\_\_\_ TO SHOP \_\_\_\_\_ ?

**UNC Steel**

DETAILS OF Stair Type # 4 Parts

CUSTOMER \_\_\_\_\_

ENGINEERING \_\_\_\_\_

ARCHITECT \_\_\_\_\_

PROJECT Stay Bridge Suites

LOCATION N Loop 1604 SA TX

DETAIL DY 4-12-09    JOB # 0902    SHEET # D14

CHK.R tsd 4-12-09

