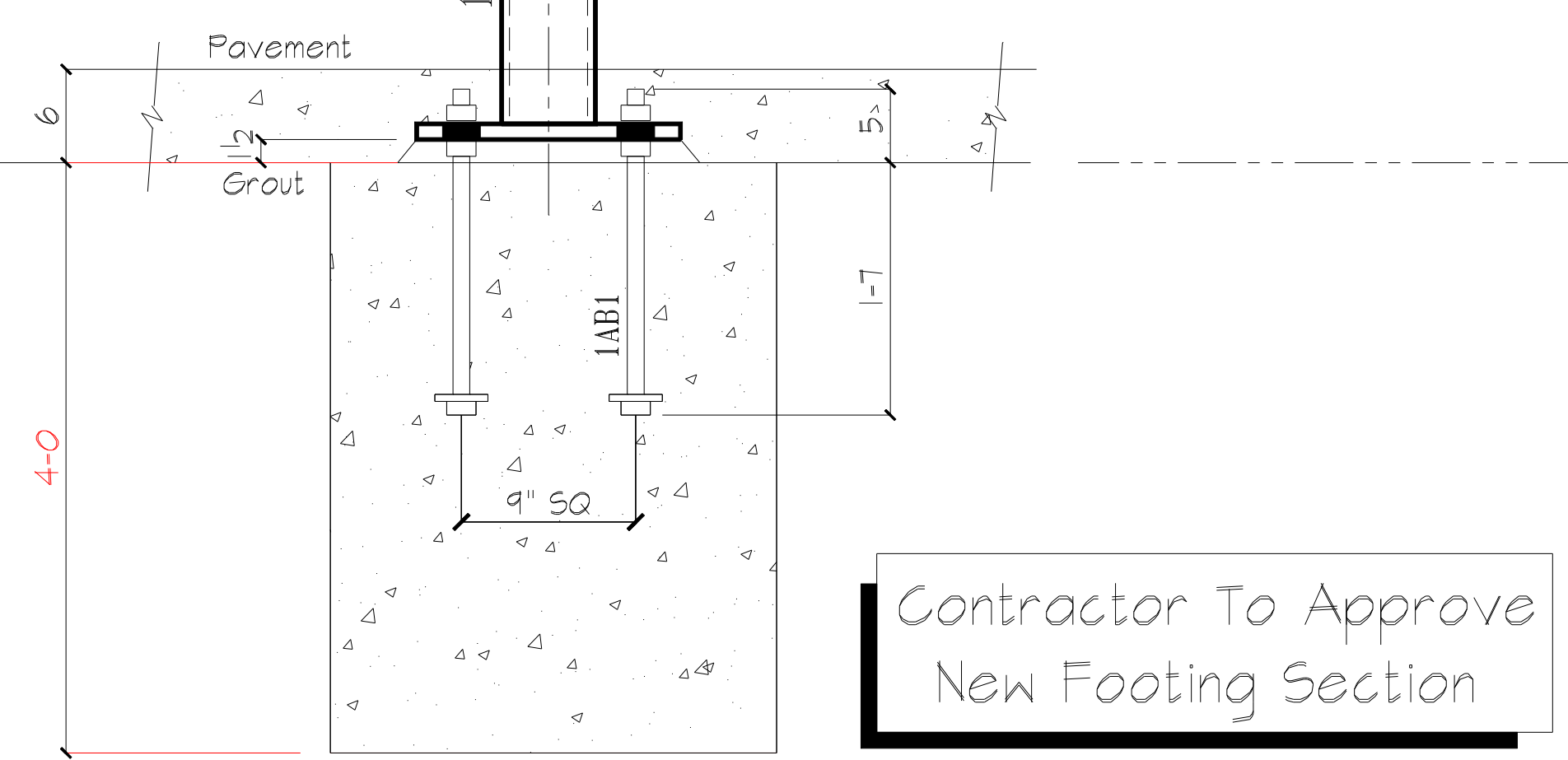


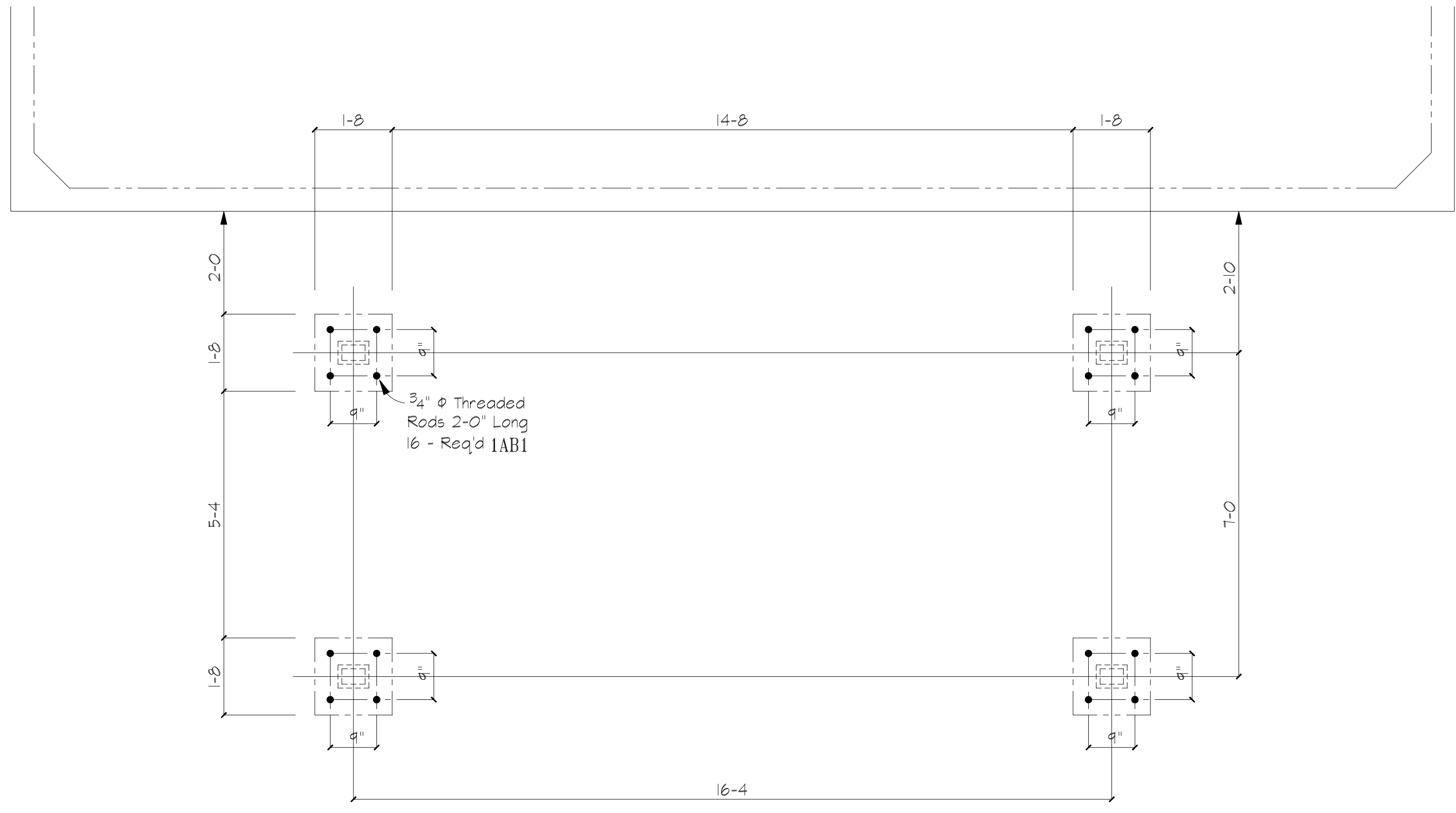
Front View of Canopy



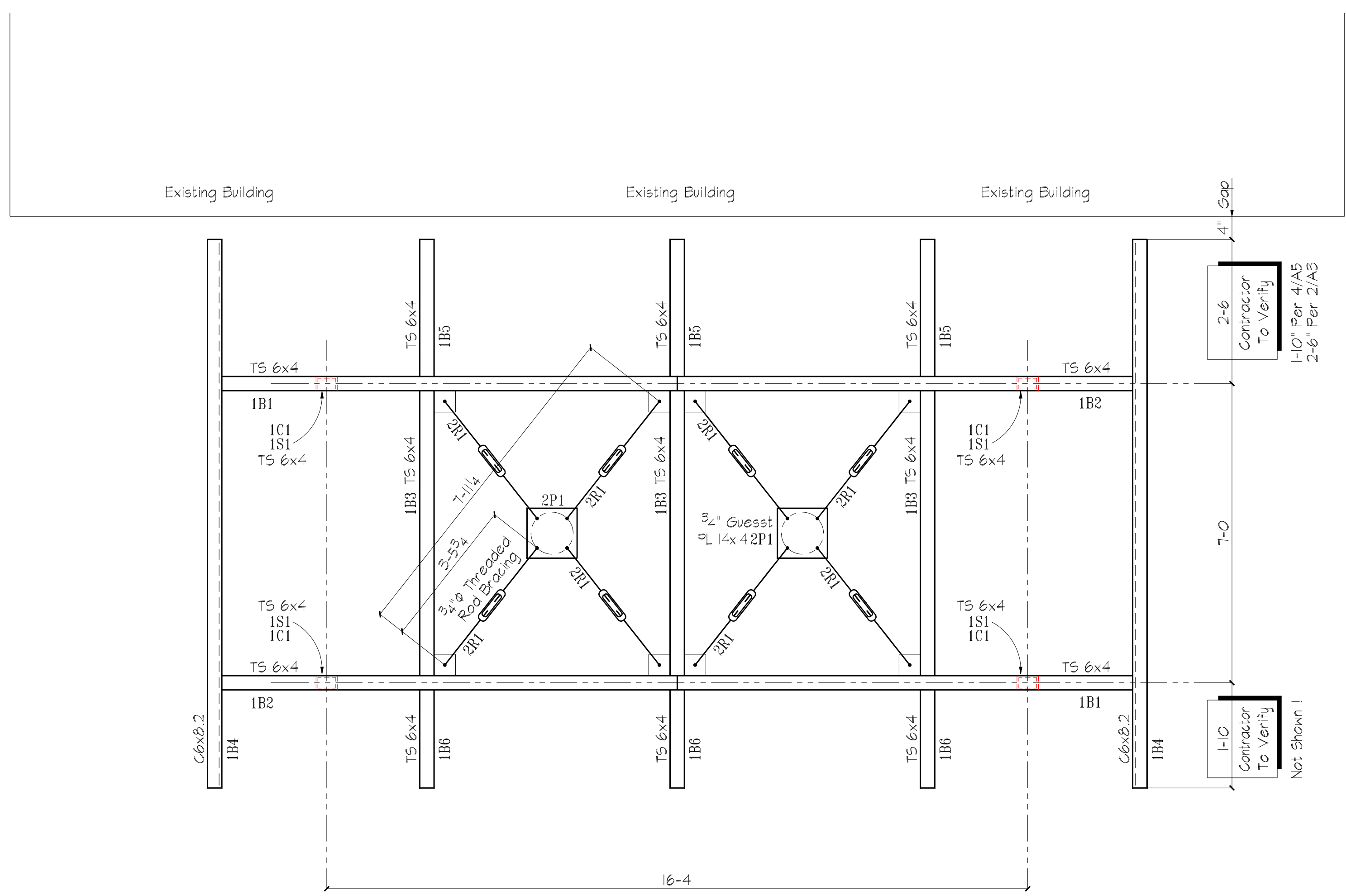
Footing Section

Plans For Approval
& Not Construction

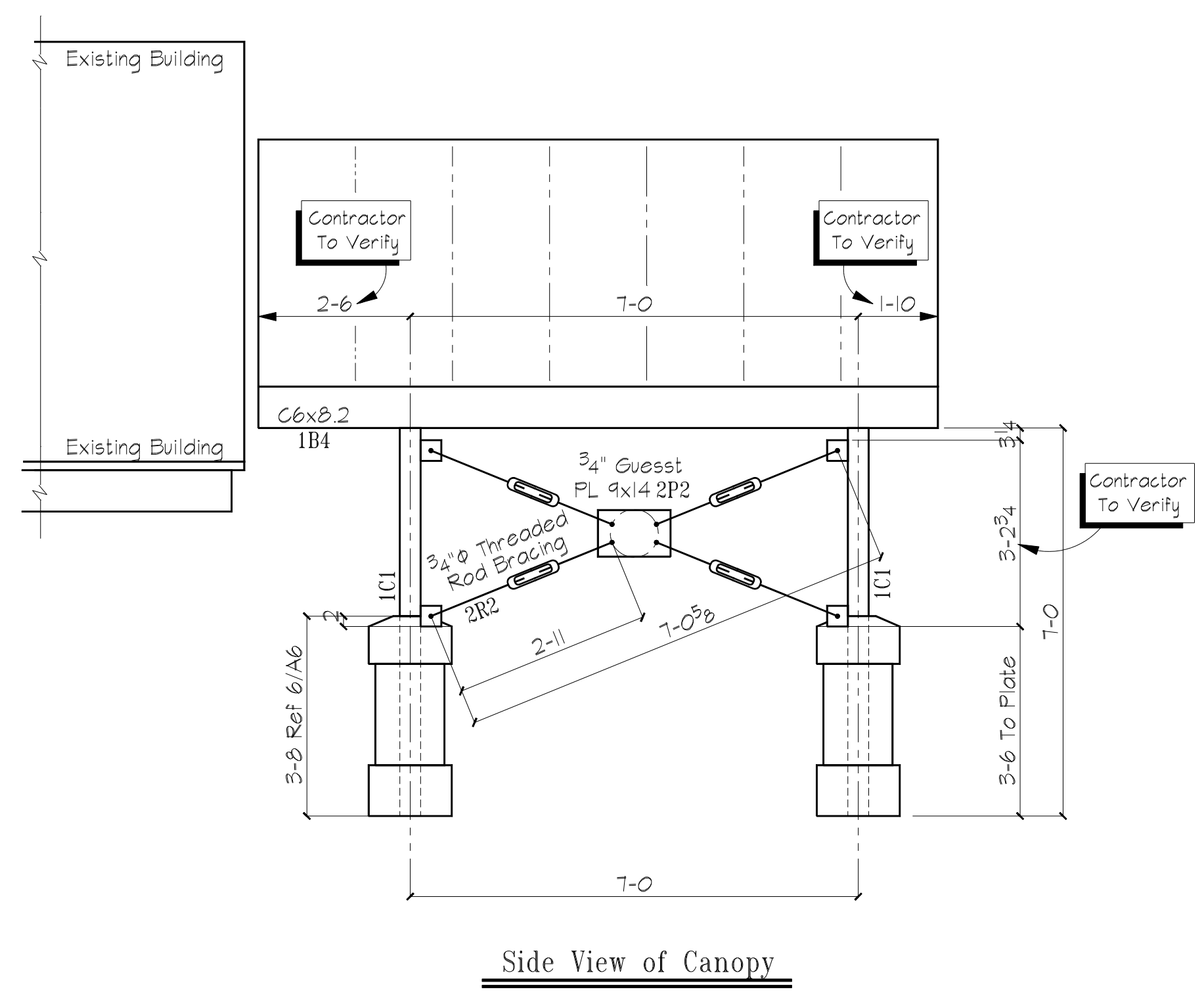
- DESCRIPTION OF REVISIONS MADE TO DRAWING -		MATERIAL GRADE SHELL BE <u>A36</u> U.N.O.	
1		WF SHAPES <u>A992</u>	TUBES <u>A500</u>
2		CHANNELS <u>A992</u>	PIPES <u>A501 or A53</u>
3		COATING <u>One S/C Red Oxide Primer</u>	
REVISION DESCRIPTION		DATE	MADE BY
REF DWG <u>SI S6</u>		CHK BY	SHOPED
APPROVAL _____		TO SHOP _____	



Anchor Bolt Plan



Top View of Canopy



Side View of Canopy

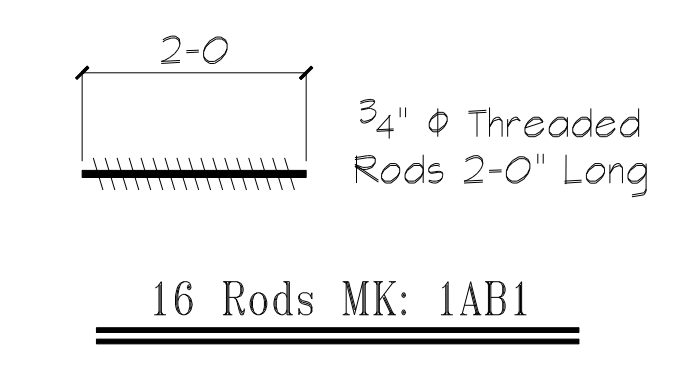
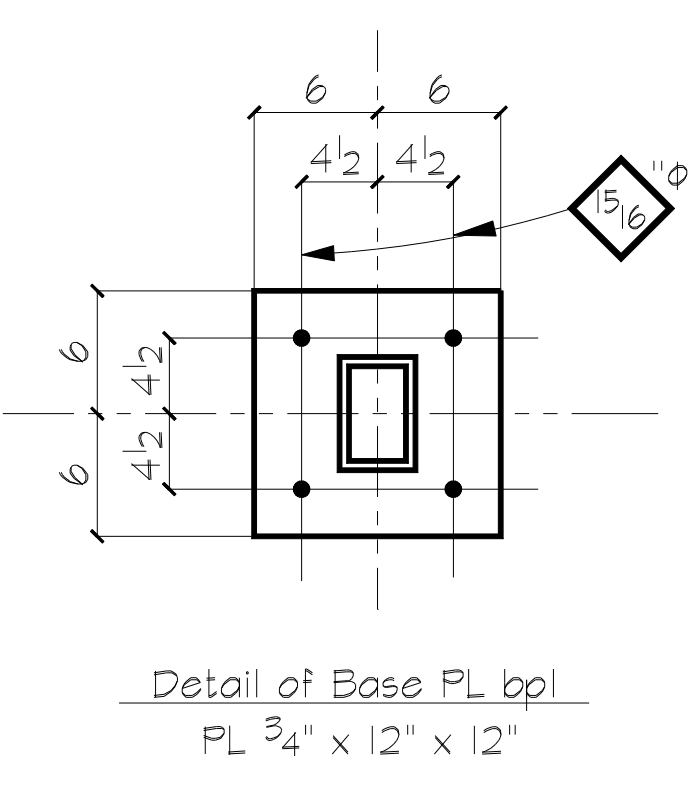
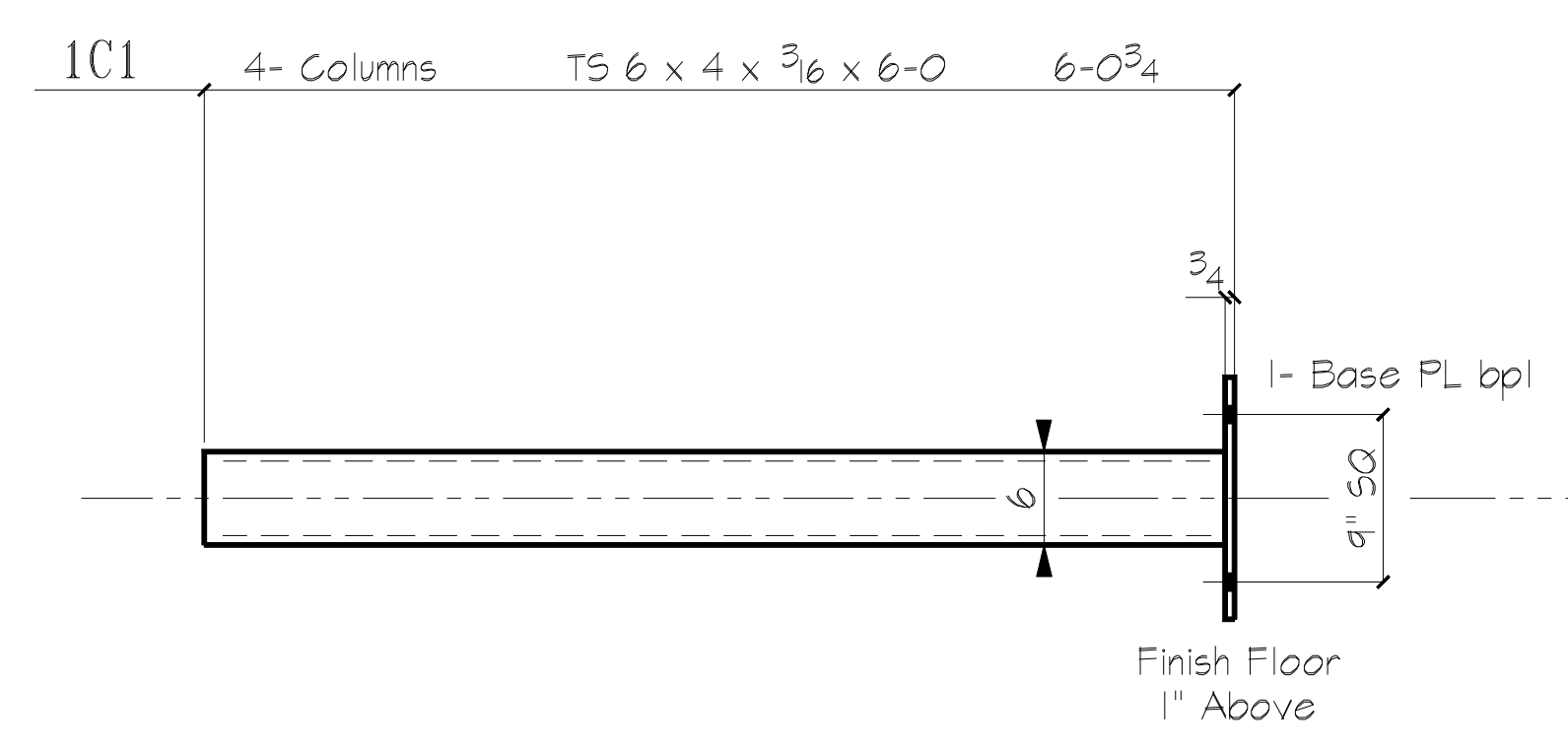
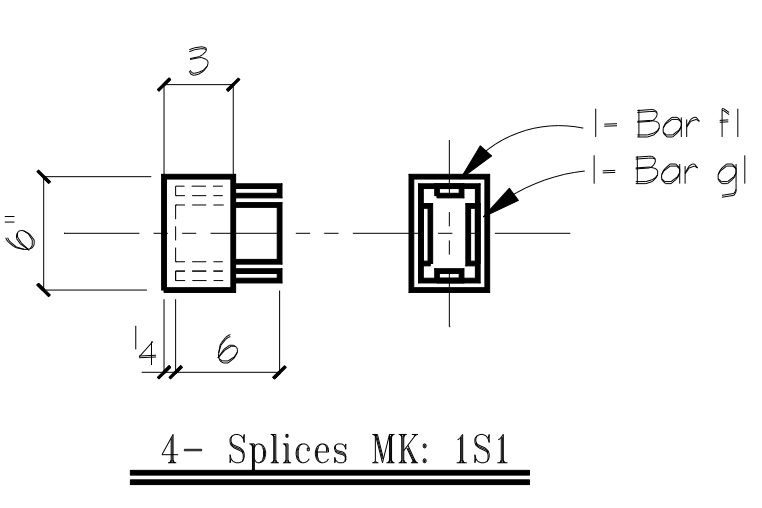
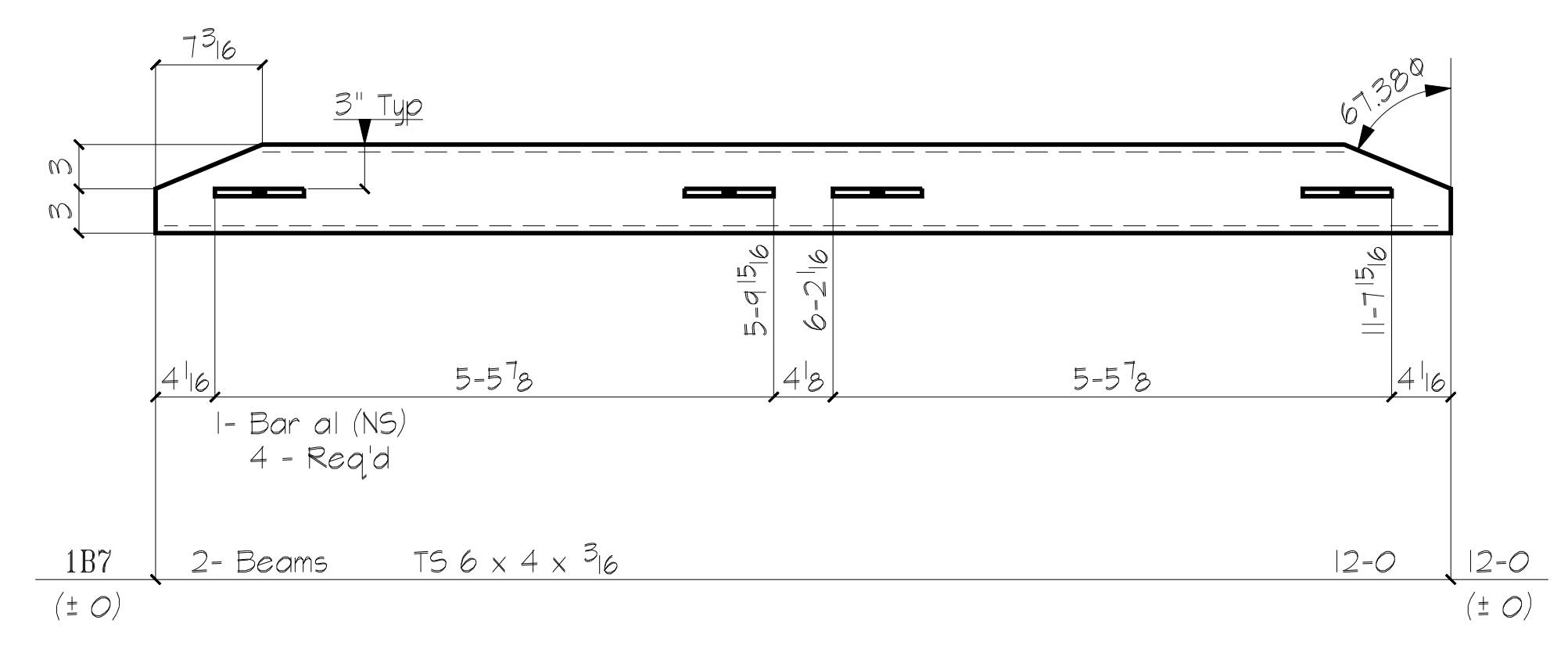
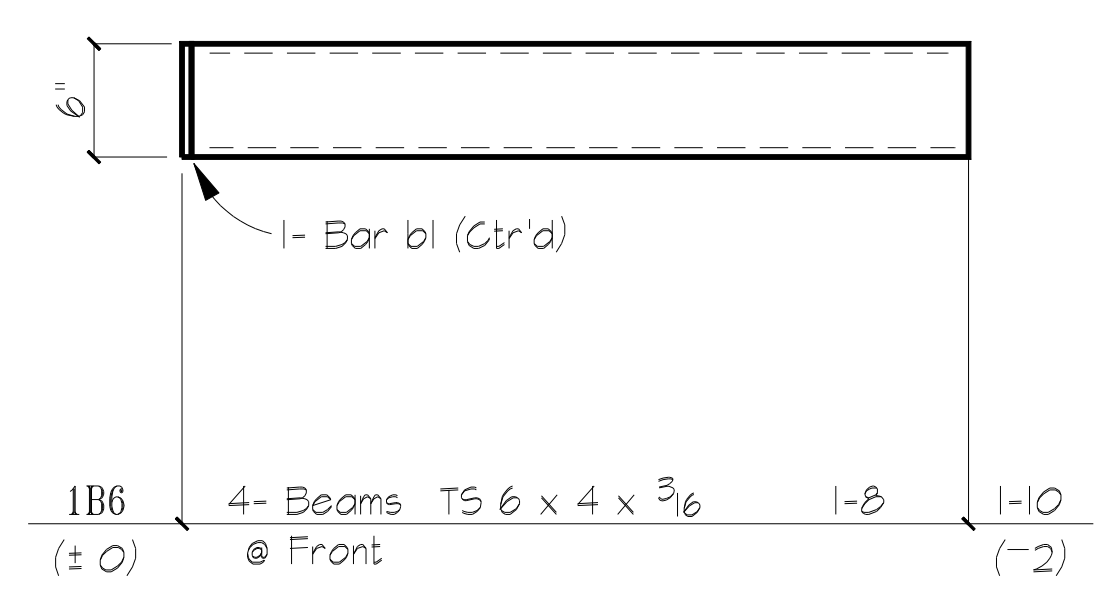
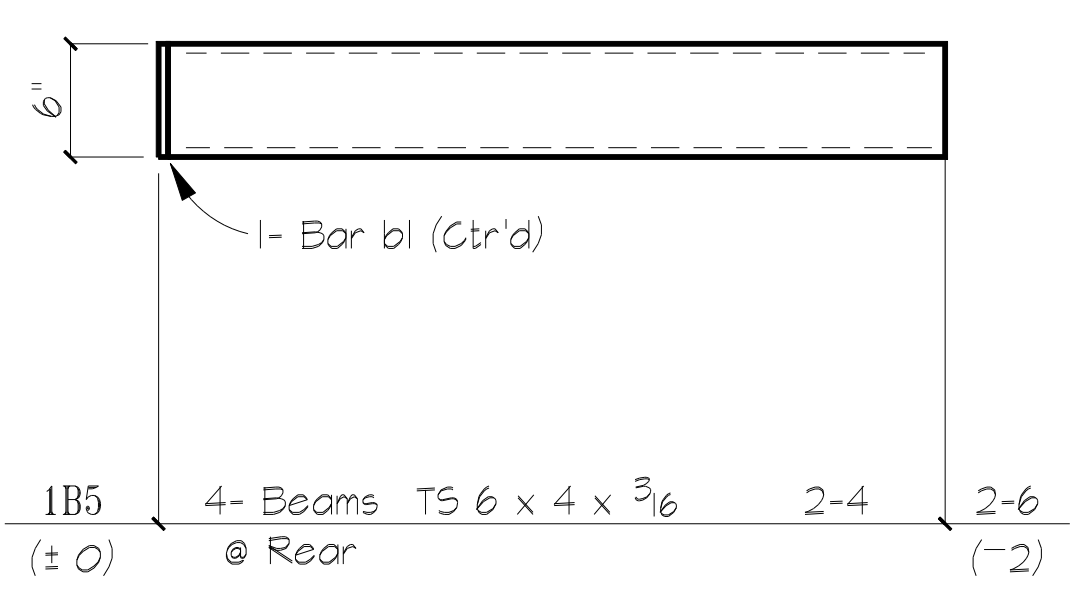
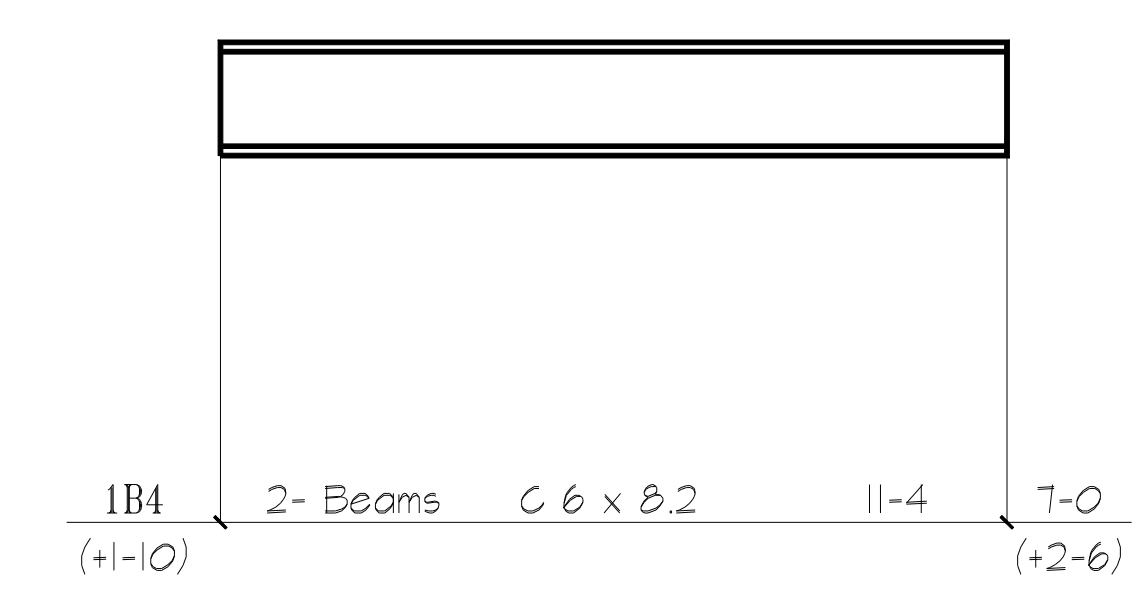
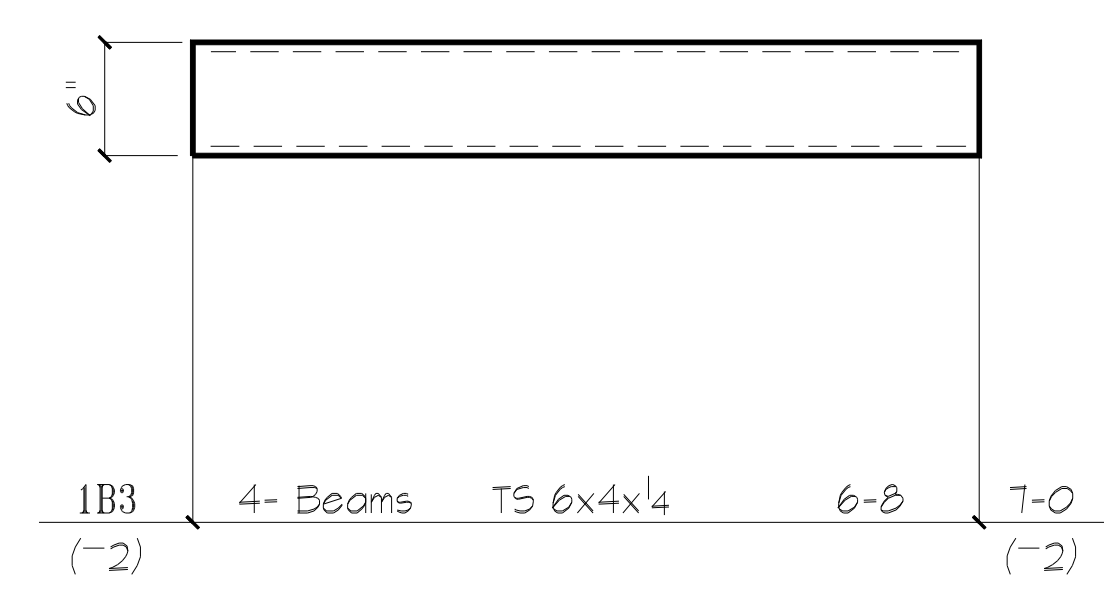
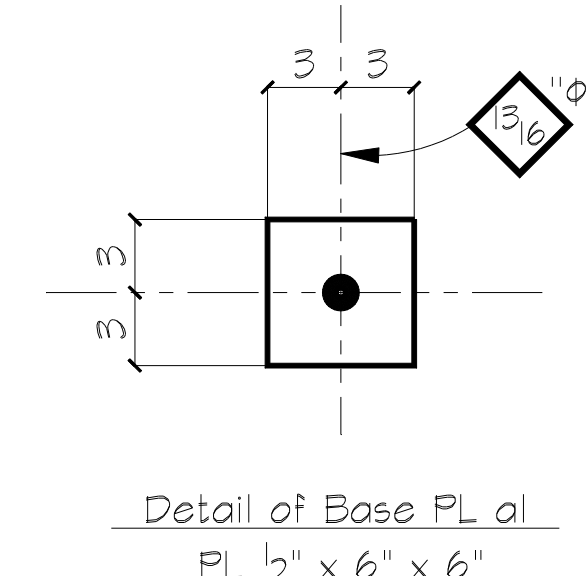
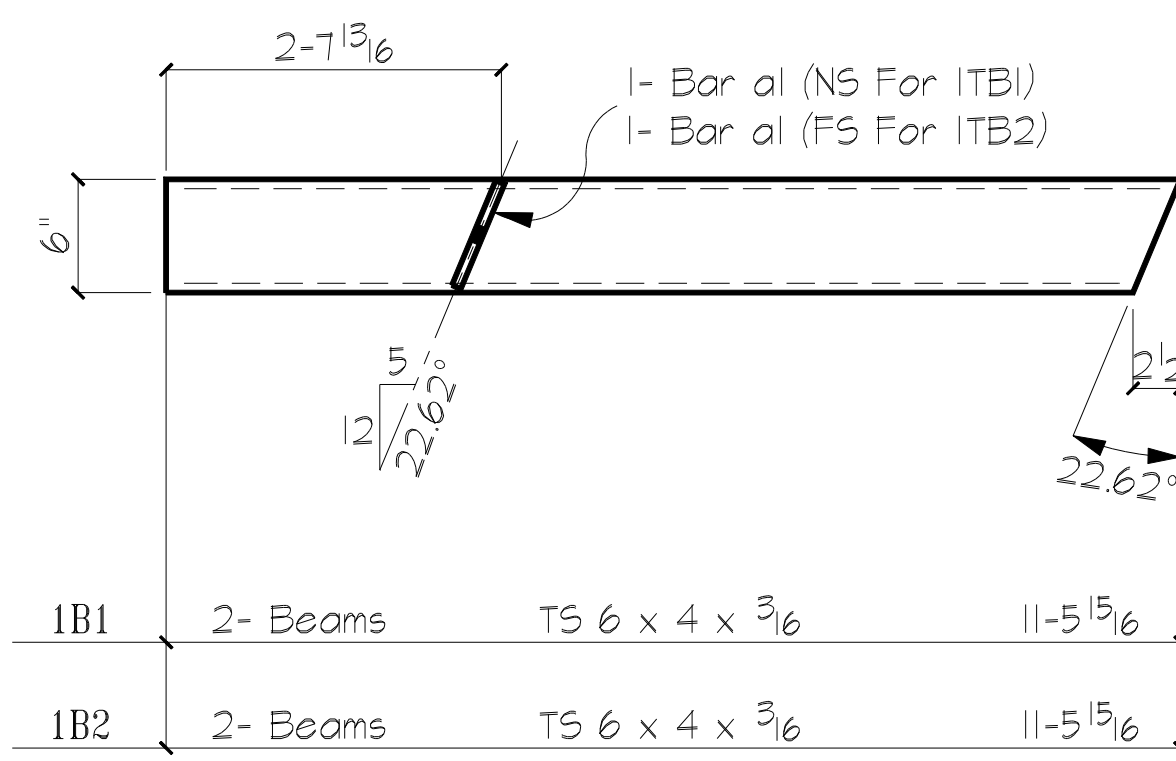
Plans For Approval
& Not Construction

Useable Template Mark Letters
abcdefghijklmnopqrstuvwxyz
TSD File: m1rstar.dwg

- DESCRIPTION OF REVISIONS MADE TO DRAWING -		MATERIAL GRADE SHELL BE <u>A36</u> U.N.O.	
1		WF SHAPES <u>A992</u>	TUBES <u>A500</u>
2		CHANNELS <u>A992</u>	PIPES <u>A501 or A53</u>
3		COATING <u>One S/C Red Oxide Primer</u>	
REVISION DESCRIPTION		DATE	MADE BY
REF DWG <u>S1 S6</u>		SHOPED	
APPROVAL		TO SHOP	

- BILL OF MATERIAL -

MARK	QTY	DESCRIPTION	LENGTH	REMARKS
1B1	2	TS 6 x 4 x 3/16	11-5 15/16	Miter
al	2	Bar 1/2 x 6	0-6	
1B2	2	TS 6 x 4 x 3/16	11-5 15/16	Miter
al	2	Bar 1/2 x 6	0-6	
1B3	4	TS 6 x 4 x 3/16	6-8	
1B4	2	C 6 x 8.2	11-4	
1B5	4	TS 6 x 4 x 3/16	2-4	
bl	4	Bar 4 x 4	0-6	
1B6	4	TS 6 x 4 x 3/16	1-8	
bl	4	Bar 4 x 4	0-6	
1B7	2	TS 6 x 4 x 3/16	12-0	
al	8	Bar 1/2 x 6	0-6	
1S1	4	TS 6 x 4 x 3/16	0-3	
fl	4	Bar 1/4 x 6	0-3	
gl	4	Bar 1/4 x 6	0-4 1/2	
1C1	4	TS 6 x 4 x 3/16	6-0	
bpl	4	Bar 3/4 x 12	1-0	
1AB1	16	3/4" ϕ Threaded Rod	2-0	
nut	48	3/4" ϕ Nut		
washer	32	3/4" ϕ Washer		



Plans For Approval
& Not Construction

Usable Template Mark Letters
abcdefghijklmnopqrstuvwxyz
FN= minster.dwg

- DESCRIPTION OF REVISIONS MADE TO DRAWING -				
1				
2				
3				
	REVISION DESCRIPTION	DATE	MADE BY	CHK BY
	REF DWG SI S6			

MATERIAL GRADE SHELL BE	A36	U.N.O.
WF SHAPES	A992	TUBES A500
CHANNELS	A992	PIPES A501 or A53
COATING	One S/C Red Oxide Primer	
13/16" ϕ OPEN HOLE	3/16" FILLETS	E700XX ELECTRODES
APPROVAL	TO SHOP	