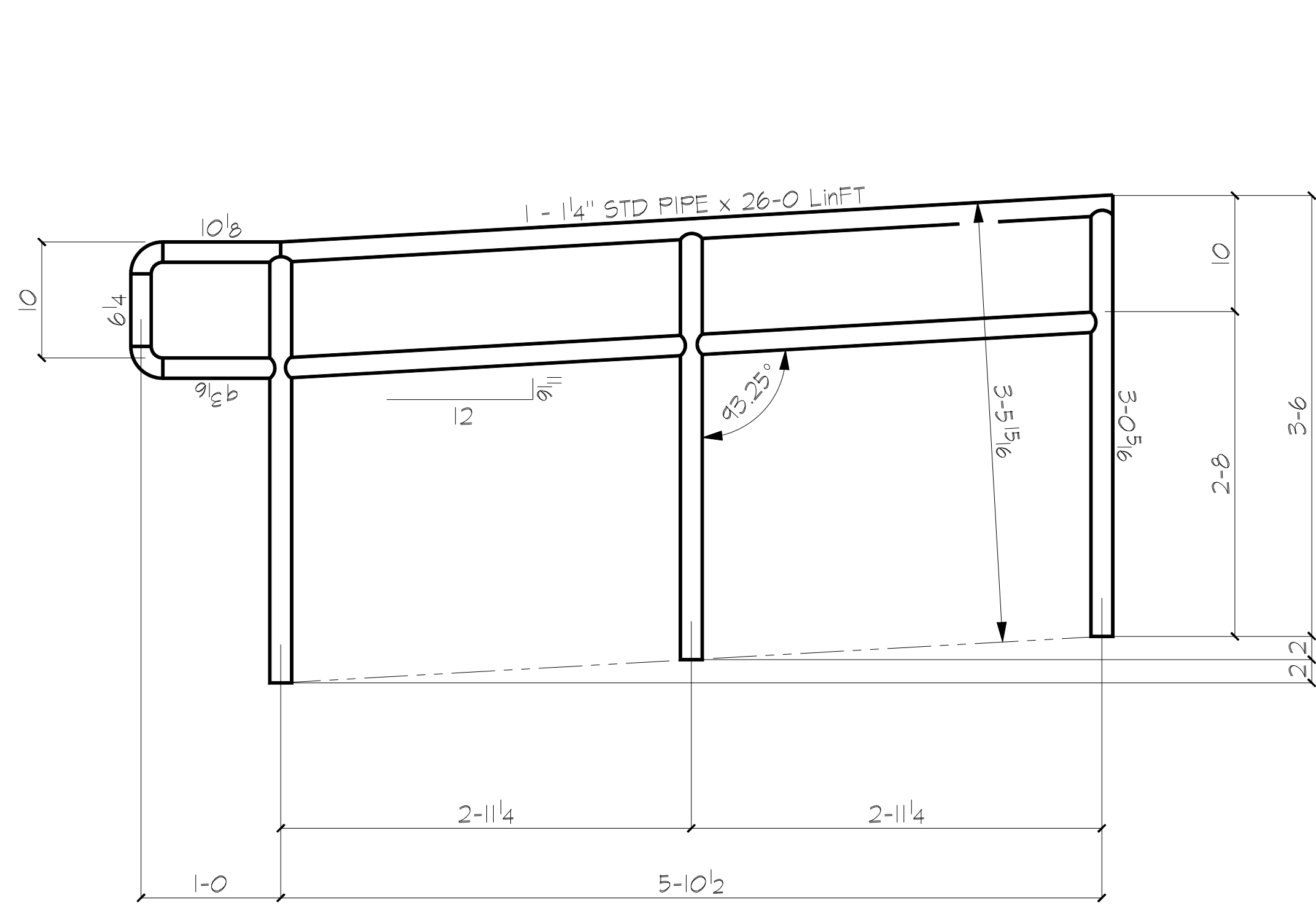


Plans For Approval  
& Not Construction

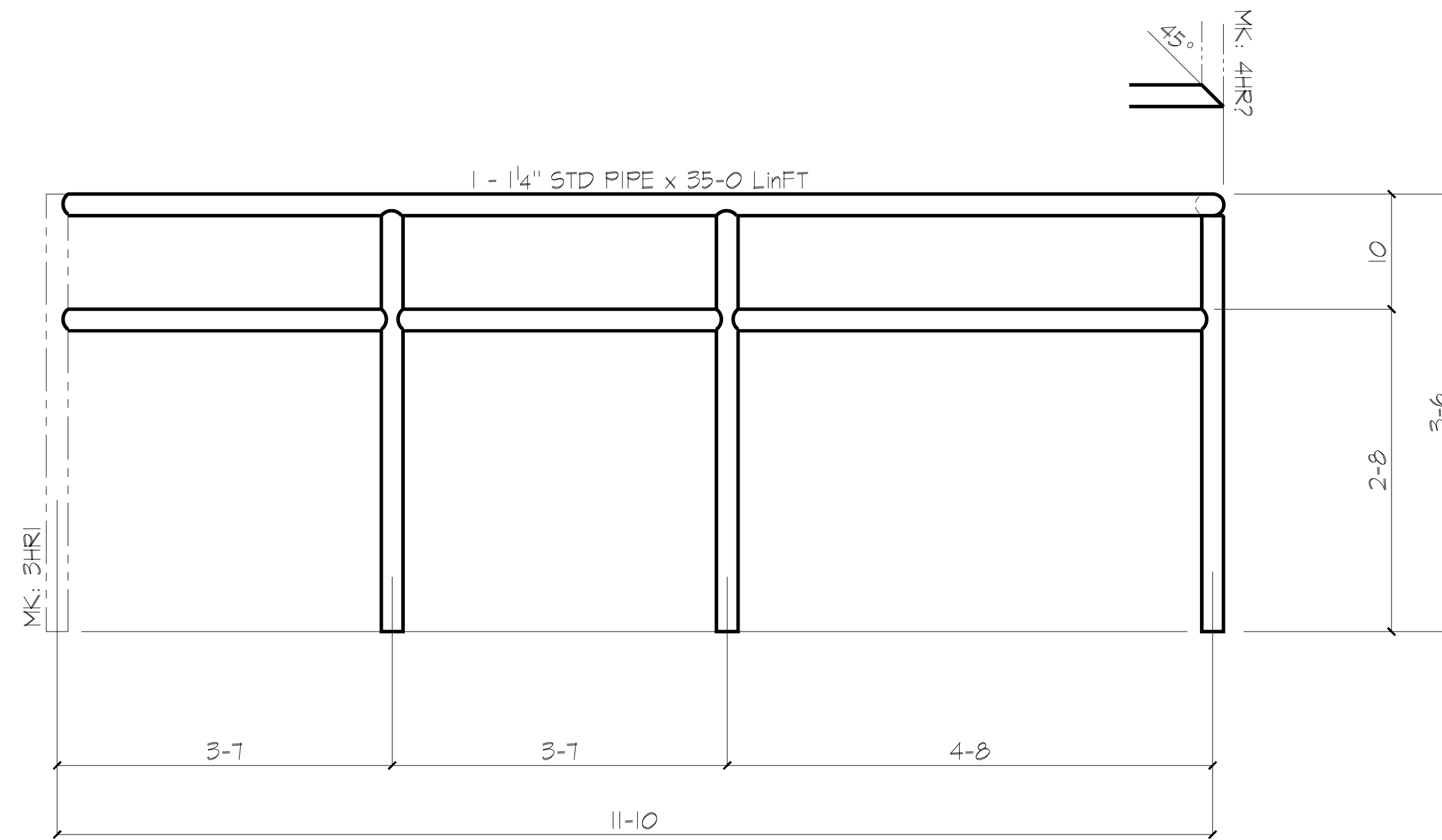
MATERIAL GRADE SHELL BE	A36	U.N.O.	<b>UNC</b>	
WF SHAPES	A992	TUBES		
CHANNELS	A992	PIPES	A501 or A53	DETAILS OF <u>Handrails Layout</u>
COATING	One S/C Red Oxide Primer		CUSTOMER	North Minster Church
			ARCHITECT	
			PROJECT	New Entrance Canopy
			LOCATION	
			DETAIL	DY 10-25-09
			CHK.R	tsd 10-25-09
APPROVAL		TO SHOP		
			JOB #	SHEET #
			Minster	E3

- BILL OF MATERIAL -

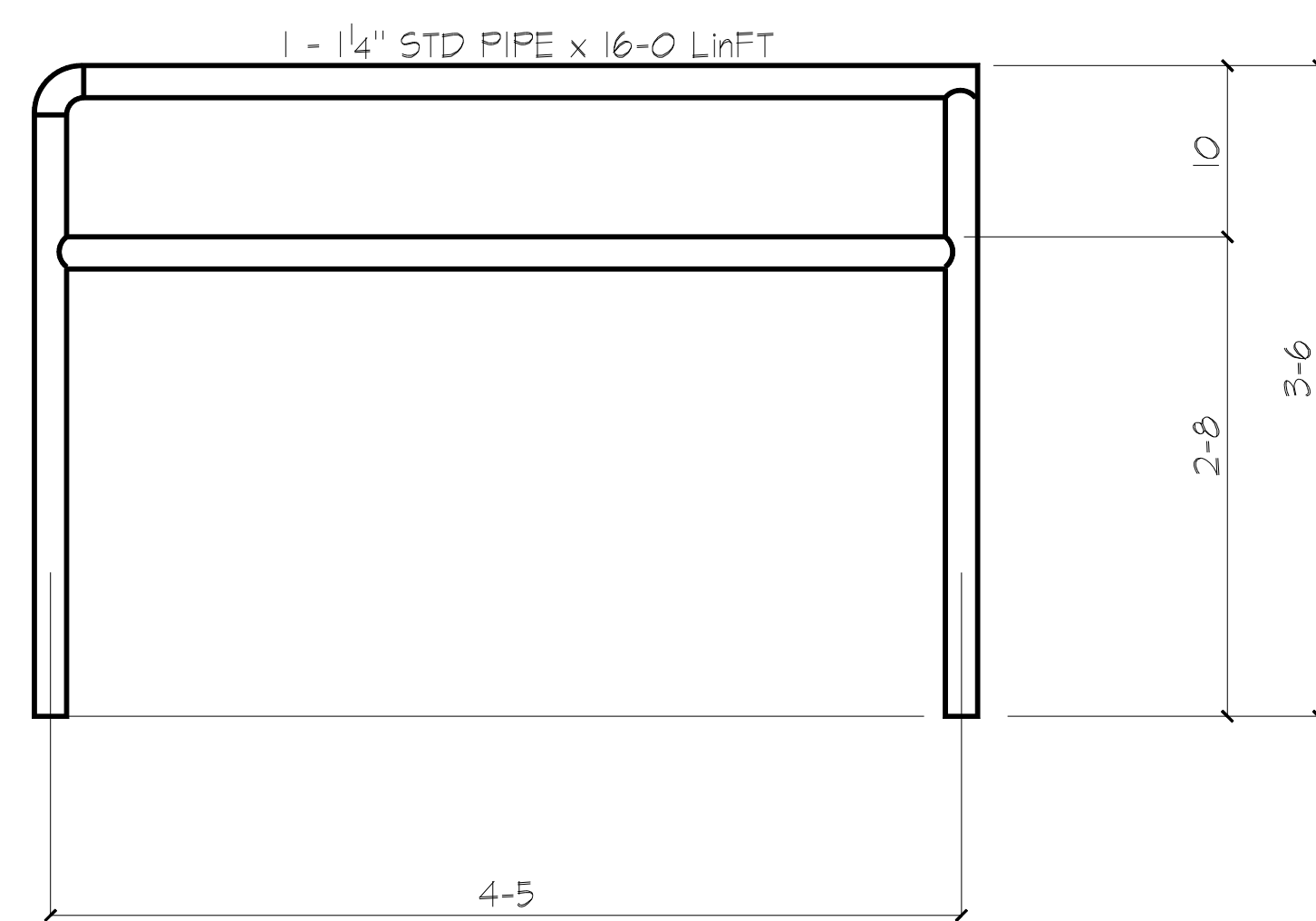
MARK	QTY	DESCRIPTION	LENGTH	REMARKS
3HR1	1	1 1/4" $\phi$ Std Pipe	26 Lin Ft	
3HR2	1	1 1/4" $\phi$ Std Pipe	35 Lin Ft	
3HR3	1	1 1/4" $\phi$ Std Pipe	16 Lin Ft	
3HR4	1	1 1/4" $\phi$ Std Pipe	31 Lin Ft	



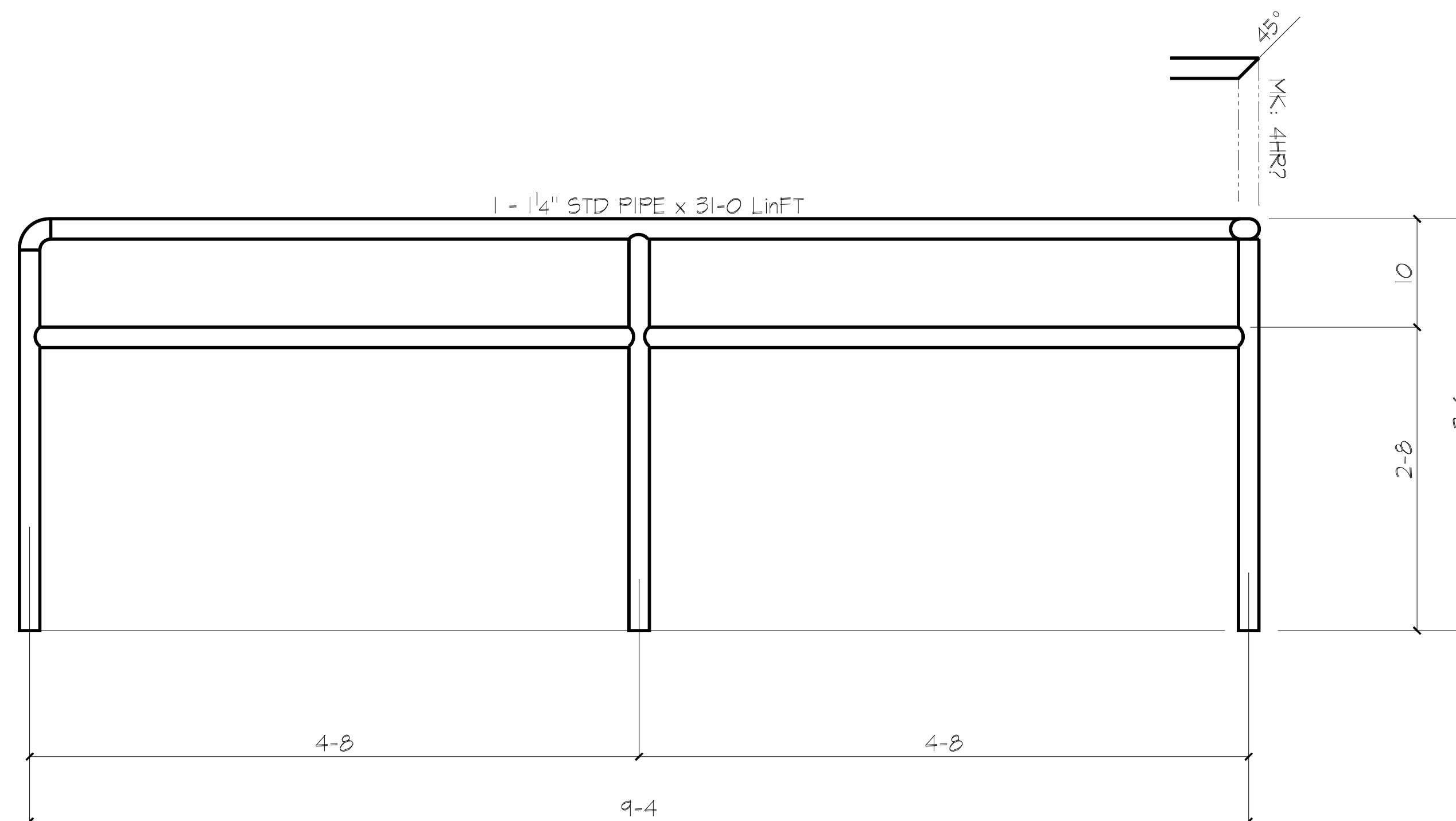
1 Handrail MK: 3HR1



1 Handrail MK: 3HR2



1 Handrail MK: 3HR3



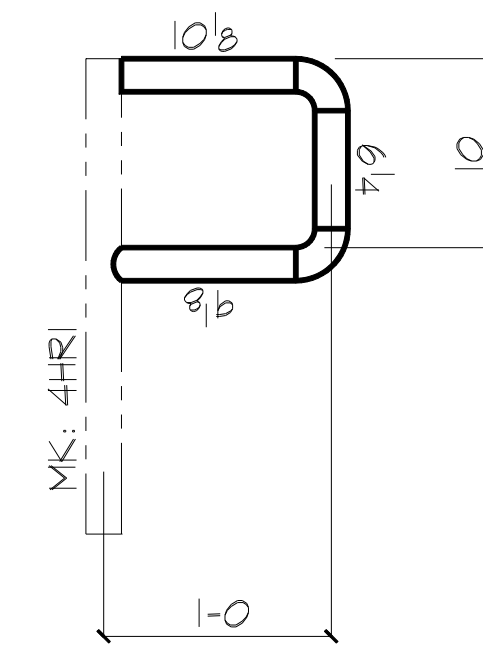
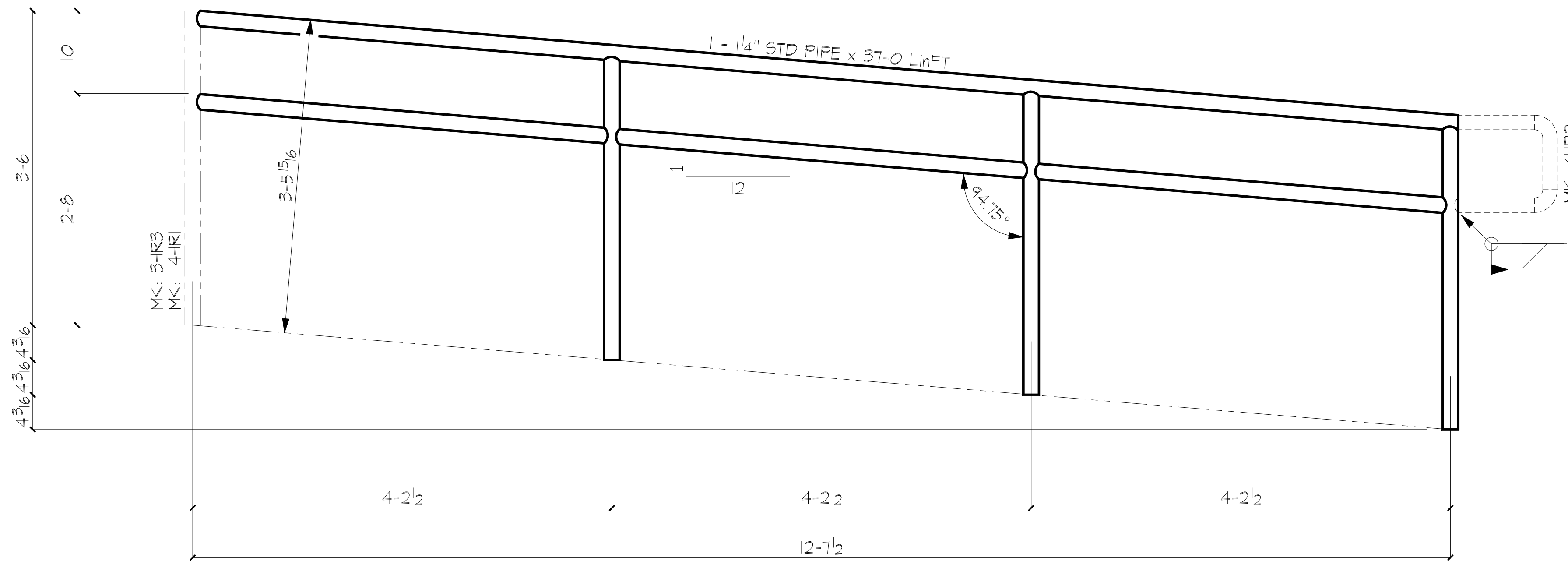
1 Handrail MK: 3HR4

Plans For Approval  
& Not Construction

Usable Template Mark Letters  
abcdefghijklmnopqrstuvwxyz  
FN= minster-handrail.dwg

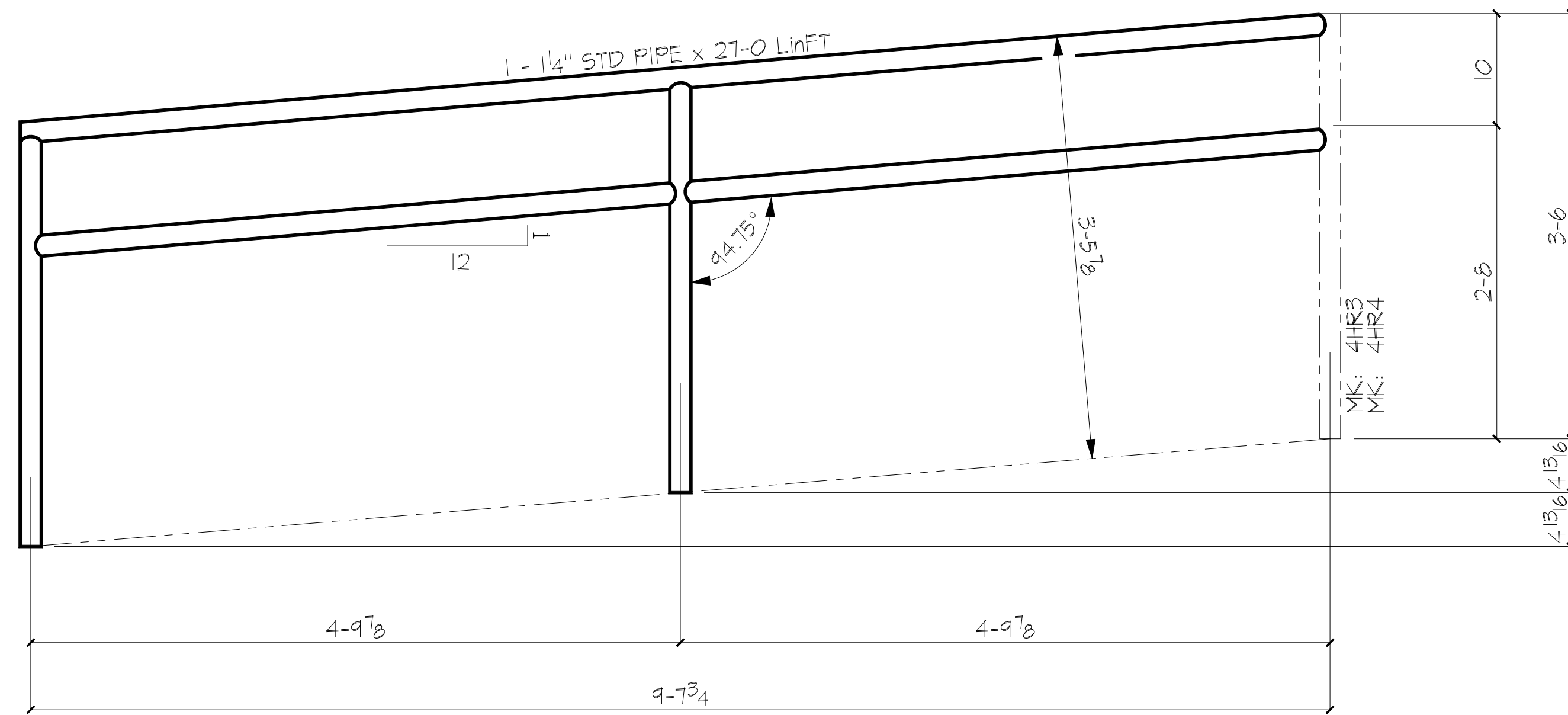
- DESCRIPTION OF REVISIONS MADE TO DRAWING -		MATERIAL GRADE SHELL BE <u>A36</u> U.N.O.	UNC
<ol style="list-style-type: none"> <li>1</li> <li>2</li> <li>3</li> </ol>		WF SHAPES <u>A992</u> TUBES <u>A500</u>	
REVISION DESCRIPTION DATE MADE BY CHK BY SHOPED		CHANNELS <u>A992</u> PIPES <u>A501 or A53</u>	DETAILS OF Handrails
		COATING <u>One S/C Red Oxide Primer</u>	CUSTOMER <u>North Minster Church</u>
		<u>13/16" <math>\phi</math></u> OPEN HOLE <u>3/16"</u> FILLETS <u>E700XX</u> ELECTRODES	ARCHITECT
REF DWG <u>SI S6</u>		APPROVAL _____ TO SHOP _____	PROJECT <u>New Entance Canopy</u>
			LOCATION _____
			DETAIL <u>DY</u> <u>10-10-09</u> JOB # _____ SHEET # _____
			CHK.R <u>tsd</u> <u>10-14-09</u> <b>Minster</b> <b>3</b>

MARK	QTY	DESCRIPTION	LENGTH	REMARKS
4HR1	4	1 1/4" $\phi$ Std Pipe	37 Lin Ft	
4HR2	2	1 1/4" $\phi$ Std Pipe	26 Lin Ft	
4HR3	1	1 1/4" $\phi$ Std Pipe	27 Lin Ft	

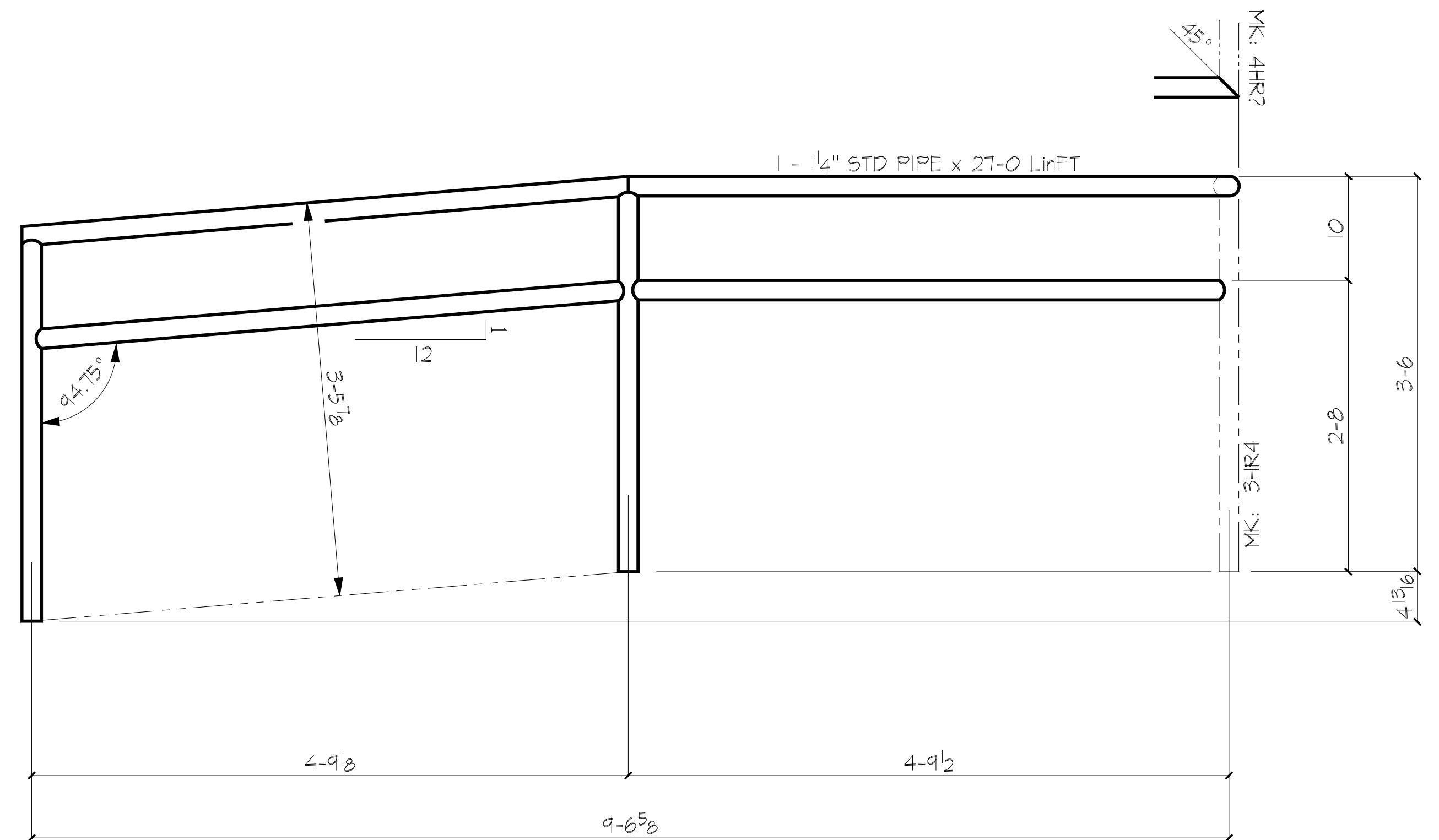


2 Handrail MK: 4HR2

4 Handrail MK: 4HR1



2 Handrail MK: 4HR3



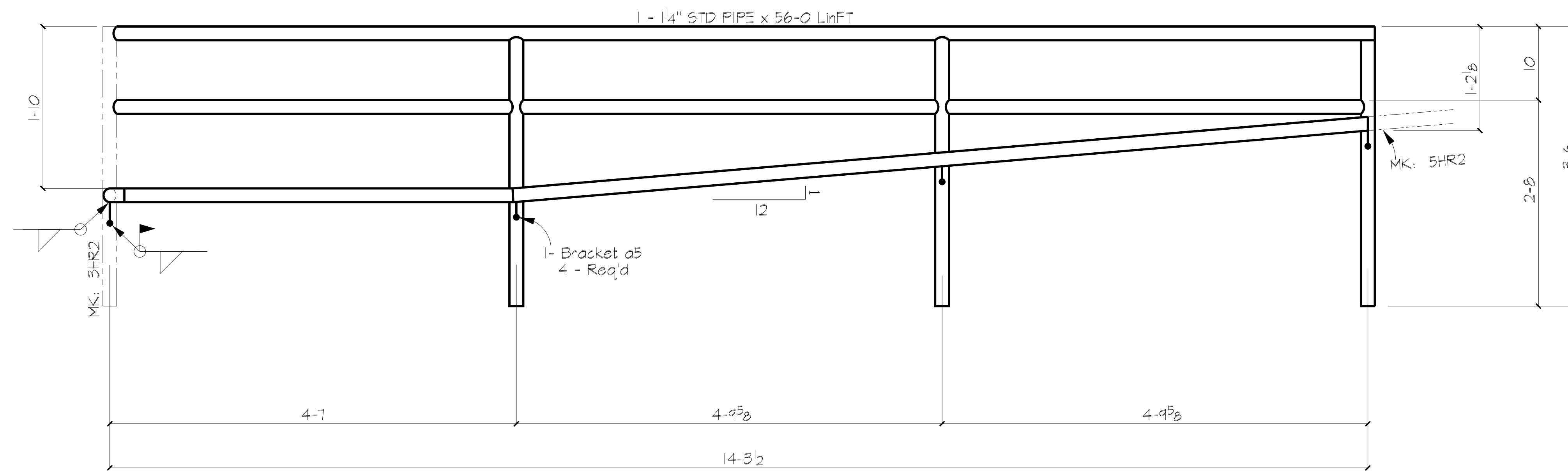
1 Handrail MK: 4HR4

Plans For Approval  
& Not Construction

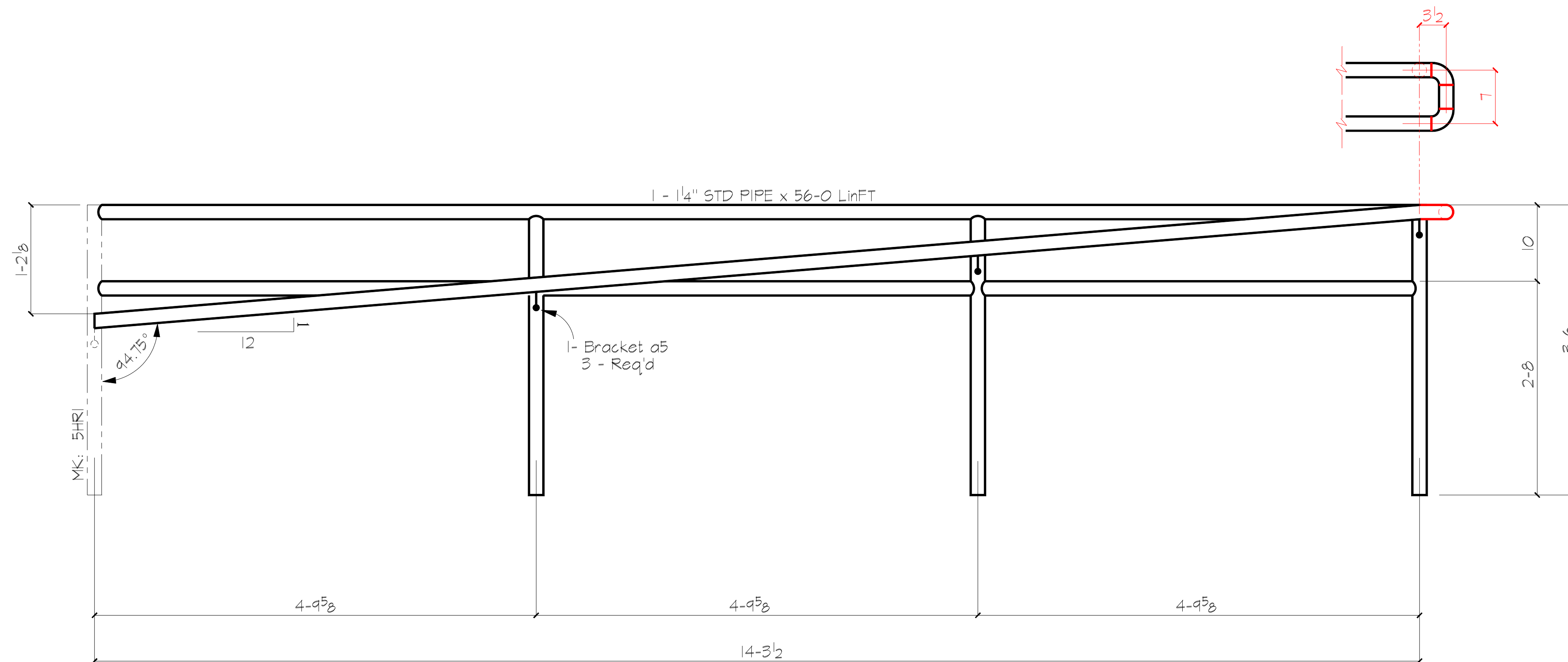
Usable Template Mark Letters  
abcdefghijklmnopqrstuvwxyz  
FN= minster-handrail.dwg

- DESCRIPTION OF REVISIONS MADE TO DRAWING -					MATERIAL GRADE SHELL BE <u>A36</u> U.N.O.			UNC DETAILS OF Handrails	
1					WF SHAPES <u>A992</u>	TUBES <u>A500</u>	CUSTOMER <u>North Minster Church</u>		
2					CHANNELS <u>A992</u>	PIPES <u>A501 or A53</u>	ARCHITECT _____		
3					COATING <u>One S/C Red Oxide Primer</u>			PROJECT <u>New Entance Canopy</u>	
	REVISION DESCRIPTION	DATE	MADE BY	CHK BY	SHOPED	<u>13/16" <math>\phi</math></u>	<u>3/16"</u>	<u>E700XX</u>	LOCATION _____
						OPEN HOLE	FILLET	ELECTRODES	
	REF DWG <u>SI S6</u>					APPROVAL _____ TO SHOP _____			DETAIL <u>DY</u> <u>10-25-09</u>
									JOB # <u>Minster</u>
									SHEET # <u>4</u>

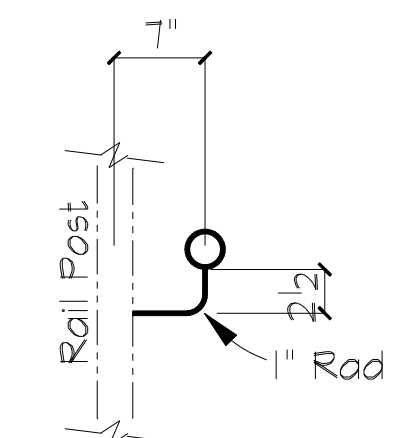
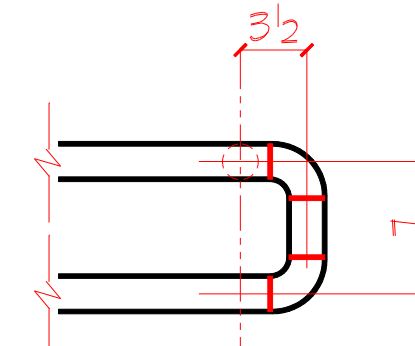
MARK	QTY	DESCRIPTION	LENGTH	REMARKS
3HR1	1	1 1/4" $\phi$ Std Pipe	56 Lin Ft	
3HR2	1	1 1/4" $\phi$ Std Pipe	56 Lin Ft	



1 Handrail MK: 5HR1



1 Handrail MK: 5HR2



Detail of Bracket a5  
7 - Req'd

Plans For Approval  
& Not Construction

Usable Template Letters  
abcdefghijklmnopqrstuvwxyz  
FN= minster-handrail.dwg

- DESCRIPTION OF REVISIONS MADE TO DRAWING -				MATERIAL GRADE SHELL BE <u>A36</u> U.N.O.		UNC
1				WF SHAPES <u>A992</u>	TUBES <u>A500</u>	
2				CHANNELS <u>A992</u>	PIPES <u>A501 or A53</u>	CUSTOMER <u>North Minster Church</u>
3				COATING <u>One S/C Red Oxide Primer</u>		ARCHITECT
	REVISION DESCRIPTION	DATE	MADE BY	CHK BY	SHOPED	PROJECT <u>New Entance Canopy</u>
						LOCATION
						DETAIL <u>DY</u> <u>10-25-09</u>
						JOB #
						Minster
						SHEET #
						5

REF DWG SI 56

APPROVAL \_\_\_\_\_ TO SHOP \_\_\_\_\_

CHK.R tsd 10-25-09