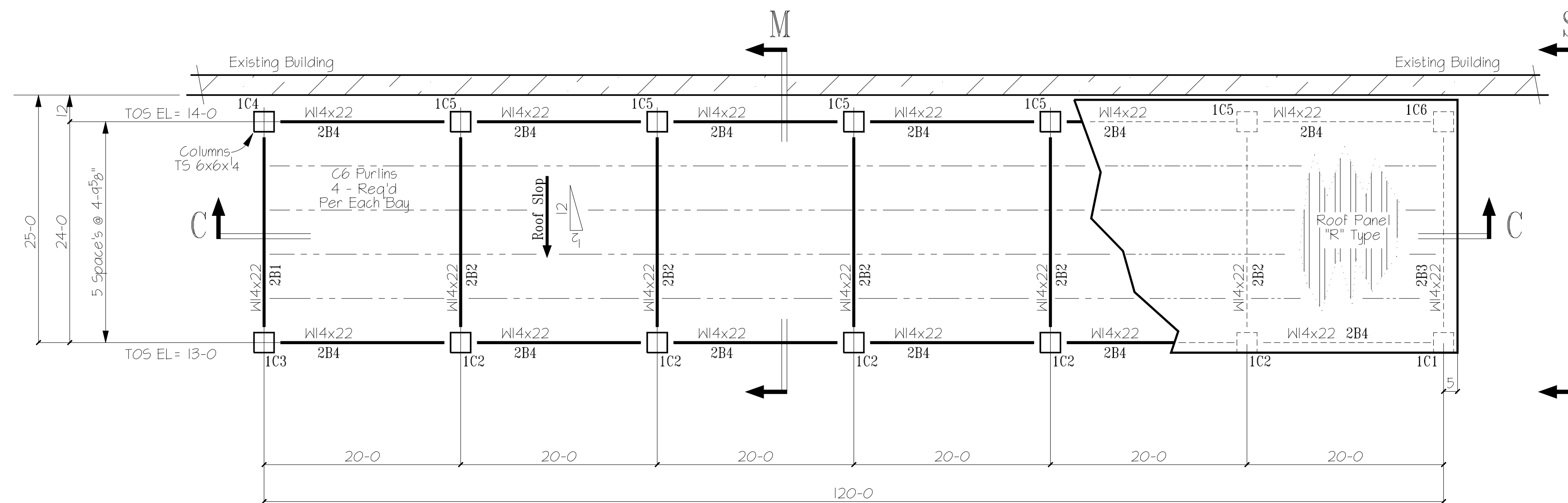
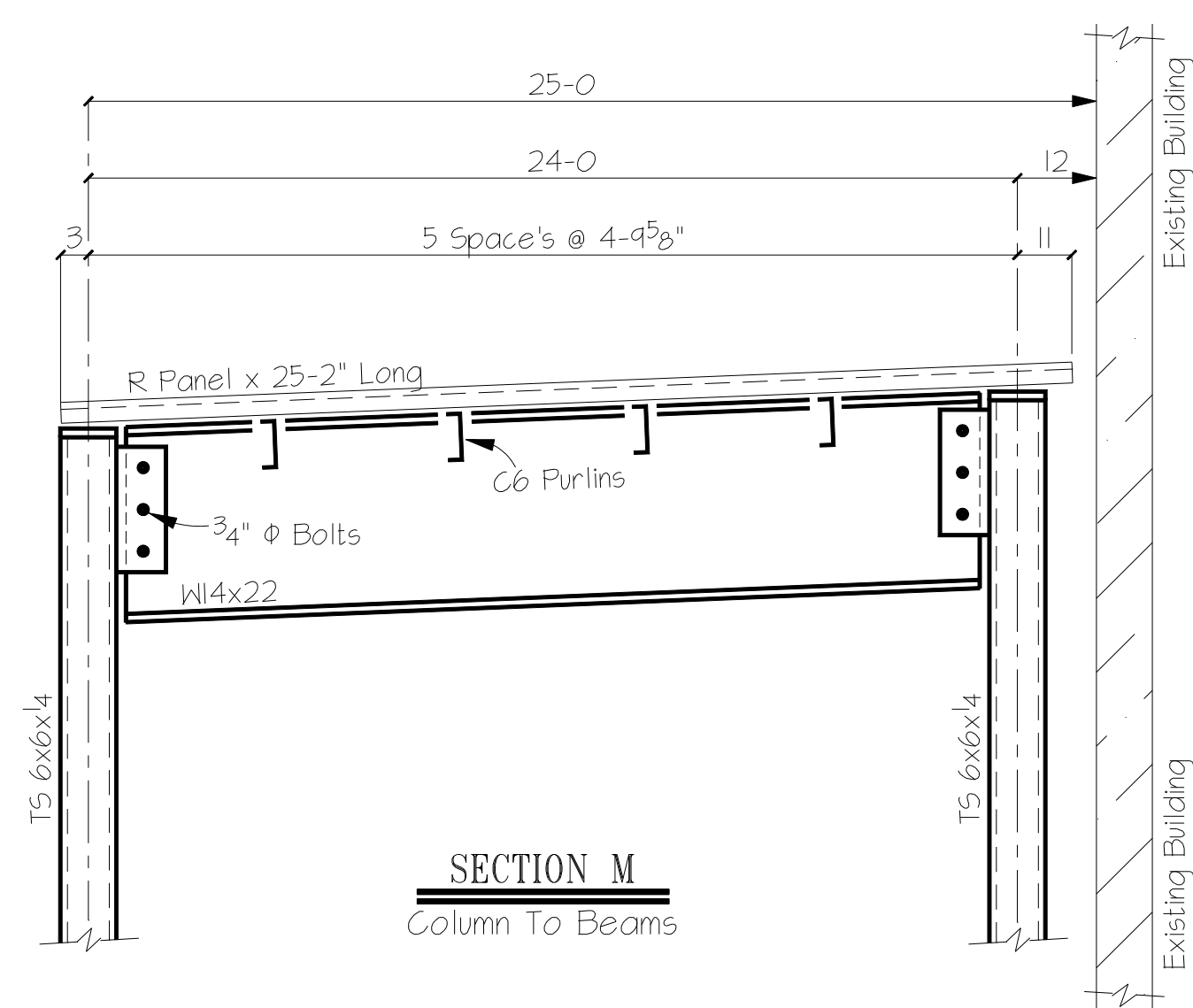


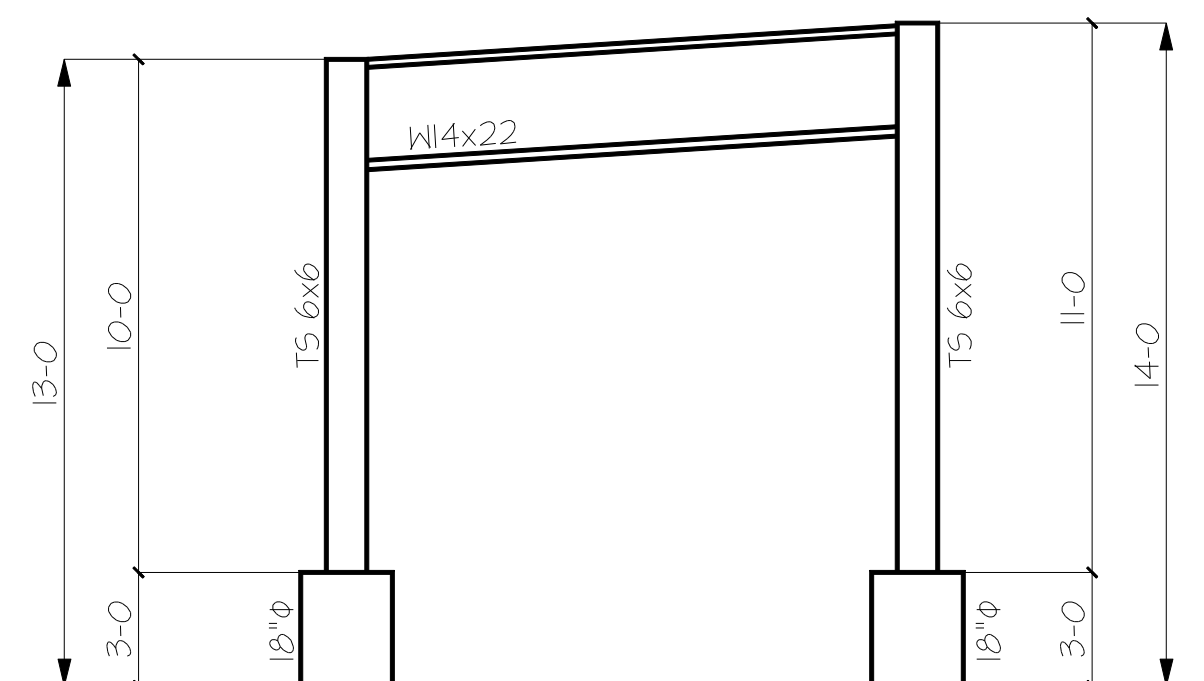
Floor Plan



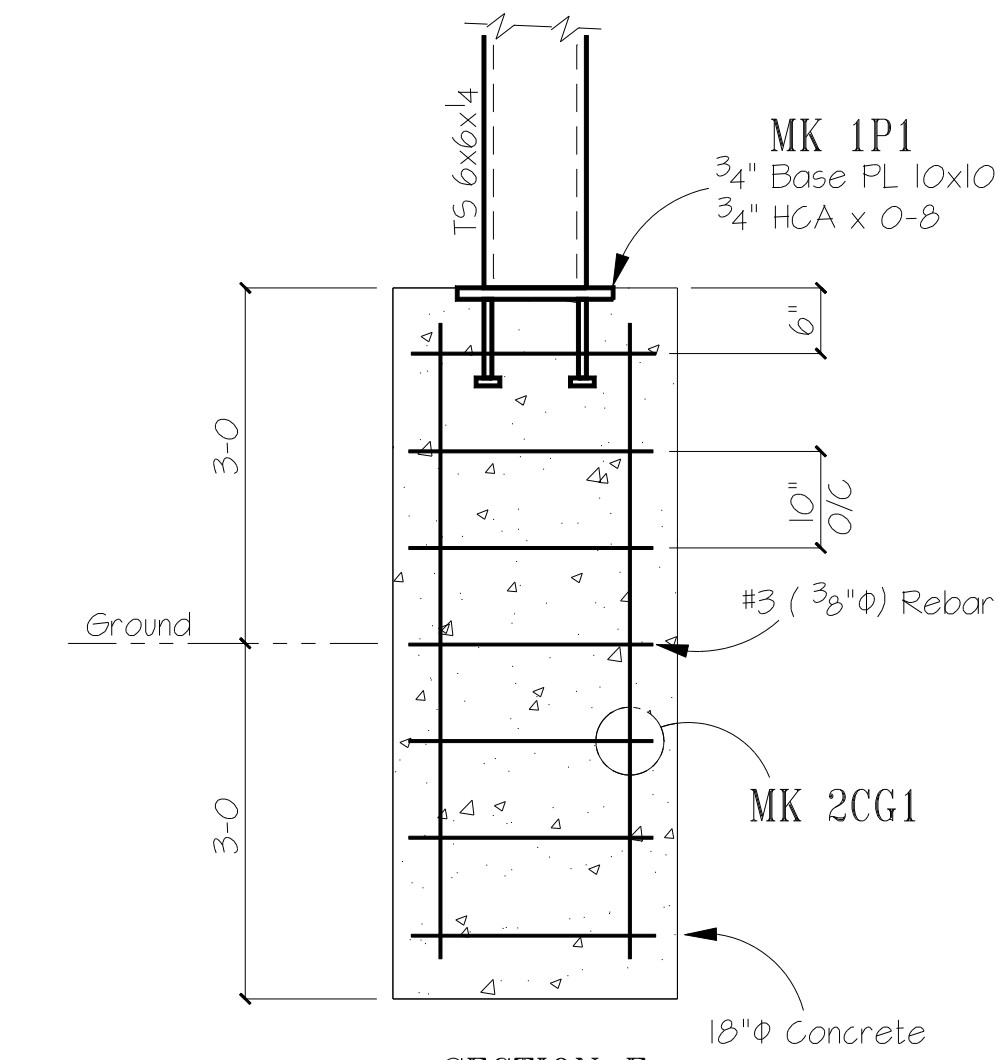
Roof Plan



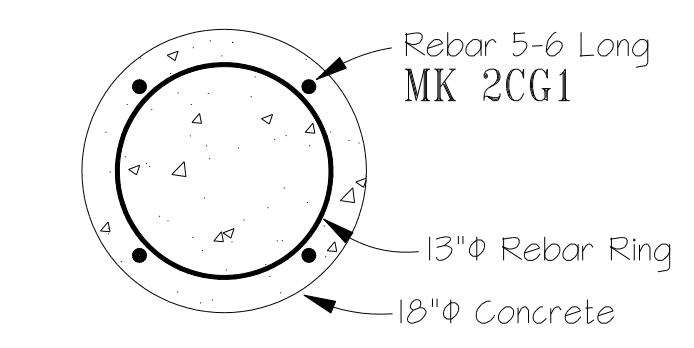
SECTION M
Column To Beams



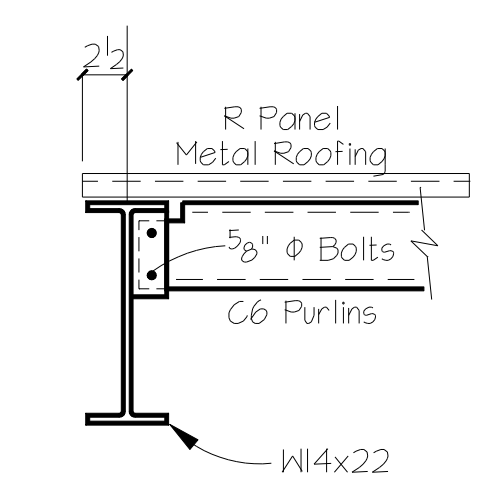
SECTION S



SECTION F



SECTION C

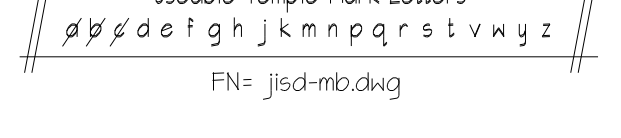
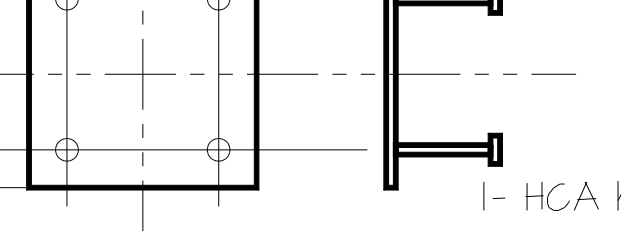
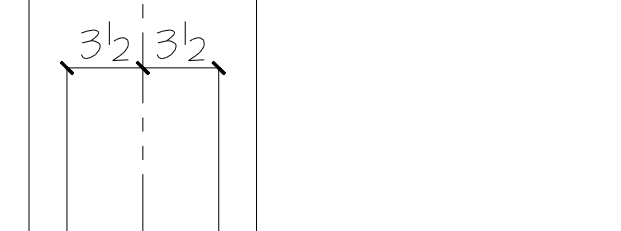
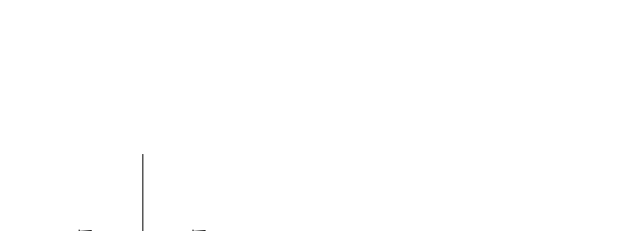
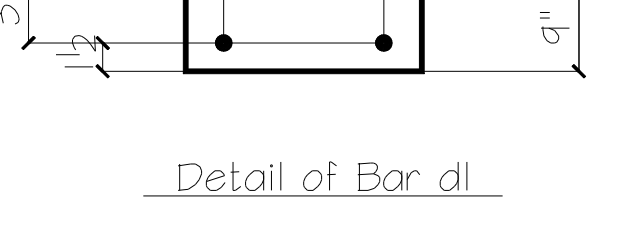
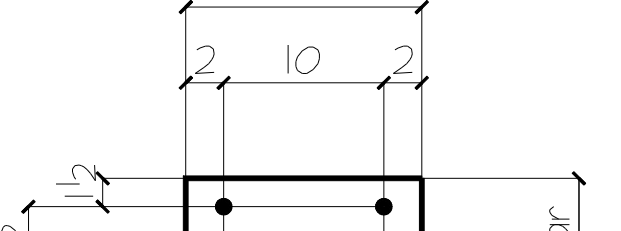
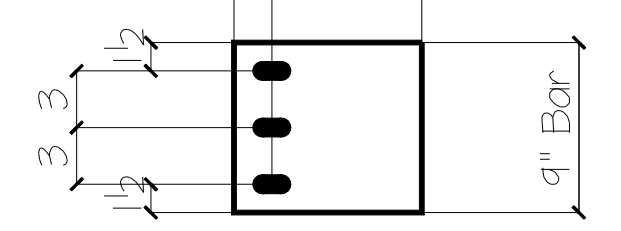
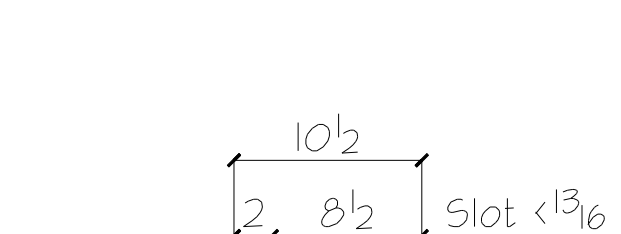
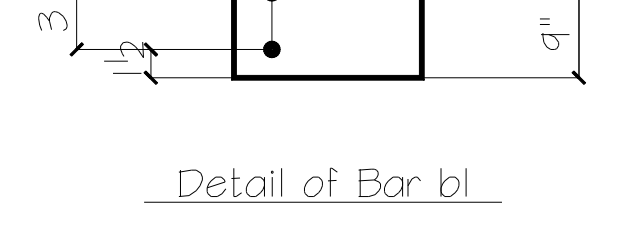
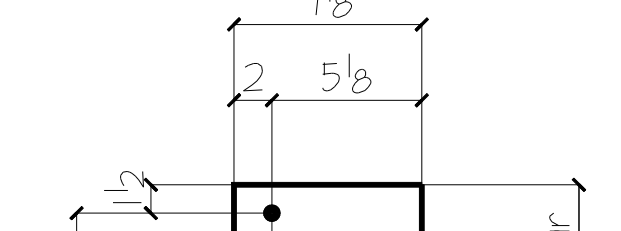
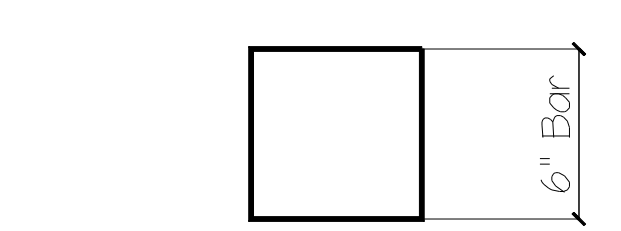
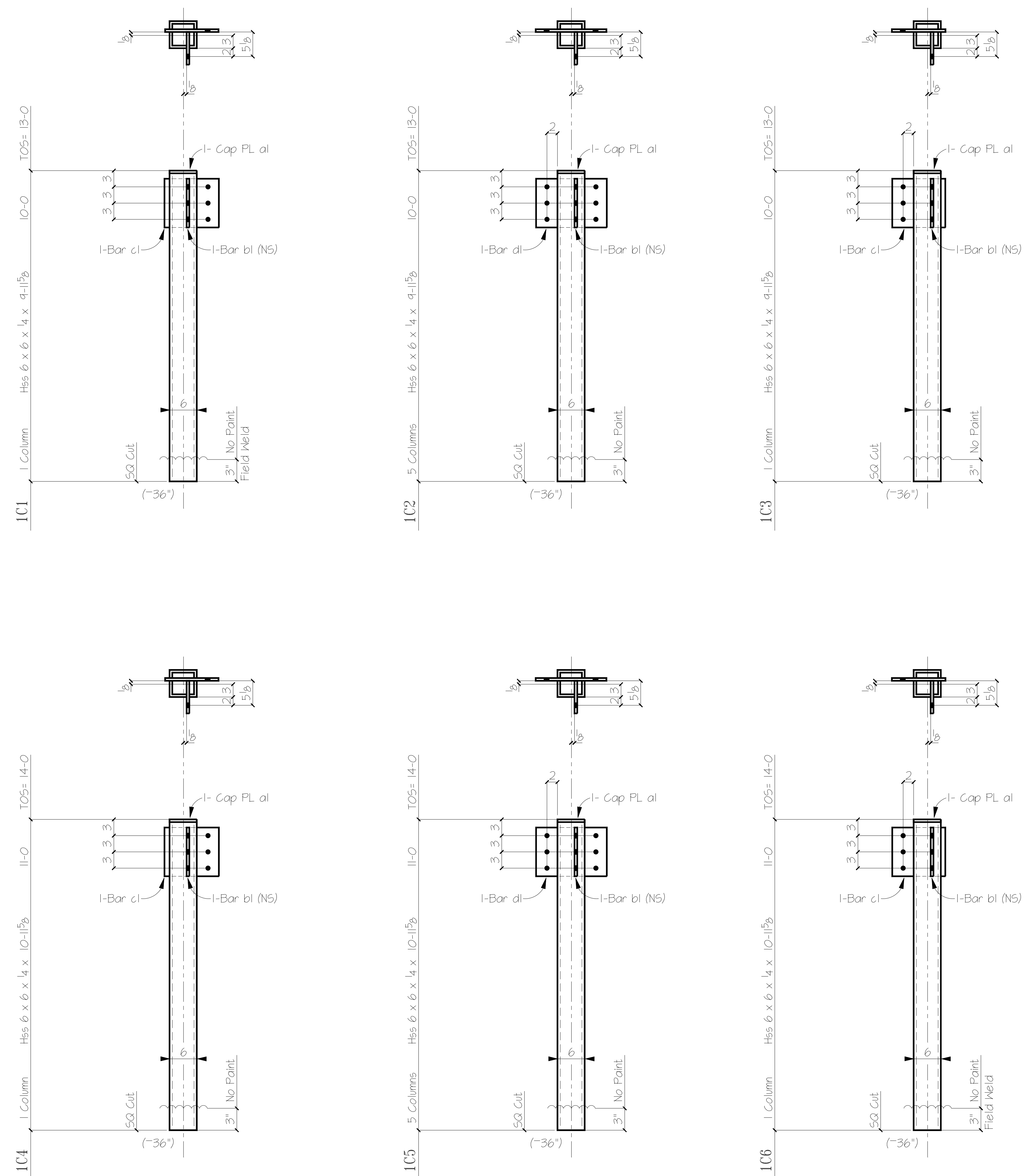


SECTION C

MATERIAL GRADE SHELL BE <u>A36</u> U.N.O.	UNC Steel	
WF SHAPES <u>A992</u> TUBES <u>A500</u>	DETAILS OF <u>Framing Plan</u>	
CHANNELS <u>A992</u> PIPES <u>A501 or A53</u>	CUSTOMER <u>Judson South West</u>	
COATING <u>One S/C Red Oxide Primer</u>	ARCHITECT _____	
<u>13/16"φ</u> OPEN HOLE	<u>3/16"</u> FILLETS	<u>E700XX</u> ELECTRODES
PROJECT <u>New Entrance Canopy</u>		LOCATION <u>Maintenance Building</u>
APPROVAL <u>11-12-09</u> TO SHOP _____	DETAIL <u>DR</u> <u>11-16-09</u>	JOB # <u>JISD-01</u>
CHK.R <u>tsd</u> <u>11-16-09</u>	SHEET # <u>E1</u>	

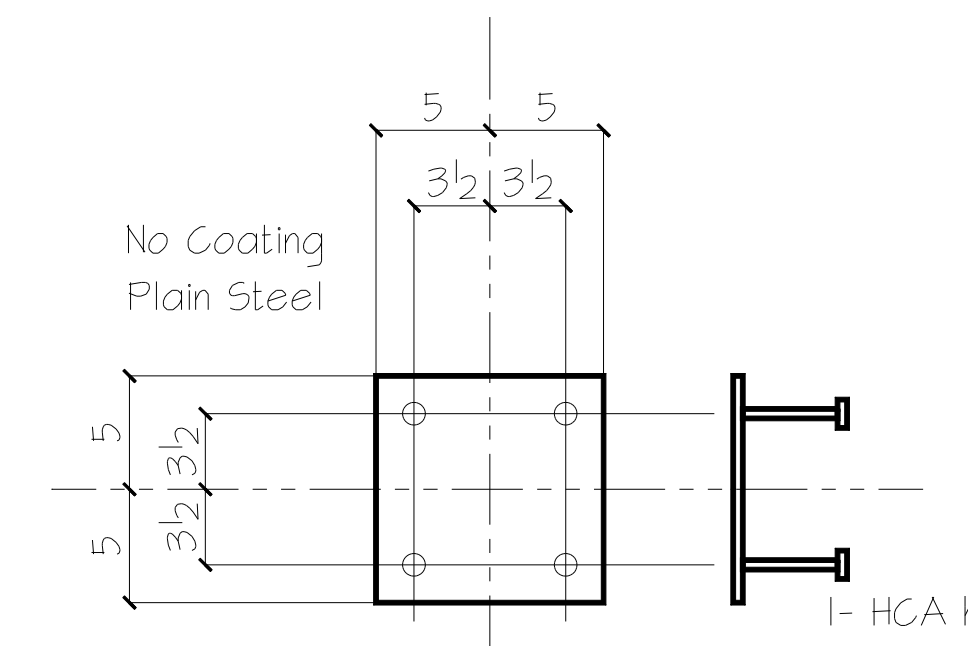
FN= jisd-mb.dwg

- BILL OF MATERIAL -



MARK	QTY	DESCRIPTION	LENGTH	REMARKS
1C1	1	Hss 6 x 6 x 1/4	9-11 5/8	SQ-Cut
al	1	Bar 3/8 x 6	0-6	
bl	1	Bar 3/8 x 9	0-7 1/8	
cl	1	Bar 3/8 x 9	0-10 1/2	
1C2	5	Hss 6 x 6 x 1/4	9-11 5/8	SQ-Cut
al	5	Bar 3/8 x 6	0-6	
bl	5	Bar 3/8 x 9	0-7 1/8	
dl	5	Bar 3/8 x 9	1-2	
1C3	1	Hss 6 x 6 x 1/4	9-11 5/8	SQ-Cut
al	1	Bar 3/8 x 6	0-6	
bl	1	Bar 3/8 x 9	0-7 1/8	
cl	1	Bar 3/8 x 9	0-10 1/2	
1C4	1	Hss 6 x 6 x 1/4	10-11 5/8	SQ-Cut
al	1	Bar 3/8 x 6	0-6	
bl	1	Bar 3/8 x 9	0-7 1/8	
cl	1	Bar 3/8 x 9	0-10 1/2	
1C5	5	Hss 6 x 6 x 1/4	10-11 5/8	SQ-Cut
al	5	Bar 3/8 x 6	0-6	
bl	5	Bar 3/8 x 9	0-7 1/8	
dl	5	Bar 3/8 x 9	1-2	
1C6	1	Hss 6 x 6 x 1/4	10-11 5/8	SQ-Cut
al	1	Bar 3/8 x 6	0-6	
bl	1	Bar 3/8 x 9	0-7 1/8	
cl	1	Bar 3/8 x 9	0-10 1/2	
1P1	14	Bar 3/4 x 10	0-10	
hl	56	HCA 3/4 φ	0-8	

14 Base PL's MK 1P1
PL 3/4 x 10 x 10



MATERIAL GRADE	SHELL BE	A36	U.N.O.
WF SHAPES	A992	TUBES	A500
CHANNELS	A992	PIPES	A501 or A53
COATING	One S/C Red Oxide Primer		
	13/16" φ	3/16"	E700XX
	OPEN HOLE	FILLETS	ELECTRODES
APPROVAL	11-12-09	TO SHOP	11-16-09

UNC Steel			
DETAILS OF Columns			
CUSTOMER Judson South West			
ARCHITECT			
PROJECT New Entrance Canopy			
LOCATION Maintenance Building			
DETAIL	DY	11-16-09	JOB #
CHK.R	tsd	11-16-09	JISD-01
			SHEET #
			1

Useable Template Mark Letters
p q r s t u v w x y z
FN= jsd-mb.dwg

