

**Framing Plan**  
Top of Steel Elev = 110'-2"

**Plans For Approval  
& Not Construction**

Usable Template Mark Letters  
a b c d e f g h j k m n p q r s t v w x y z  
Texas Steel Detailers FN: Hospice-01.dwg

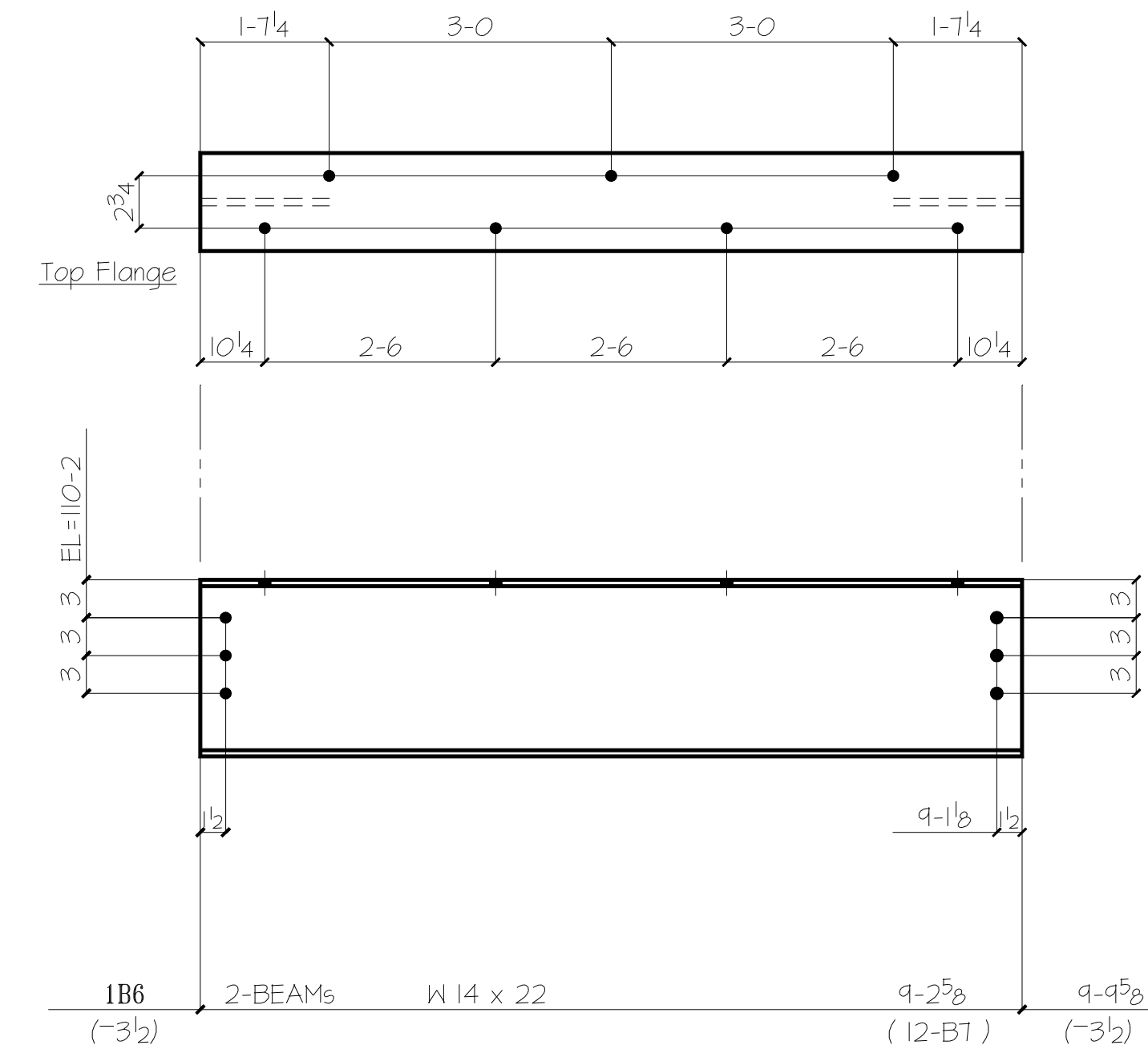
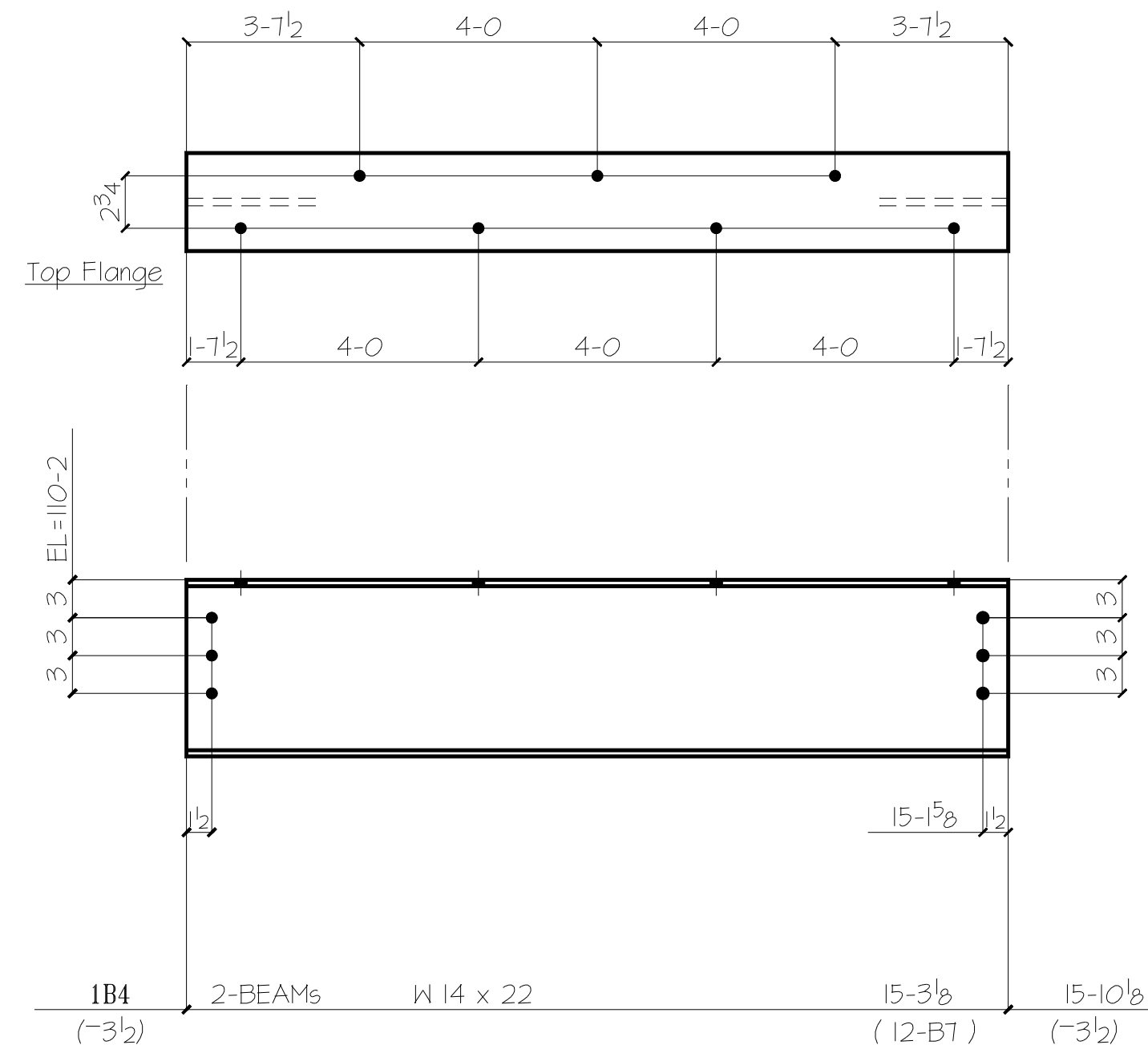
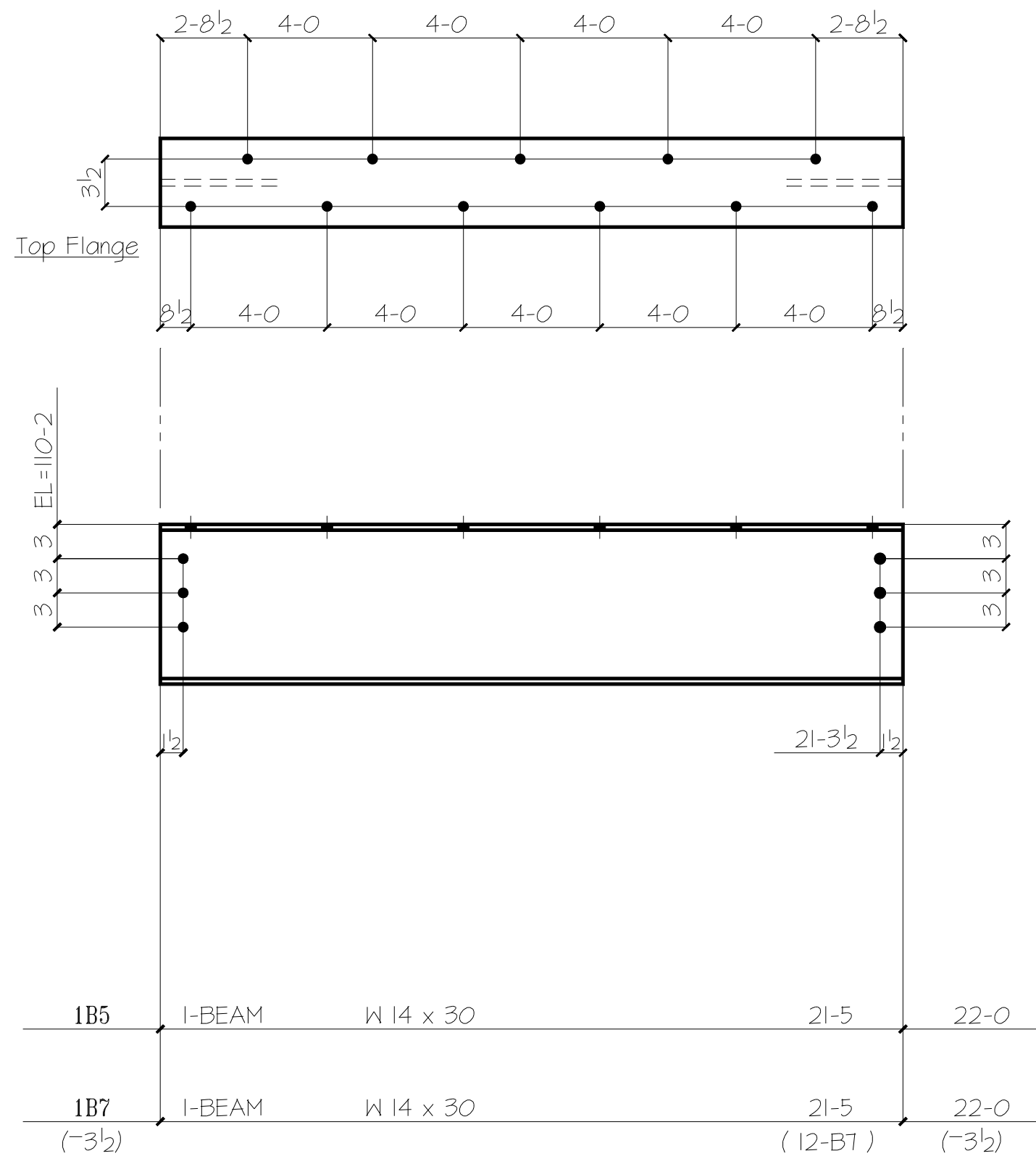
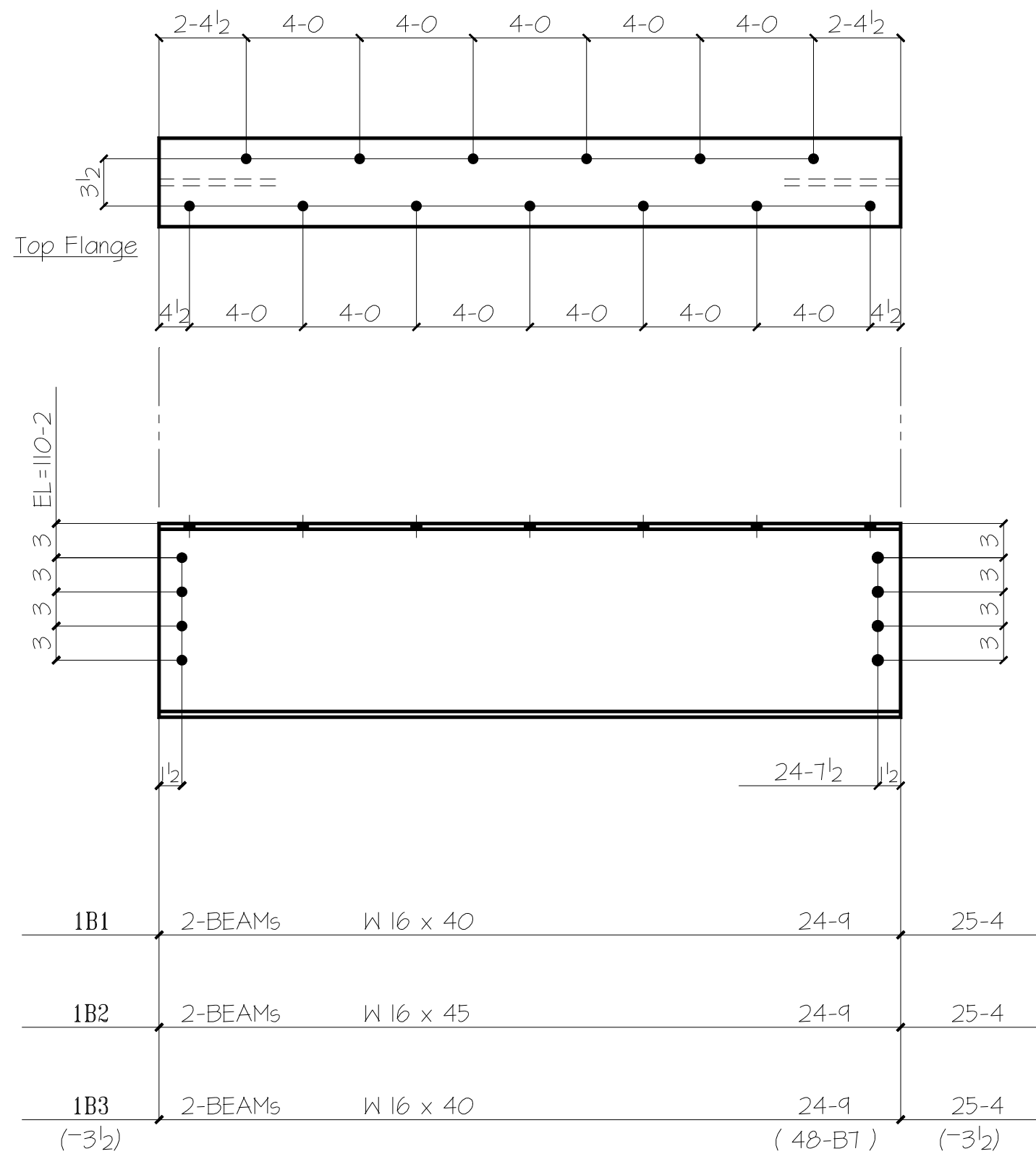
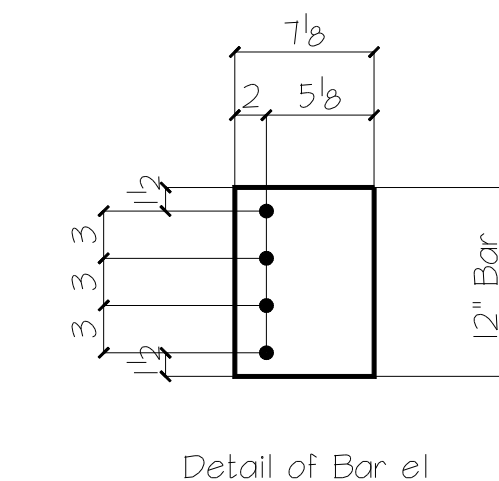
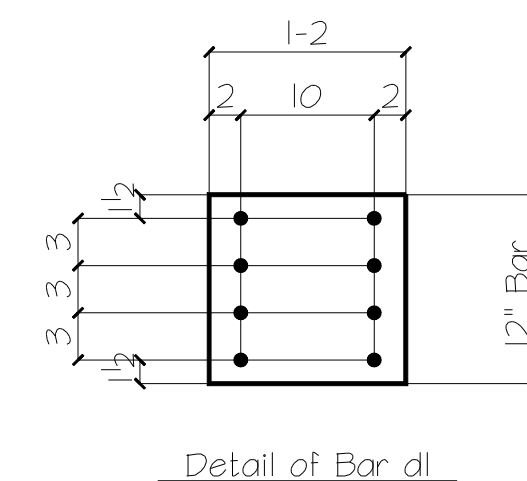
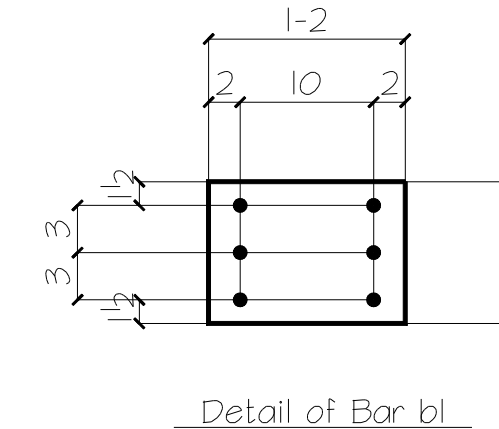
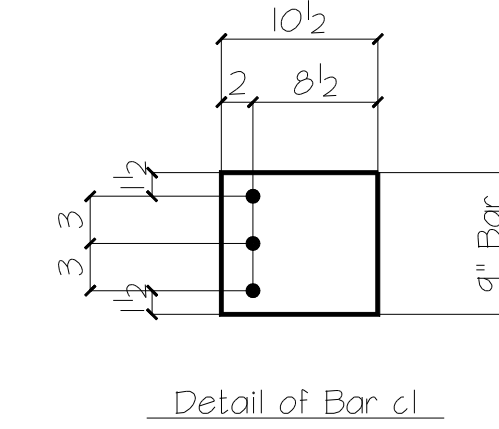
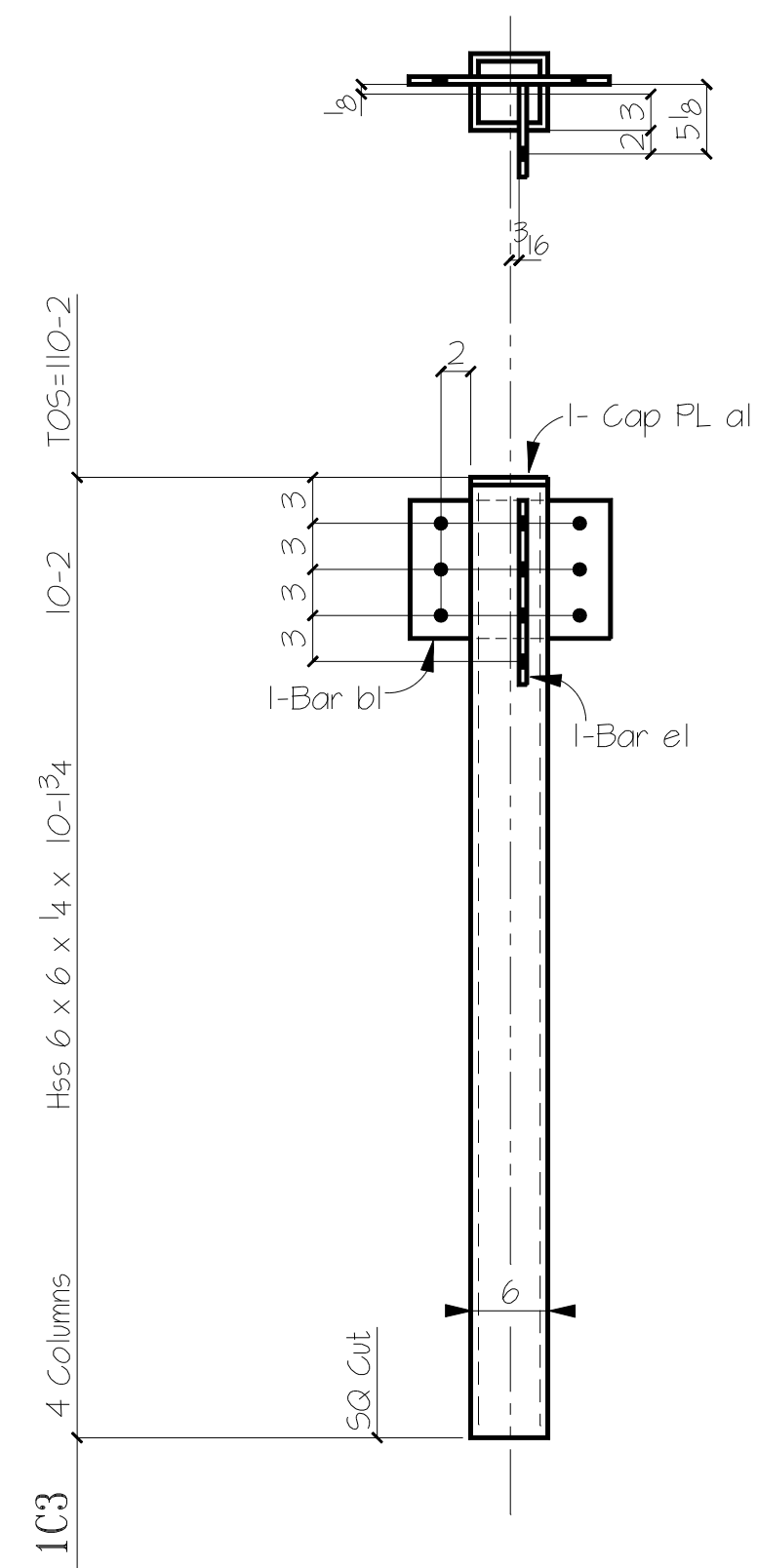
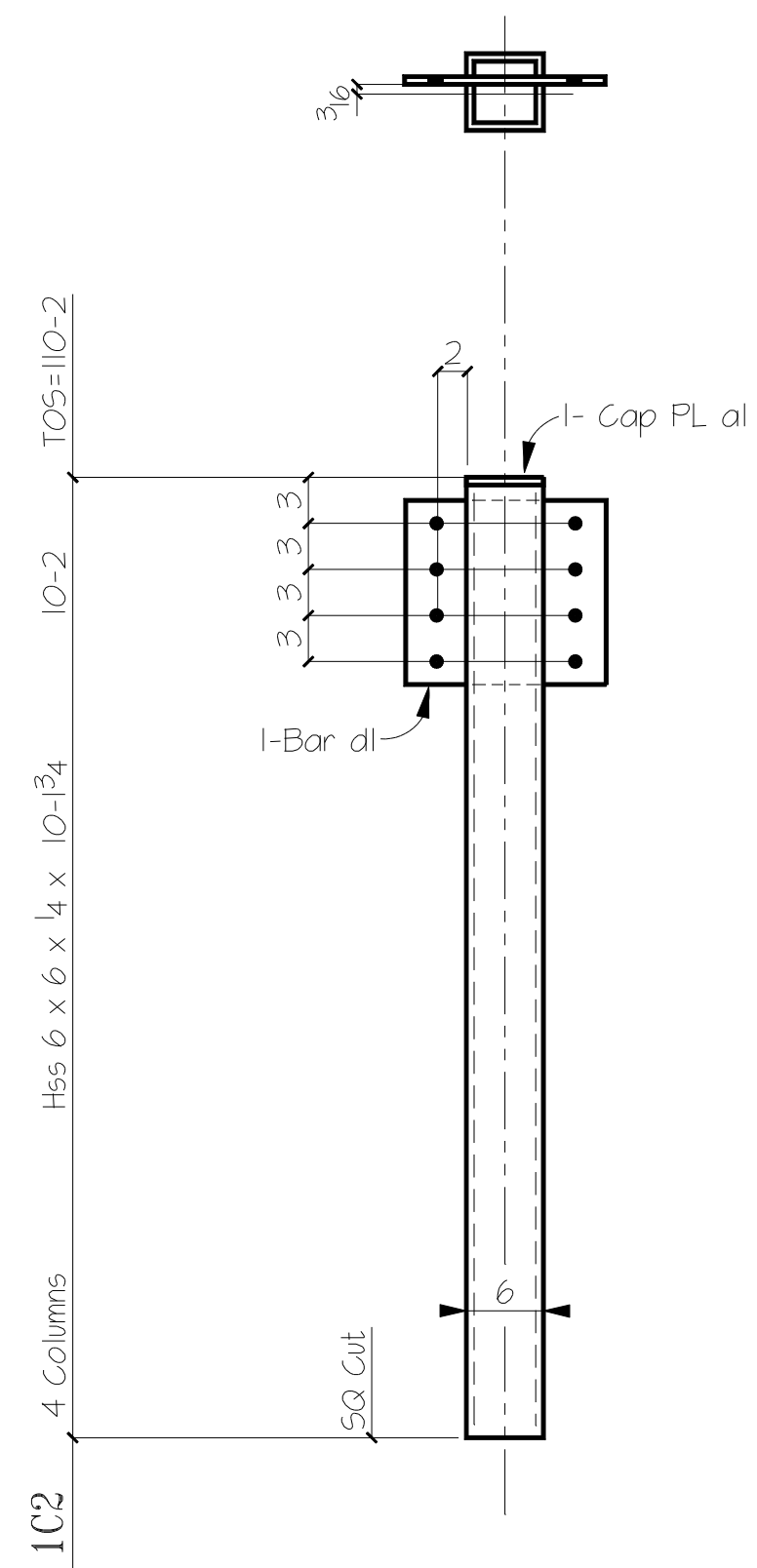
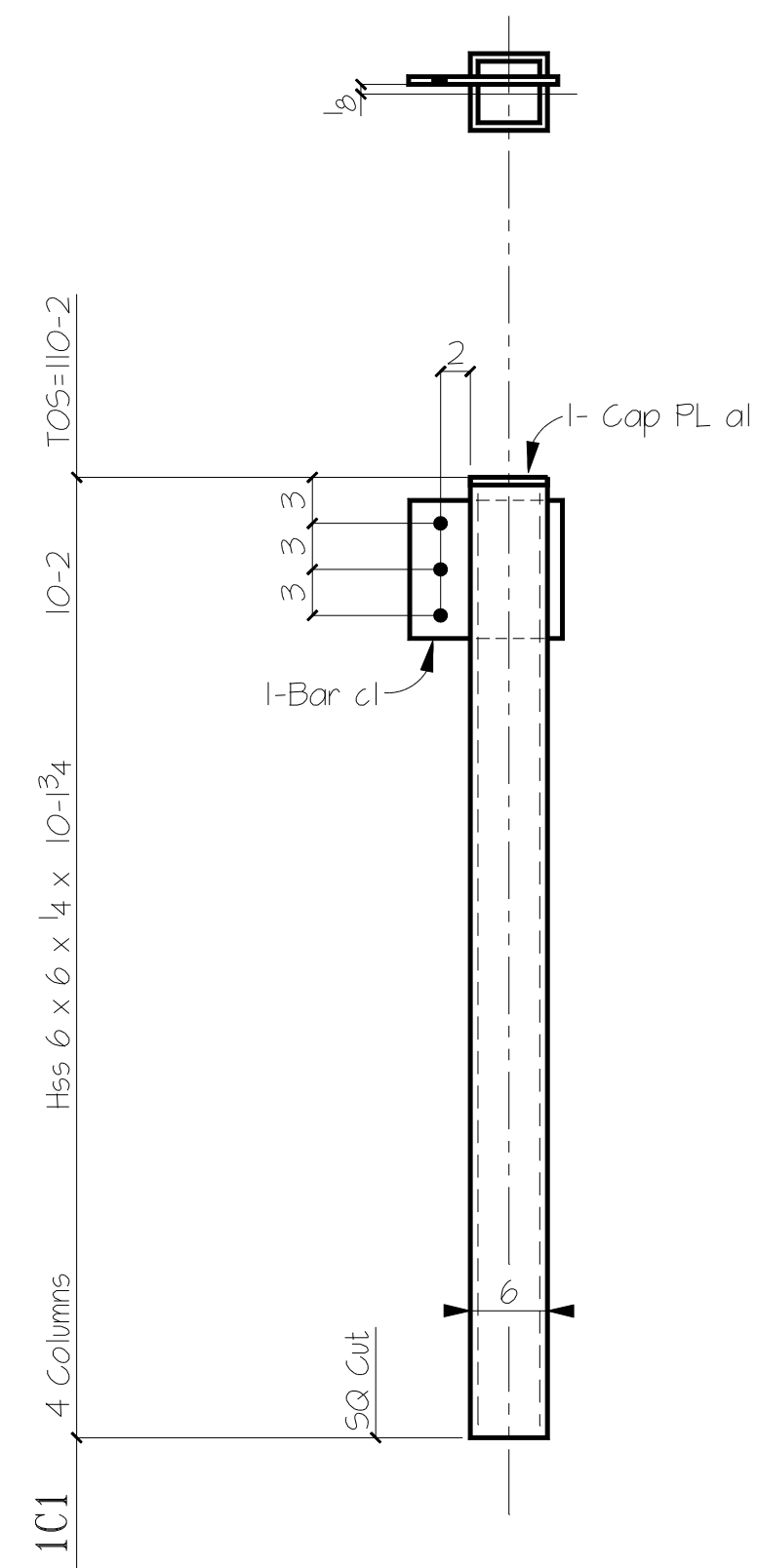
- DESCRIPTION OF REVISIONS MADE TO DRAWING -				
1				
2				
3				
REVISION DESCRIPTION	DATE	MADE BY	CHK BY	SHOPED
REF DWG S11, S31				

MATERIAL GRADE SHELL BE	A36	U.N.O.
WF SHAPES	A992	TUBES A500 Gr B
CHANNELS	A992	PIPES A501 or A53
COATING	One S/C Red Oxide Primer	
13/16" Ø	1/4"	E700XX
OPEN HOLE	FILLET	ELECTRODES
APPROVAL	?	TO SHOP

<b>Justin Steel</b>		
DETAILS OF Framing Plan		
CUSTOMER		
ARCHITECT		
PROJECT Home Care Services		
LOCATION		
DETAIL Dg	B-19-09	JOB #
CHK.R	tsd B-24-09	HH 1144
		SHEET #
		E2

- BILL OF MATERIAL -

MARK	QTY	DESCRIPTION	LENGTH	REMARKS
1C1	4	Hss 6 x 6 x 1/4	10'-1 3/4	
al	4	Bar 1/4 x 6	0-6	
cl	4	Bar 3/8 x 9	0-10 1/2	
1C2	4	Hss 6 x 6 x 1/4	10'-1 3/4	
al	4	Bar 1/4 x 6	0-6	
dl	4	Bar 3/8 x 12	1-2	
1C3	4	Hss 6 x 6 x 1/4	10'-1 3/4	
al	4	Bar 1/4 x 6	0-6	
bl	4	Bar 3/8 x 9	1-2	
el	4	Bar 3/8 x 12	0-7 1/8	
<b>Field Bolts</b>				
B7	84	3/4"φ A325	0-1 3/4	
	84	3/4"φ Washers		
	84	3/4"φ Nuts		



**Plans For Approval  
& Not Construction**

Isobold Template Mark Letters  
abcdefghijklmnopqrstuvwxyz  
Texas Steel Detailers FN: Hospice-01.dwg

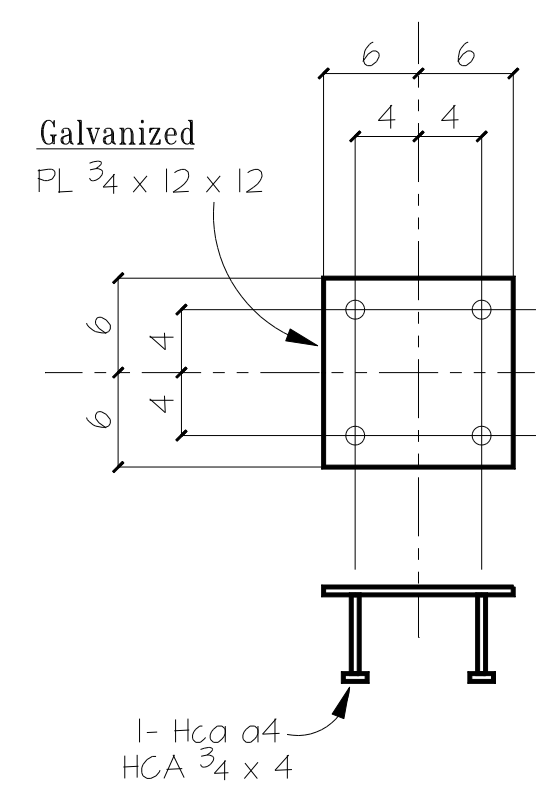
- DESCRIPTION OF REVISIONS MADE TO DRAWING -			
1			
2			
3			
REVISION DESCRIPTION	DATE	MADE BY	CHK BY
REF DWG S11, S31			

MATERIAL GRADE SHELL BE	A36	U.N.O.
WF SHAPES	A992	TUBES A500 Gr B
CHANNELS	A992	PIPES A501 or A53
COATING	One S/C Red Oxide Primer	
13/16"φ	1/4"	E700XX
OPEN HOLE	FILLET	ELECTRODES
APPROVAL	?	TO SHOP 8-24-09

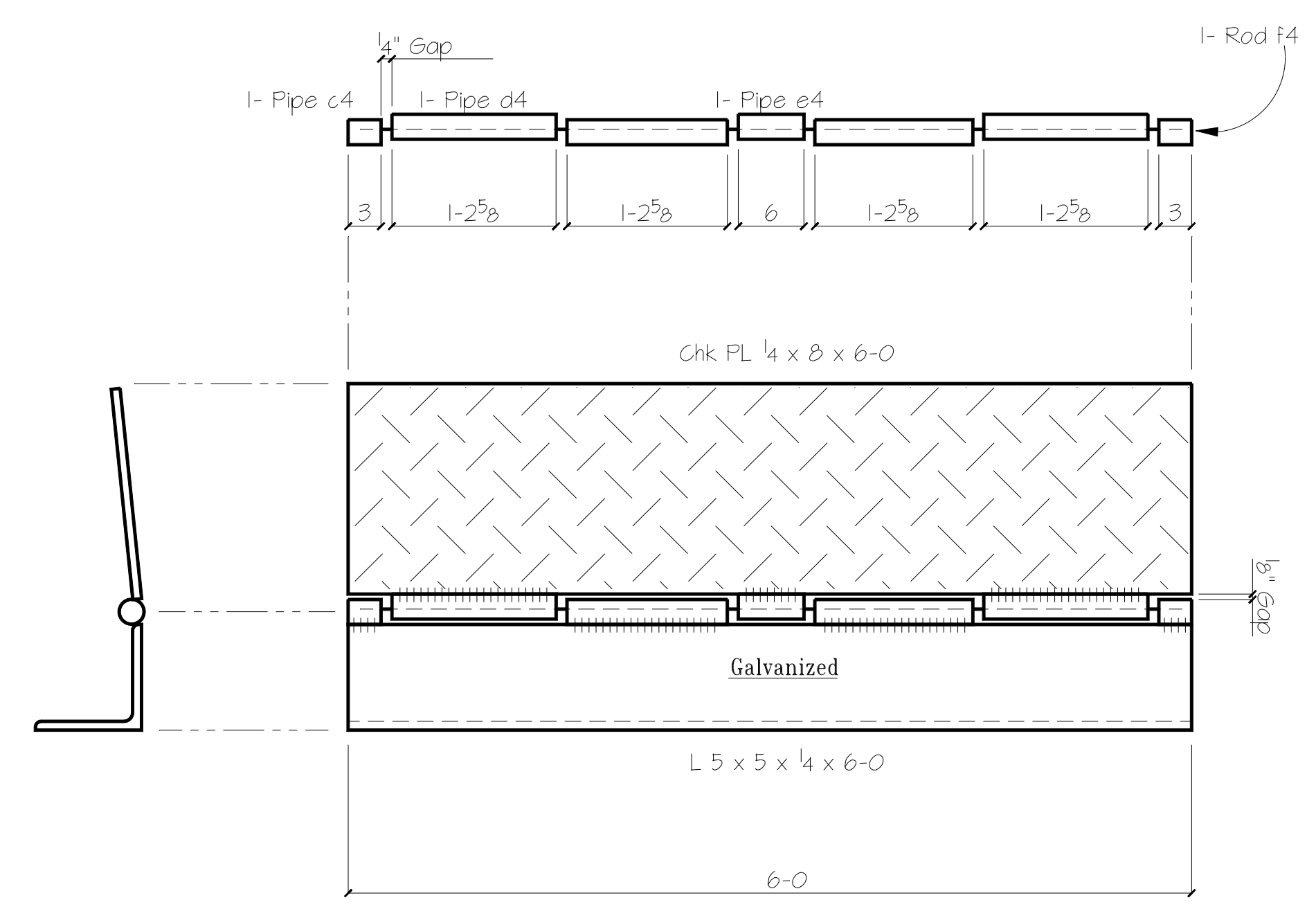
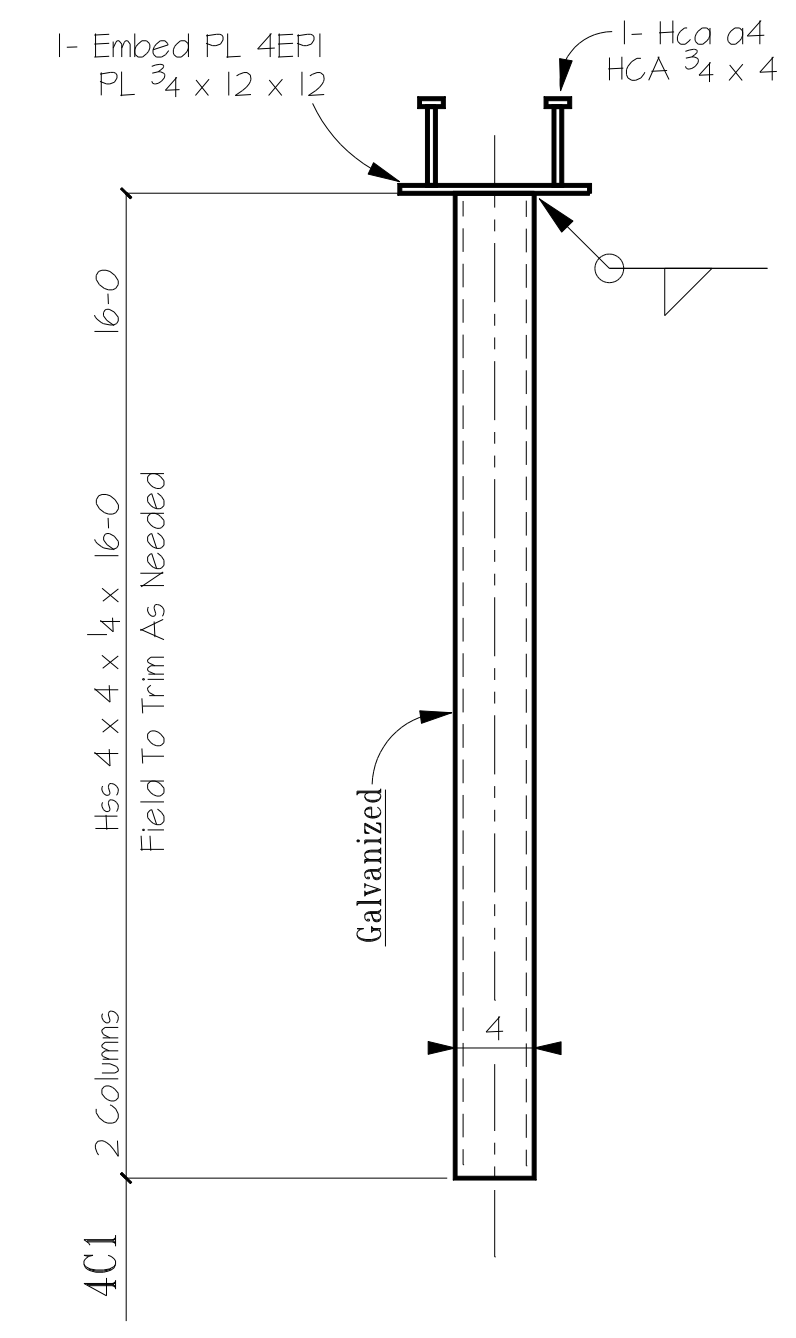
<b>Justin Steel</b>		
DETAILS OF Columns & Beams		
CUSTOMER _____		
ARCHITECT _____		
PROJECT Home Care Services		
LOCATION _____		
DETAIL Dg	8-19-09	JOB #
CHK.R	tsd	HH 1144
		SHEET #
		D1

- BILL OF MATERIAL -

MARK	QTY	DESCRIPTION	LENGTH	REMARKS
4EP1	16	Bar 3/4" x 12	1-0	Galvanized
a4	64	3/4" Φ HCA	0-4	
4C1	2	Hss 4 x 4 x 1/4	16-0	Galvanized
4EPI	2	Bar 3/4" x 12	1-0	Galvanized
a4	64	3/4" Φ HCA	0-4	Galvanized
4BP1	1	Chk PL 1/4 x 8	6-0	Galvanized
b4	1	L 5 x 5 x 1/4	6-0	Galvanized
c4	2	3/8" Std Pipe	0-3	Galvanized
d4	4	3/8" Std Pipe	1-2 5/8	Galvanized
e4	1	3/8" Std Pipe	0-6	Galvanized
f4	1	1/16" Φ Rod	6-0	Galvanized
Window & Door Lintels				
4L1	1	L 6 x 3 1/2 x 1/2	11-3	Galvanized
4L4	2	L 6 x 3 1/2 x 1/2	8-4	Galvanized
4L3	6	L 6 x 3 1/2 x 1/2	6-4	Galvanized
4L4	1	L 6 x 3 1/2 x 1/2	3-4	Galvanized
4L5	1	L 6 x 3 1/2 x 1/2	7-8	Galvanized
4L6	1	L 6 x 3 1/2 x 1/2	4-8	Galvanized



**16 Embeds MK: 4EP1**  
 12 Req'd For Columns  
 2 Req'd Bridge Support "Embed"  
 2 Req'd Bridge Support "Welded"



**1 Bridge Plate MK: 4BP1**  
 Ref Section 1/A62

Galvanized

			(E) = Window #	(115) = Door #	
4L1	1- Lintel	L 6 x 3 1/2 x 1/2	(A)	11-3	9-11
4L4	2- Lintel	L 6 x 3 1/2 x 1/2	(C)	8-4	7-0
4L3	6- Lintel	L 6 x 3 1/2 x 1/2	(D)	6-4	5-0
4L4	1- Lintel	L 6 x 3 1/2 x 1/2	(E)	3-4	2-0
4L5	1- Lintel	L 6 x 3 1/2 x 1/2	(201-3)	7-8	6-4
4L6	1- Lintel	L 6 x 3 1/2 x 1/2	(115)	4-8	3-4
(+B)	Ref A5.1, A3.1, 3.2 & A91				(+B)

**Plans For Approval & Not Construction**

Useable Template Mark Letters  
 a b c d e f g h j k m n p q r s t v w x z  
 Texas Steel Detailers FN- Hospice-01.dwg

- DESCRIPTION OF REVISIONS MADE TO DRAWING -

REVISION	REVISION DESCRIPTION	DATE	MADE BY	CHK BY	SHOPED
1					
2					
3					

REF DWG S11, S31

MATERIAL GRADE SHELL BE	A36	U.N.O.
WF SHAPES	A992	TUBES A500 Gr B
CHANNELS	A992	PIPES A501 or A53
COATING	Hot Dip Galvanized	
13/16" Ø	1/4"	E700XX
OPEN HOLE	FILLET'S	ELECTRODES
APPROVAL	?	TO SHOP

**Justin Steel**

DETAILS OF Miscellaneous Steel

CUSTOMER \_\_\_\_\_

ARCHITECT \_\_\_\_\_

PROJECT Home Care Services

LOCATION \_\_\_\_\_

DETAIL Dg	B-19-09	JOB #	
CHK.R	tsd	B-24-09	HH 1144
			SHEET # D4