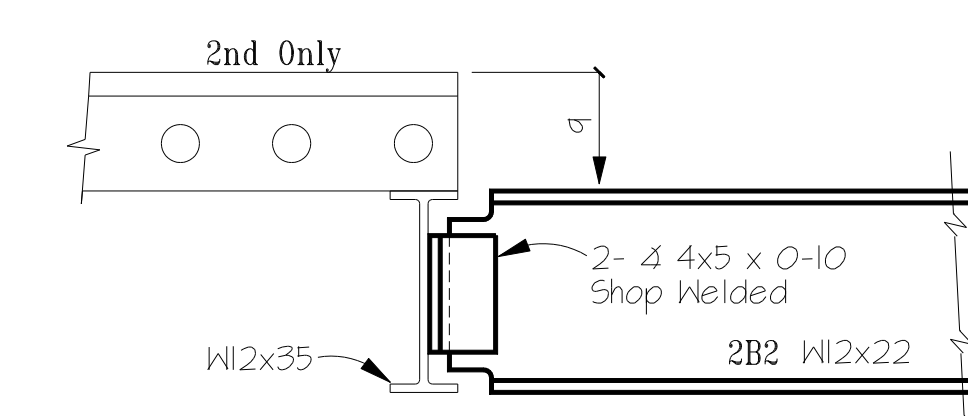
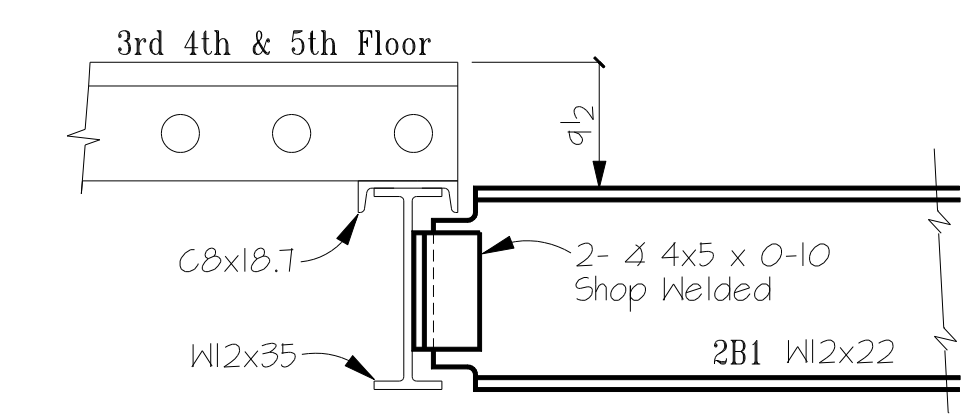
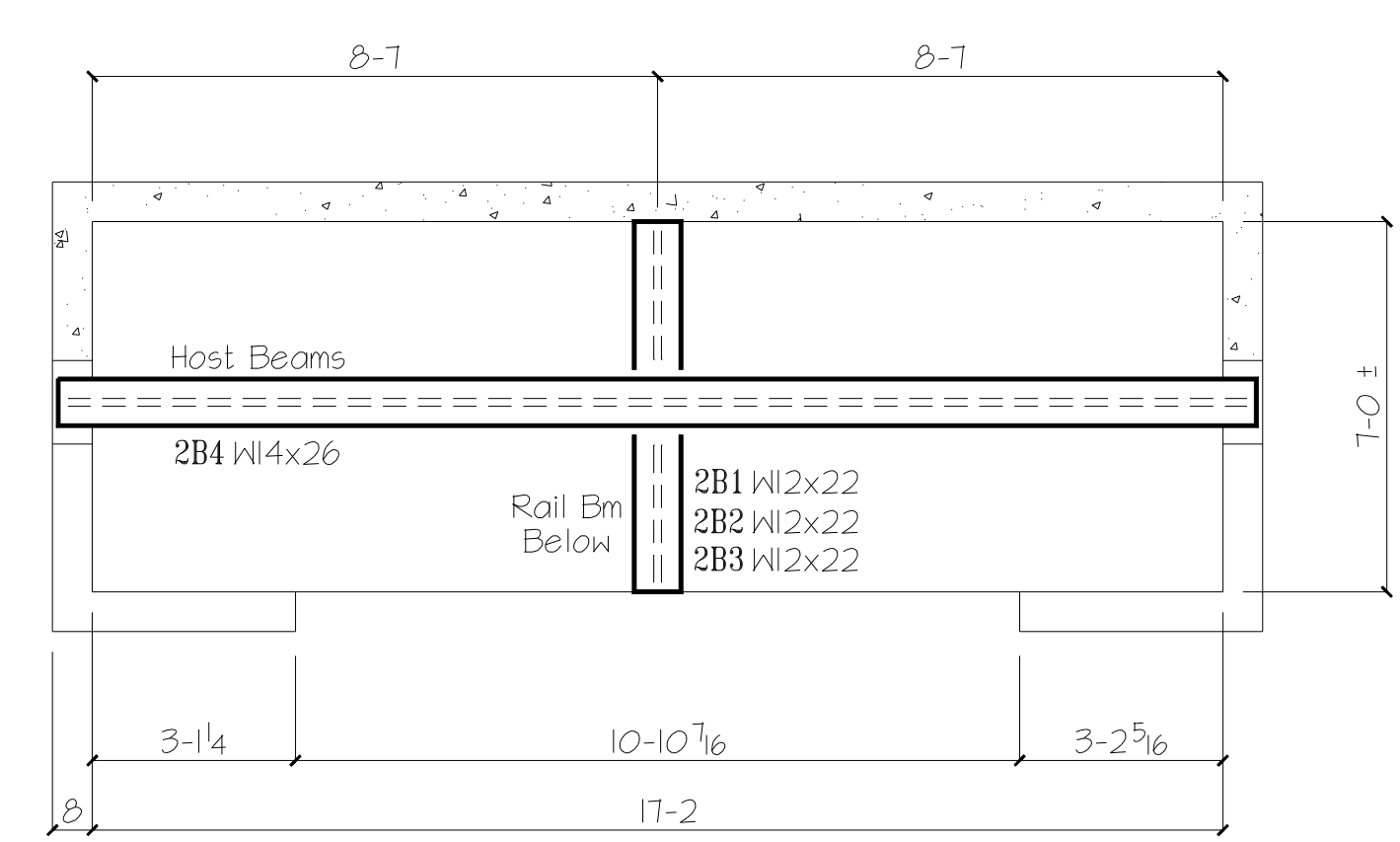
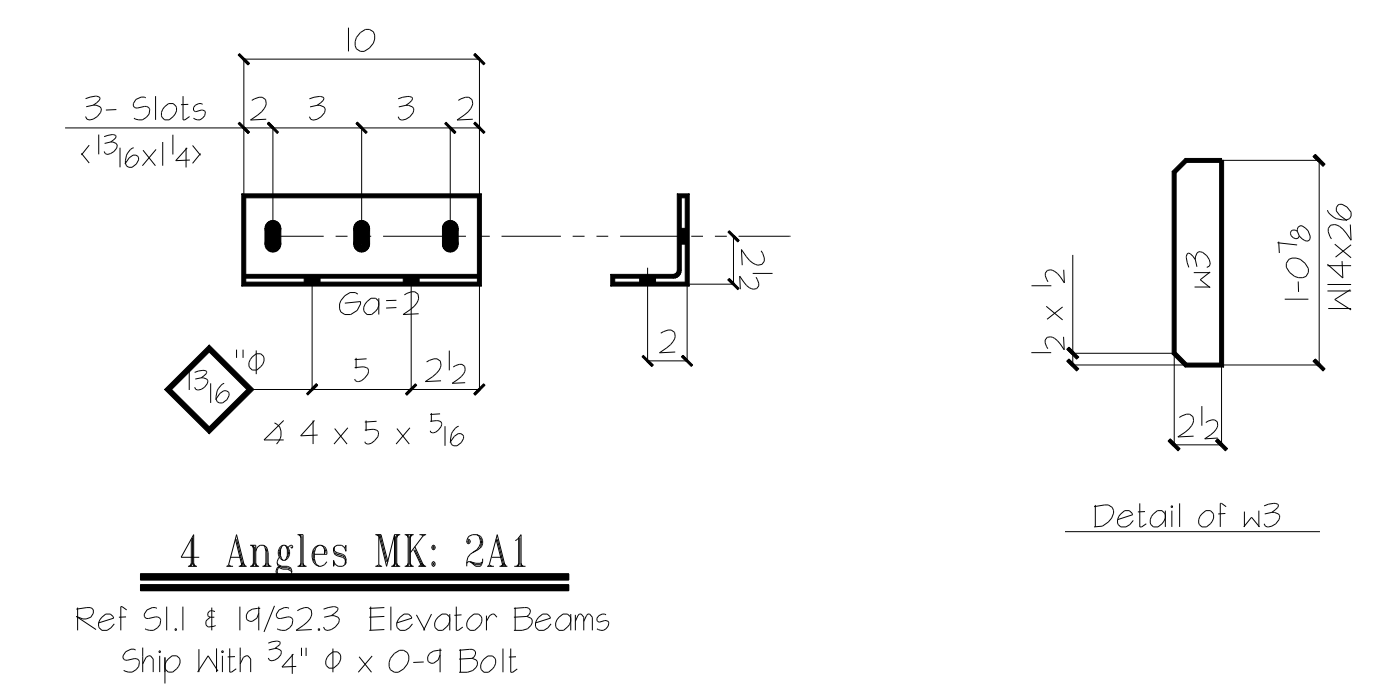
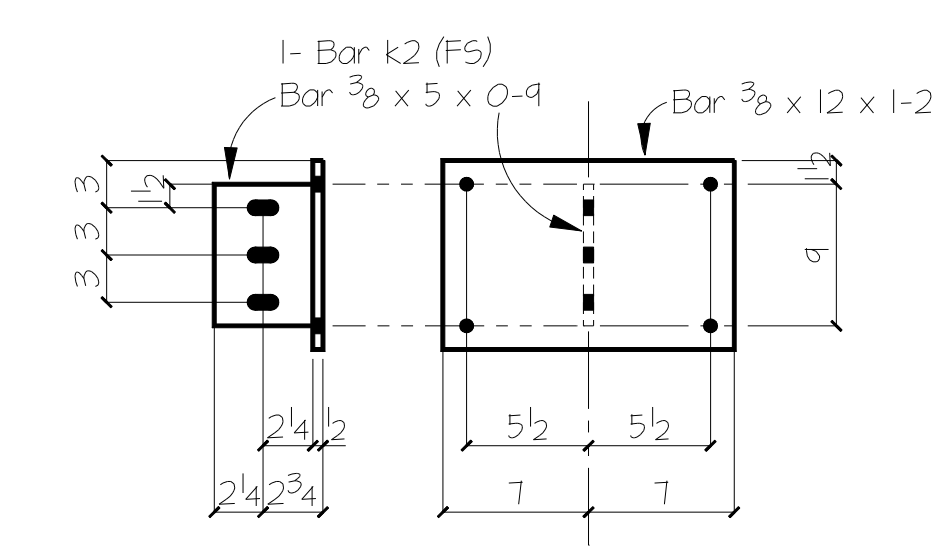
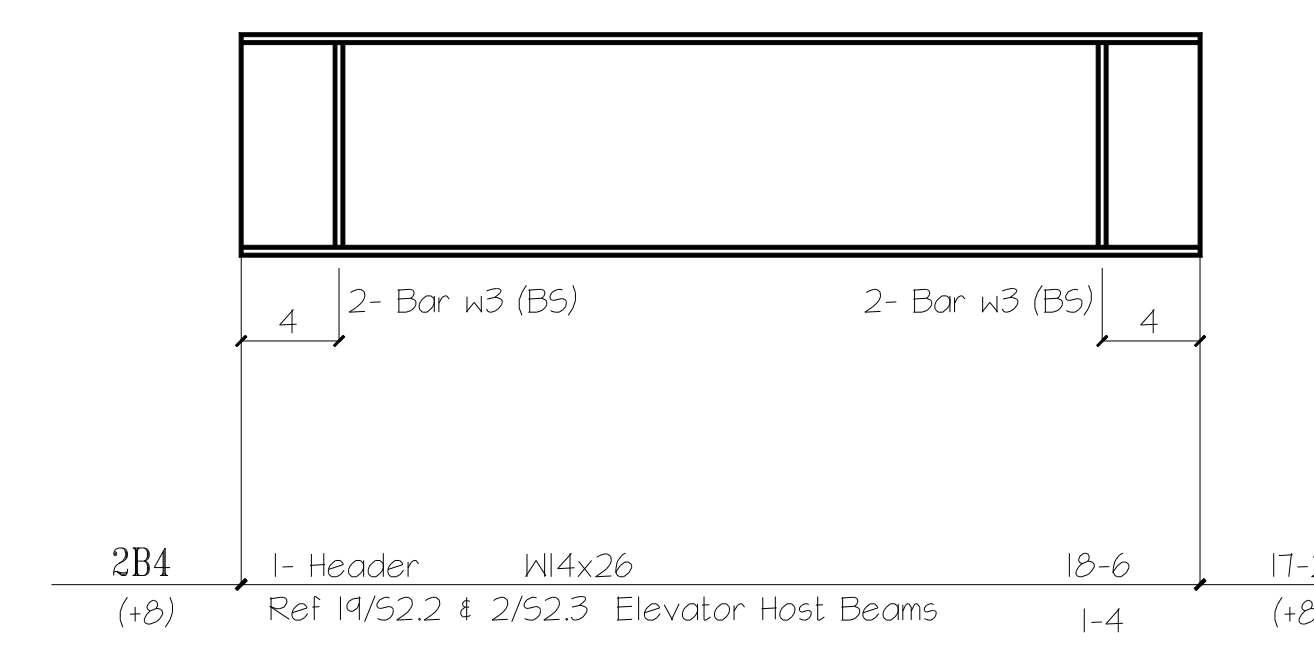
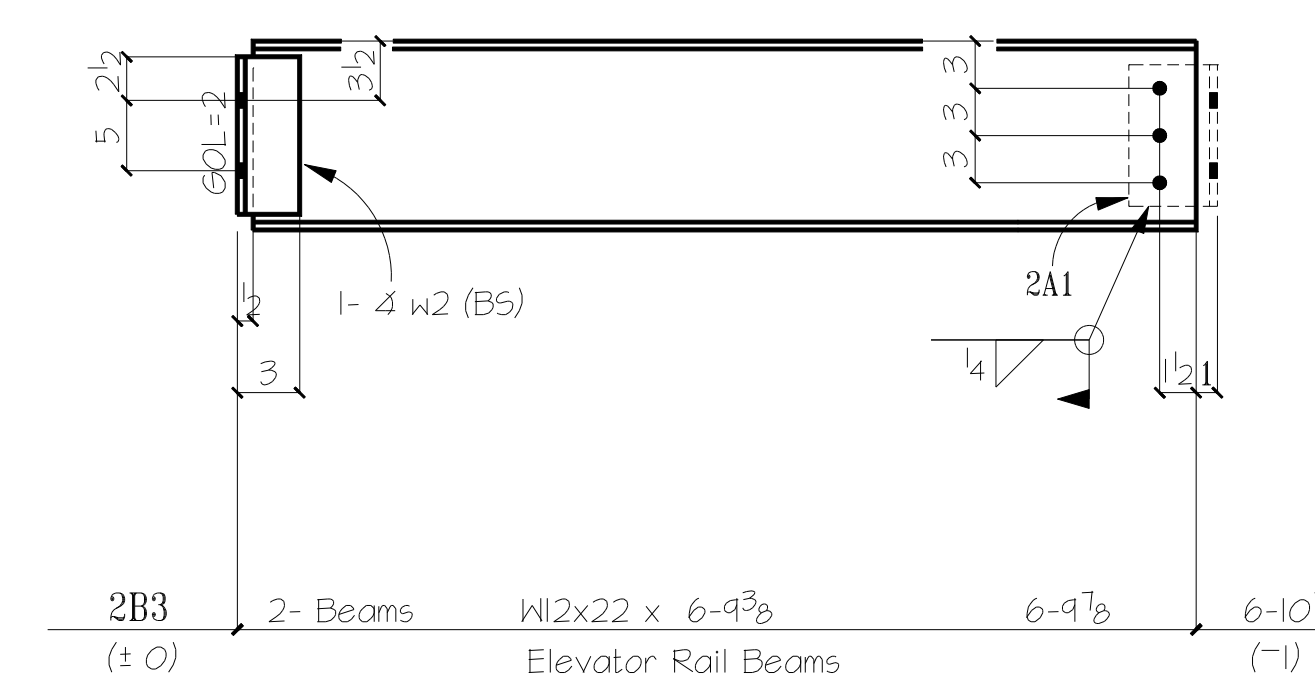
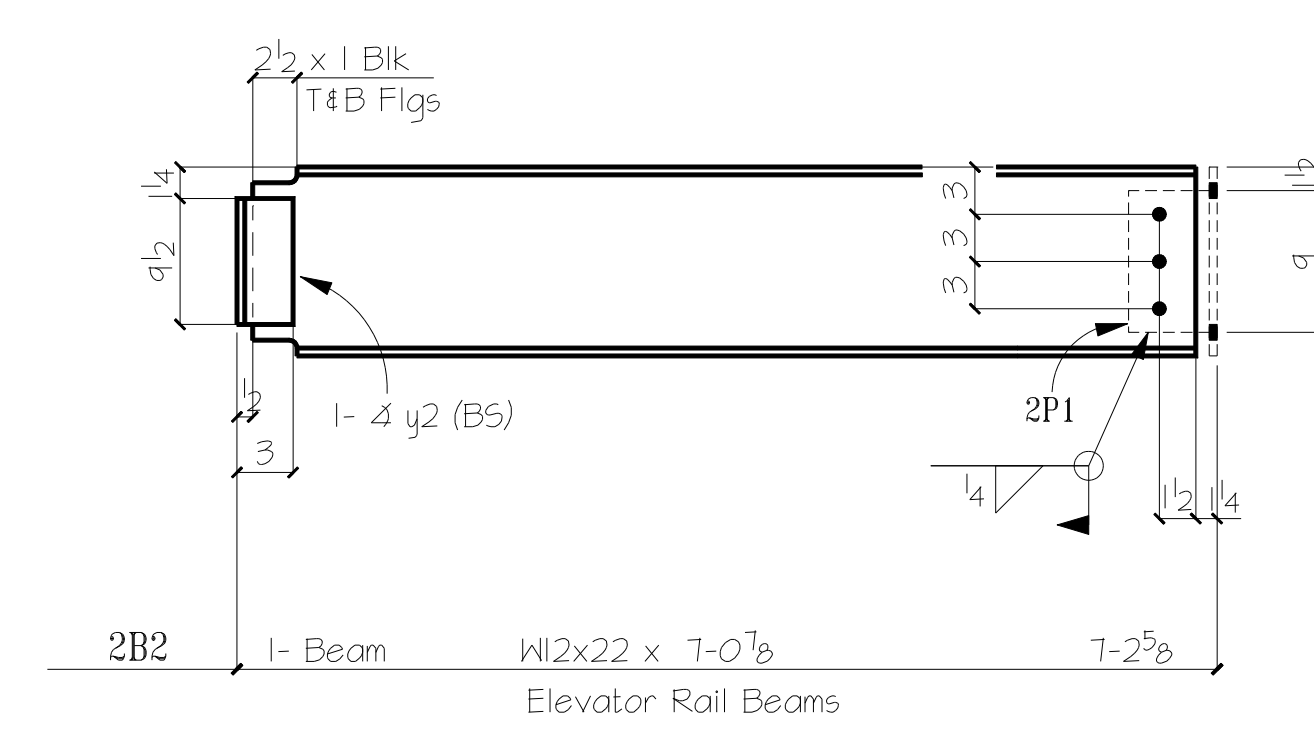
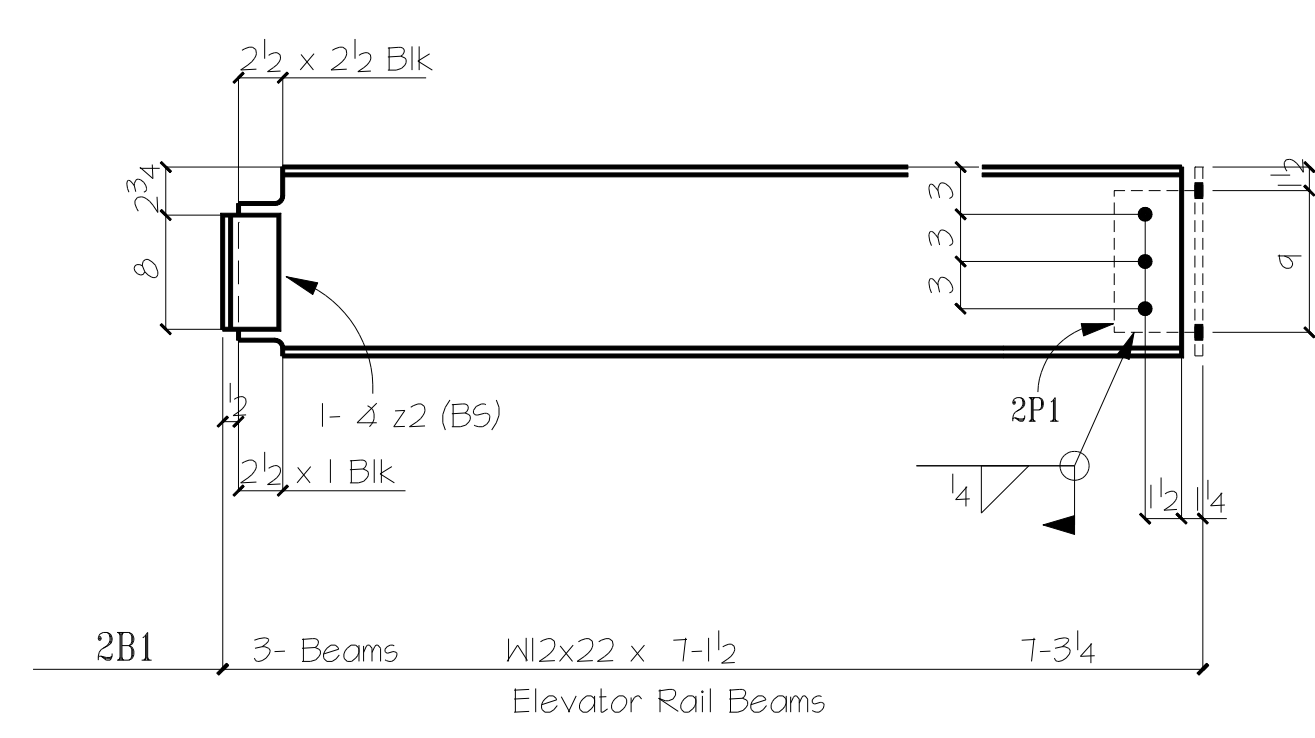
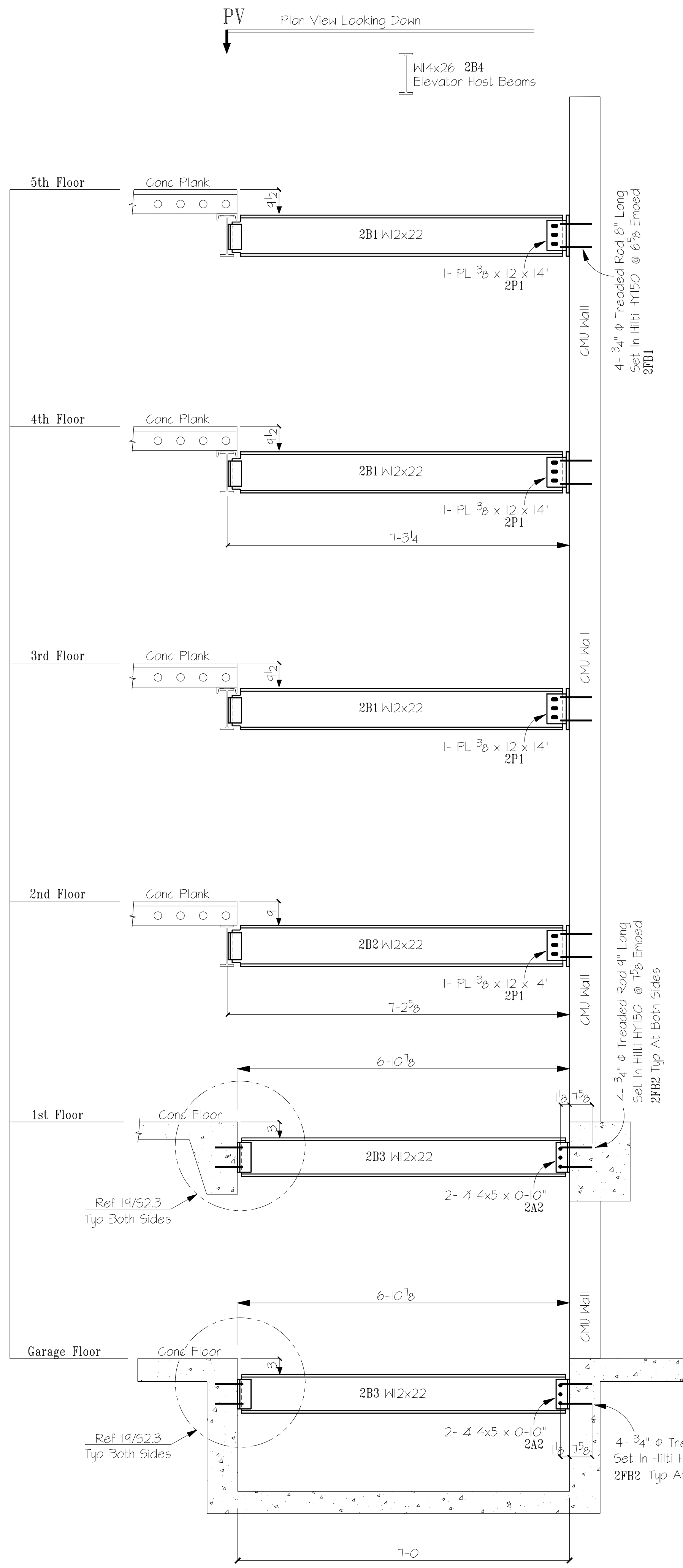


- BILL OF MATERIAL -

MARK	QTY	DESCRIPTION	LENGTH	REMARKS
2B1	3	W12 x 22	7-1/2	
z2	6	4 3 x 3 x 5/16	0-8	
2B2	1	W12 x 22	7-0 7/8	
y2	2	4 3 x 3 x 5/16	0-9 1/2	
2B3	2	W12 x 22	6-9 3/8	
w2	4	4 3 x 4 x 5/16	0-10	
2B4	1	W14 x 26	18-6	
w3	4	Bar 3/8 x 2 1/2	1-0 7/8	
2P1	4	Bar 3/8 x 12	1-2	
k2	4	Bar 3/8 x 5	0-9	
2A1	4	4 4 x 5 x 5/16	0-10	
Field Bolts				
2FB1	16	3/4" ϕ Threaded Rod	0-8	Hilti HY150
2FB2	16	3/4" ϕ Threaded Rod	0-9	Hilti HY150
B8	14	3/4" ϕ A325 Bolt	0-2	W/ N4W



MATERIAL GRADE SHELL BE	A36	U.N.O.
WF SHAPES	A512	TUBES A500
CHANNELS	A512	PIPES A53
COATING	One 5/C Red Oxide Primer	
13/16" ϕ OPEN HOLE	1/4" FILLETS	E700XX ELECTRODES

UNC Steel		
DETAILS OF Elevator Beams		
CUSTOMER _____		
ENGINEERING _____		
ARCHITECT _____		
PROJECT Stay Bridge Suites		
LOCATION N Loop 1604 SA TX		
DETAIL DY	10-6-09	JOB #
CHK.R	tsd 10-6-09	0902
		SHEET #
		D2b

APPROVAL 7-20-09 TO SHOP 10-6-09