

Useable Temple Mark Letters  
 a b c d e f g h j k l m n p q r s t v w x y z  
 Texas Steel Detailers  
 FN= Sosh-EOL.dwg

Drawing Are Based On  
 Plans Dated 9-17-08

Plans For Approval  
 & Not Construction

— DESCRIPTION OF REVISIONS MADE TO DRAWING —

NO.	REVISION DESCRIPTION	DATE	MADE BY	CHK BY	SHOPED
1					
2					
3					
4					

REF DWG 51.4

MATERIAL GRADE SHALL BE A36 U.N.O.

WF SHAPES A992 TUBES A500

CHANNELS A992 PIPES A501 or A53

COATING One 5/C Red Oxide Primer

13/16" OPEN HOLE    1/4" FILLETS    E700XX ELECTRODES

APPROVAL \_\_\_\_\_ TO SHOP \_\_\_\_\_

**UNC Steel**

DETAILS OF Roof Framing Plan

CUSTOMER \_\_\_\_\_

ENGINEERING \_\_\_\_\_

ARCHITECT \_\_\_\_\_

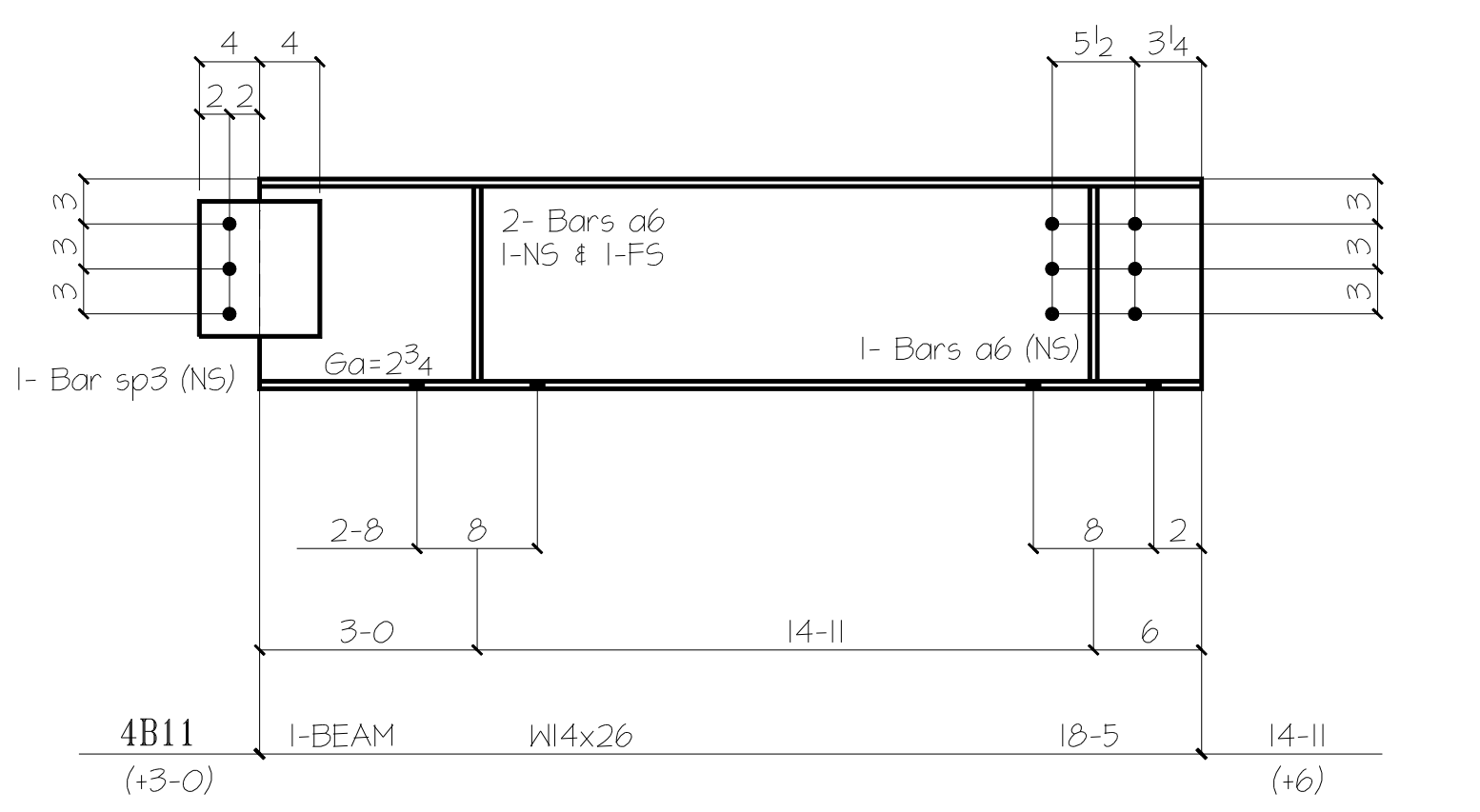
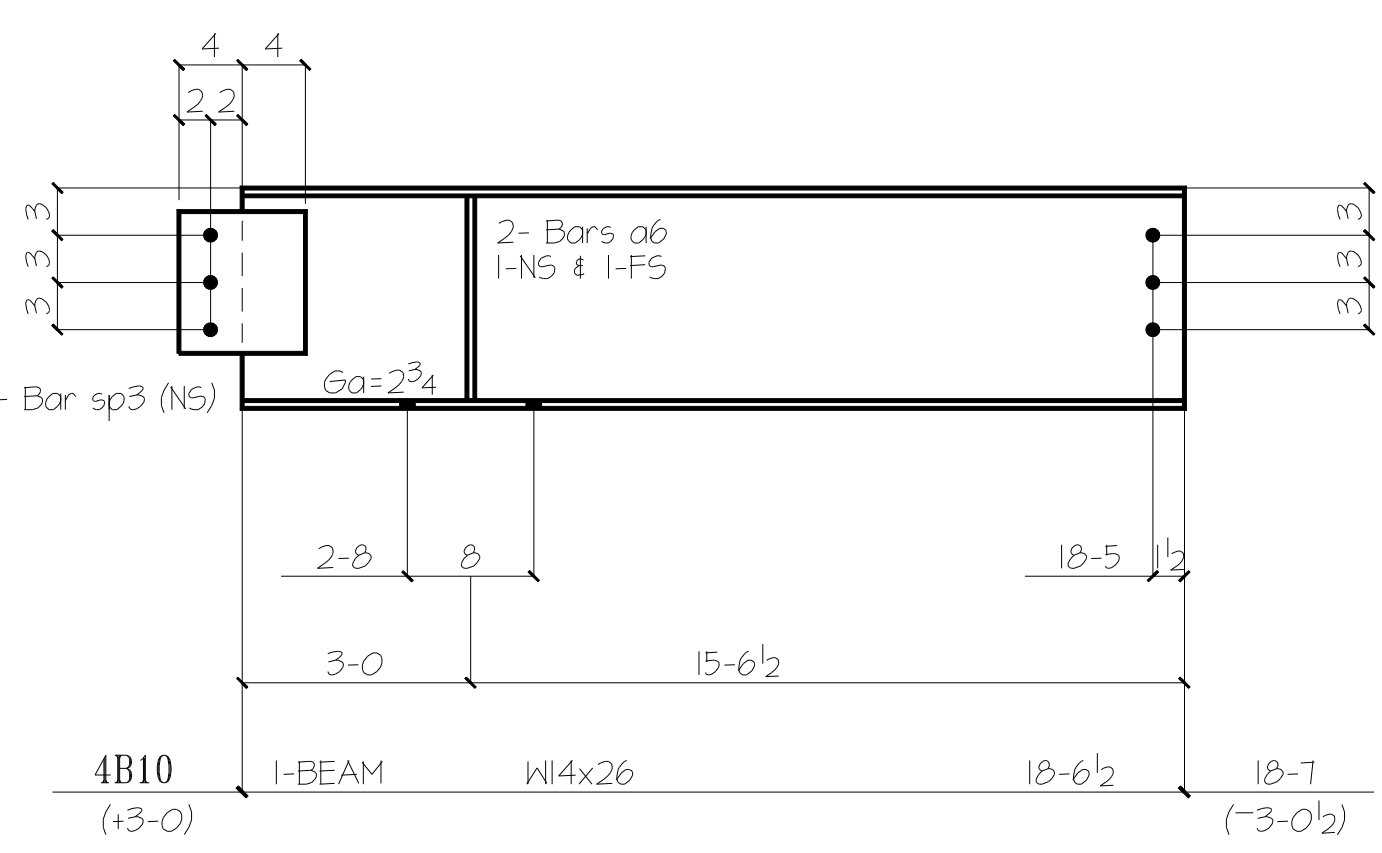
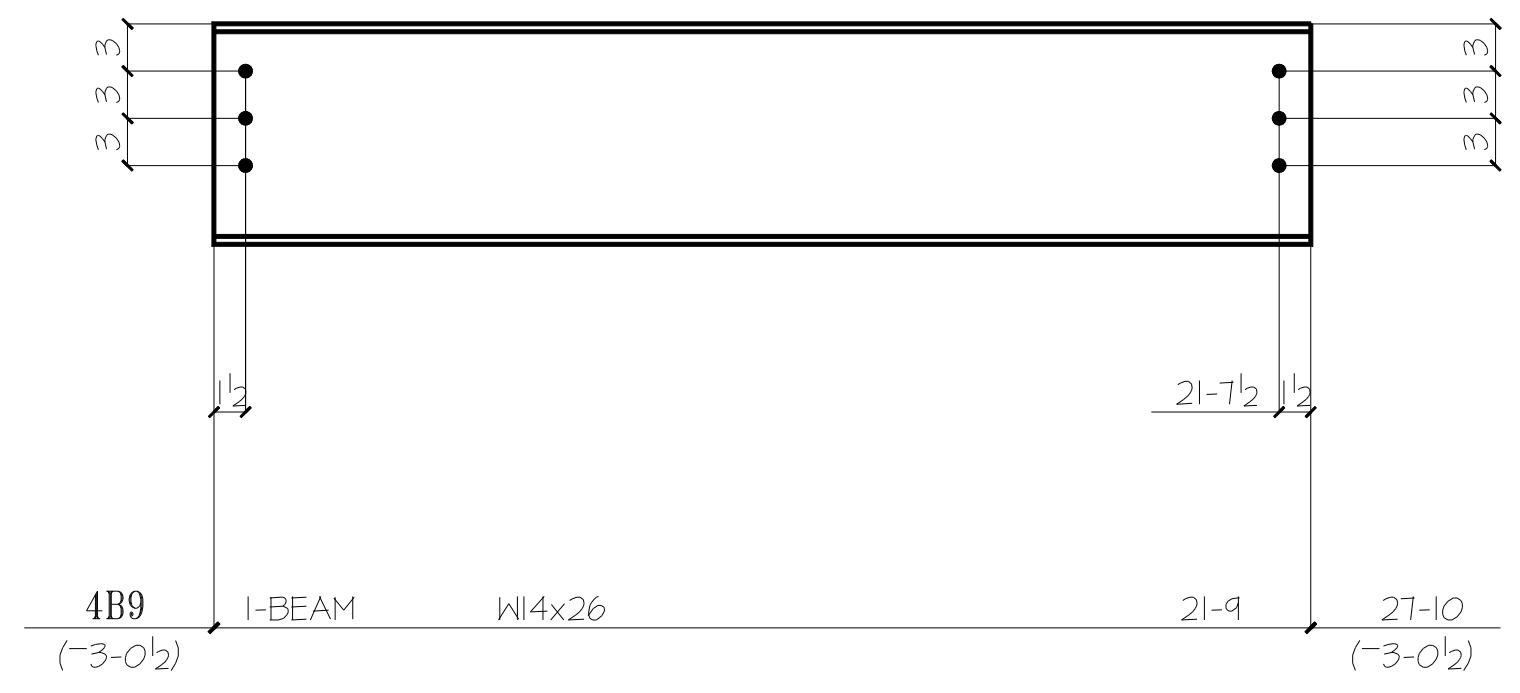
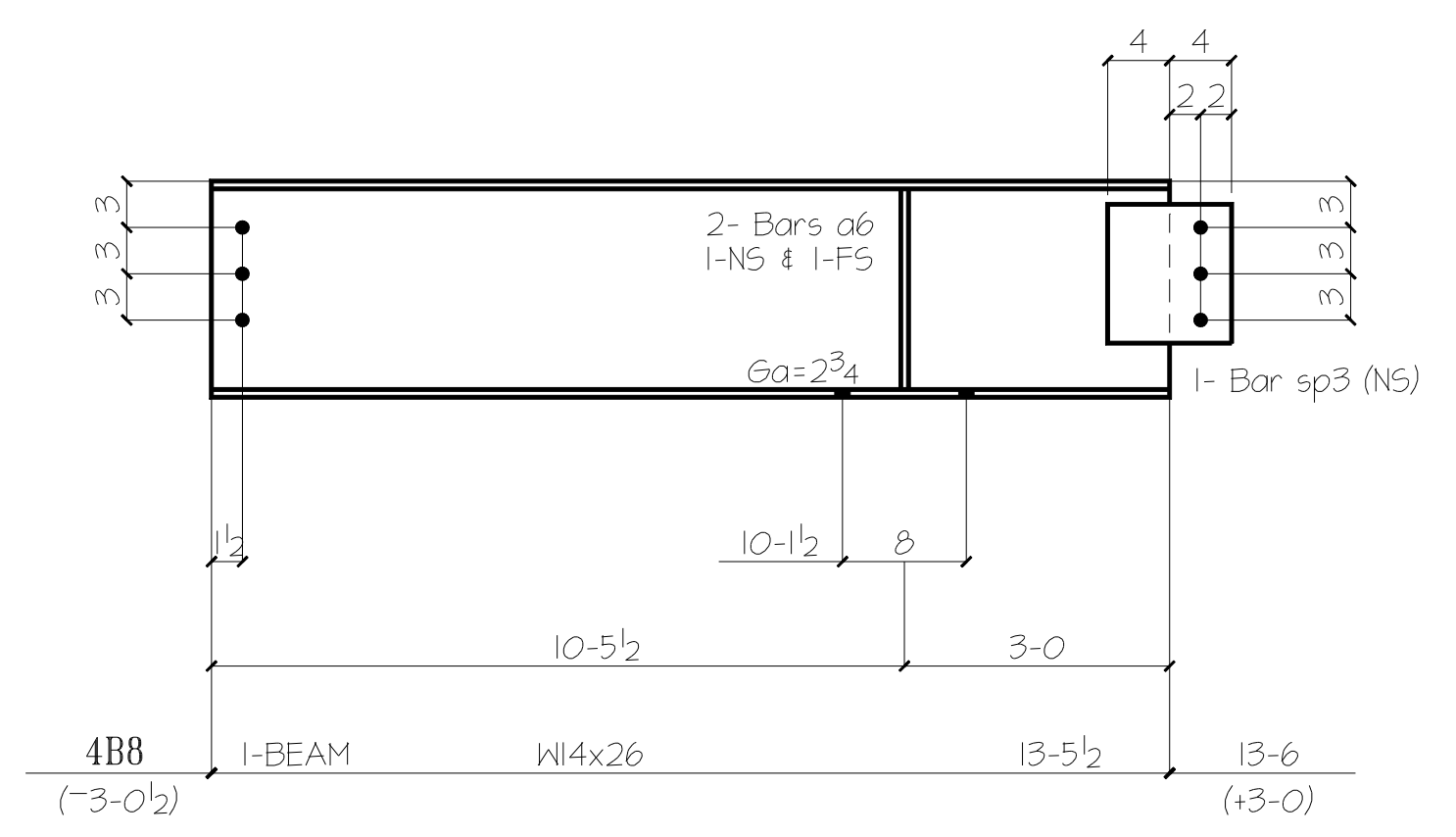
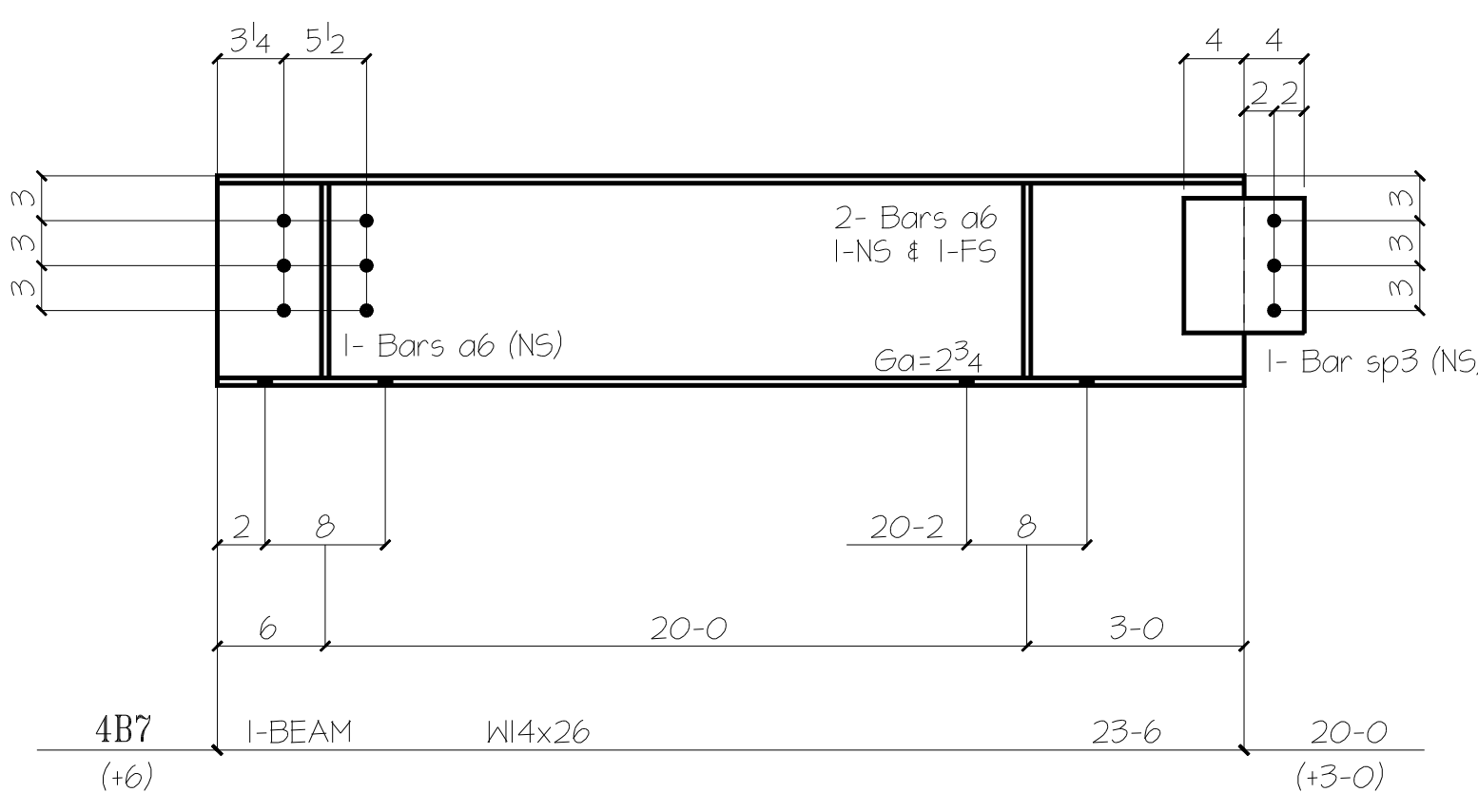
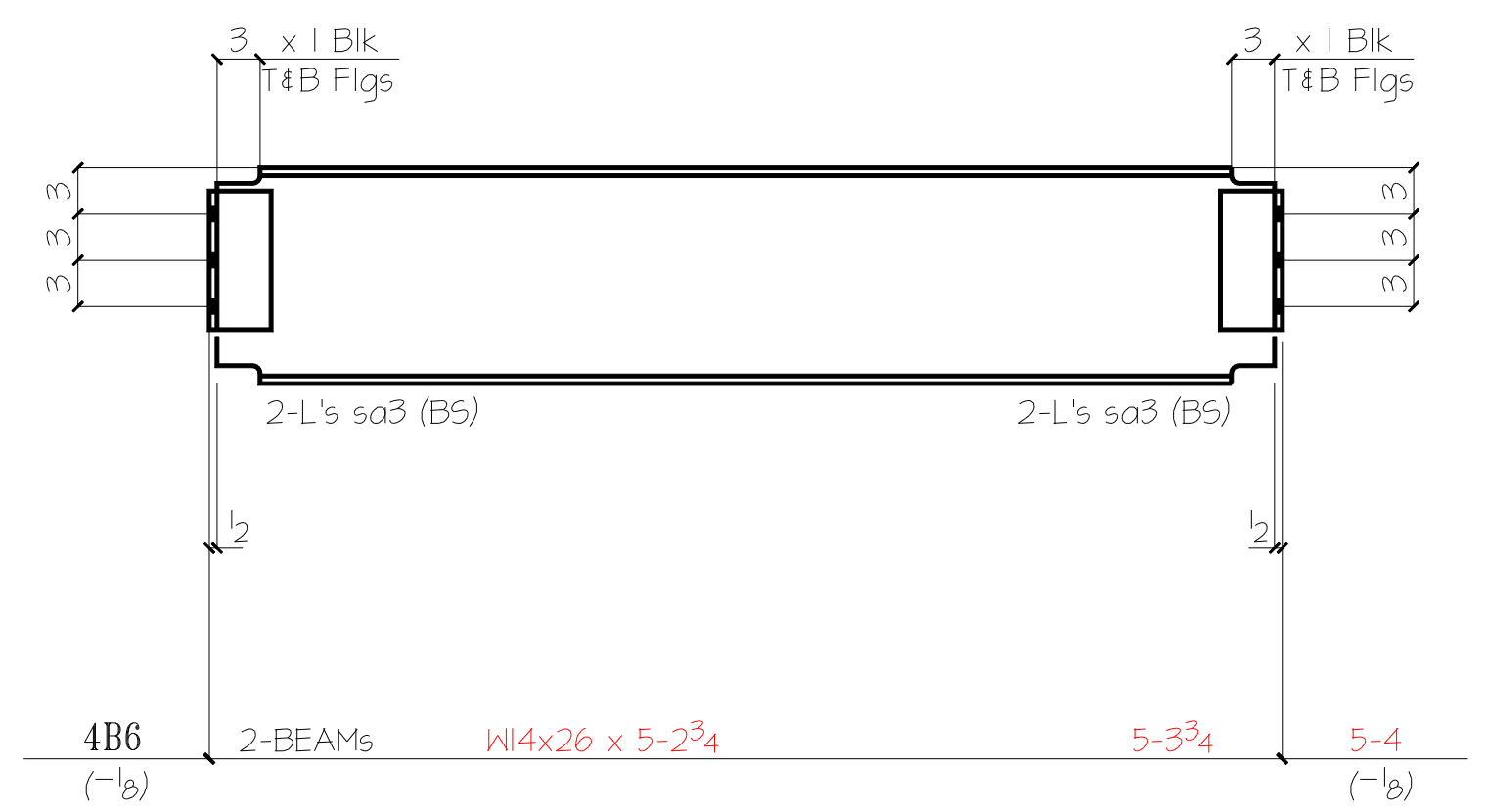
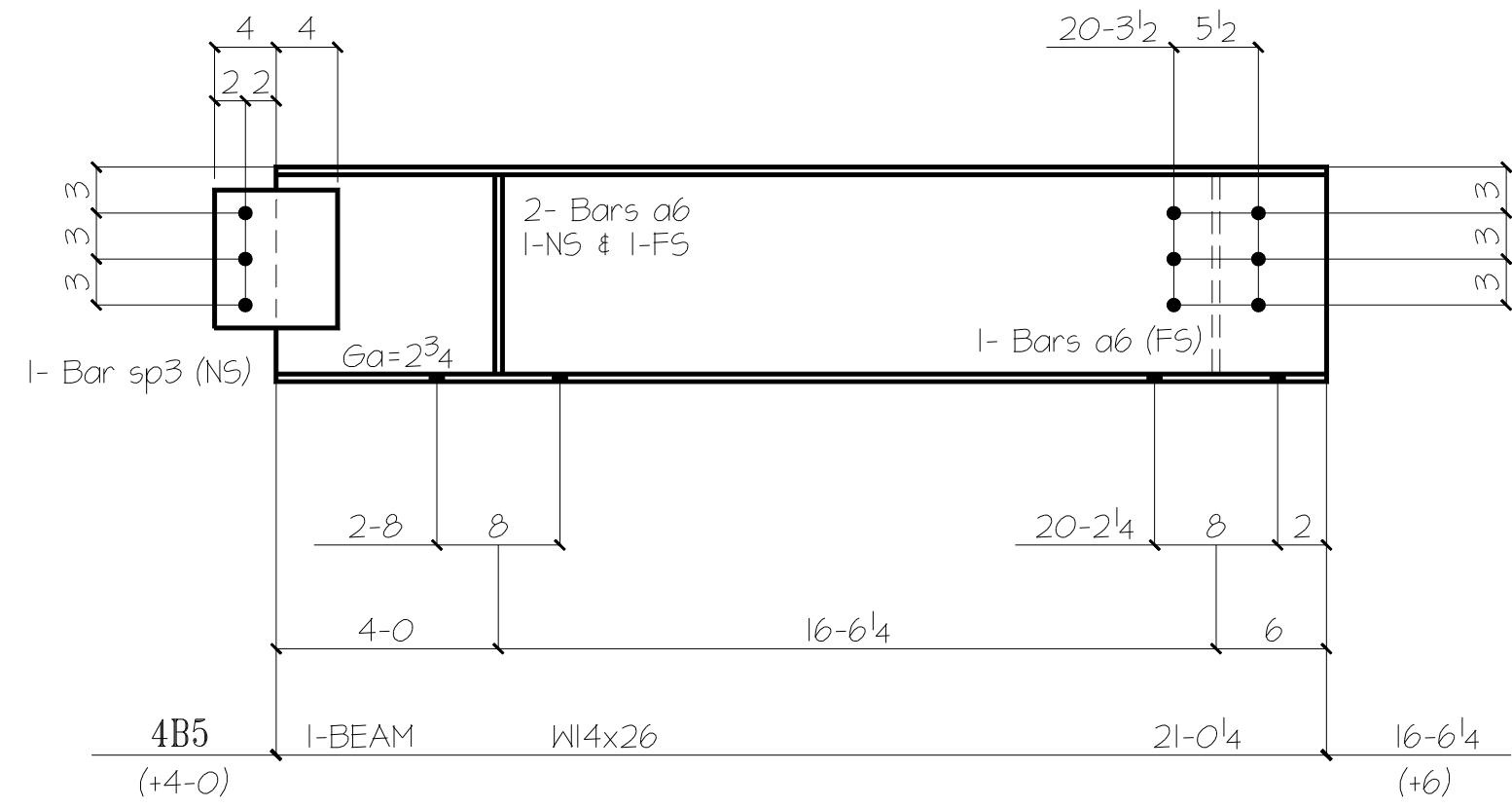
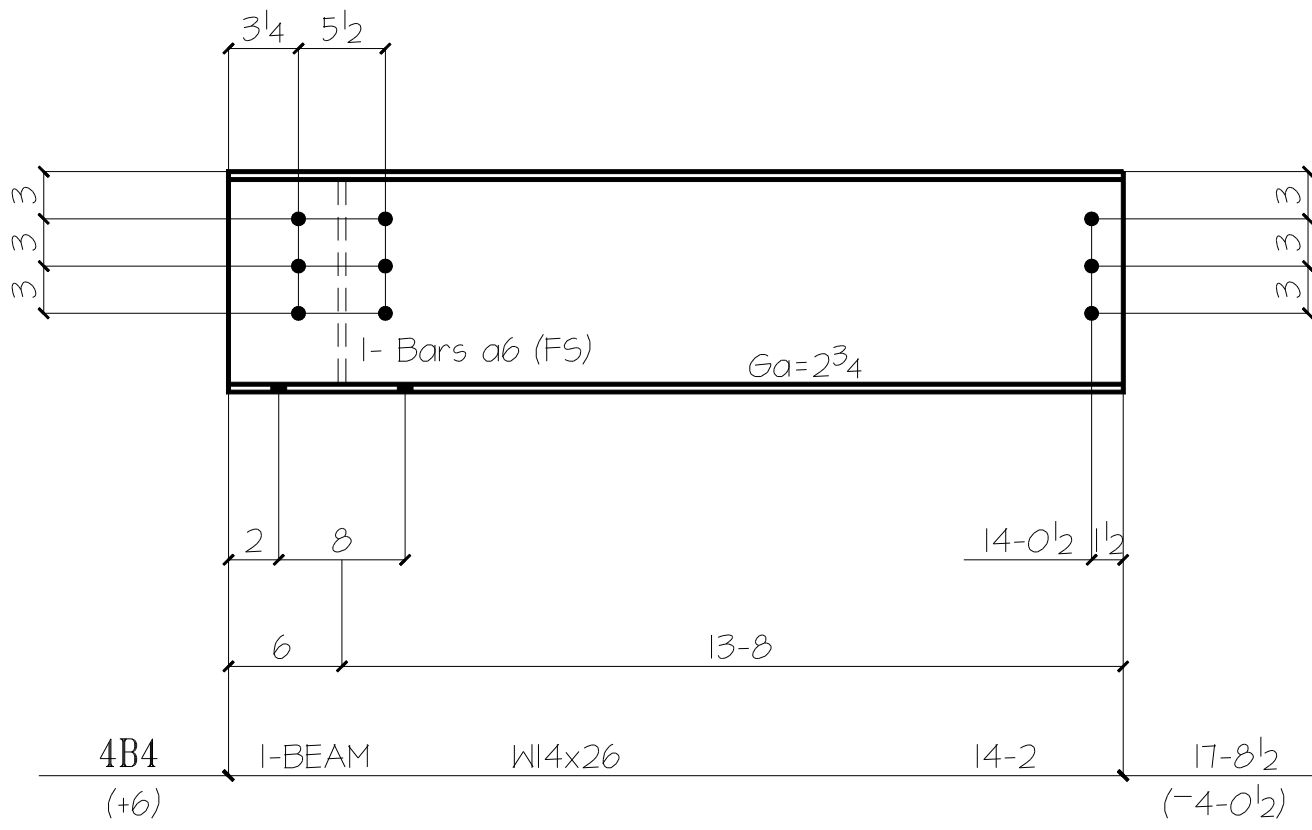
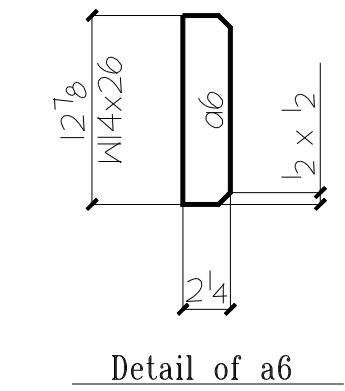
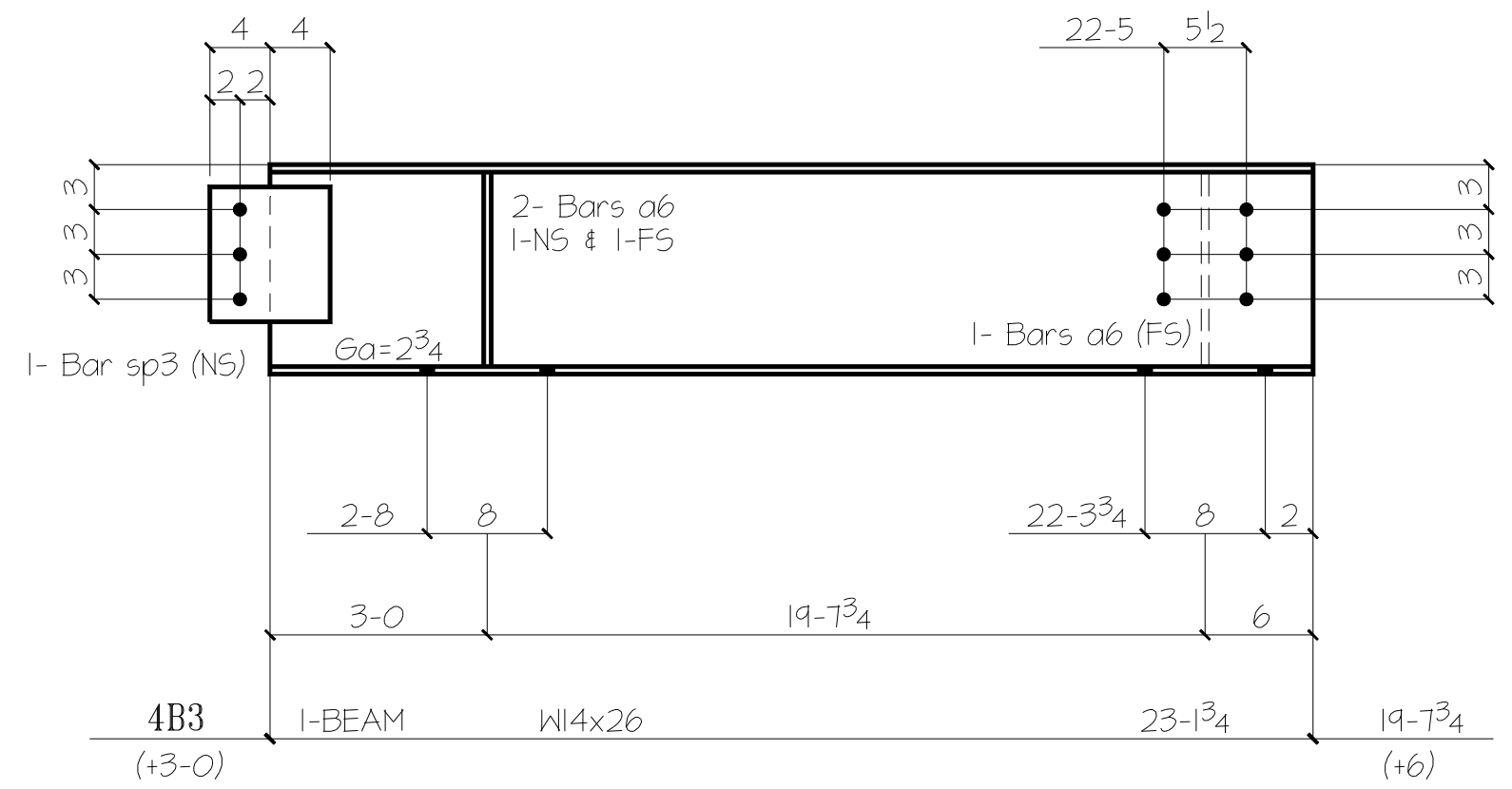
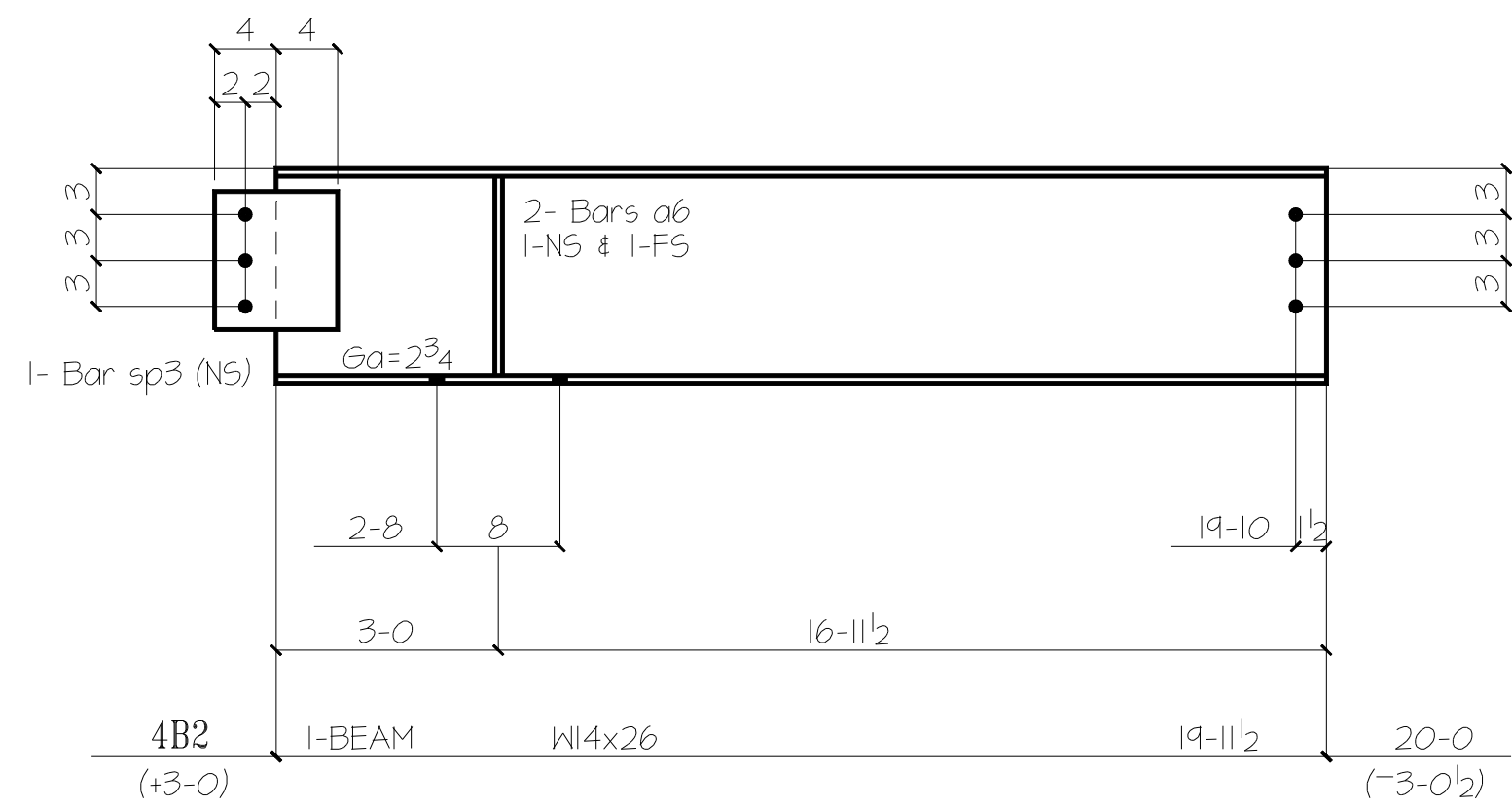
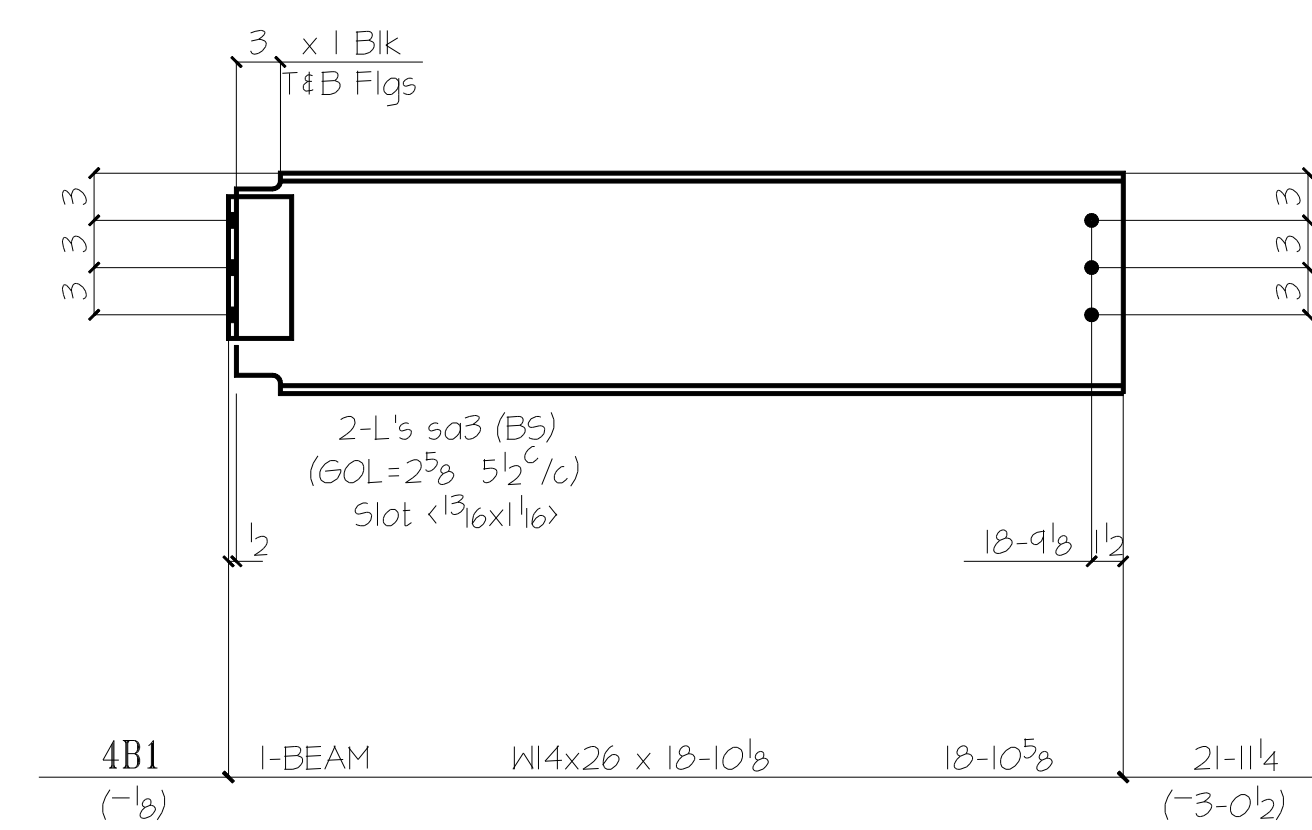
PROJECT Stay Bridge Suites

LOCATION N Loop 1604 SA TX

DETAIL	DY	2-24-09	JOB #	0902	SHEET #	E1
CHK.R	Tsd	3-13-09				

- BILL OF MATERIAL -

MARK	QTY	DESCRIPTION	LENGTH	REMARKS
4B1	1	W 14 x 26	18-10 <sup>1</sup> / <sub>8</sub>	
sa3	2	4 4 x 4 x <sup>3</sup> / <sub>8</sub>	0-9	Gal=2 <sup>5</sup> / <sub>8</sub>
4B2	1	W 14 x 26	19-11 <sup>1</sup> / <sub>2</sub>	
a6	2	Bar <sup>5</sup> / <sub>16</sub> x 2 <sup>1</sup> / <sub>4</sub>	1-0 <sup>1</sup> / <sub>8</sub>	
sp3	1	Bar <sup>3</sup> / <sub>8</sub> x $\emptyset$	0-9	
4B3	1	W 14 x 26	23-1 <sup>3</sup> / <sub>4</sub>	
a6	3	Bar <sup>5</sup> / <sub>16</sub> x 2 <sup>1</sup> / <sub>4</sub>	1-0 <sup>1</sup> / <sub>8</sub>	
sp3	1	Bar <sup>3</sup> / <sub>8</sub> x $\emptyset$	0-9	
4B4	1	W 14 x 26	14-2	
a6	1	Bar <sup>5</sup> / <sub>16</sub> x 2 <sup>1</sup> / <sub>4</sub>	1-0 <sup>1</sup> / <sub>8</sub>	
4B5	1	W 14 x 26	21-0 <sup>1</sup> / <sub>4</sub>	
a6	3	Bar <sup>5</sup> / <sub>16</sub> x 2 <sup>1</sup> / <sub>4</sub>	1-0 <sup>1</sup> / <sub>8</sub>	
sp3	1	Bar <sup>3</sup> / <sub>8</sub> x $\emptyset$	0-9	
4B6	1	W 14 x 26	5-2 <sup>3</sup> / <sub>4</sub>	
sa3	2	4 4 x 4 x <sup>3</sup> / <sub>8</sub>	0-9	Gal=2 <sup>5</sup> / <sub>8</sub>
4B7	1	W 14 x 26	23-6	
a6	3	Bar <sup>5</sup> / <sub>16</sub> x 2 <sup>1</sup> / <sub>4</sub>	1-0 <sup>1</sup> / <sub>8</sub>	
sp3	1	Bar <sup>3</sup> / <sub>8</sub> x $\emptyset$	0-9	
4B8	1	W 14 x 26	13-5 <sup>1</sup> / <sub>2</sub>	
a6	2	Bar <sup>5</sup> / <sub>16</sub> x 2 <sup>1</sup> / <sub>4</sub>	1-0 <sup>1</sup> / <sub>8</sub>	
sp3	1	Bar <sup>3</sup> / <sub>8</sub> x $\emptyset$	0-9	
4B9	1	W 14 x 26	21-9	
4B10	1	W 14 x 26	18-6 <sup>1</sup> / <sub>2</sub>	
a6	2	Bar <sup>5</sup> / <sub>16</sub> x 2 <sup>1</sup> / <sub>4</sub>	1-0 <sup>1</sup> / <sub>8</sub>	
sp3	1	Bar <sup>3</sup> / <sub>8</sub> x $\emptyset$	0-9	
4B11	1	W 14 x 26	18-5	
a6	3	Bar <sup>5</sup> / <sub>16</sub> x 2 <sup>1</sup> / <sub>4</sub>	1-0 <sup>1</sup> / <sub>8</sub>	
sp3	1	Bar <sup>3</sup> / <sub>8</sub> x $\emptyset$	0-9	



Drawing Are Based On Plans Dated 9-17-08

Plans For Approval & Not Construction

Usable Template Mark Letters  
abcdefghijklmnopqrstuvwxyz  
Texas Steel Detailers  
FN- 55th-D01dkg

- DESCRIPTION OF REVISIONS MADE TO DRAWING -

1					
2					
3					
4					

REVISION DESCRIPTION    DATE    MADE BY    CHK BY    SHOPED

REF DWG: ALL

MATERIAL GRADE SHALL BE A36 U.N.O.

WF SHAPES A512 TUBES A500

CHANNELS A512 PIPES A53

COATING One 5/C Red Oxide Primer

13/16 <sup>Ø</sup> OPEN HOLE    1/4 <sup>1</sup> FILLETS    E700XX ELECTRODES

APPROVAL \_\_\_\_\_ ? TO SHOP \_\_\_\_\_ ?

**UNC Steel**

DETAILS OF Beams

CUSTOMER \_\_\_\_\_

ENGINEERING \_\_\_\_\_

ARCHITECT \_\_\_\_\_

PROJECT Stay Bridge Suites

LOCATION N Loop 1604 SA TX

DETAIL DY 2-24-09

CHK.R tsd 3-13-09

JOB # **0902**

SHEET # **D 4**