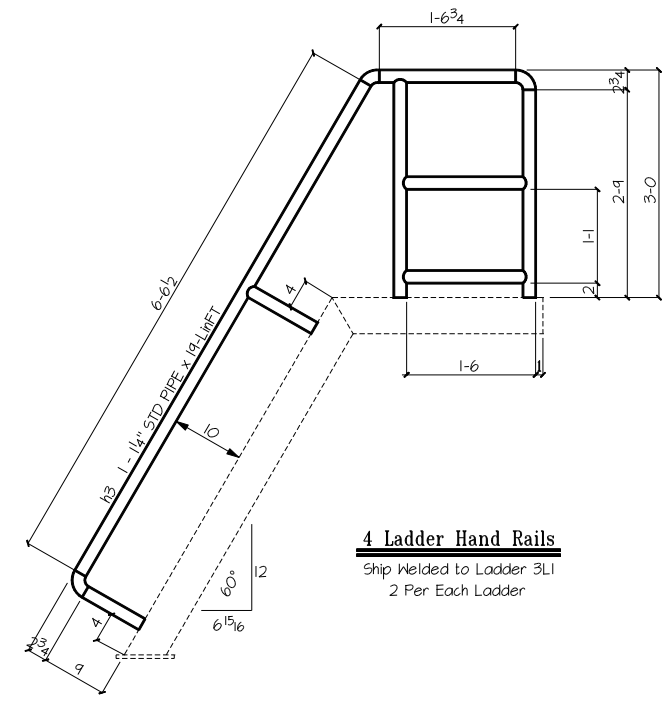
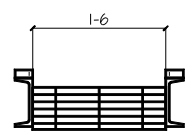
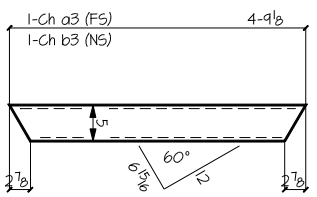
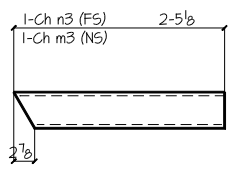


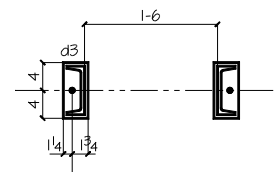
2 Ladder MK: 3L1
 Ref S2.08 & A2.214
 Grid Line D.2-3.5 & E-3.5



4 Ladder Hand Rails
 Ship Welded to Ladder 3L1
 2 Per Each Ladder



Section B



Section C

5 - SPACES @ 17/8" = 4-1/2"

EL=190-11 1/2

C

4

4

1-Gr c3 (Ctr'd)

1-Bar d3 (BS)

5

5 11/16

1 1/8

1-10/2

2-10

3-9/32

1-6

3

1-1/2

4

4

2-0

1-Bar e3

1-6

3

3

1/4

1/4

1/16

1/4

1/4

1/4

1/4

1/4

1/4

1/4

1/4

1/4

1/4

1/4

1/4

1/4

1/4

1/4

1/4

1/4

1/4

1/4