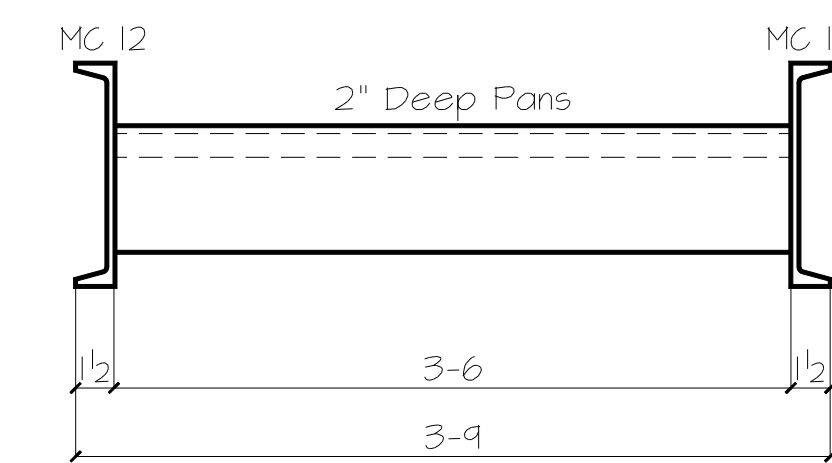
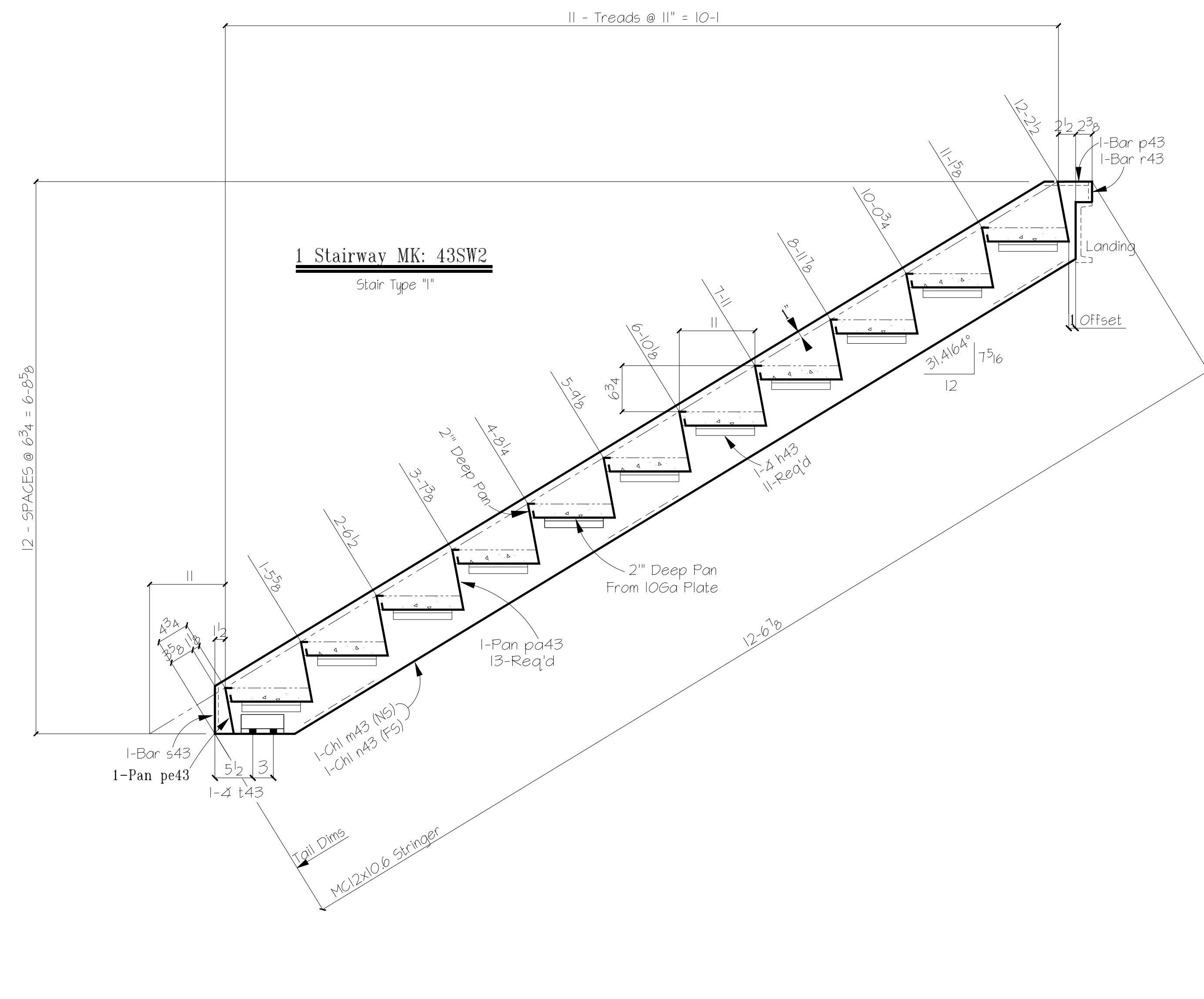
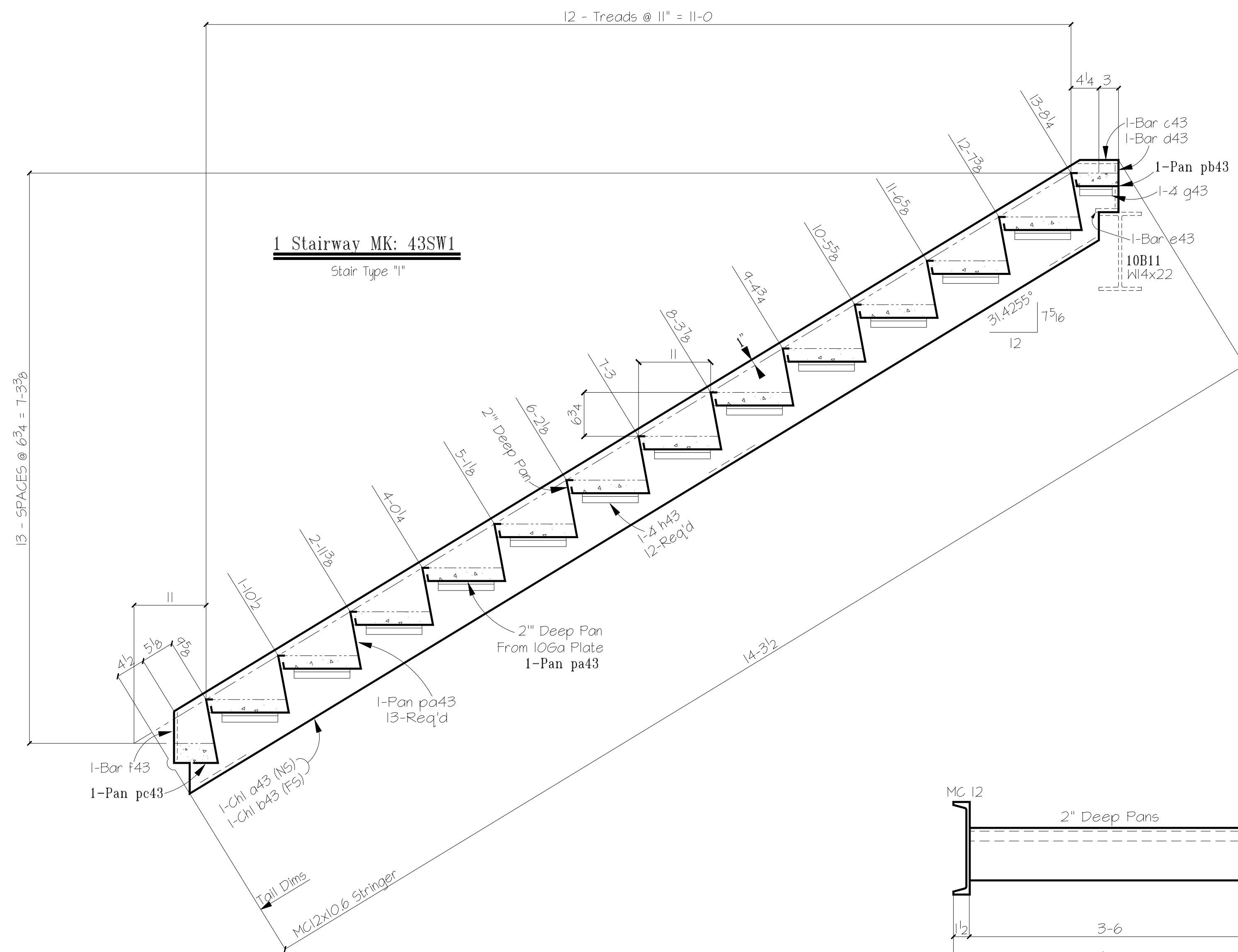
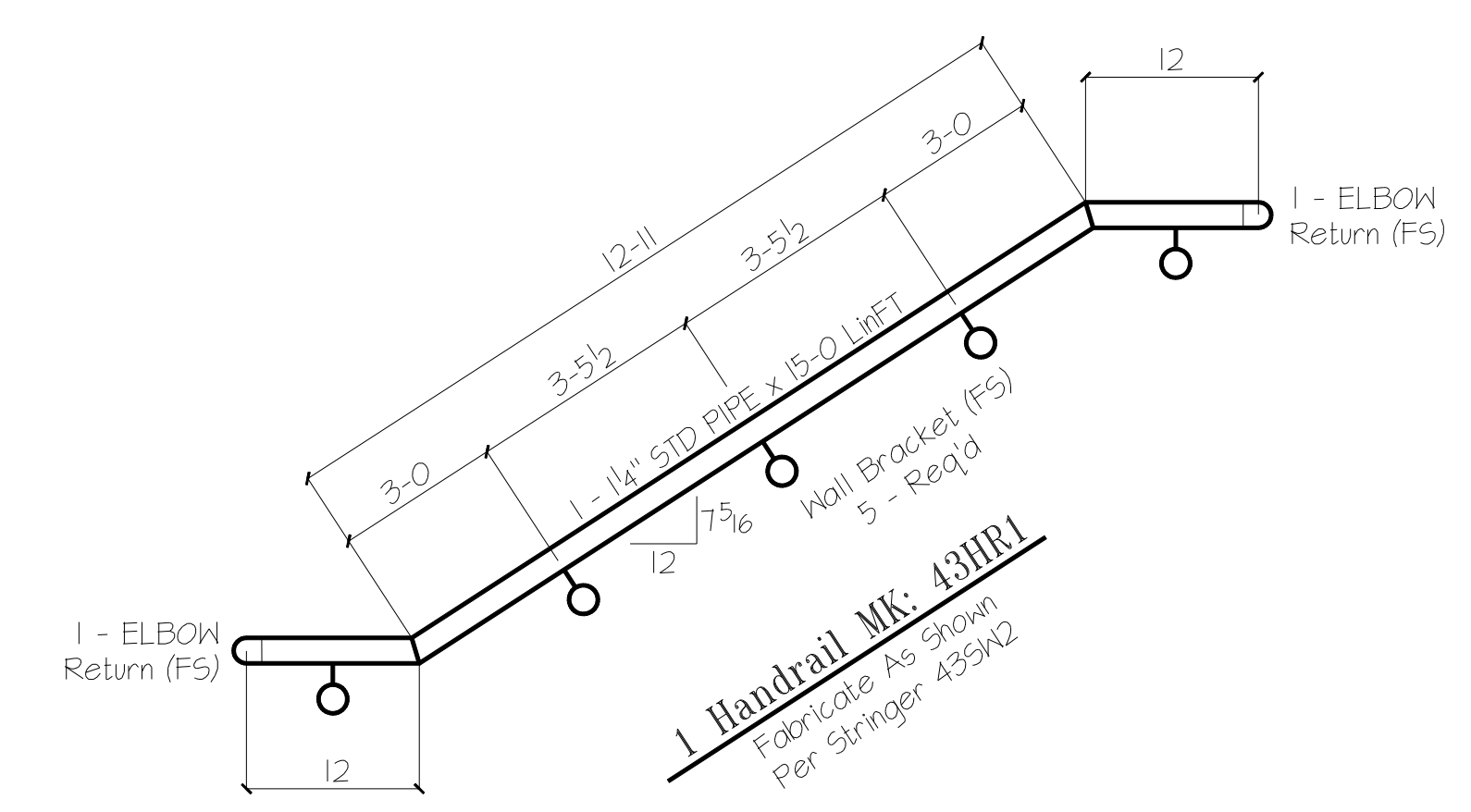


Useable Template Mark Letters
 /// a b c d e f g h i j k m n p q r s t u v w x y z
 TSD FN: Selma_Stairs.dwg

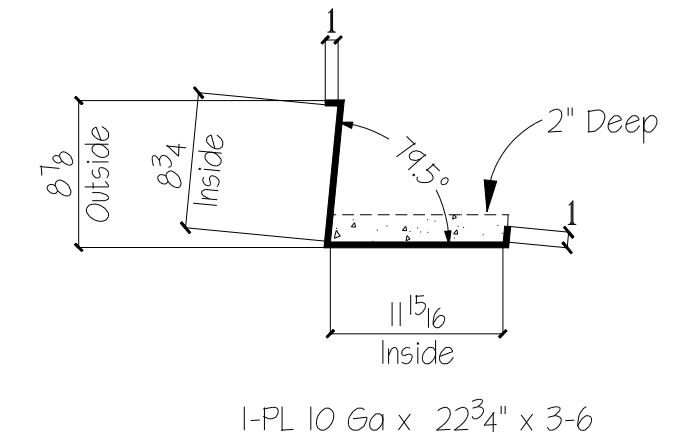
- DESCRIPTION OF REVISIONS MADE TO DRAWING -		MATERIAL GRADE SHELL BE <u>A36</u> U.N.O.		J&D Steel	
1		WF SHAPES <u>A992</u>	TUBES <u>A500</u>	DETAILS OF <u>Stair # 1 Plan</u>	
2		CHANNELS <u>A992</u>	PIPES <u>A501 or A53</u>	CUSTOMER <u>Selma Police Station</u>	
3		COATING <u>One S/C Red Oxide Primer</u>		ARCHITECT <u>Higinton Hooker</u>	
	REVISION DESCRIPTION	DATE	MADE BY	CHK BY	SHOPED
	REF DWG <u>S1 56</u>				
		13/16" ^Ø	1/4"	E700XX	
		OPEN HOLE	FILLETS	ELECTRODES	
		APPROVAL <u>2-21-09</u>	TO SHOP	<u>2-8-09</u>	
		DETAIL	DY <u>11-21-08</u>	JOB #	SHEET #
		CHK.R <u>tsd</u>	<u>2-8-09</u>	08018	ES 2



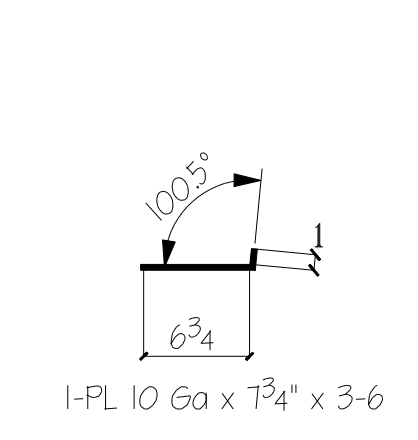
Stair Front View
43SW1 & 43SW2



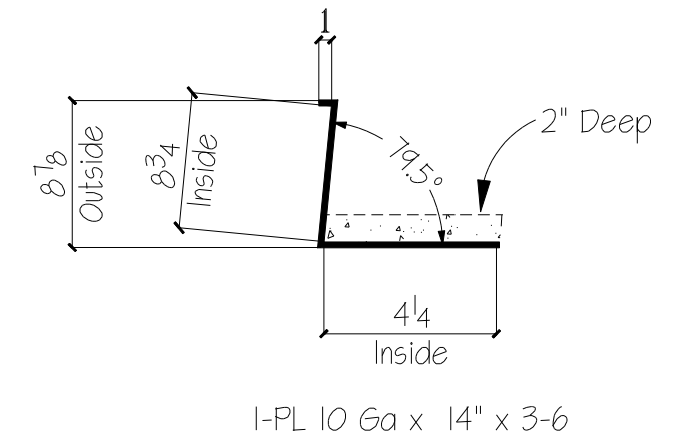
1 Handrail MK: 43HR1
Fabricate As Shown
Per Stringer 43SW2



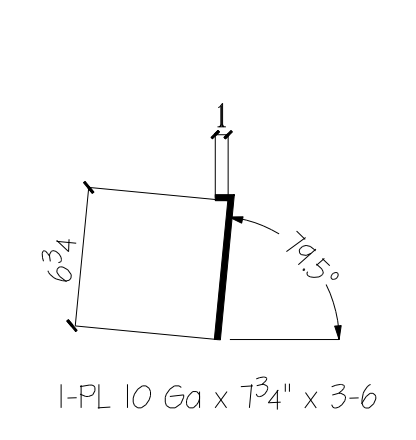
Detail of Bent PL pa43
(12 - Req'd) Per Each 43SW1
(11 - Req'd) Per Each 43SW2



Detail of Bent PL pb43
(1 - Req'd) Per Each 43SW1

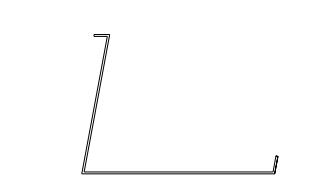


Detail of Bent PL pc43
(12 - Req'd) Per Each 43SW1



Detail of Bent PL pe43
(1 - Req'd) Per Each 43SW1

- BILL OF MATERIAL -						INSPECTION	
SHIP MK	TEMP MK	QTY	DESCRIPTION	LENGTH	REMARKS	WELDER	FINALE
43SW1		1	Stair Stringer				
	a43	1	MC 12 x 10.6	14-3 1/2	Miter		
	b43	1	MC 12 x 10.6	14-3 1/2	Miter		
	c43	2	Bar 1/4 x 1 1/4	0-6			
	d43	2	Bar 1/4 x 1 1/4	0-1 1/2			
	e43	2	Bar 1/4 x 1 1/4	0-3 1/2			
	f43	2	4 1 x 1 x 1/8	0-5			
	g43	2	4 1 x 1 x 1/8	0-5			
	h43	24	4 1 x 1 x 1/8	0-9 1/2			
43SW2		1	Stair Stringer				
	m43	1	MC 12 x 10.6	12-6 7/8	Miter		
	n43	1	MC 12 x 10.6	12-6 7/8	Miter		
	p43	2	Bar 1/4 x 1 1/4	0-6 3/4			
	r43	2	Bar 1/4 x 1 1/4	0-3			
	s43	2	Bar 1/4 x 1 1/4	0-7			
	t43	2	4 3 x 3 x 3/16	0-6			
	h43	22	4 1 x 1 x 1/8	0-9 1/2			
43HR1		1	1 1/4" std Pipe	15-Lin Ft			
	wall brk	5	Wall Bracket				
	elbow	1	90° Elbow				



- DESCRIPTION OF REVISIONS MADE TO DRAWING -				
1				
2				
3				
	REVISION DESCRIPTION	DATE	MADE BY	CHK BY
	REF DWG S1 56			

MATERIAL GRADE SHELL BE	A36	U.N.O.
WF SHAPES	A992	TUBES A500
CHANNELS	A992	PIPES A501 or A53
COATING	One S/C Red Oxide Primer	
13/16" OPEN HOLE	1/4" FILLETS	E700XX ELECTRODES
APPROVAL	2-21-09	TO SHOP 2-8-09

J&D Steel	
DETAILS OF Parts Stair # 1	
CUSTOMER	Selma Police Station
ARCHITECT	Wiginton Hooker
PROJECT	Selma Police Station
LOCATION	Selma Tx 78154
DETAIL DY	11-21-08
CHK.R	tsd 2-8-09
JOB #	08018
SHEET #	D43

Useable Template Mark Letters
A-Z a-z 0-9
TSD File: Selma_stairs.dwg