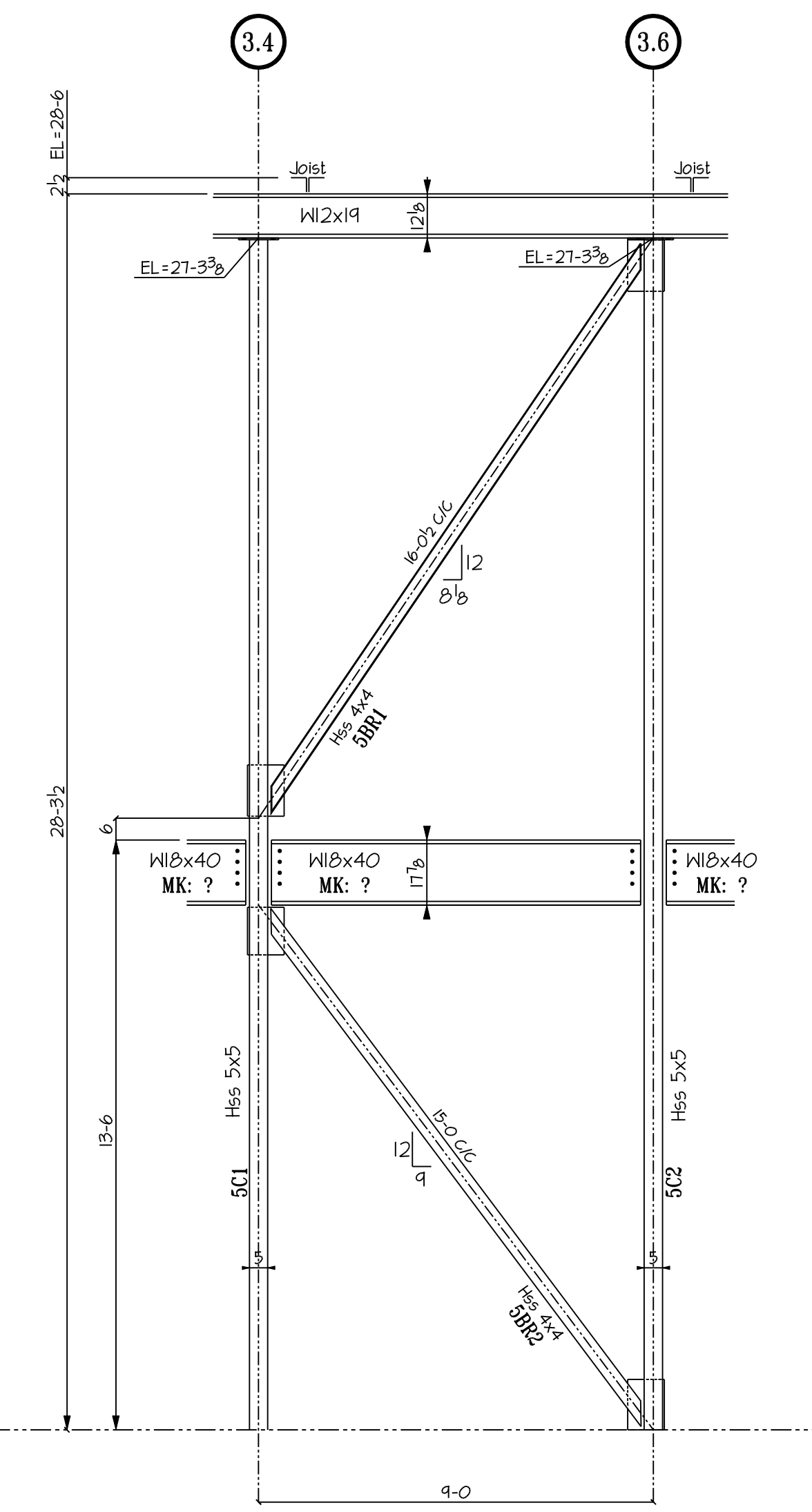
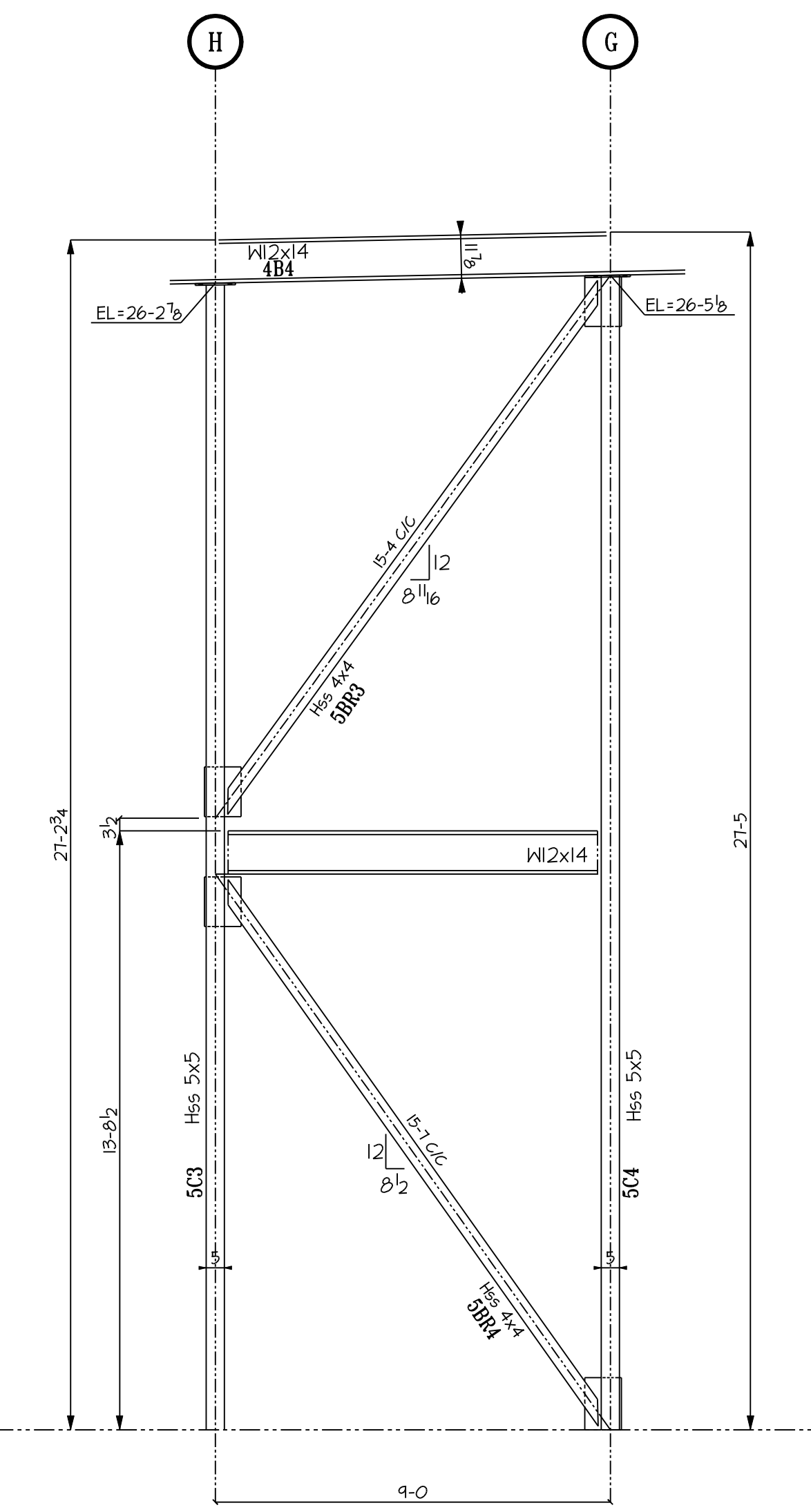


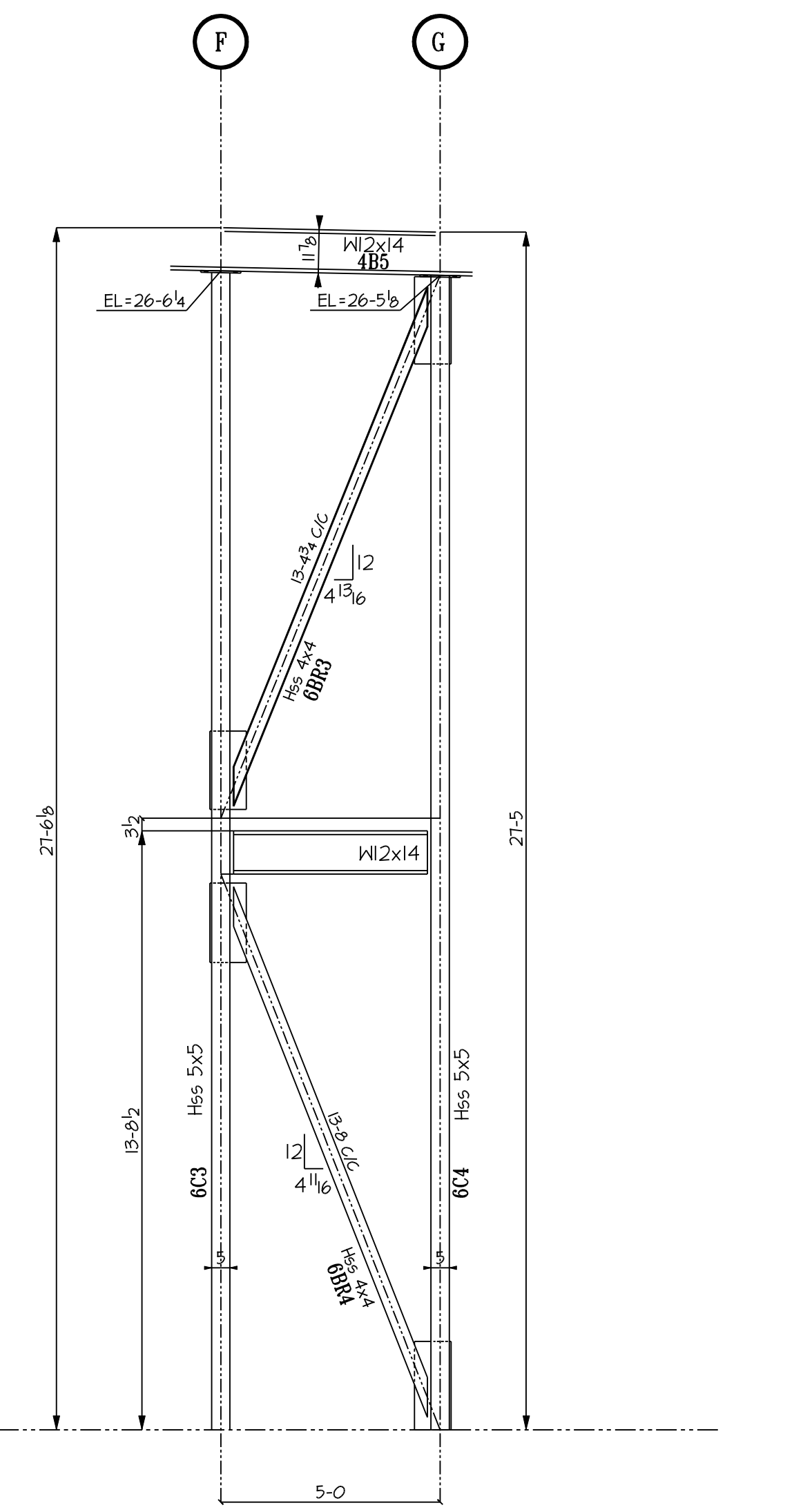
X-Brace Along Grid Line J
Viewed From Outside of Building
Ref 16/53.0



X-Brace Along Grid Line A
Viewed From Outside of Building
Ref 16/53.0



X-Brace Along Grid Line 1
Viewed From Outside of Building
Ref 16/53.0



X-Brace Along Grid Line 4
Viewed From Outside of Building
Ref 16/53.0