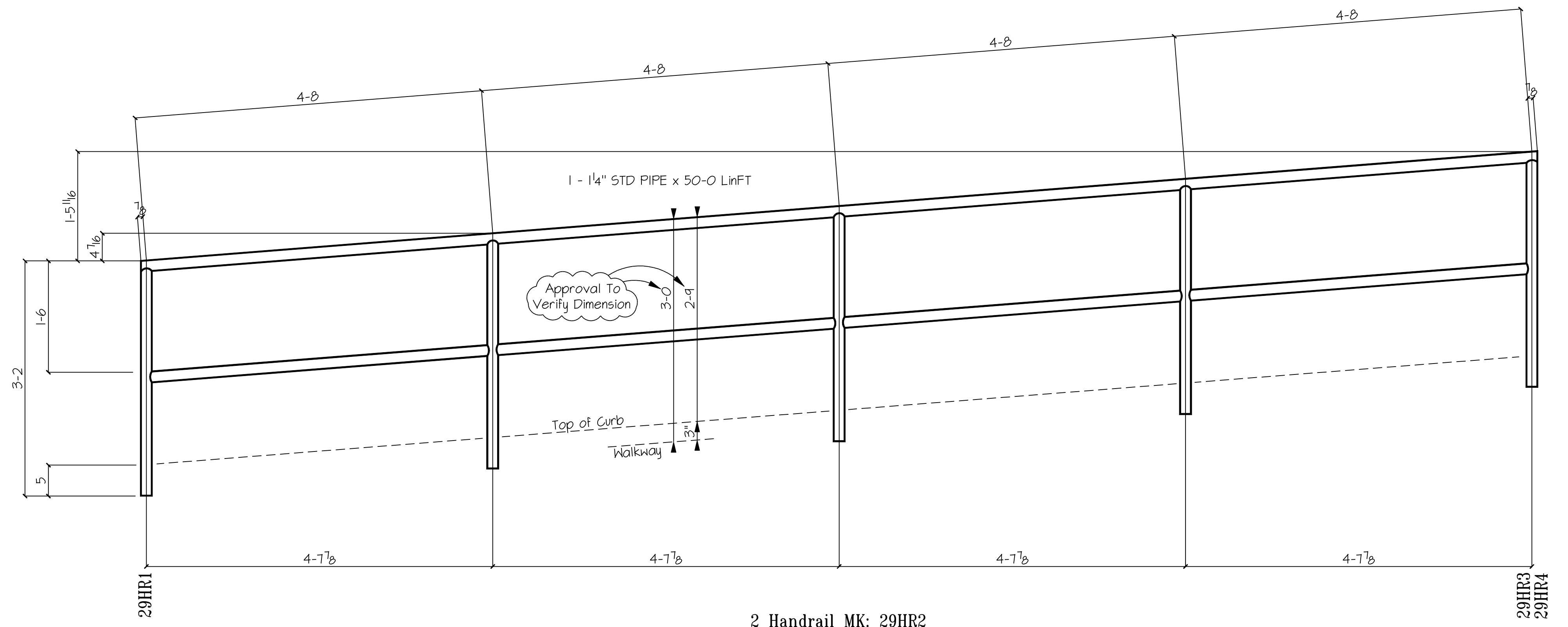
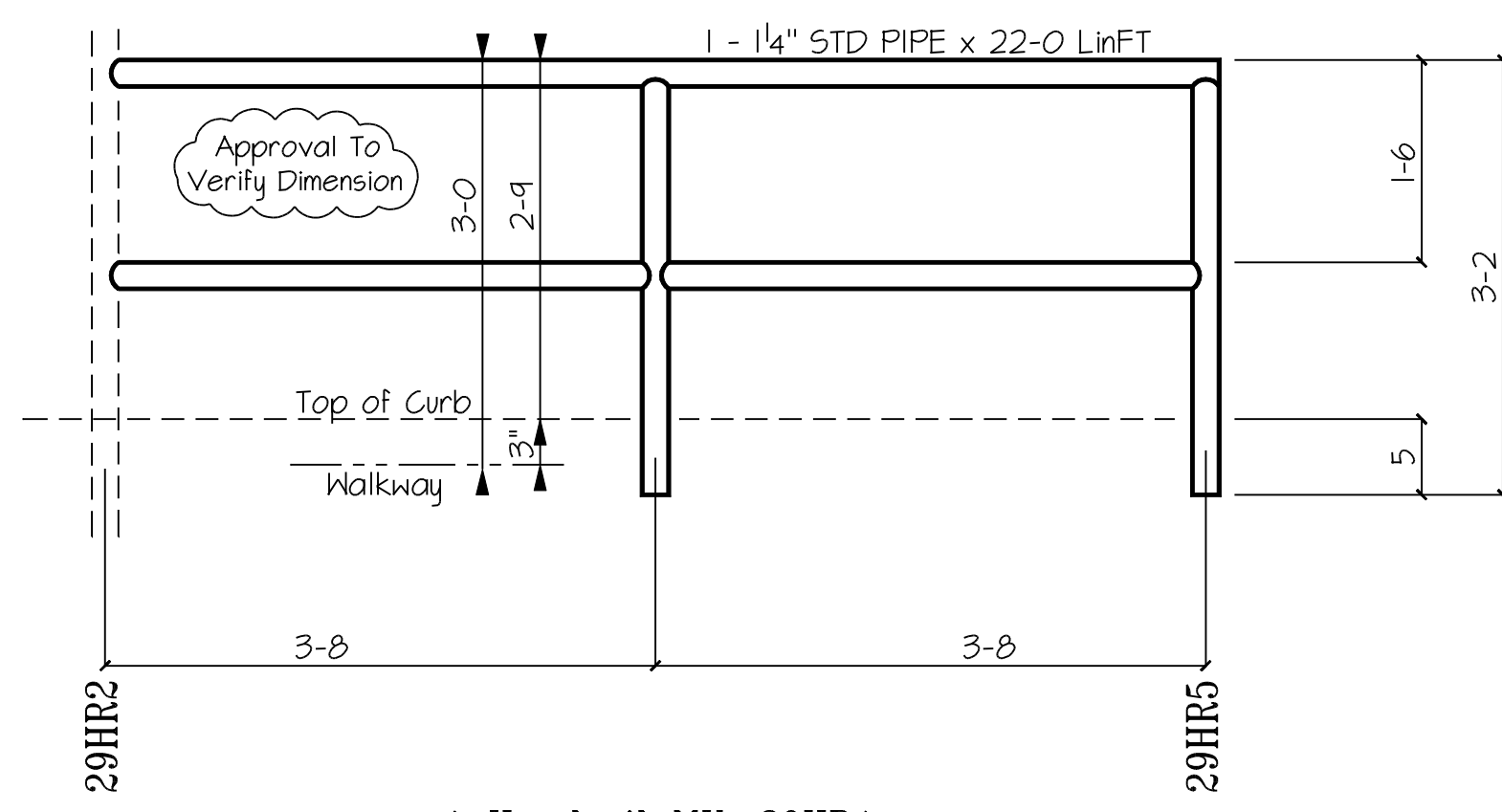


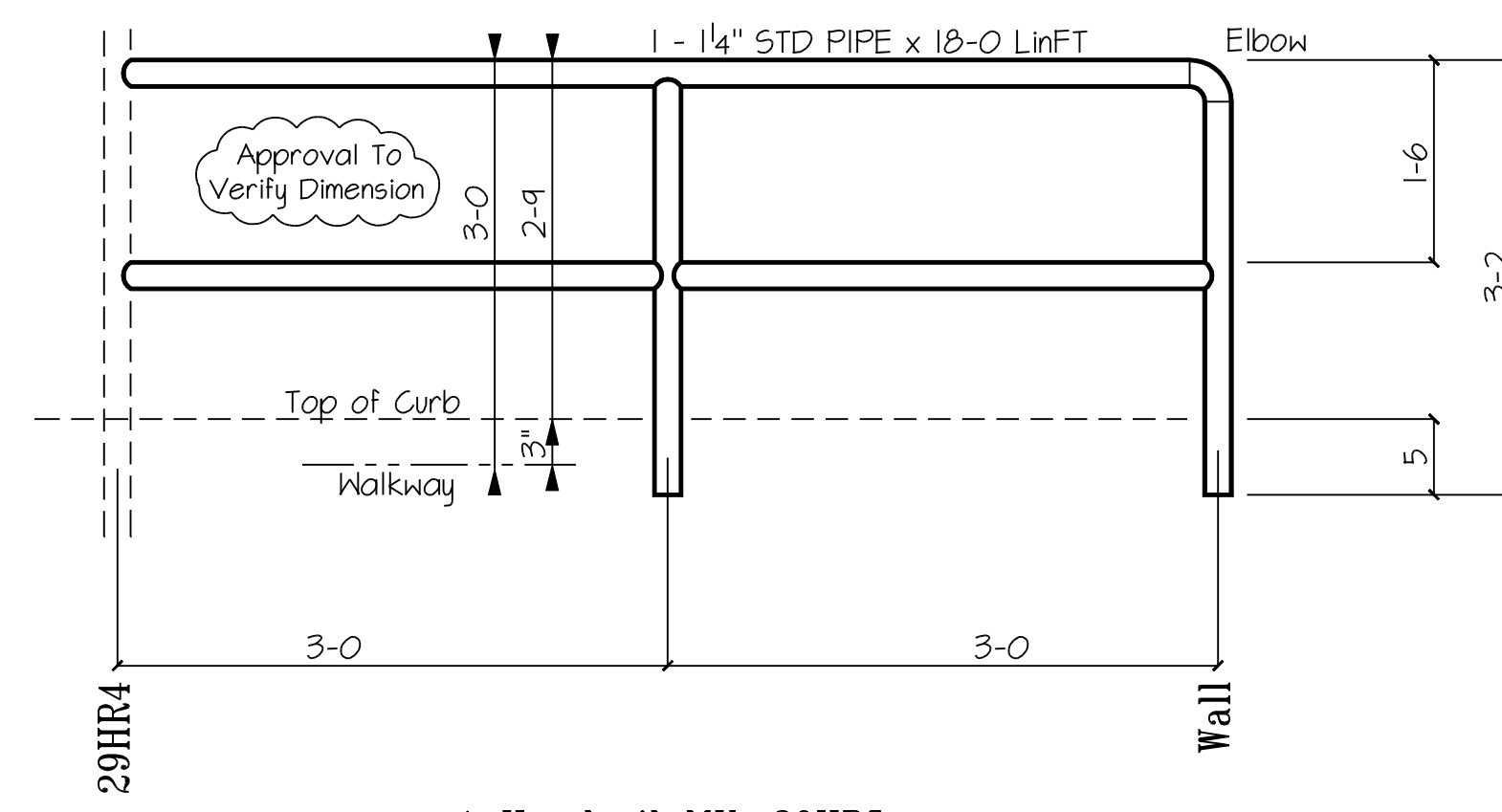
**2 Handrail MK: 29HR1**



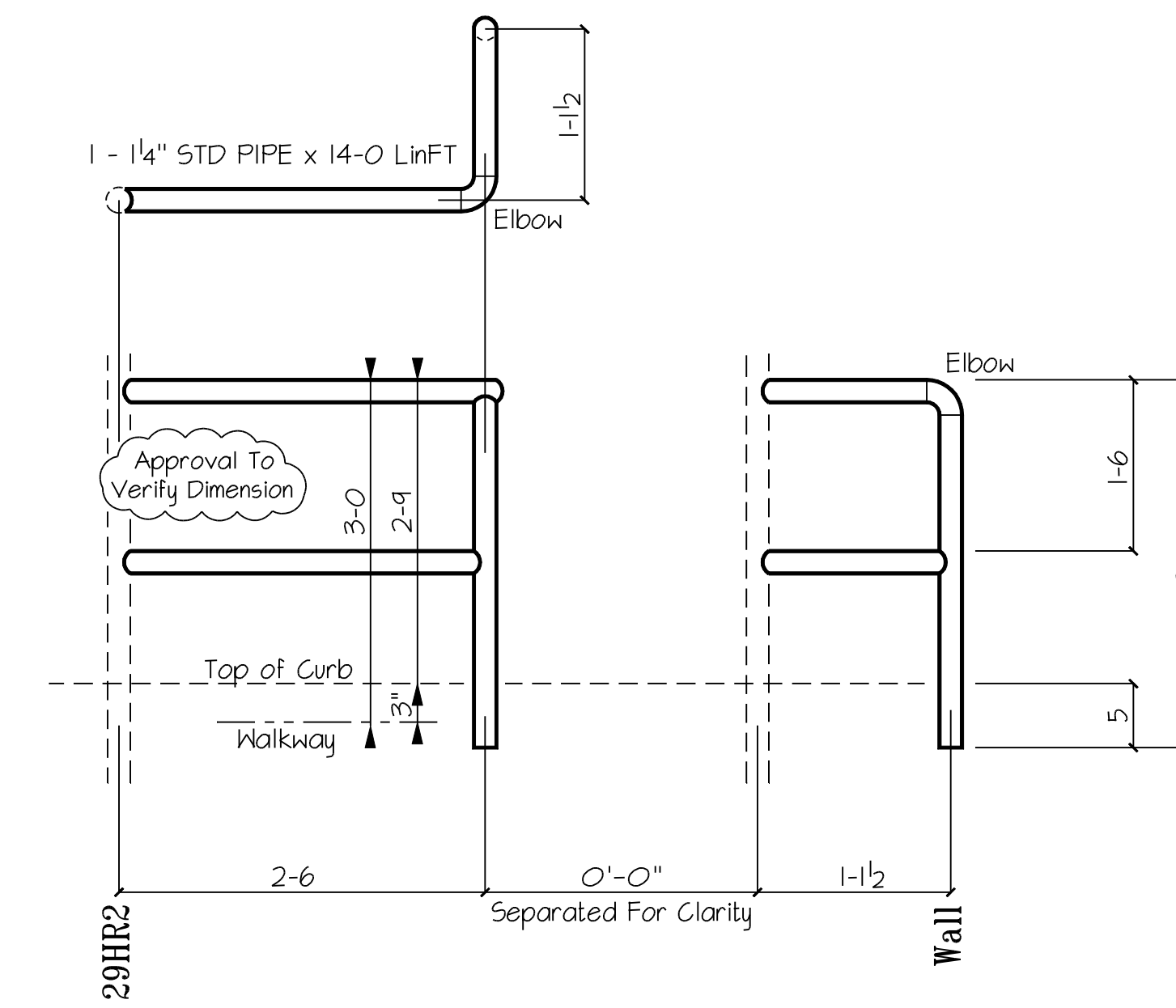
**2 Handrail MK: 29HR2**



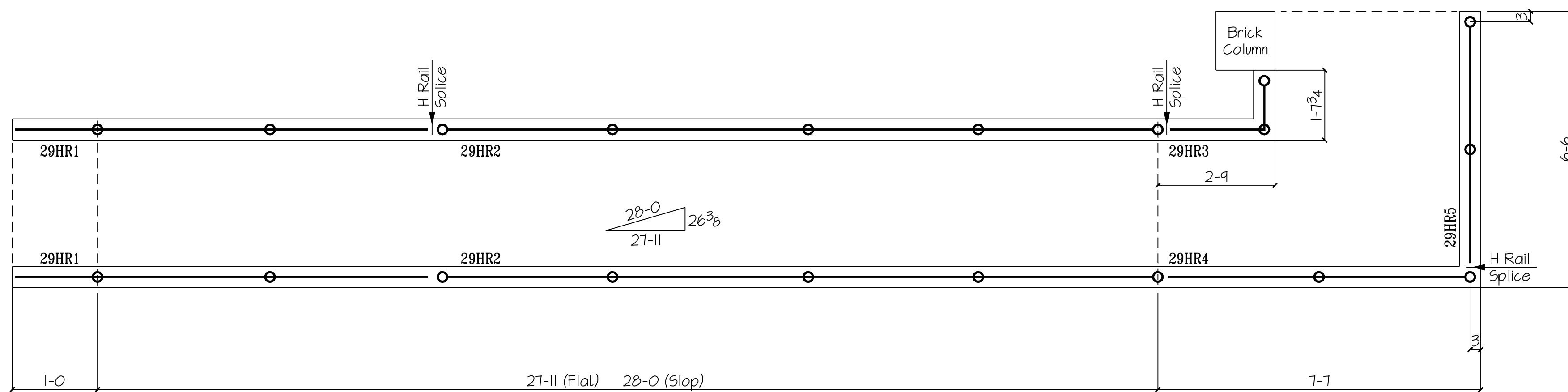
**1 Handrail MK: 29HR4**



**1 Handrail MK: 29HR5**



**1 Handrail MK: 29HR6**



- DESCRIPTION OF REVISIONS MADE TO DRAWING -		- UNLESS NOTED OTHERWISE -	
4		1/4"	MATERIAL GRADE SHALL BE A36 U.N.O.
3		FILLETs	WF SHAPES A572 TUBES A500
2			CHANNELs A572 PIPEs A501 or A53
1			REF SCHEDULE ? / ?
REF DWG		13/16"φ	OPEN HOLE
		COATING One 5/G Red Oxide Primer	

**AWF**

DETAILS OF Outside Ramp Handrails

PROJECT	LOCATION	CUSTOMER	ARCHITECT	ENGINEER
DETAIL DR	5-12-08	REV # 0	SHEET# D29	
CHK.R		SHOP CODE	St Marks	
F:\st-marks-osr.dwg				