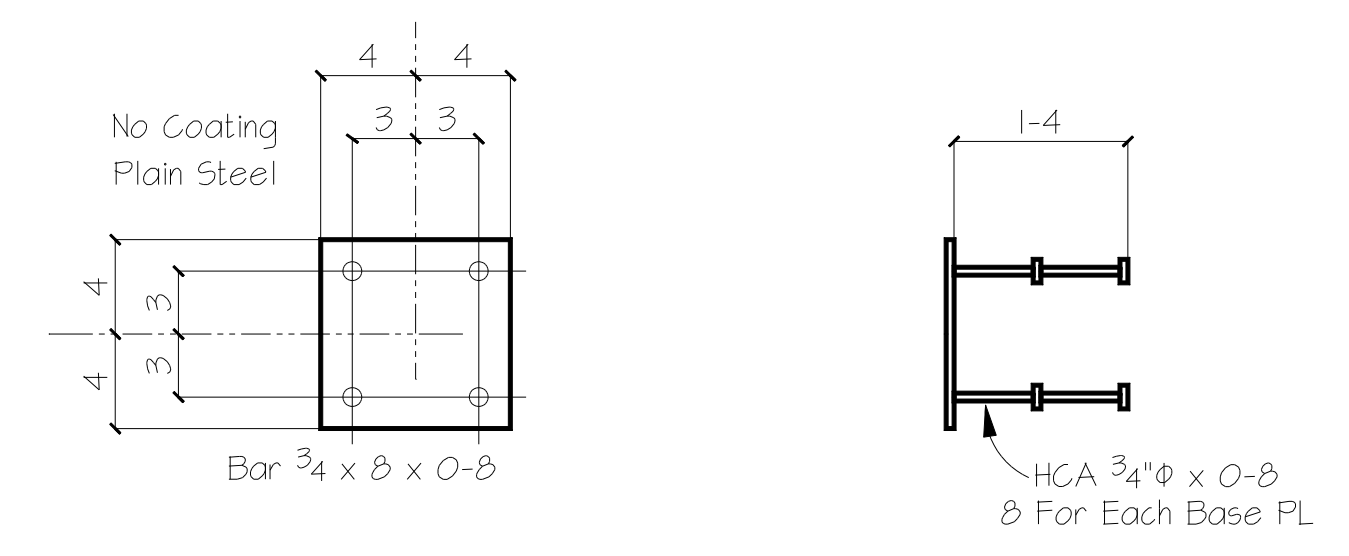
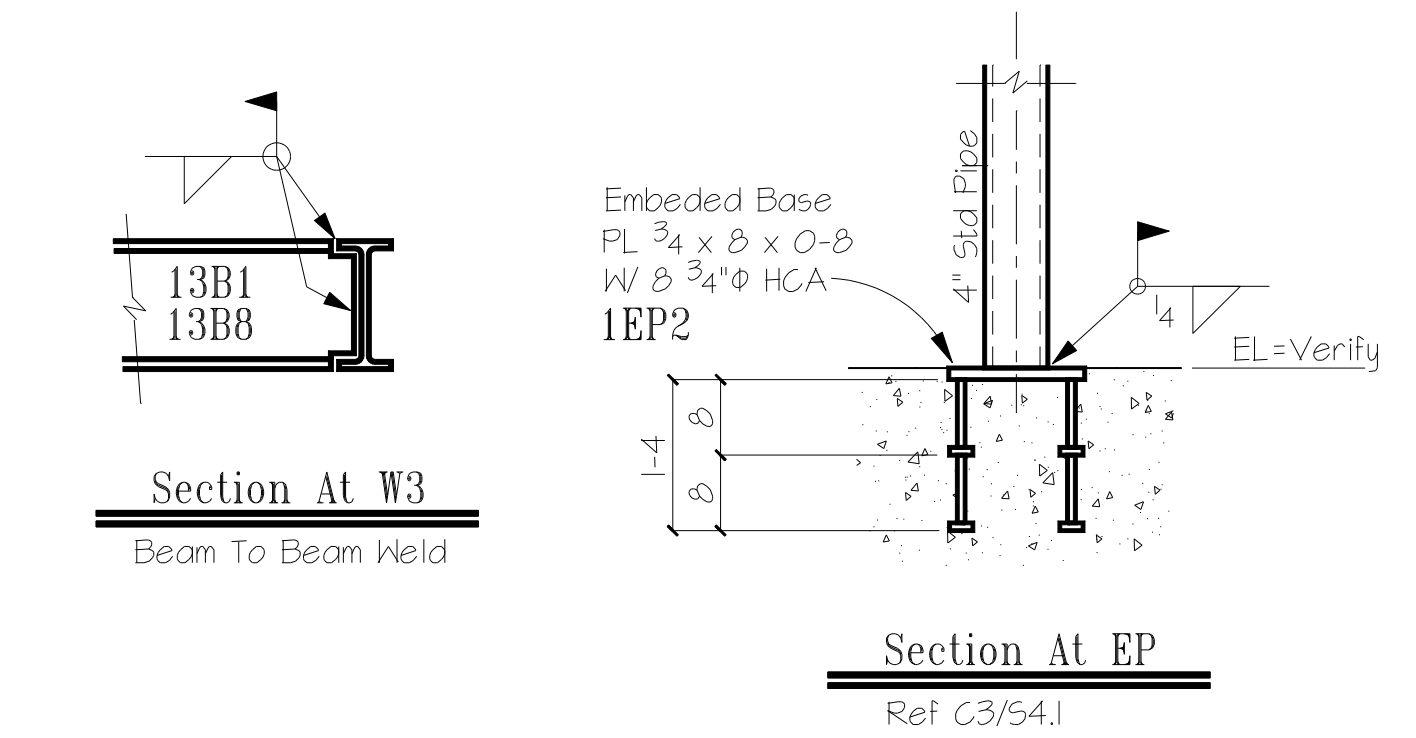
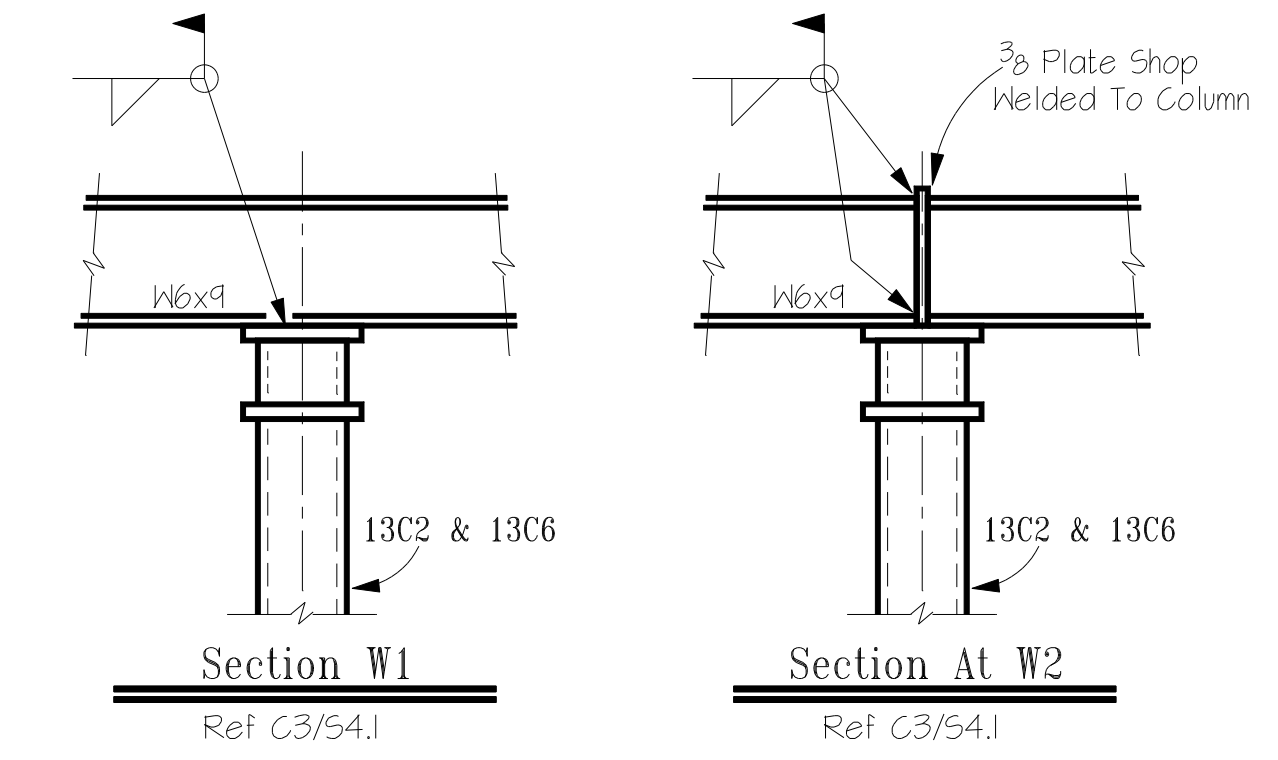
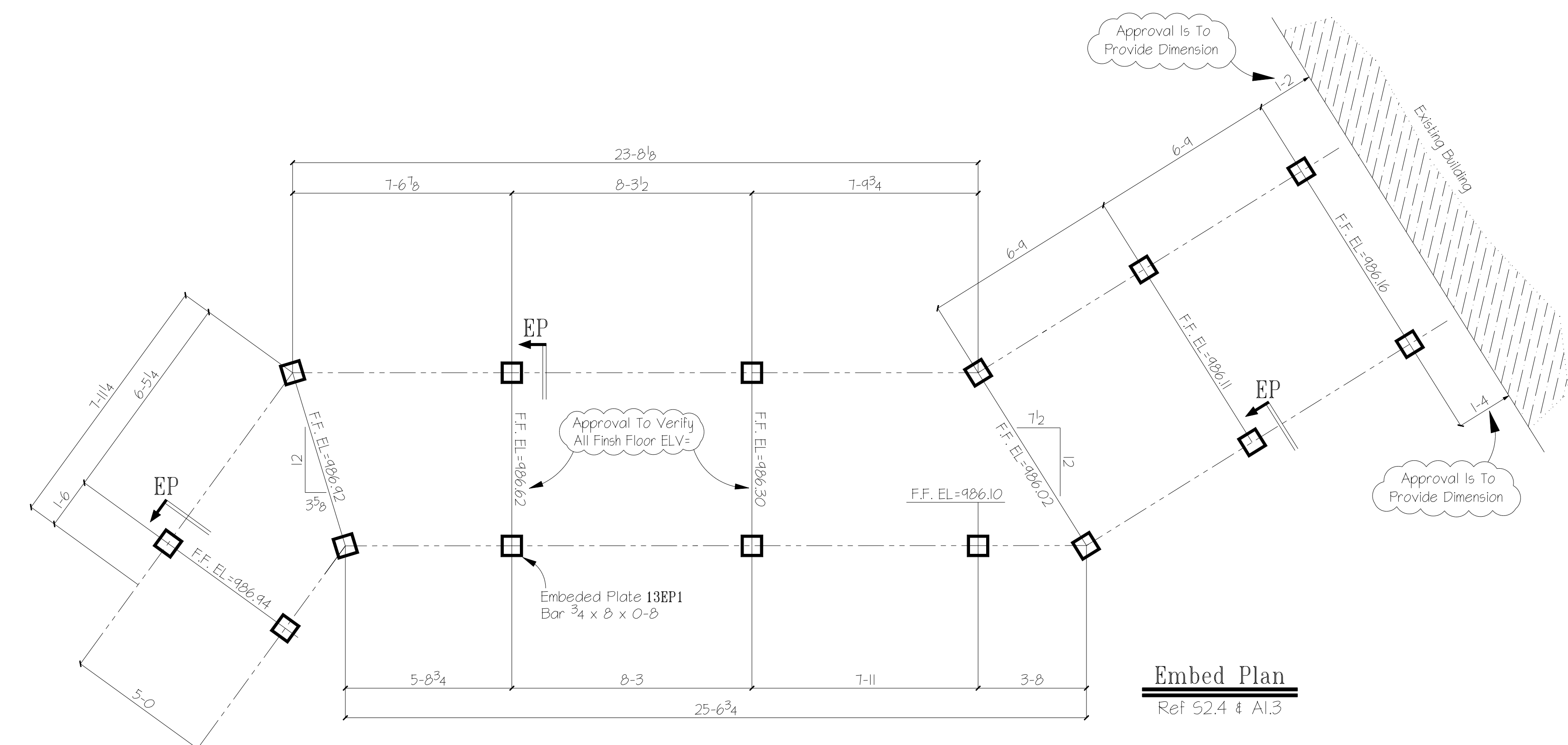


Framing Plan
Ref 52.4 & A1.3



15 Base Plate MK: 13EP1
Ref C3/54.1



Embed Plan
Ref 52.4 & A1.3

DESCRIPTION OF REVISIONS MADE TO DRAWING

1			
2			
3			
4			

REF DWG. _____

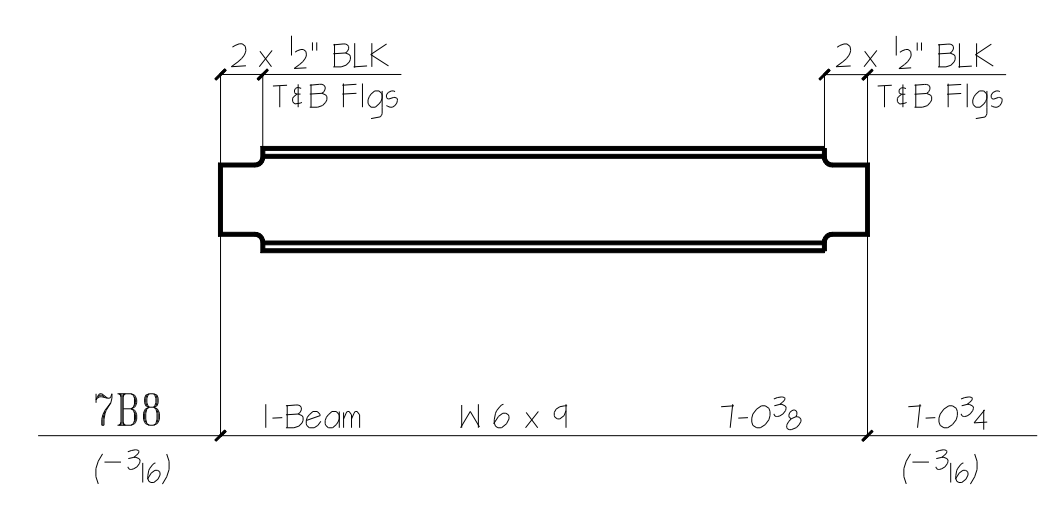
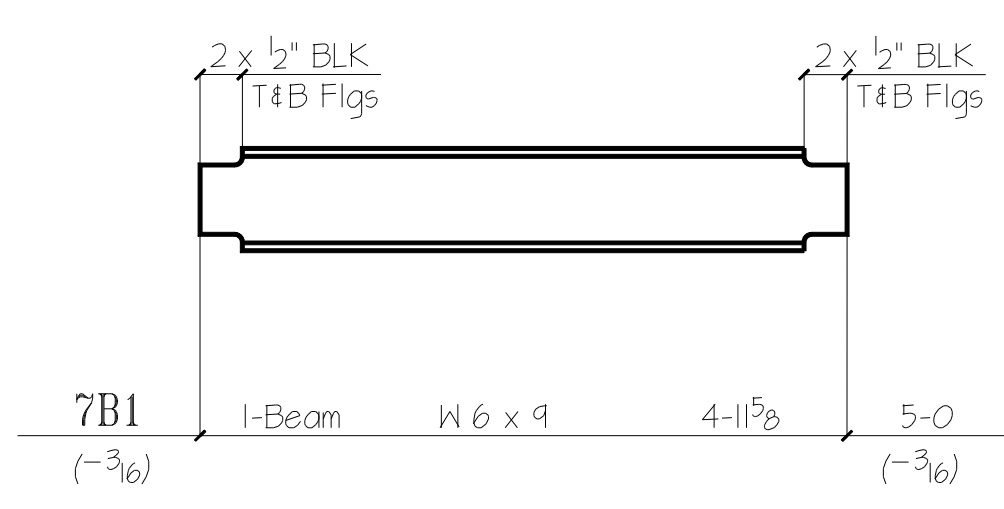
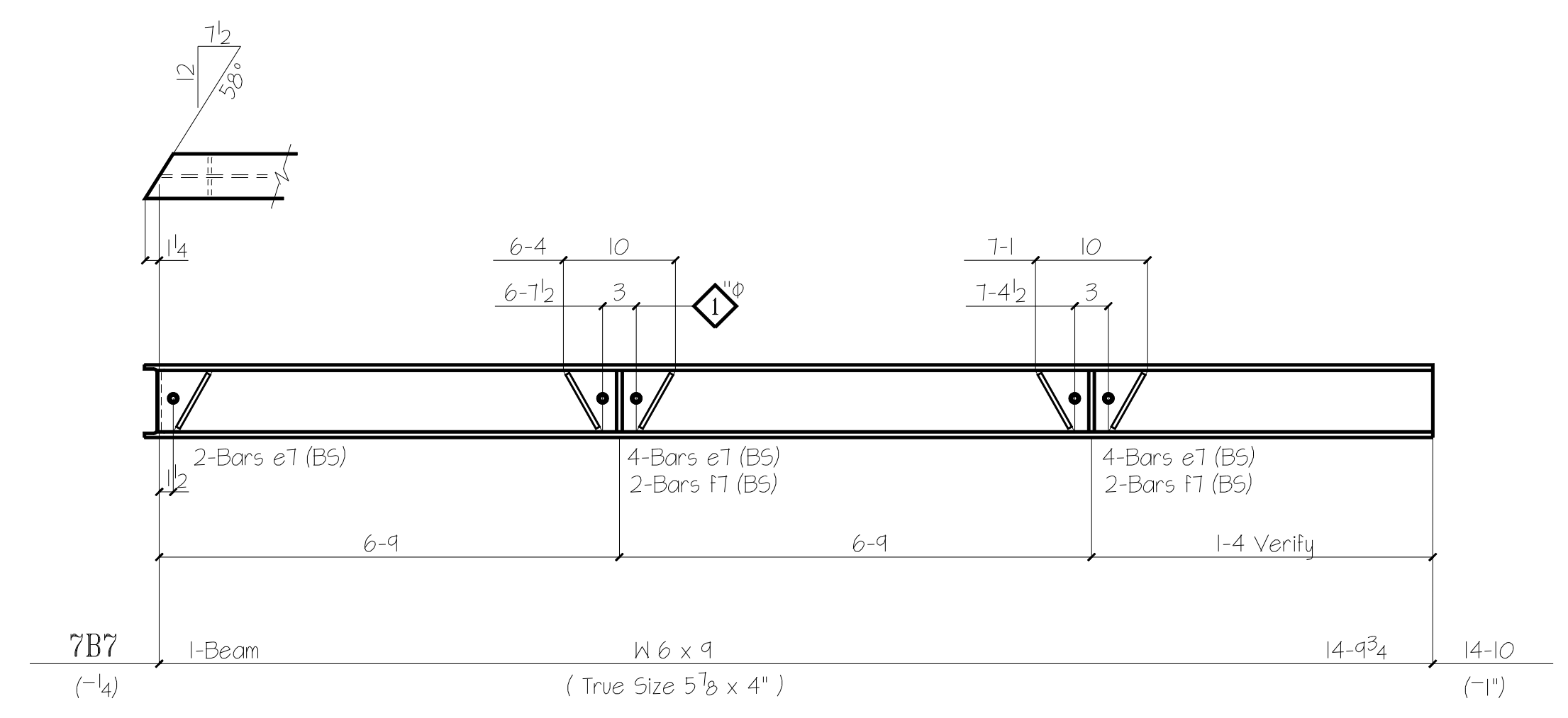
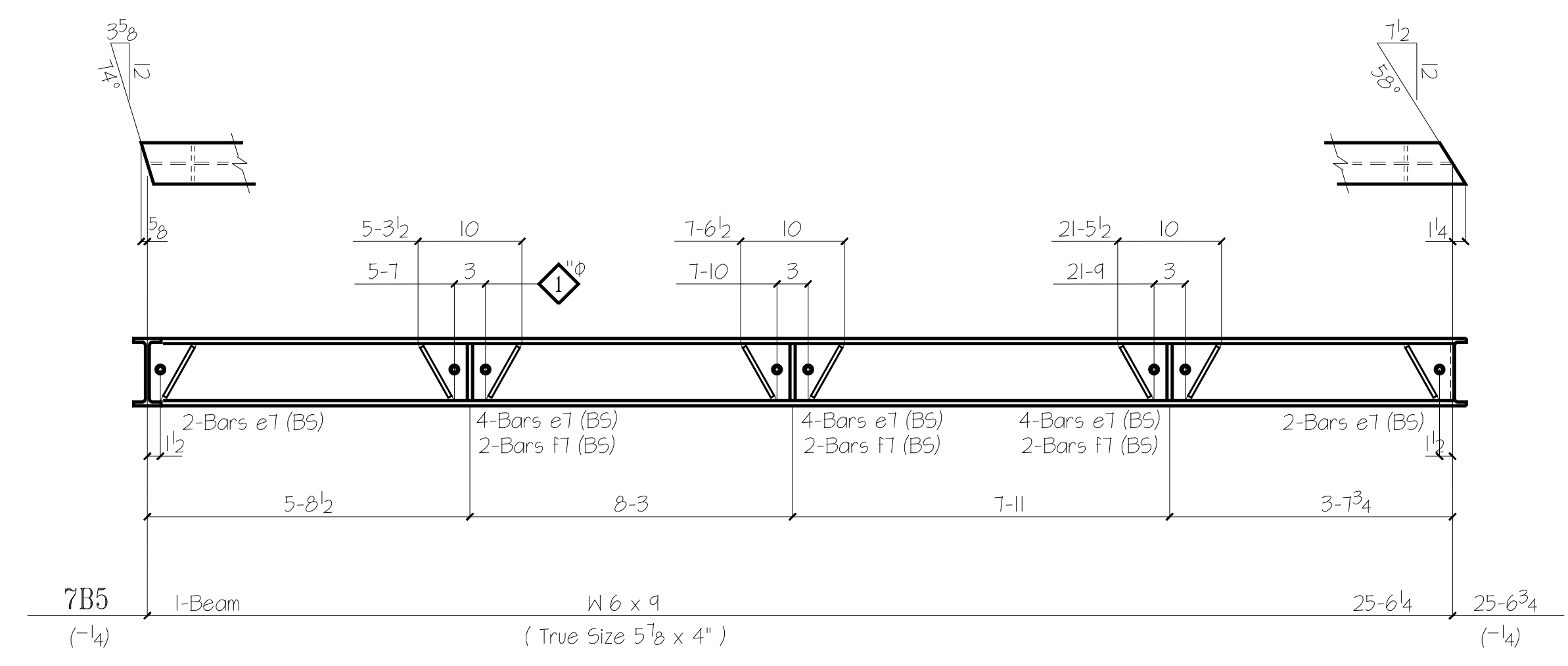
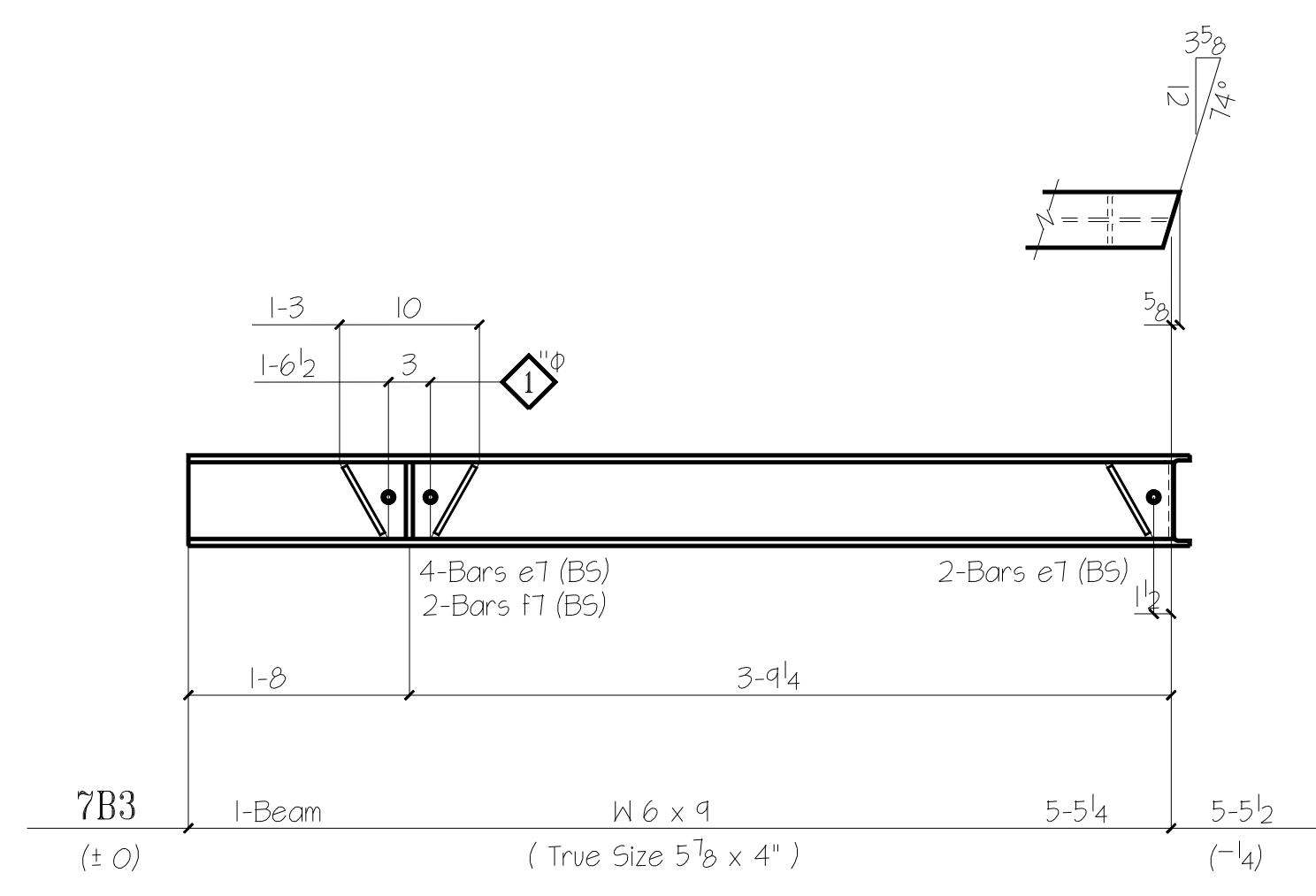
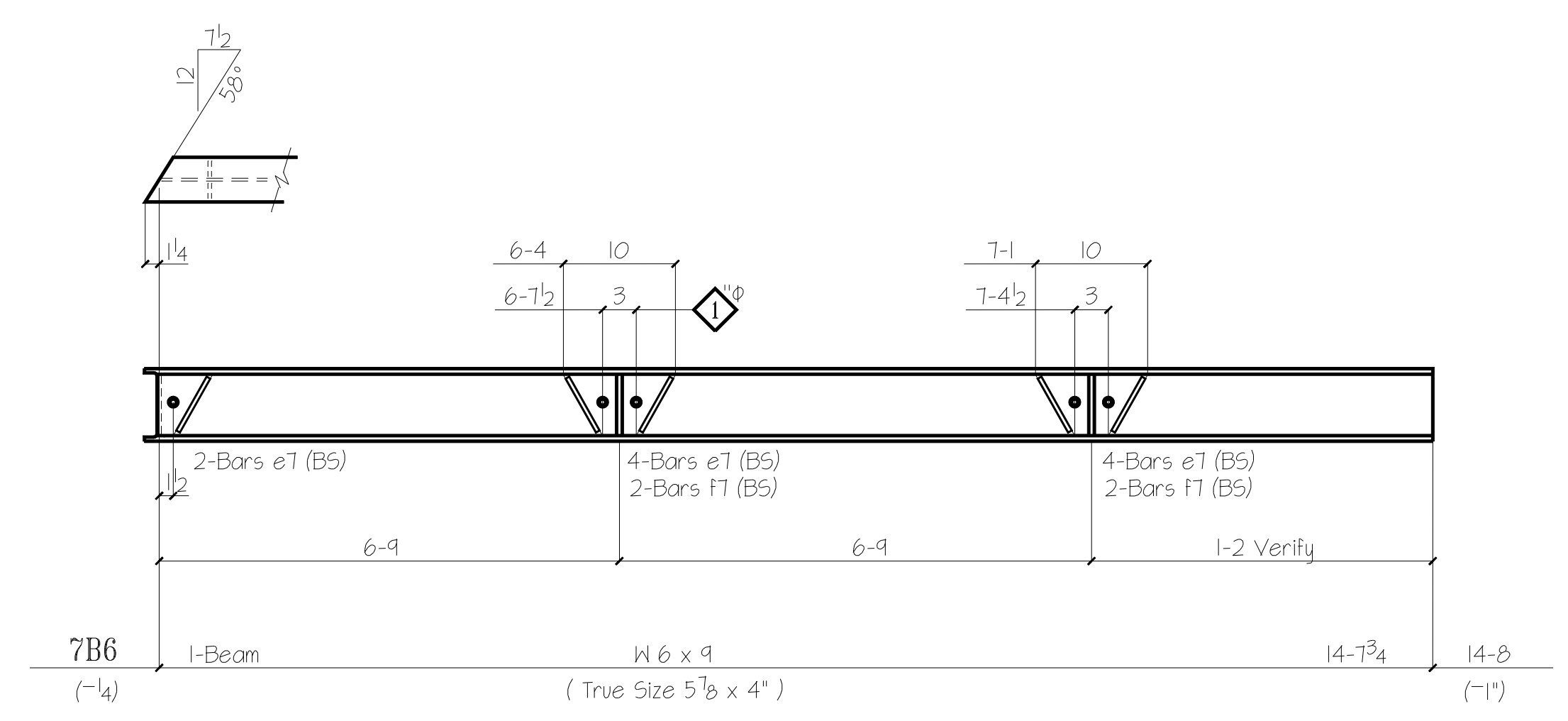
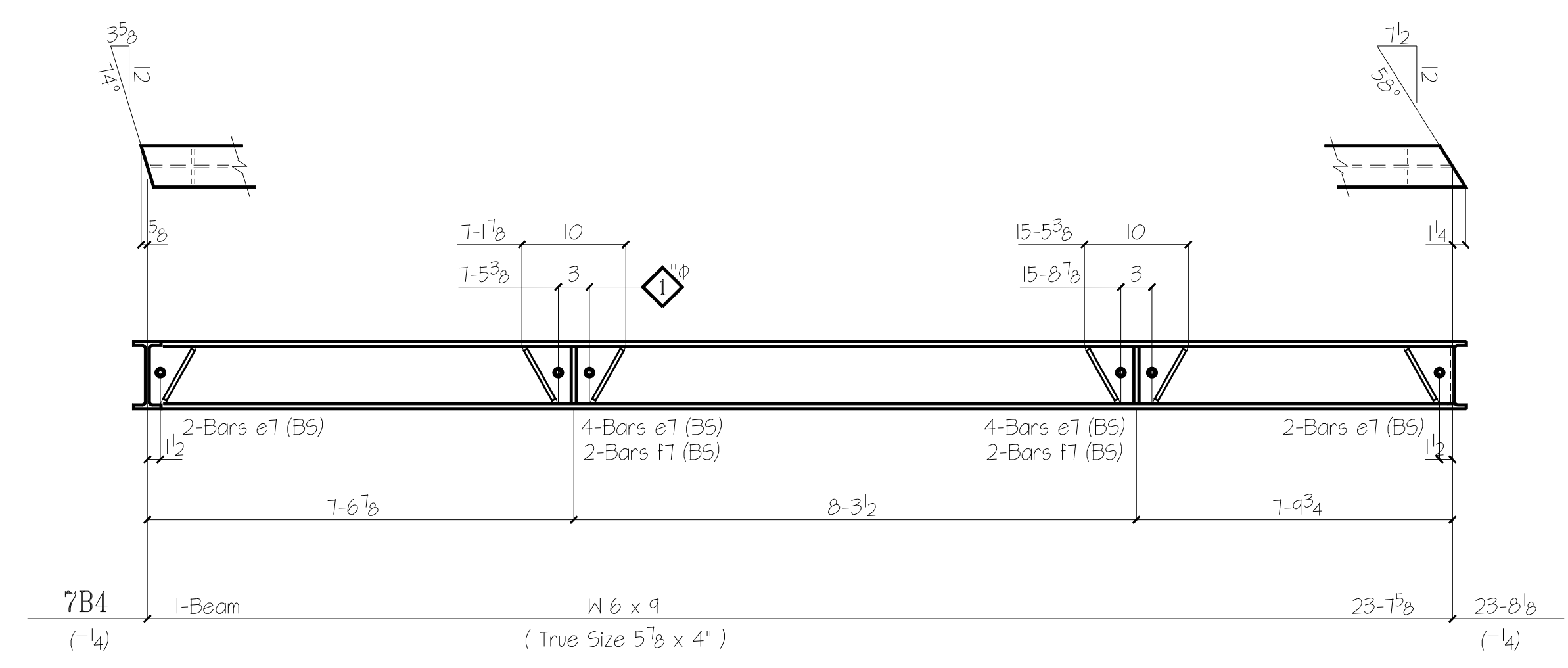
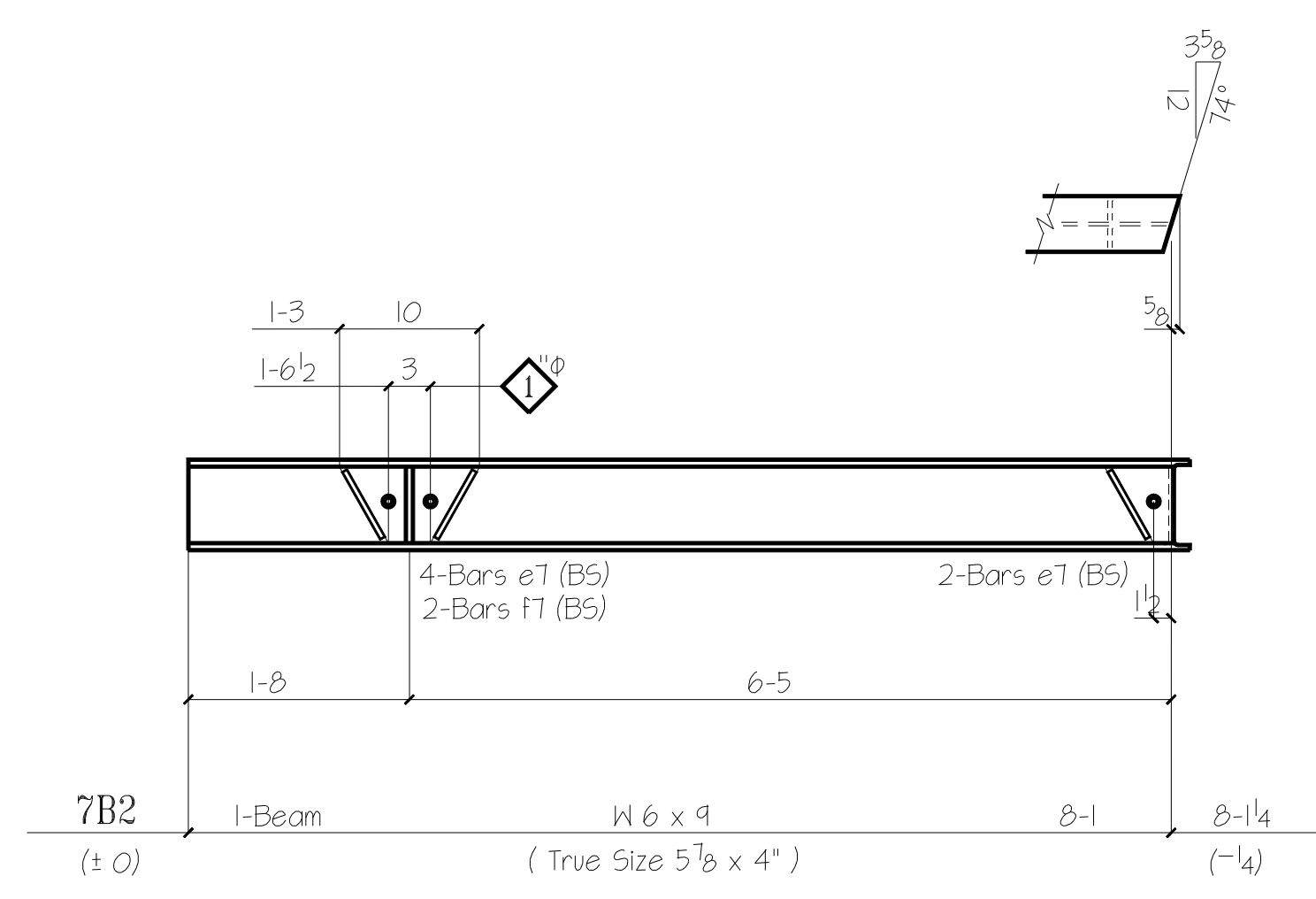
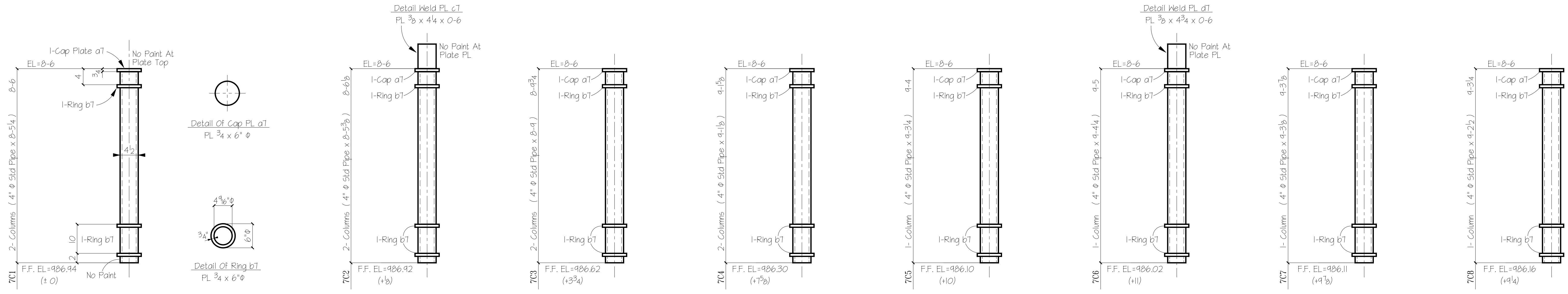
UNLESS NOTED OTHERWISE

1/4" FILLETS	MATERIAL GRADE SHALL BE A36 U.N.O.
	WF SHAPES A492 TUBES A500
	CHANNELS A572 PIPES A501 or A53
13/16" OPEN HOLE	REF SCHEDULE Item # SF-1 S4.1
	COATING One SIC Red Oxide Primer

DETAILS OF Cover Walkway

PROJECT	St Francis
LOCATION	4201 De Zavzlr Road
CUSTOMER	St Francis Assisi Catholic Church
ARCHITECT	O'Neill Conrad Oppelt
ENGINEER	Danjsh & Associates
DETAIL	DY 3-24-08
SHOP CODE	
SHEET #	E 7
REV #	

CHK.R _____
FN= francis_walkway_E07.dwg



- DESCRIPTION OF REVISIONS MADE TO DRAWING -	
1	
2	
3	
4	
REF DWG. _____	

- UNLESS NOTED OTHERWISE -	
1/4" FILLETS	MATERIAL GRADE SHELL BE <u>A36</u> U.N.O.
	WF SHAPES <u>A492</u> TUBES <u>A500</u>
	CHANNELS <u>A512</u> PIPEs <u>A501 or A53</u>
13/16" OPEN HOLE	REF SCHEDULE <u>Item # SF-1 S4.1</u>
	COATING <u>One S/C Red Oxide Primer</u>

DETAILS OF <u>Cover Walkway</u>			
PROJECT	<u>St Francis</u>		
LOCATION	<u>4201 De Zavzlr Road</u>		
CUSTOMER	<u>St Francis Assisi Catholic Church</u>		
ARCHITECT	<u>O'Neill Conrad Oppelt</u>		
ENGINEER	<u>Dangsh & Associates</u>		
DETAIL	<u>DY</u>	SHOP CODE	SHEET #
CHK.R	<u>Francis</u>		<u>D 7</u>
FN= francis_walkway_E07.dwg			