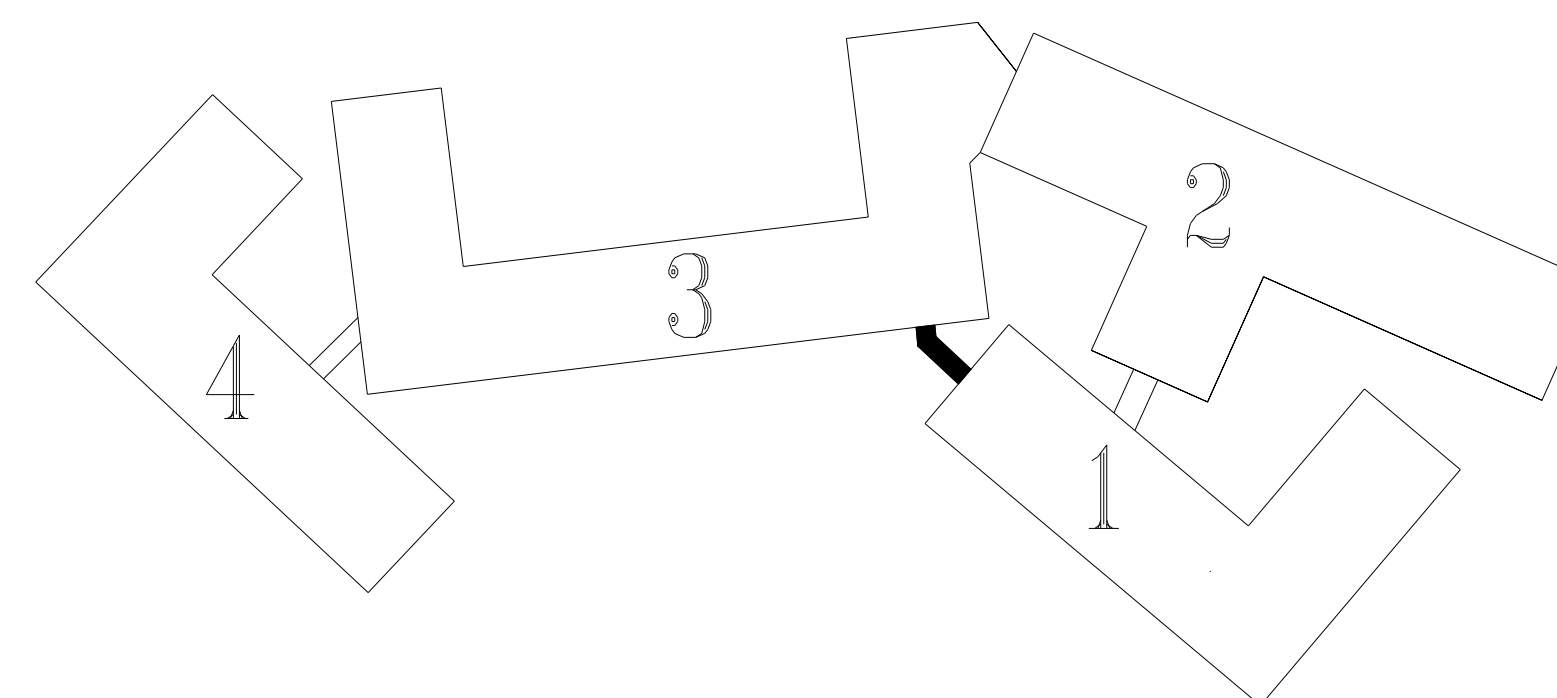
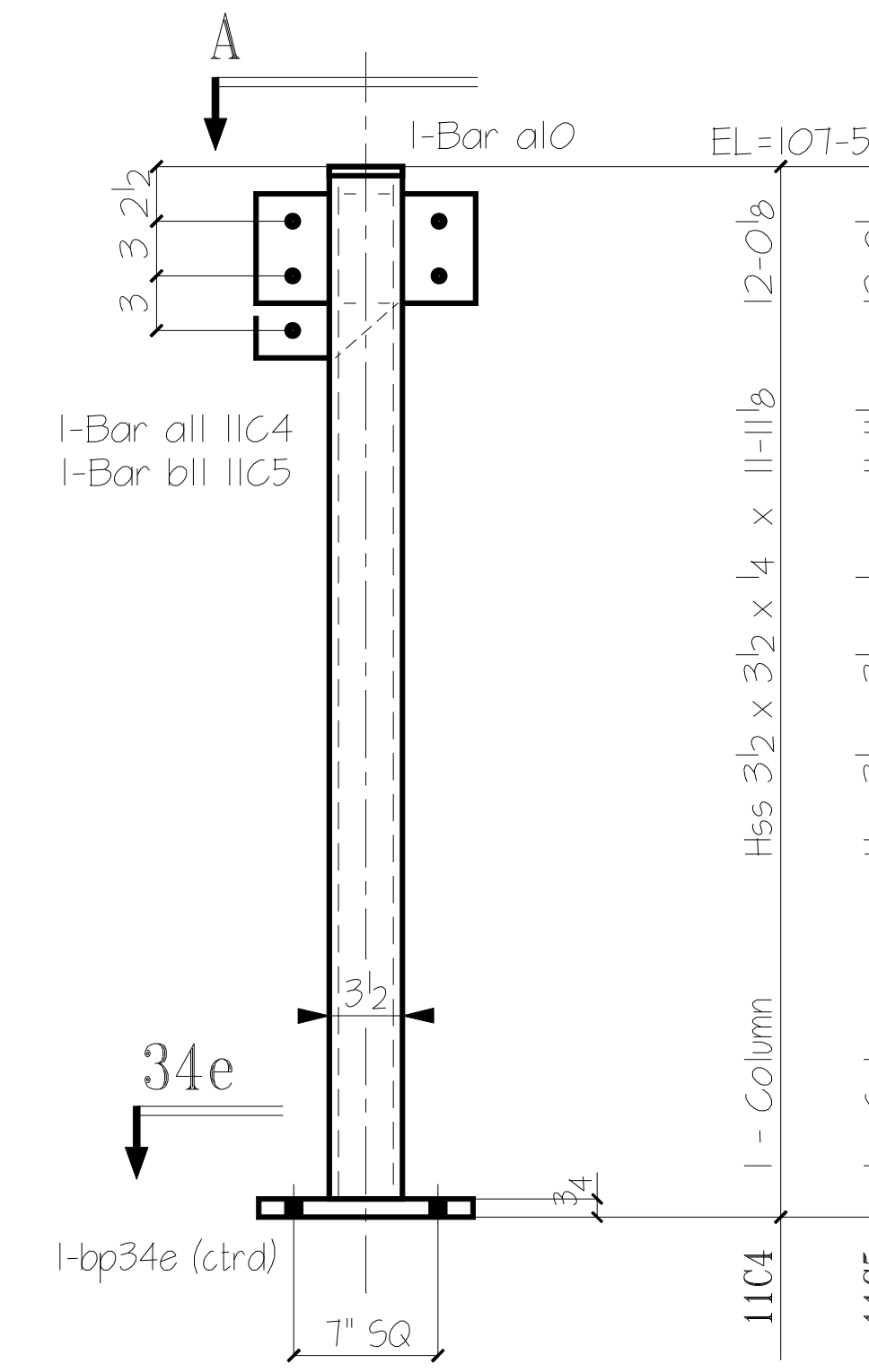
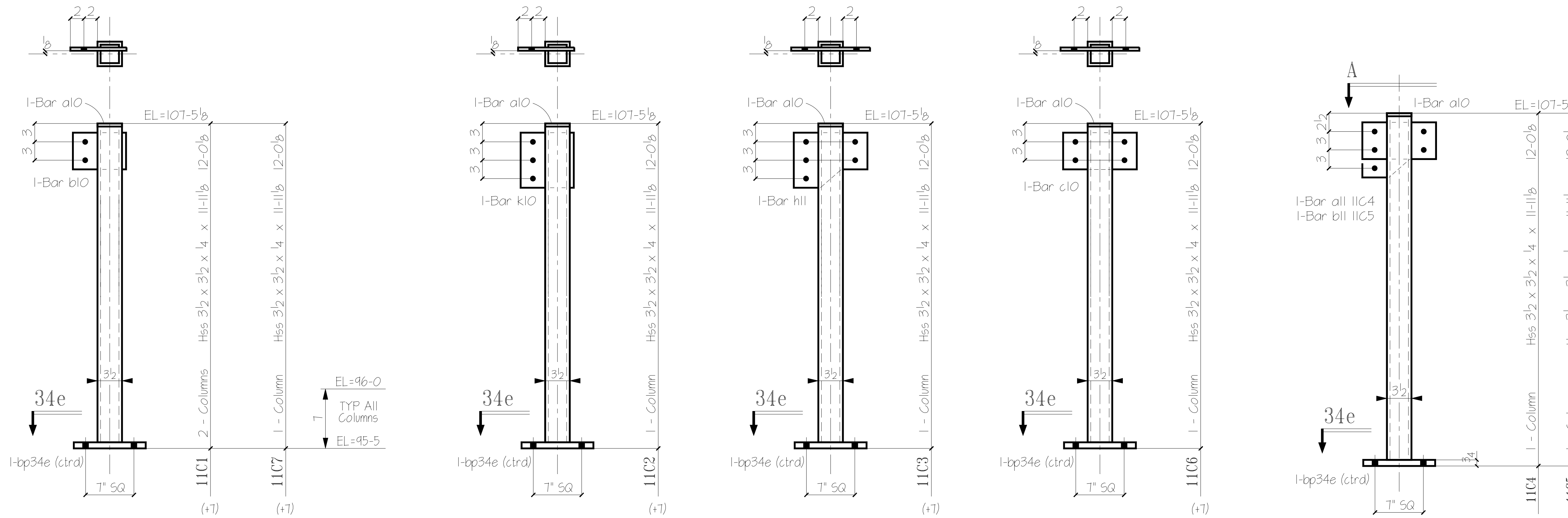


2nd Floor - Bridge # 13
 Top of Beam EL=107-5 1/8 Ref S411

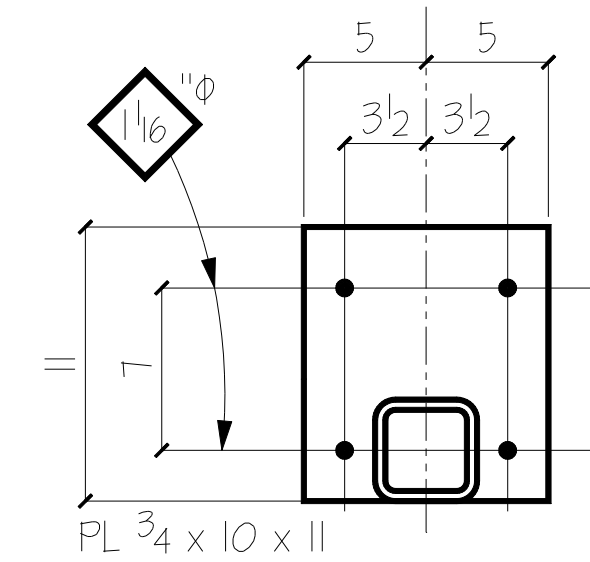


Bridge Plan Map

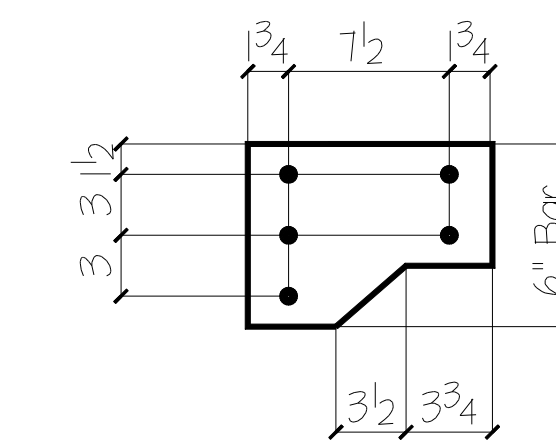


| | | | | | |
|----------|---------|-----------|------------|-----------|----------|
| 11B1 | I-BEAM | W 10 x 12 | ? | 7'-8 1/4" | ? |
| (-2 1/4) | | | | | |
| 11B2 | I-BEAM | W 10 x 12 | 5'-4 1/4" | 5'-8 3/4" | (-2 1/4) |
| (-2 1/4) | | | | | |
| 11B3 | 2-BEAMs | W 10 x 12 | 4'-10 1/4" | 5'-2 3/4" | (-2 1/4) |
| (-2 1/4) | | | | | |

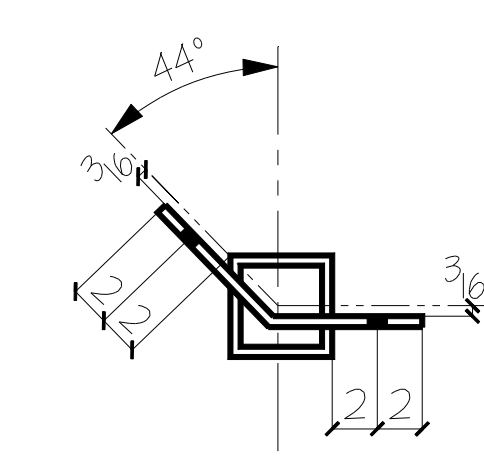
| | | | | | |
|----------|--------|-----------|-----------|------------|----------|
| 11B4 | I-BEAM | W 12 x 14 | ? | 10'-3 5/8" | ? |
| (-2 1/4) | | | | | |
| 11B5 | I-BEAM | W 12 x 14 | 8'-0 3/4" | 8'-5 1/4" | (-2 1/4) |
| (-2 1/4) | | | | | |



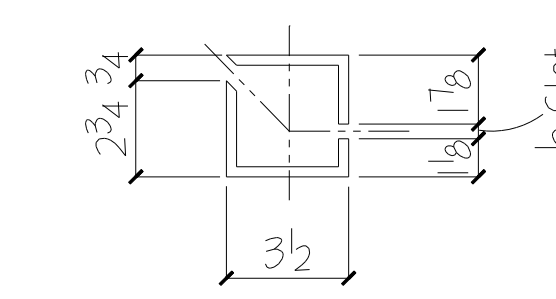
Base PL's bp34e
HSS 3 1/2 x 4" Columns



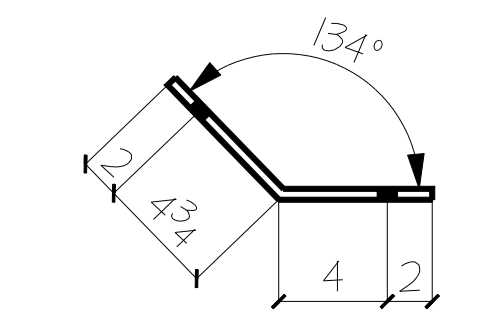
Detail of Bar h11
Bar 3 3/8 x 9 x 11



Sect A



Slot Cut



Detail of Bent PL

all - Bar 3 3/8 x 6 x 1-0 3/4
b11 - Bar 3 3/8 x 9 x 1-0 3/4

- UNLESS NOTED OTHERWISE -

13/16" Ø OPEN HOLES 3/16 FILLET WELD

COATING One S/C Red Oxide Primer

MATERIAL GRADE SHELL BE A36 U.N.O.
WF SHAPES A992 TUBES A500
CHANNELS A36 PIPES A53

REF DWG A3 & E4
FN- Market-BRDO.dwg

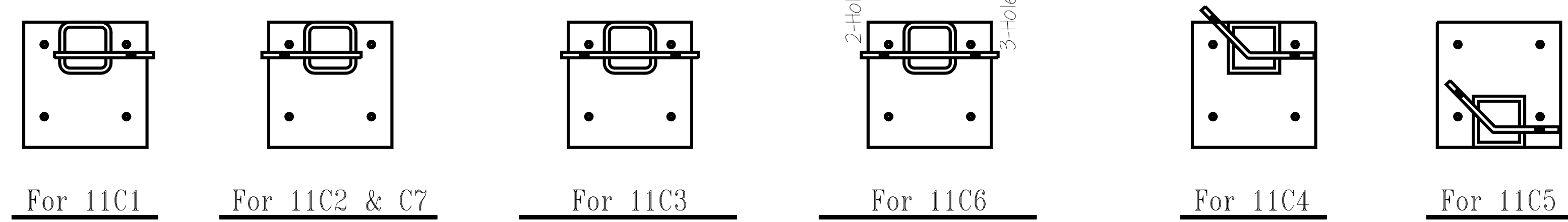
TS STEEL FABRICATORS

DETAILS OF PROJECT Bridge # 13 Parts
Market Station

LOCATION
CUSTOMER
ARCHITECT
ENGINEER

DETAIL DY 9-10-08 DATE APP'VD
CHK.R tsd 10-13-08 10-7-08
REV# 1 JOB # 1160
DWG # D11

| MARK | QTY | DESCRIPTION | LENGTH |
|-------|-----|-------------------------|-----------|
| 11C1 | 2 | HSS 3 1/2 x 3 1/2 x 1/4 | 11-11 1/8 |
| bp34e | 2 | Bar 3/4 x 10 | 0-11 |
| a10 | 2 | Bar 1/4 x 3 1/2 | 0-3 1/2 |
| b10 | 2 | Bar 3/8 x 6 | 0-8 |
| 11C2 | 1 | HSS 3 1/2 x 3 1/2 x 1/4 | 11-11 1/8 |
| bp34e | 1 | Bar 3/4 x 10 | 0-11 |
| a10 | 1 | Bar 1/4 x 3 1/2 | 0-3 1/2 |
| k10 | 1 | Bar 3/8 x 8 | 0-9 |
| 11C3 | 1 | HSS 3 1/2 x 3 1/2 x 1/4 | 11-11 1/8 |
| bp34e | 1 | Bar 3/4 x 10 | 0-11 |
| a10 | 1 | Bar 1/4 x 3 1/2 | 0-3 1/2 |
| h11 | 1 | Bar 3/8 x 9 | 1-0 |
| 11C4 | 1 | HSS 3 1/2 x 3 1/2 x 1/4 | 11-11 1/8 |
| bp34e | 1 | Bar 3/4 x 10 | 0-11 |
| a10 | 1 | Bar 1/4 x 3 1/2 | 0-3 1/2 |
| a11 | 1 | Bar 3/8 x 6 | 1-0 3/4 |
| 11C5 | 1 | HSS 3 1/2 x 3 1/2 x 1/4 | 11-11 1/8 |
| bp34e | 1 | Bar 3/4 x 10 | 0-11 |
| a10 | 1 | Bar 1/4 x 3 1/2 | 0-3 1/2 |
| b11 | 1 | Bar 3/8 x 9 | 1-0 3/4 |
| 11C6 | 1 | HSS 3 1/2 x 3 1/2 x 1/4 | 11-11 1/8 |
| bp34e | 1 | Bar 3/4 x 10 | 0-11 |
| a10 | 1 | Bar 1/4 x 3 1/2 | 0-3 1/2 |
| c10 | 1 | Bar 3/8 x 6 | 0-11 |
| 11C7 | 1 | HSS 3 1/2 x 3 1/2 x 1/4 | 11-11 1/8 |
| bp34e | 1 | Bar 3/4 x 10 | 0-11 |
| a10 | 1 | Bar 1/4 x 3 1/2 | 0-3 1/2 |
| b10 | 1 | Bar 3/8 x 6 | 0-8 |
| 11B1 | 1 | W 10 x 12 | ? |
| 11B2 | 1 | W 10 x 12 | 5-4 1/4 |
| 11B3 | 2 | W 10 x 12 | 4-10 1/4 |
| 11B4 | 1 | W 12 x 14 | ? |
| 11B5 | 1 | W 12 x 14 | 8-0 3/4 |



For 11C1 For 11C2 & C7 For 11C3 For 11C6 For 11C4 For 11C5

| DESCRIPTION OF REVISIONS MADE TO DRAWING | |
|--|--|
| 3 | |
| 2 | |
| 1 | |