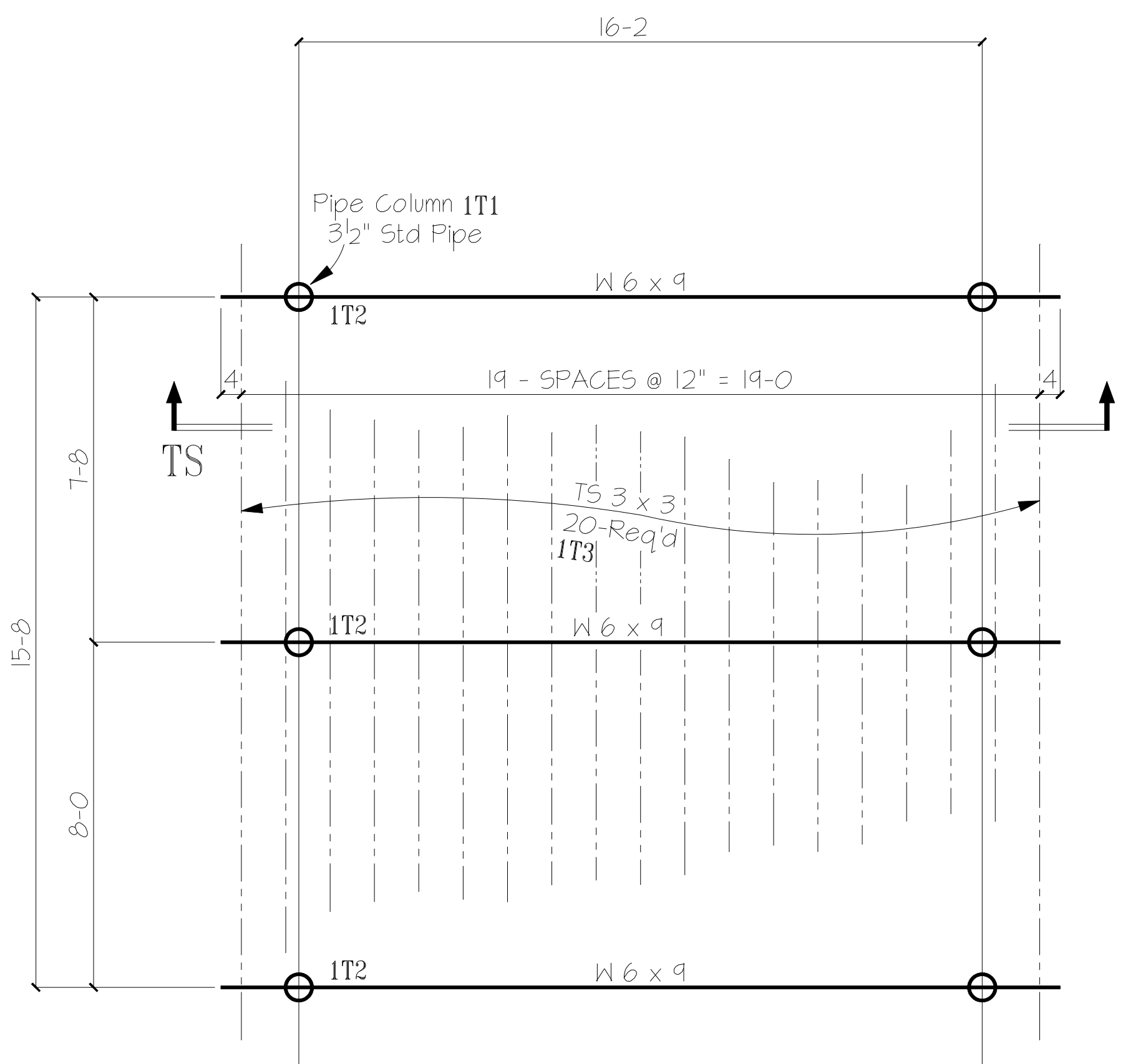
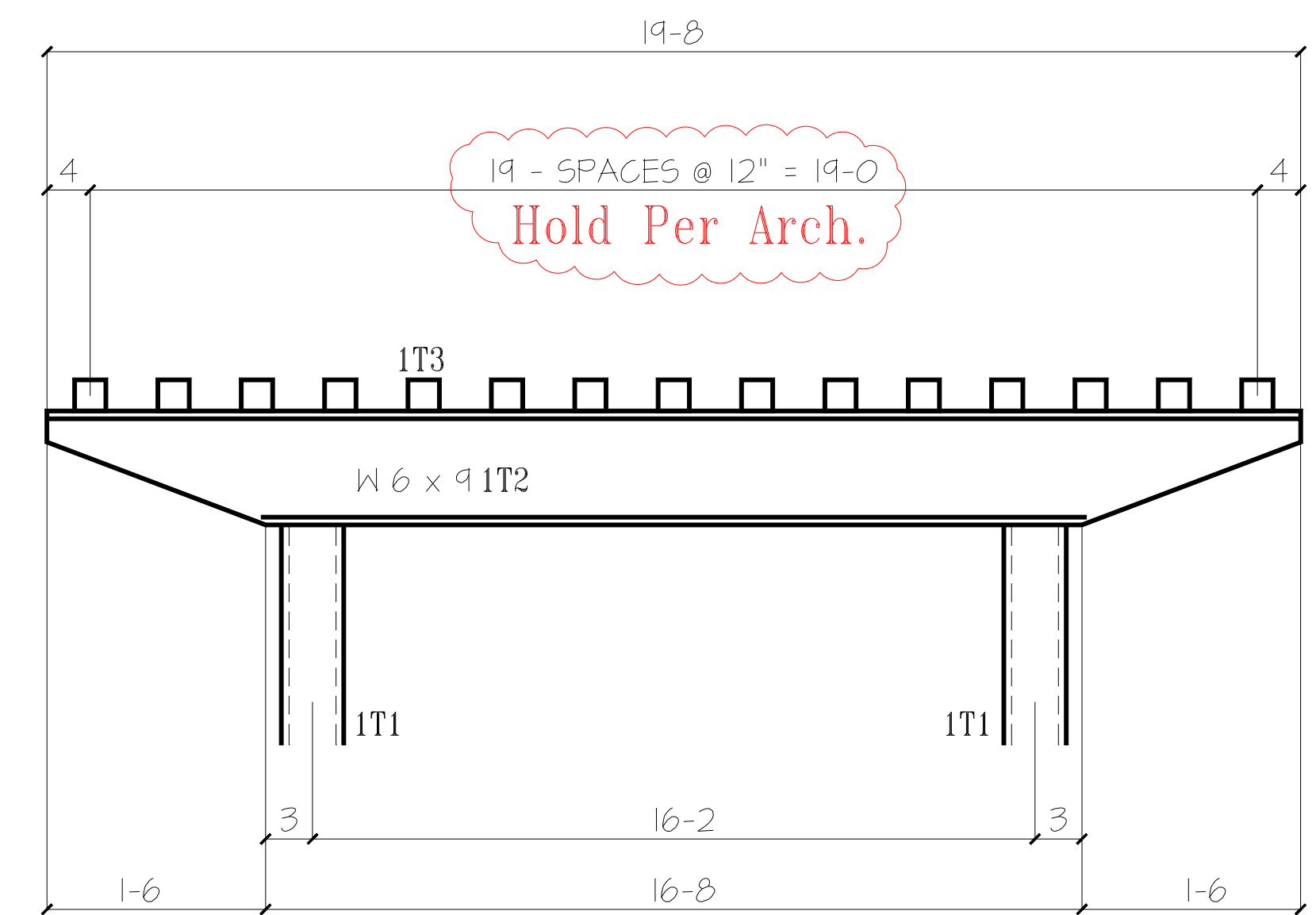


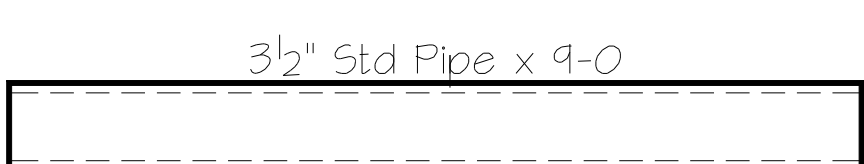
Roof Framing Plan
Ref L102



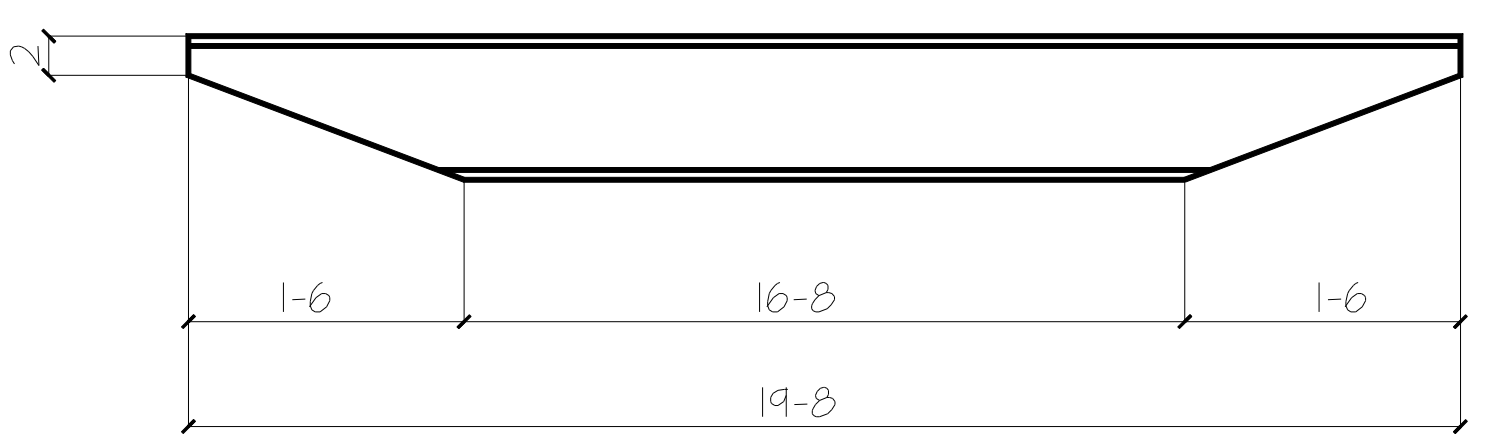
Roof Framing Plan
Ref L102



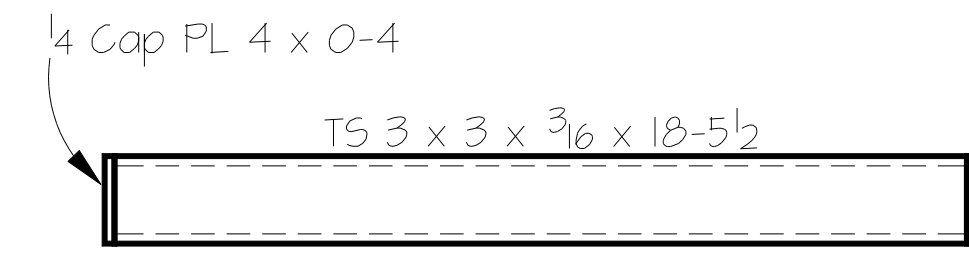
Section TS
Ref L102



6 Columns MK:1T1
Ref E3 # 3/L102 Trellis Canopy



3 Beams MK:1T2
Ref E3 # 3/L102 Trellis Canopy



20 Roof Tubes MK:1T3
Ref E3 # 3/L102 Trellis Canopy
Hold Per Arch.

- DESCRIPTION OF REVISIONS MADE TO DRAWING -	
1	
2	
3	
4	

DETAILS OF Trellis Canopy Framing Plans			
PROJECT	AT&T Science Facility		
LOCATION	1000 W Court Street Seguin Tx		
CUSTOMER	Texas Lutheran University		
ARCHITECT	Carters Burgess		
ENGINEER	Lehmann Engineering		
DETAIL	DY	2-14-08	SHOP CODE
CHK.R			SHEET #
FN= atsc-D0.dwg	AT&T Science	E3	REV #