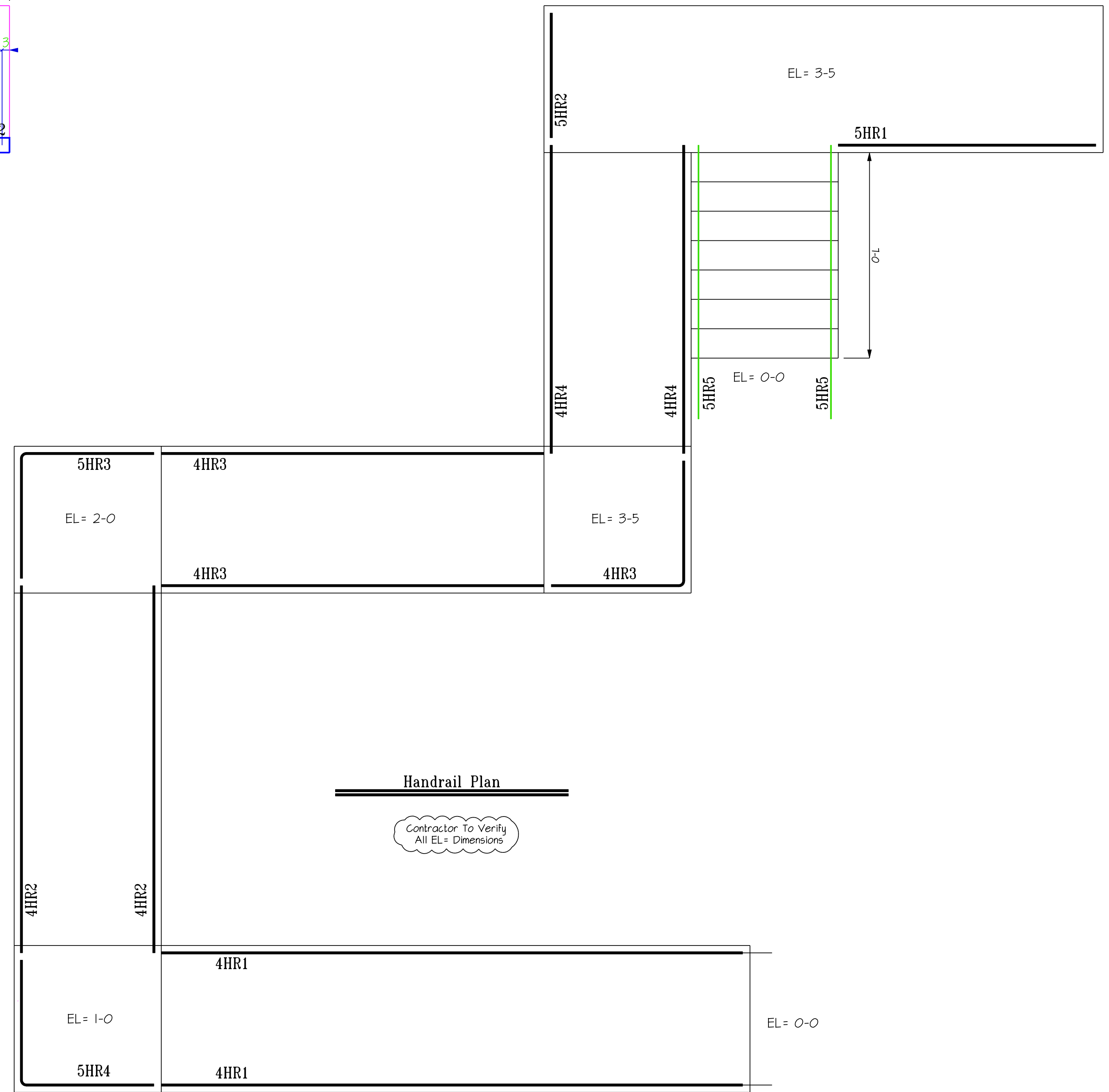


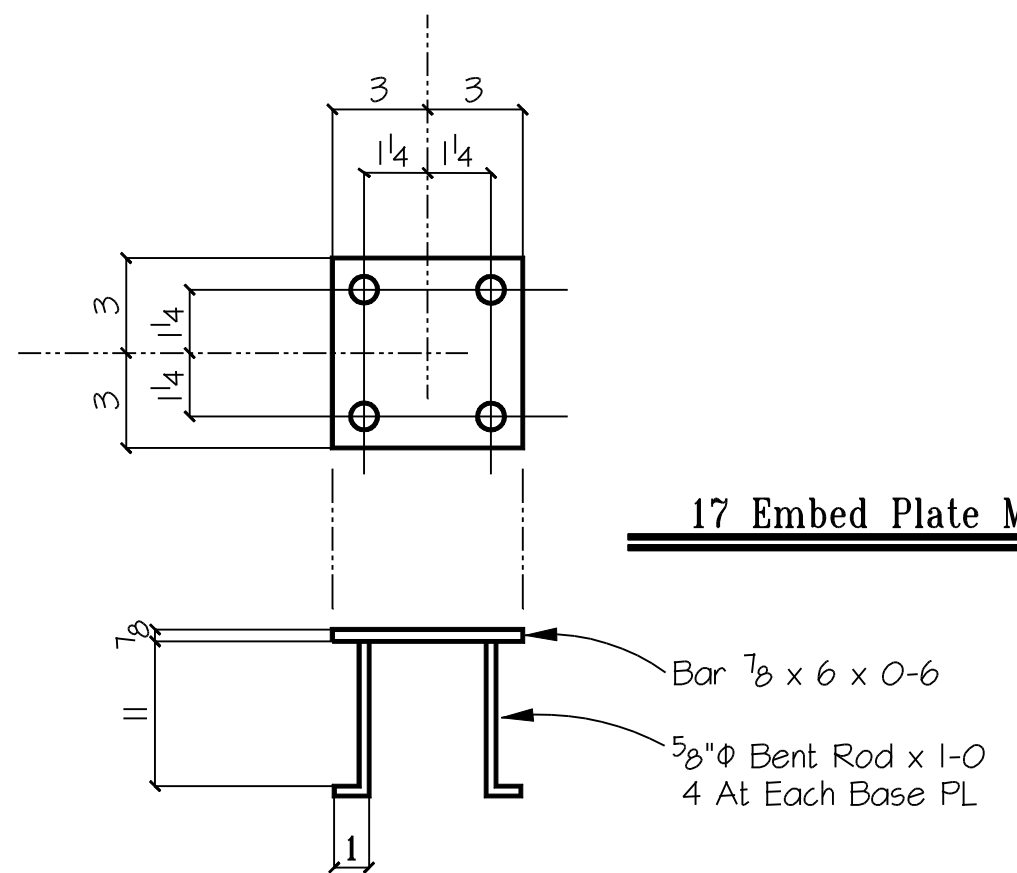
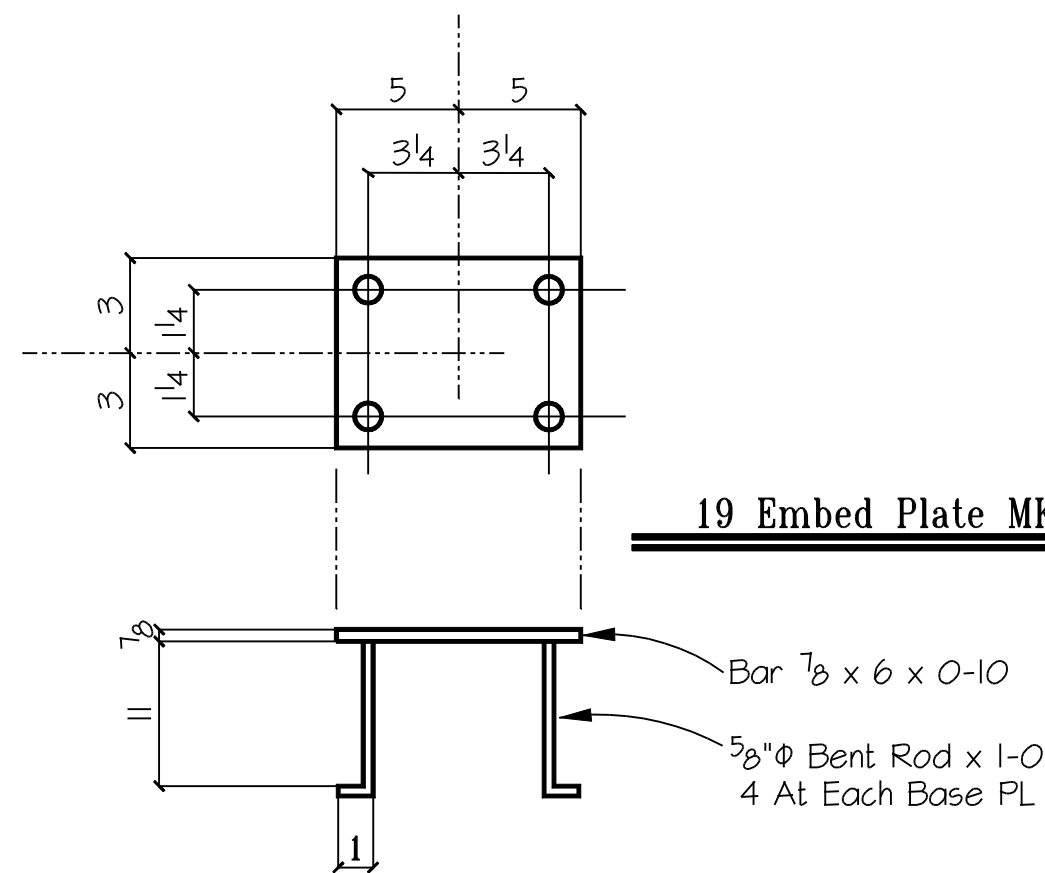
**Embedment Plan**

Contractor To Verify  
All EL+ Dimensions



**Handrail Plan**

Contractor To Verify  
All EL+ Dimensions



- DESCRIPTION OF REVISIONS MADE TO DRAWING -

1		
2		
3		
4		

REF DWG D4, D5 & C6101, S202

- UNLESS NOTED OTHERWISE -

1/4"	FILLETS	MATERIAL GRADE SHELL BE A36 U.N.O.
13/16"	OPEN HOLE	WF SHAPES A992 TUBES A501
		CHANNELS A572 PIPES A501 or A53
		COATING One S/C Red Oxide Primer

**AWF**

DETAILS OF Framing Plans

PROJECT AT&T Science Facility

LOCATION ?

CUSTOMER ?

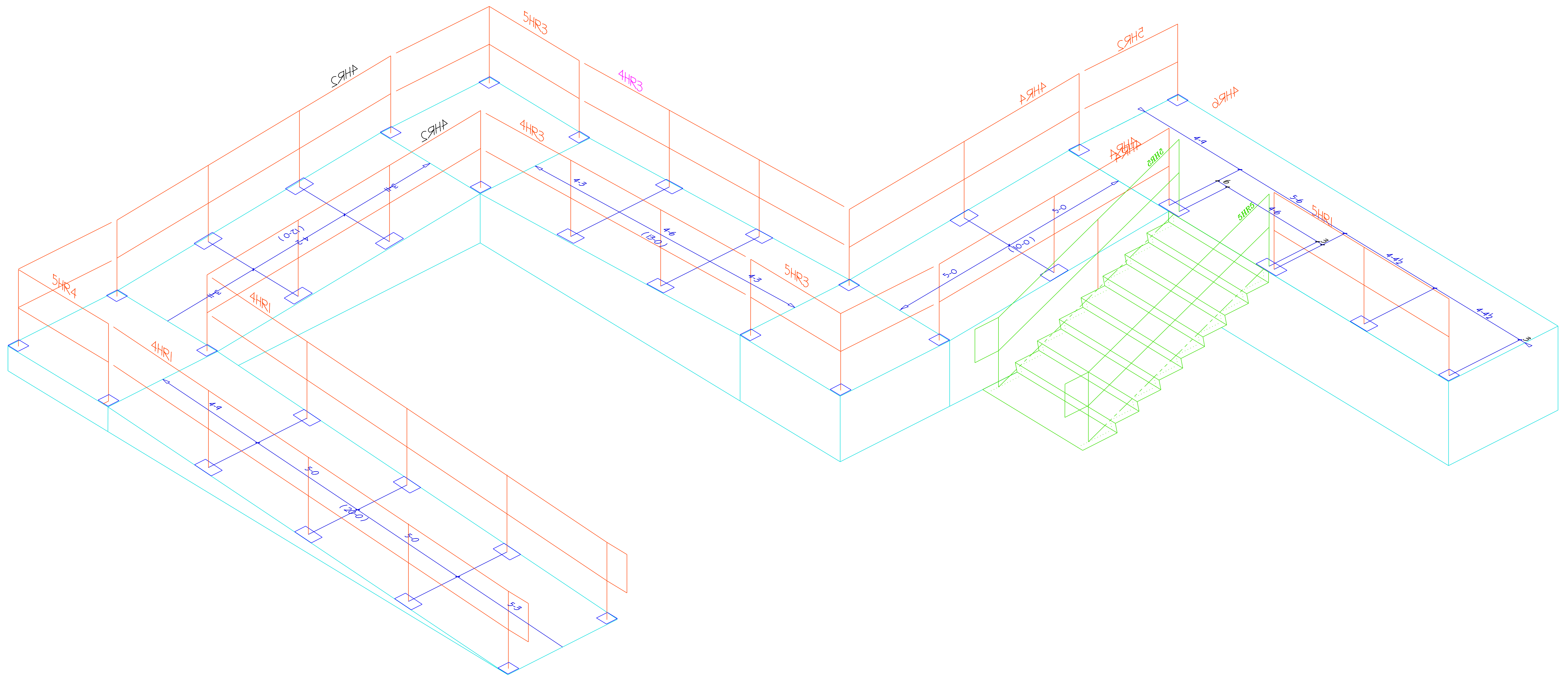
ARCHITECT ?

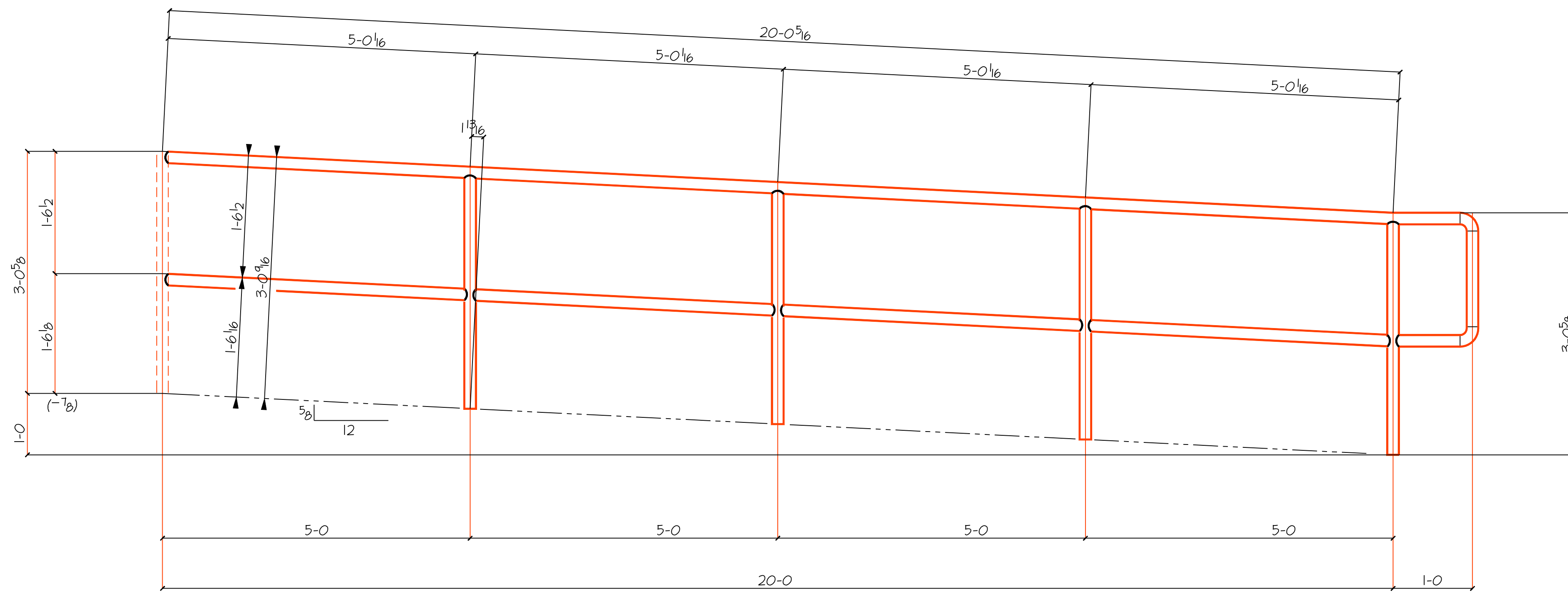
ENGINEER ?

DETAIL DR 1-31-08 SHOP CODE SHEET # REV #

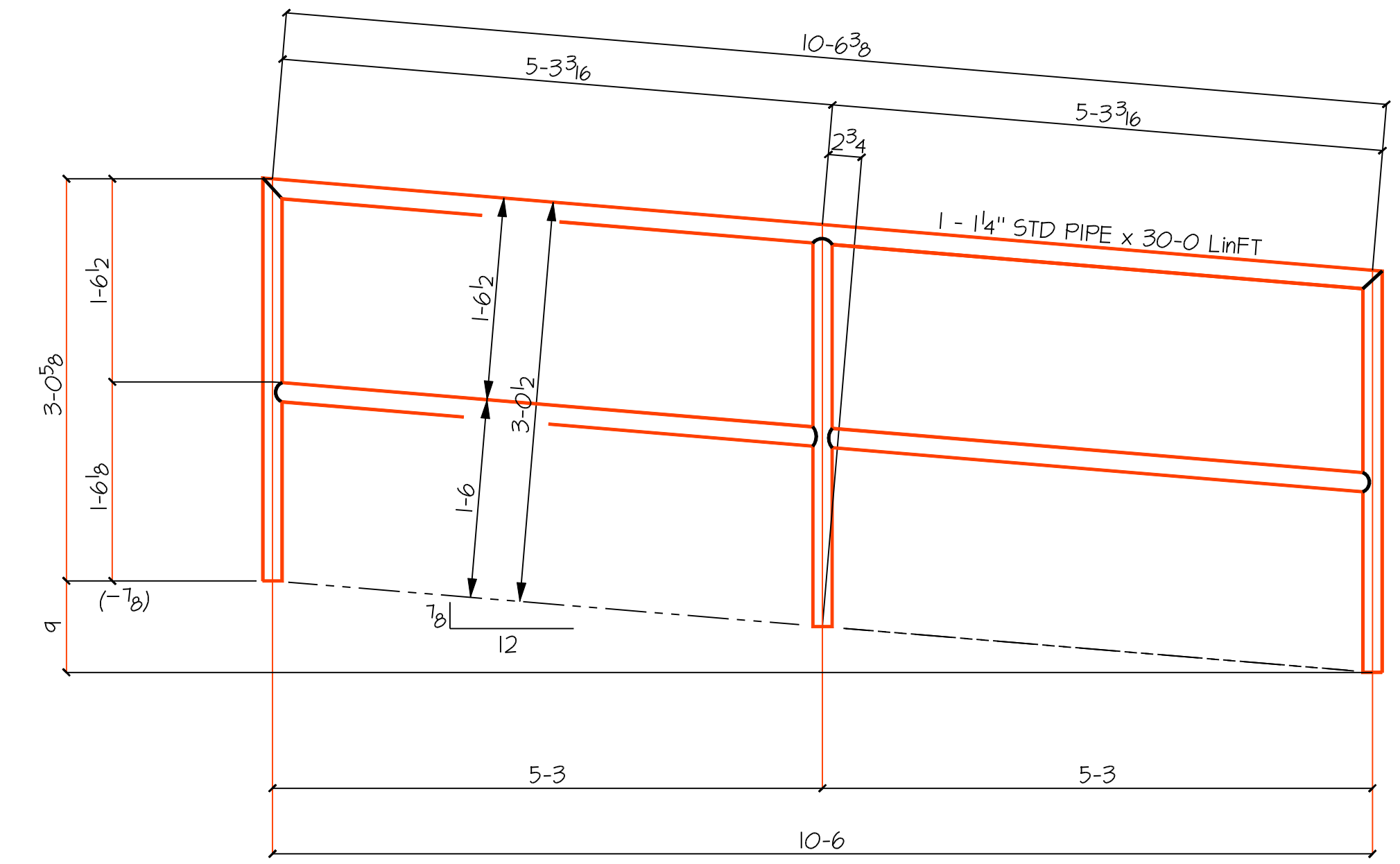
CHK.R AT&T Science **E2**

FN: atsc-D0.dwg

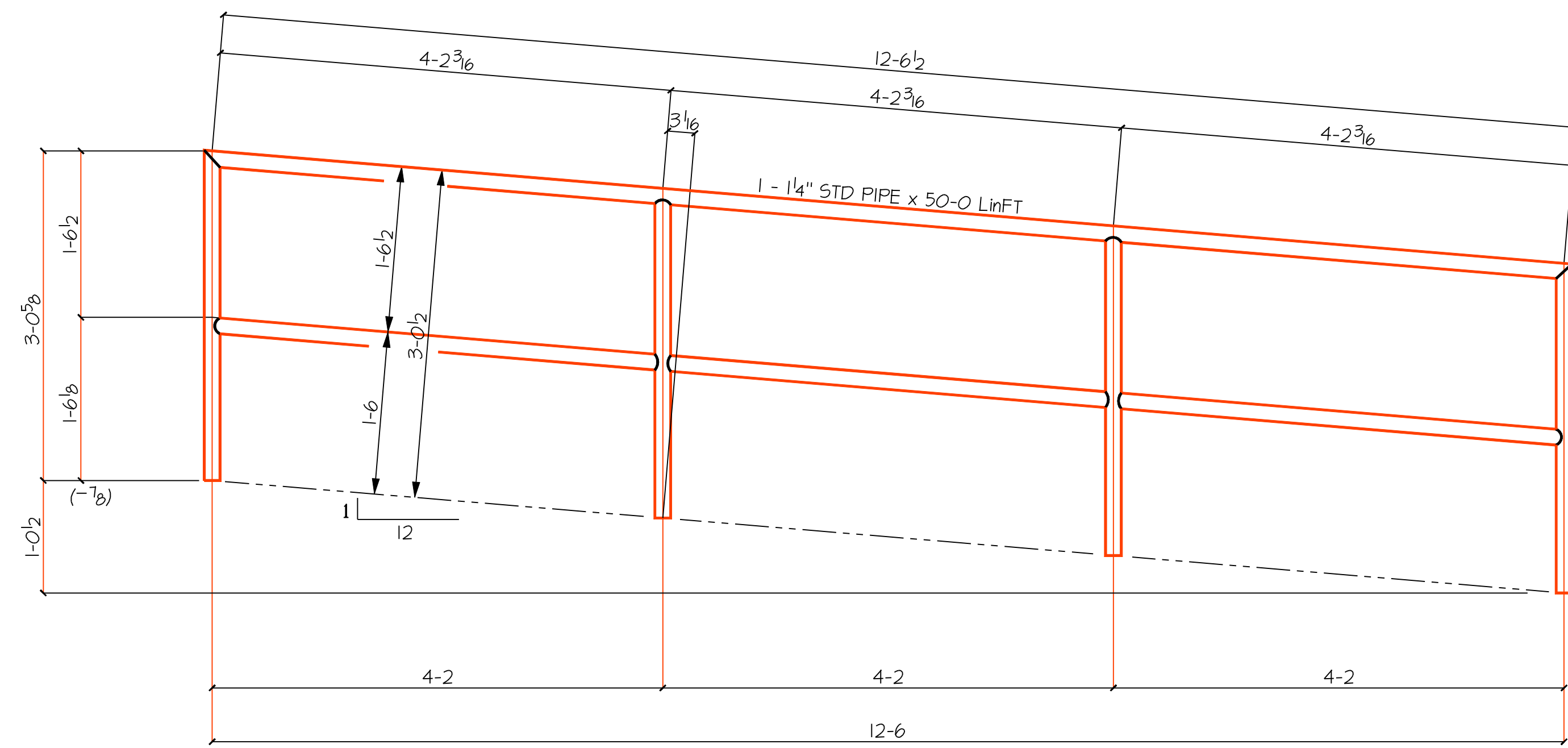




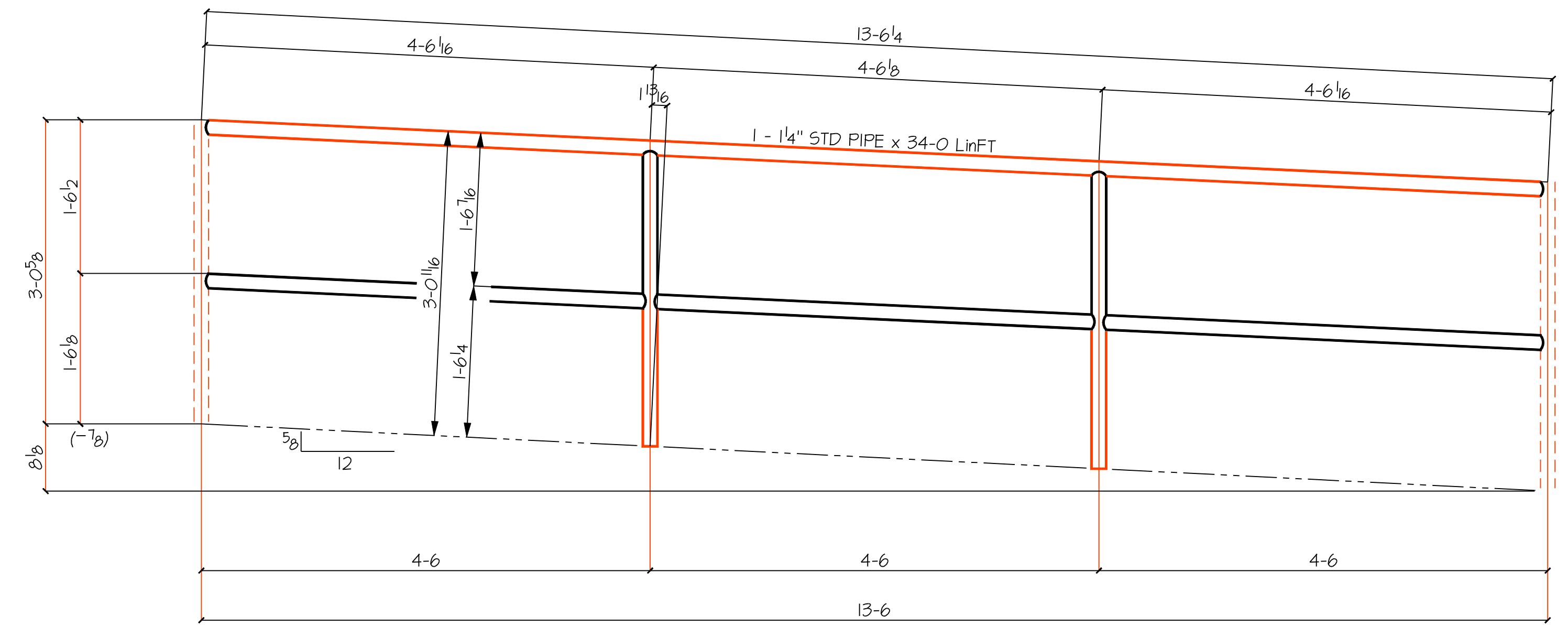
2 Handrail's MK: 4HR1



2 Handrail's MK: 4HR4



2 Handrail's MK: 4HR2



2 Handrail's MK: 4HR3

- DESCRIPTION OF REVISIONS MADE TO DRAWING -	
1	ADD
2	ADD
3	ADD
4	ADD

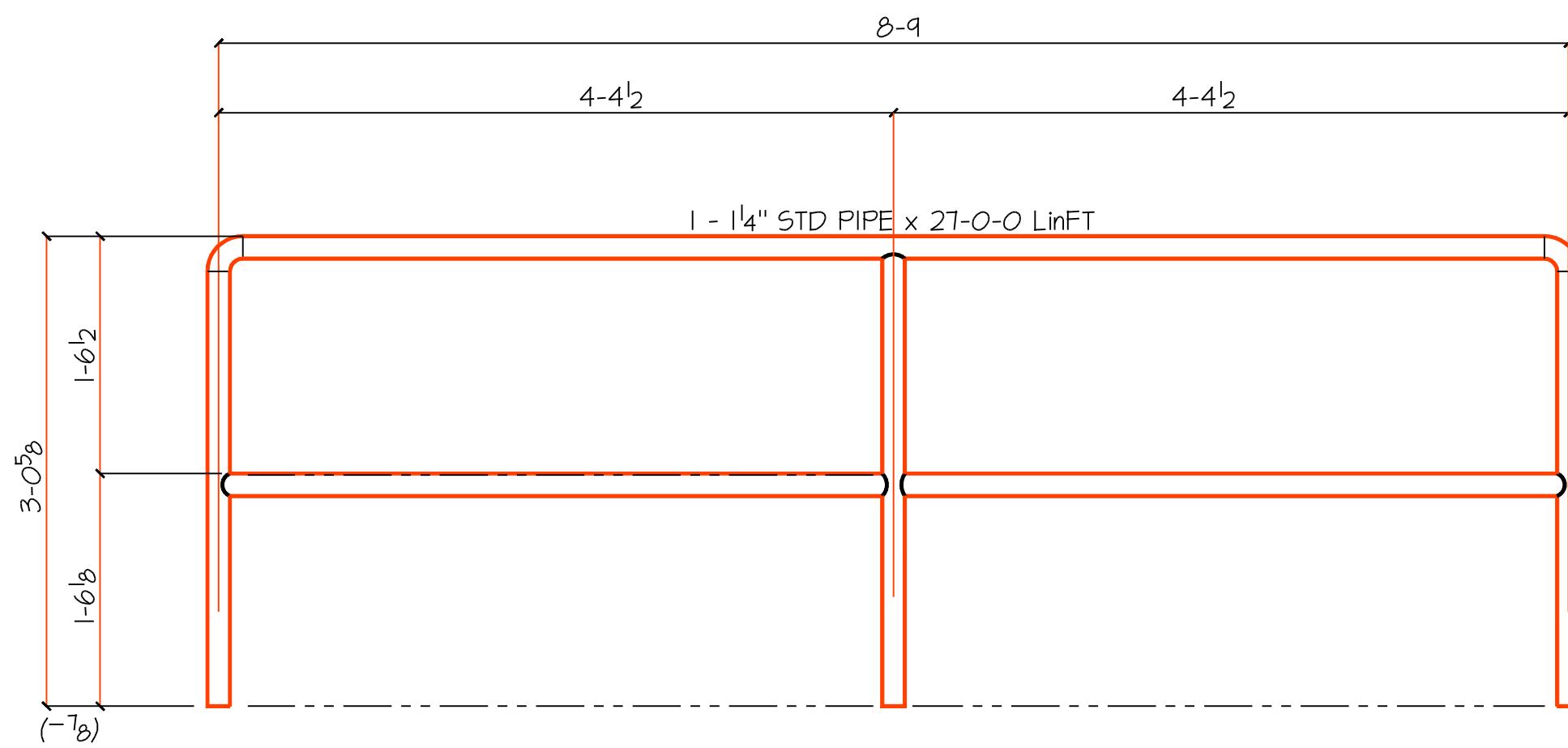
REF DWG: E2 & C6101, S202

- UNLESS NOTED OTHERWISE -	
3/16" FILLETS	MATERIAL GRADE SHELL BE <u>A36</u> U.N.O.
13/16" OPEN HOLE	WF SHAPES <u>A992</u> TUBES <u>A501</u>
	CHANNELS <u>A572</u> PIPES <u>A501 or A53</u>
	COATING <u>One S/C Red Oxide Primer</u>

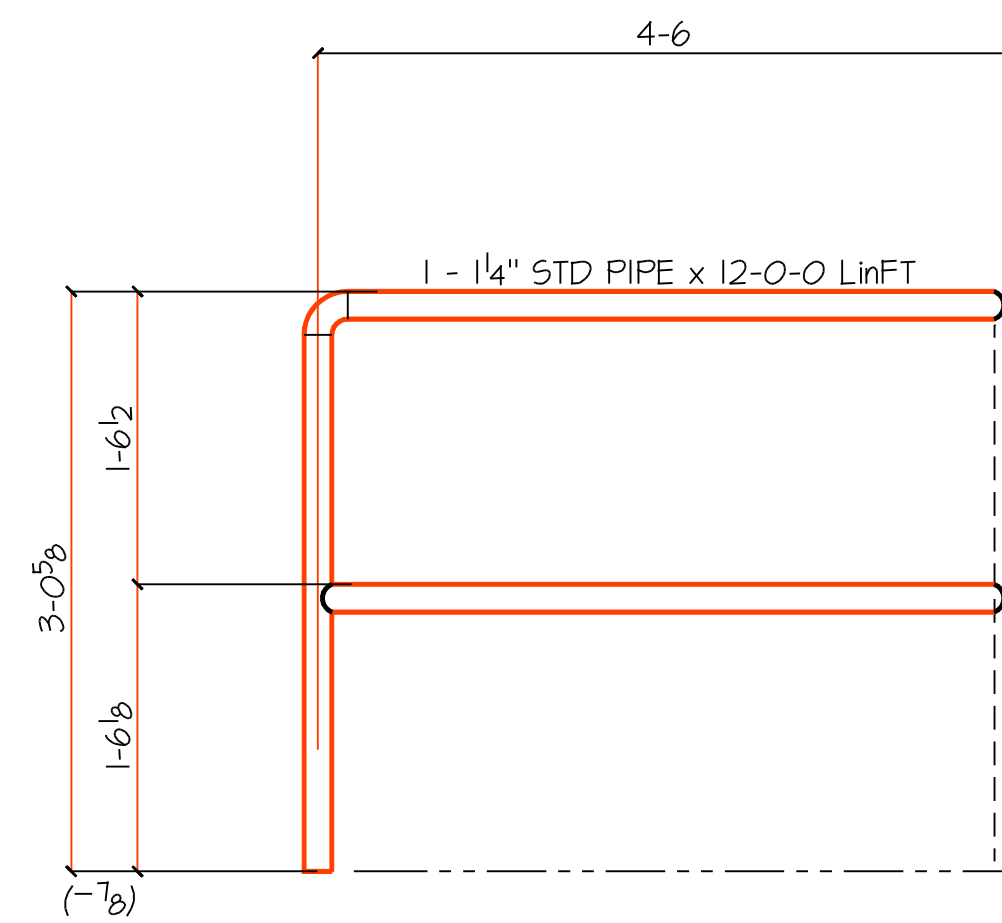
**AWF**

DETAILS OF Hand Rails At Ramp  
 PROJECT AT&T Science Facility  
 LOCATION ?  
 CUSTOMER ?  
 ARCHITECT ?  
 ENGINEER ?

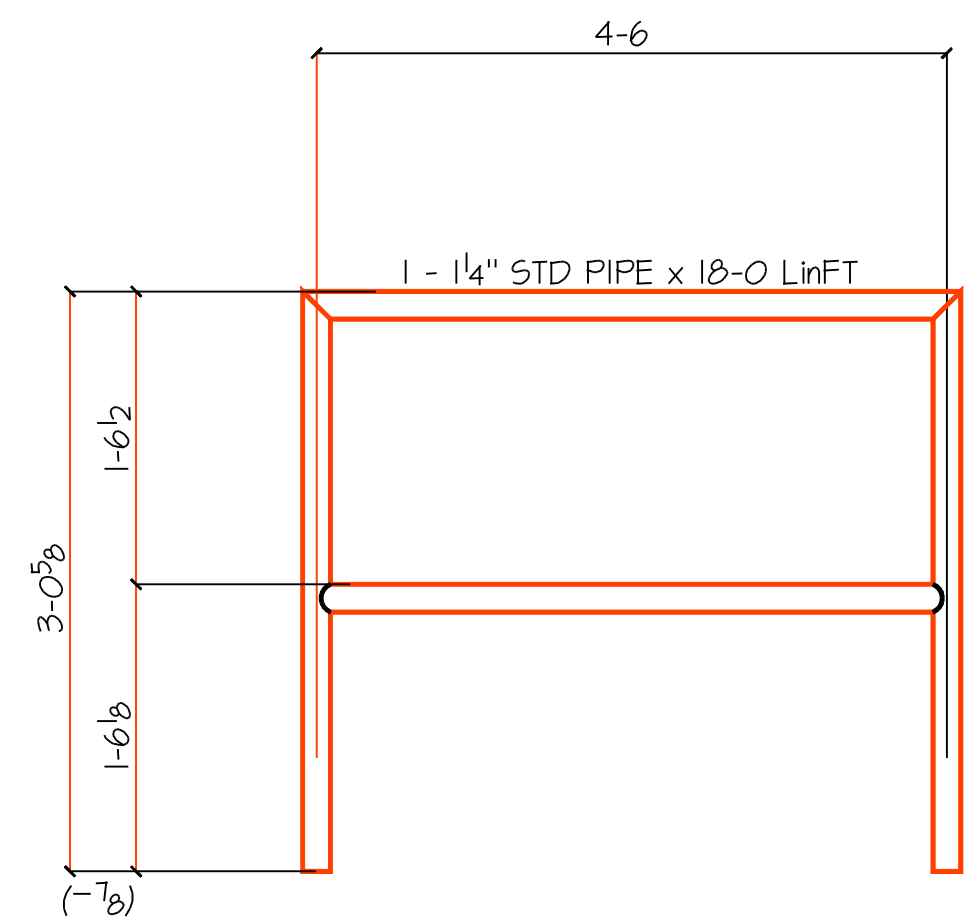
DETAIL DR 1-31-08 SHOP CODE SHEET # REV #  
 CHK.R AT&T Science **D4**  
 FN: atsc-00.dwg



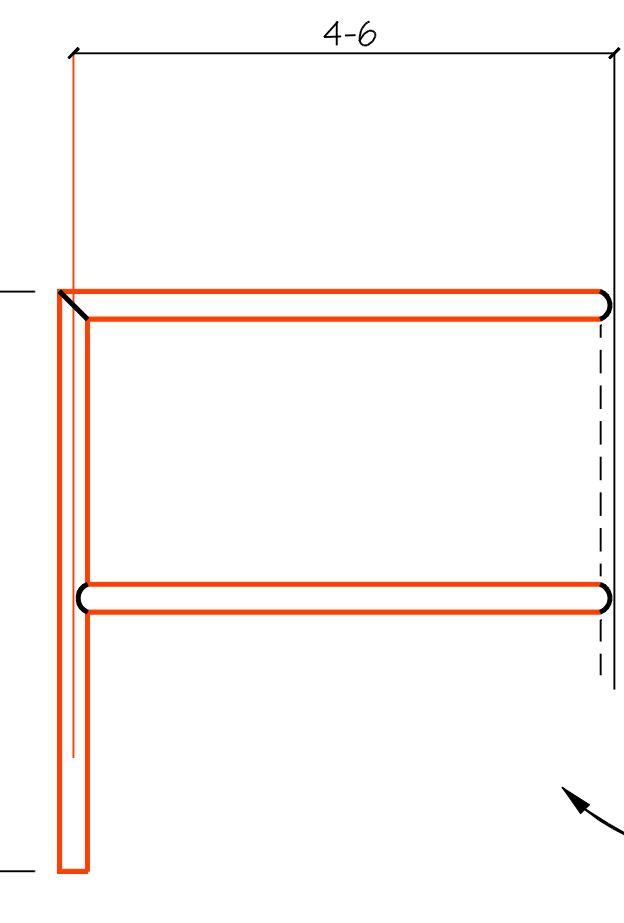
**1 Handrail MK: 5HR1**



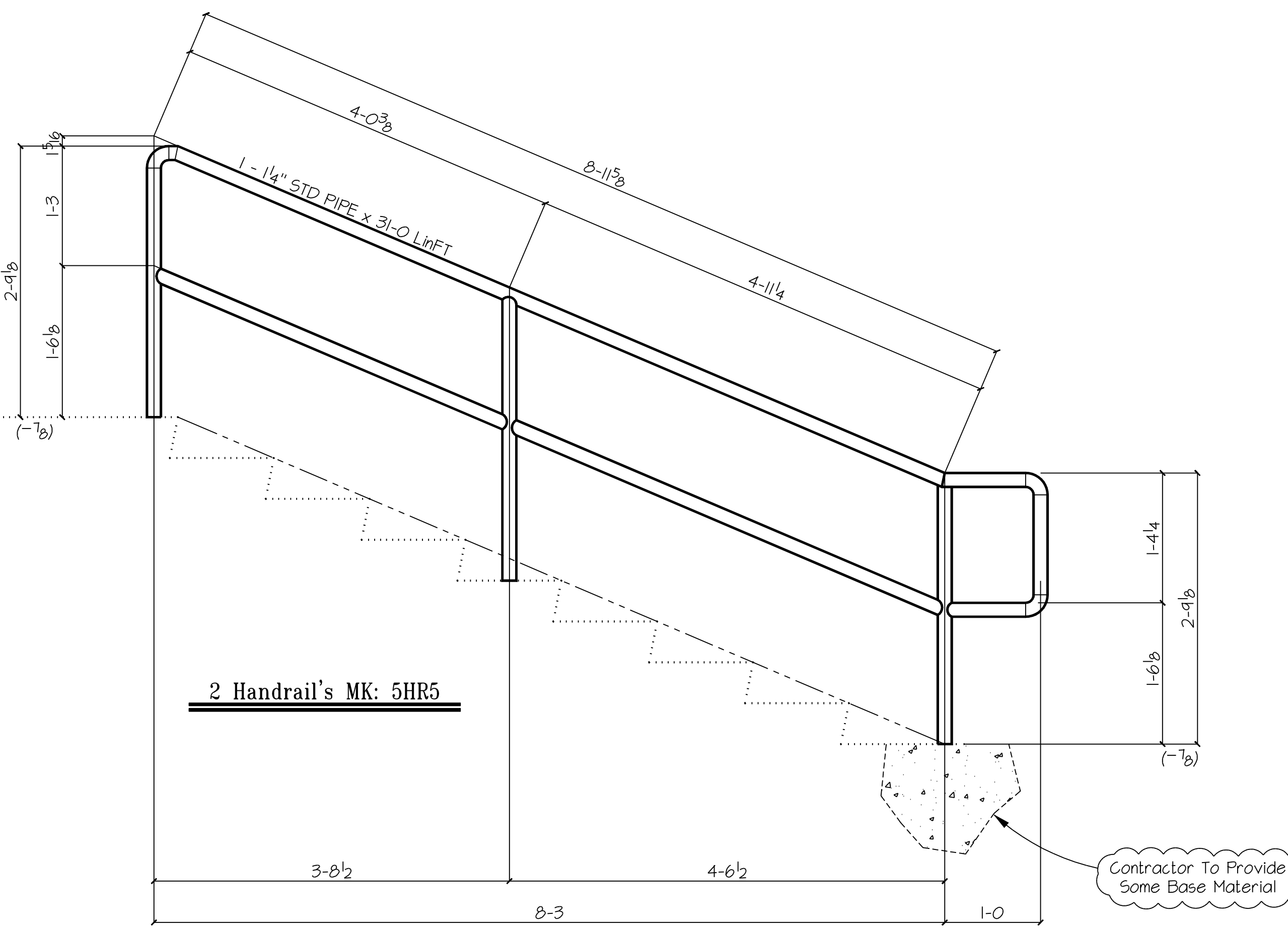
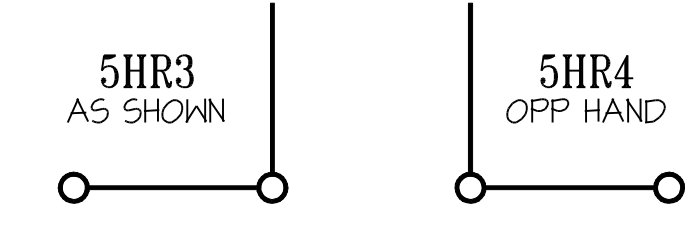
**1 Handrail MK: 5HR2**



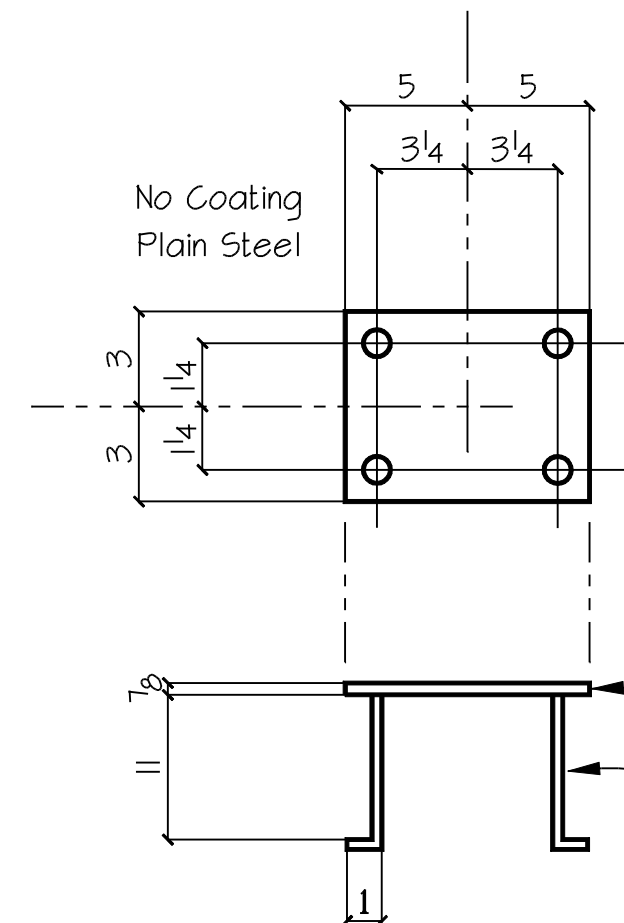
**2 Handrail's MK: 5HR3**  
FABRICATE AS SHOWN



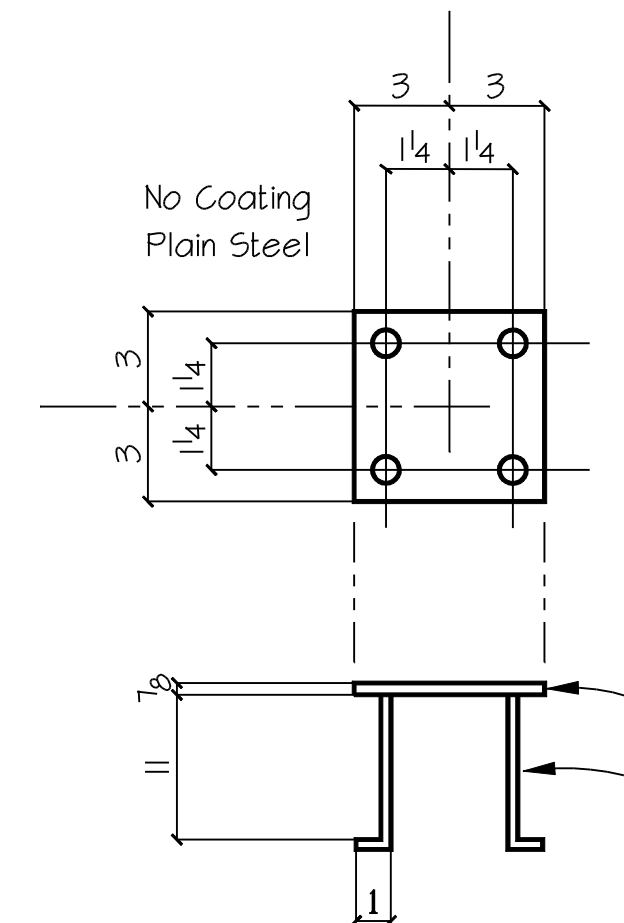
**1 Handrail's MK: 5HR4**  
FABRICATE OPP HAND



**2 Handrail's MK: 5HR5**



**19 Embed Plate MK: 4EP1**  
Ref CGI01 @ Ramp



**17 Embed Plate MK: 4EP2**  
Ref CGI01 @ Ramp

- DESCRIPTION OF REVISIONS MADE TO DRAWING -	
1	
2	
3	
4	

- UNLESS NOTED OTHERWISE -	
3/16" FILLETS	MATERIAL GRADE SHELL BE <u>A36</u> U.N.O.
13/16" OPEN HOLE	WF SHAPES <u>A992</u> TUBES <u>A501</u>
	CHANNELS <u>A572</u> PIPES <u>A501 or A53</u>
	COATING <u>One S/C Red Oxide Primer</u>

**AWF**

DETAILS OF Hand Rails At Ramp  
 PROJECT AT&T Science Facility  
 LOCATION ?  
 CUSTOMER ?  
 ARCHITECT ?  
 ENGINEER ?

DETAIL DR 1-31-08 SHOP CODE SHEET # REV #  
 CHK.R AT&T Science **D4**  
 FN: atsc-D0.dwg

REF DWG E2 & CGI01, S202